

[54] **STORAGE CART**
 [75] **Inventor: Richard S. Dunchock, South Laguna, Calif.**
 [73] **Assignee: Troy Marketing Corporation, Troy, Mich.**
 [*] **Notice:** The portion of the term of this patent subsequent to Dec. 6, 2002 has been disclaimed.
 [**] **Term: 14 Years**
 [21] **Appl. No.: 267,789**
 [22] **Filed: Nov. 7, 1988**

3,693,996	9/1972	Hardy	280/47.34
3,746,358	7/1973	Swick, Jr. et al.	280/36 R
3,946,876	3/1976	Jay	211/60 R
3,949,528	4/1976	Hartger et al.	52/79
3,953,047	4/1976	Morgan	280/639
4,085,844	4/1978	Dunchock	206/335
4,326,726	4/1982	Dunchock	280/79.1 A

Primary Examiner—Kay H. Chin
Attorney, Agent, or Firm—Basile and Hanlon

[57] **CLAIM**

The ornamental design for a storage cart, as shown and described.

DESCRIPTION

FIG. 1 is a top perspective view of a storage cart showing my new design;
 FIG. 2 is a front elevational view thereof;
 FIG. 3 is a rear elevational view thereof;
 FIG. 4 is a right side elevational view thereof, the left side elevational view being a mirror image of that shown;
 FIG. 5 is a top plan view thereof;
 FIG. 6 is a bottom plan view thereof;
 FIG. 7 is a top perspective view of a second embodiment of the storage cart;
 FIG. 8 is a front elevational view of FIG. 7;
 FIG. 9 is a rear elevational view of FIG. 7;
 FIG. 10 is a right side elevational view of FIG. 7, the left side elevational view being a mirror image of that shown;
 FIG. 11 is a top plan view of FIG. 7;
 FIG. 12 is a bottom plan view of FIG. 7;
 FIG. 13 is a top perspective view of a third embodiment of the storage cart;
 FIG. 14 is a front elevational view of FIG. 13;
 FIG. 15 is a rear elevational view of FIG. 13;
 FIG. 16 is a right side elevational view of FIG. 13, the left side elevational view being a mirror image of that shown;
 FIG. 17 is a top plan view of FIG. 13; and
 FIG. 18 is a bottom plan view of FIG. 13.

Related U.S. Application Data

[63] Continuation-in-part of Ser. No. 929,675, Nov. 12, 1986, abandoned, and a continuation-in-part of Ser. No. 58,254, Jun. 4, 1987, abandoned, and a continuation-in-part of Ser. No. 220,992, Jul. 13, 1988, Pat. No. 4,867,465.

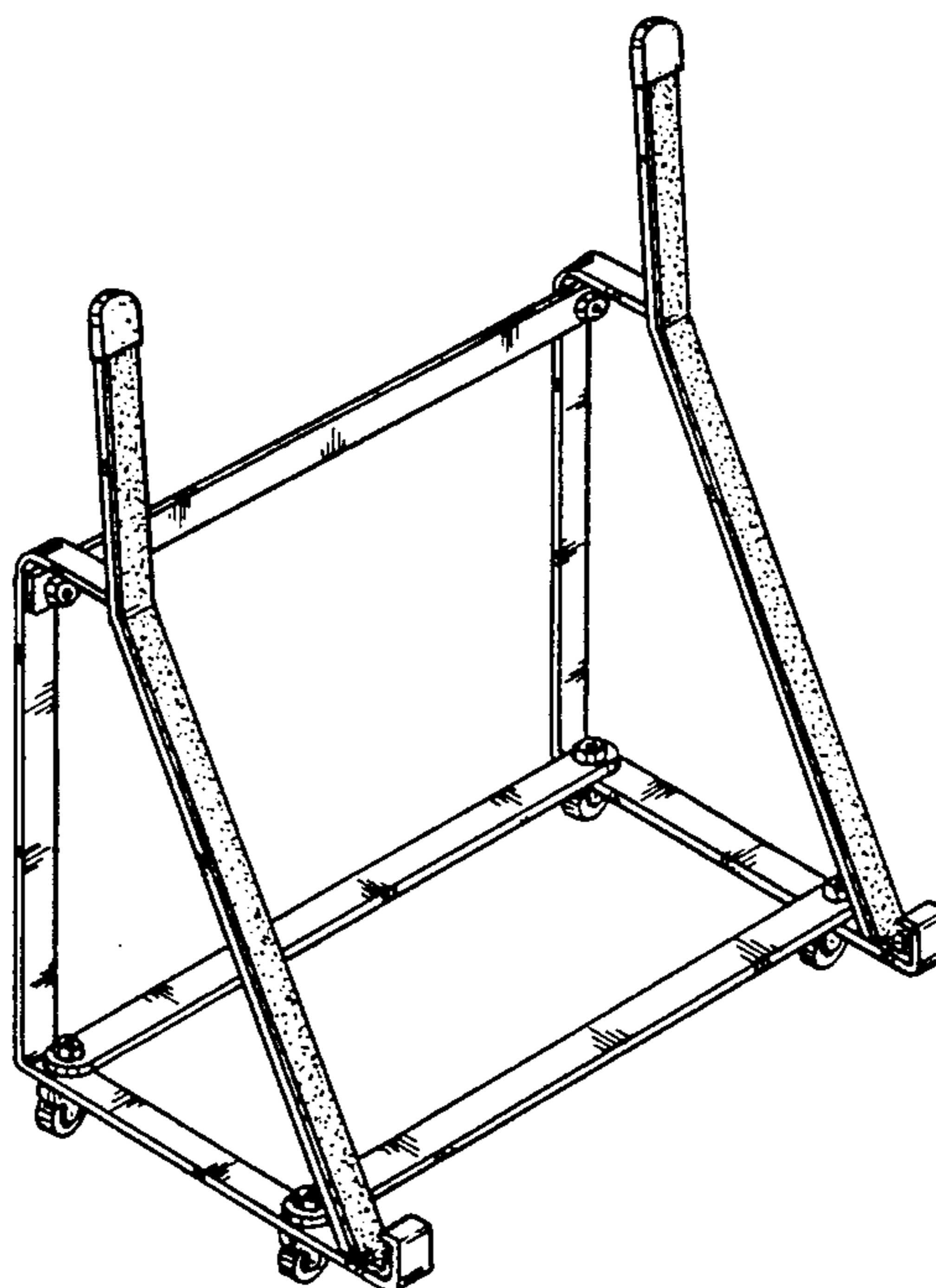
[52] **U.S. Cl.** D34/17; D6/462

[58] **Field of Search** D34/17, 23; D6/462; 280/79.11, 79.3, 47.34; 248/129, 176

[56] **References Cited**

U.S. PATENT DOCUMENTS

D. 232,625	9/1974	Shiflet	D34/17
D. 237,597	11/1975	Clarke et al.	D34/17
D. 265,517	7/1982	Dunchock	D34/17
D. 288,739	3/1987	Johnson, Jr. et al.	D34/17
D. 298,878	12/1988	Dunchock	D34/17
D. 300,071	2/1989	Dunchock	D34/17
2,377,023	5/1945	Milburn et al.	248/119
2,466,149	4/1949	Burg	280/57
2,681,233	6/1954	Smith	280/79.3
2,886,339	5/1959	Buttles	280/42
2,916,293	12/1959	Lang	280/79.3
2,980,438	4/1961	Baer	280/79.3
3,224,787	12/1965	Anderson	280/33.99
3,540,753	1/1969	Hanson	280/47.34



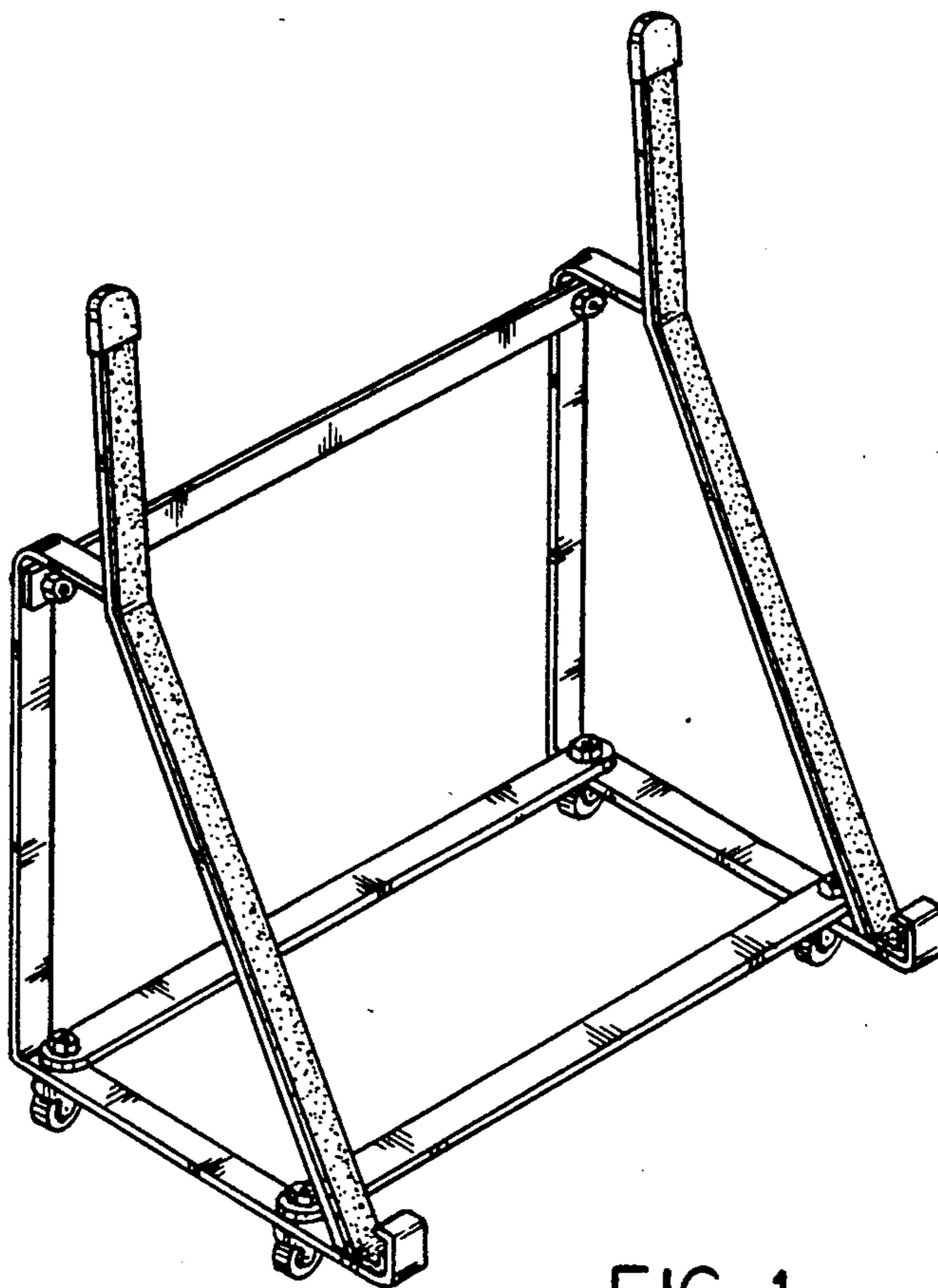


FIG-1

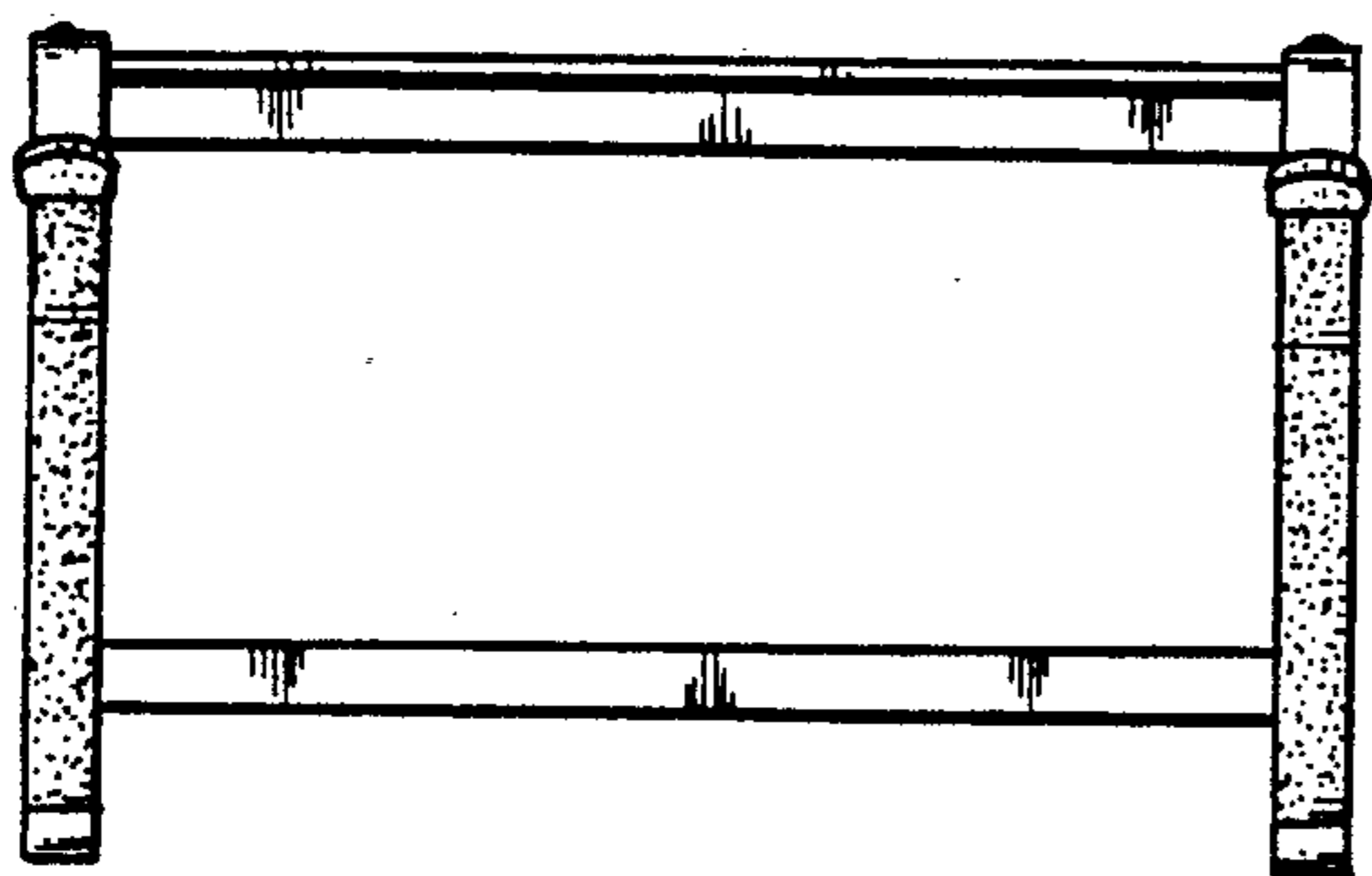


FIG-5

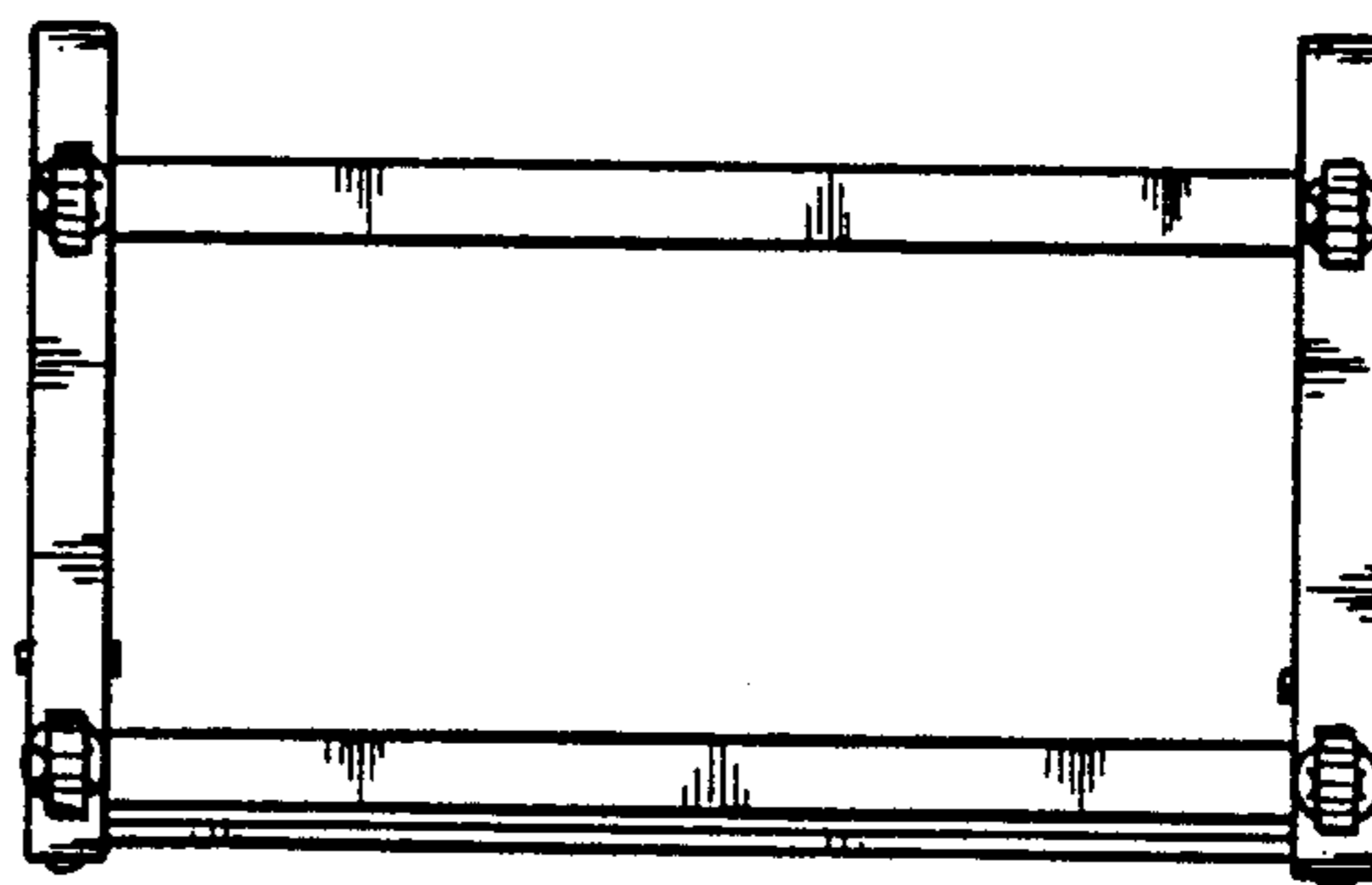


FIG-6

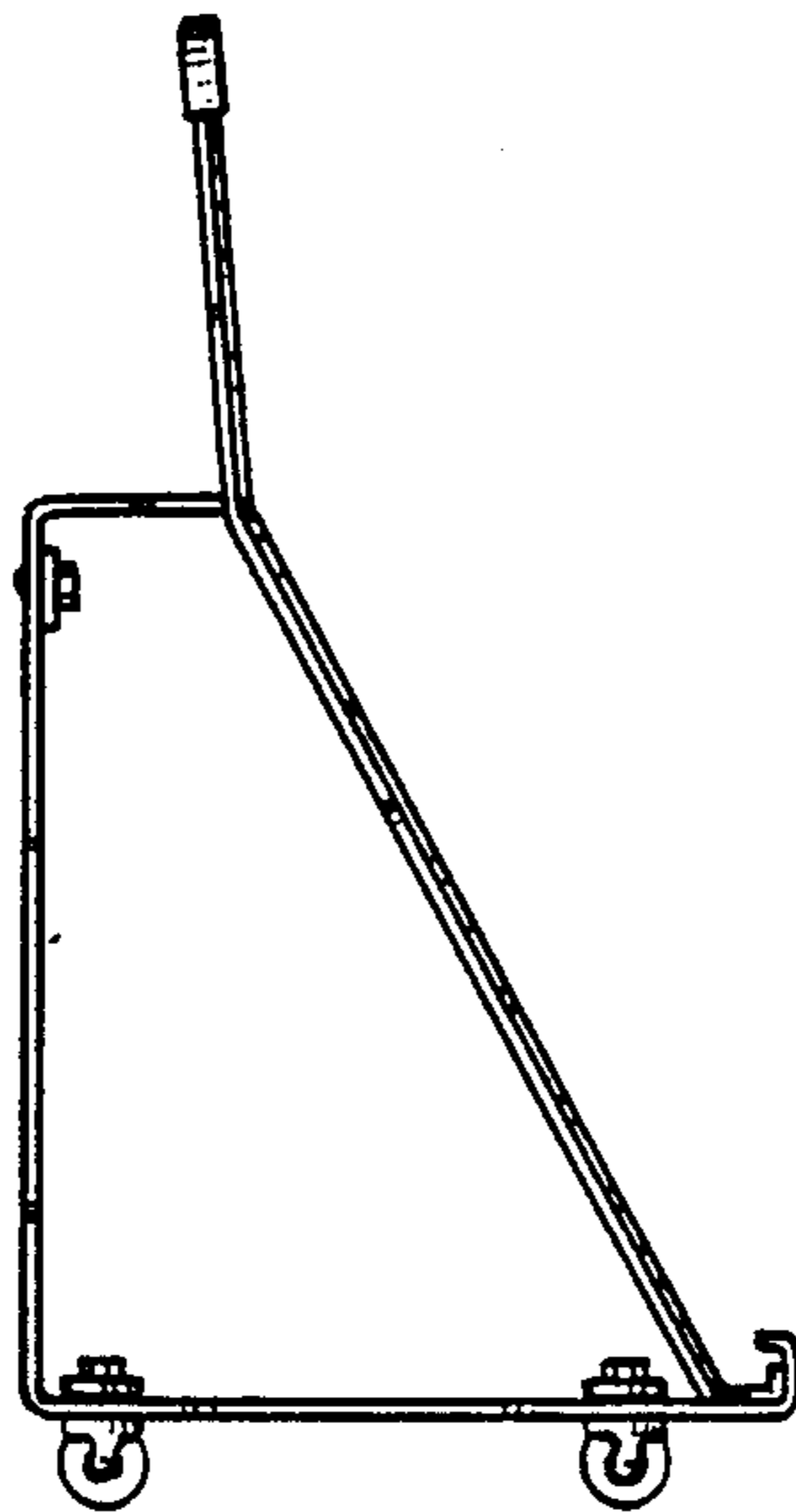


FIG - 4

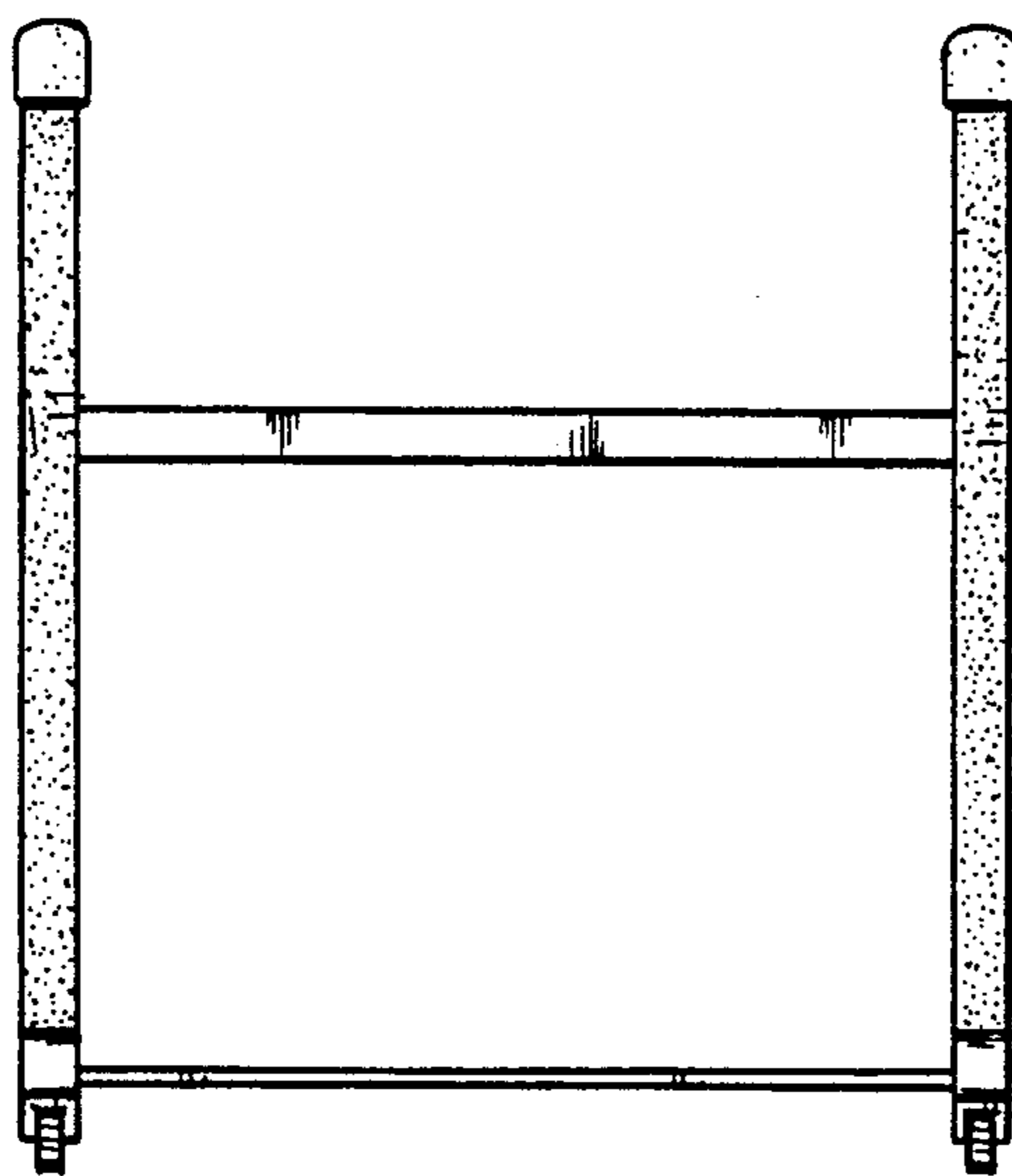


FIG-2

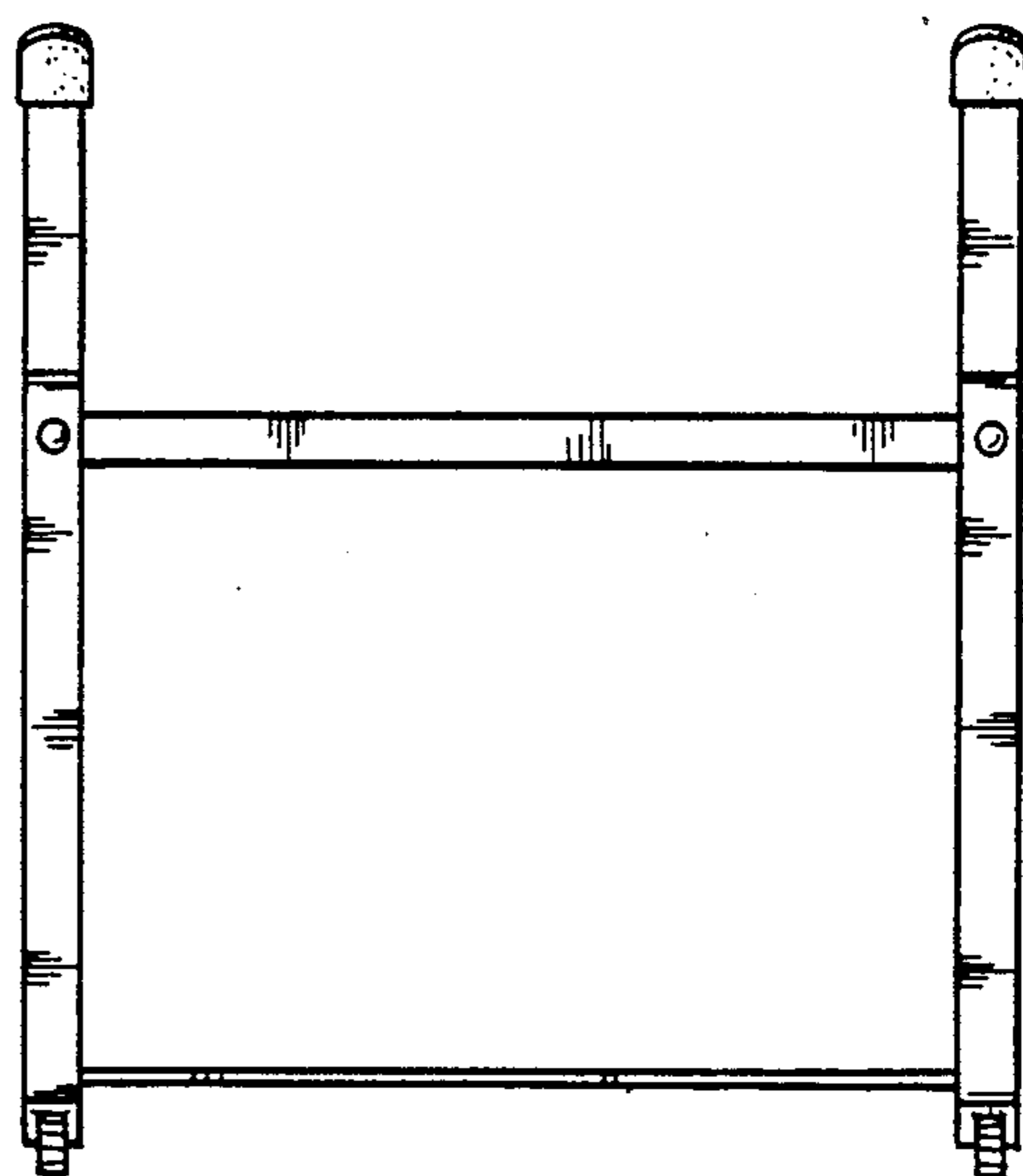


FIG-3

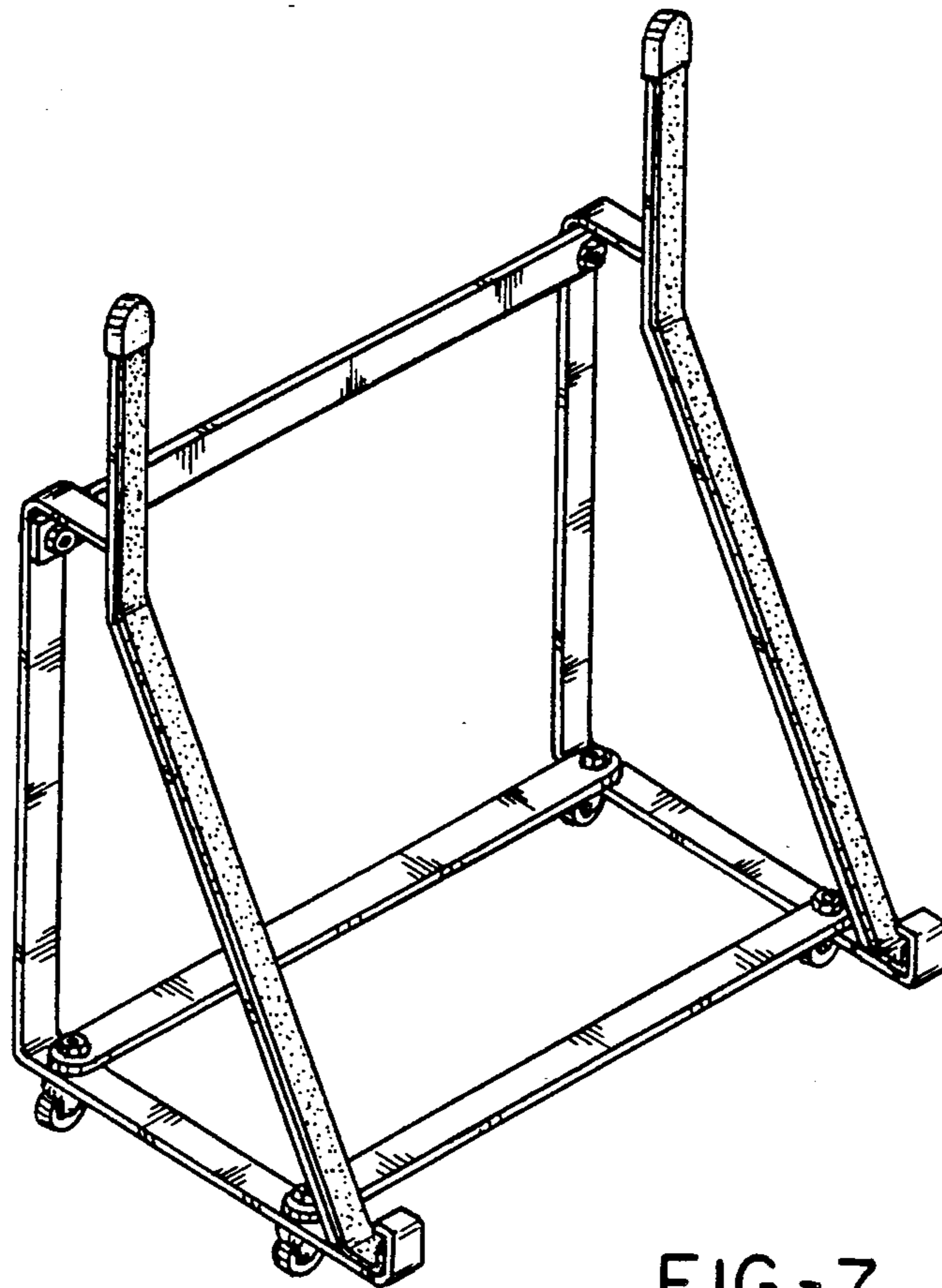


FIG-7

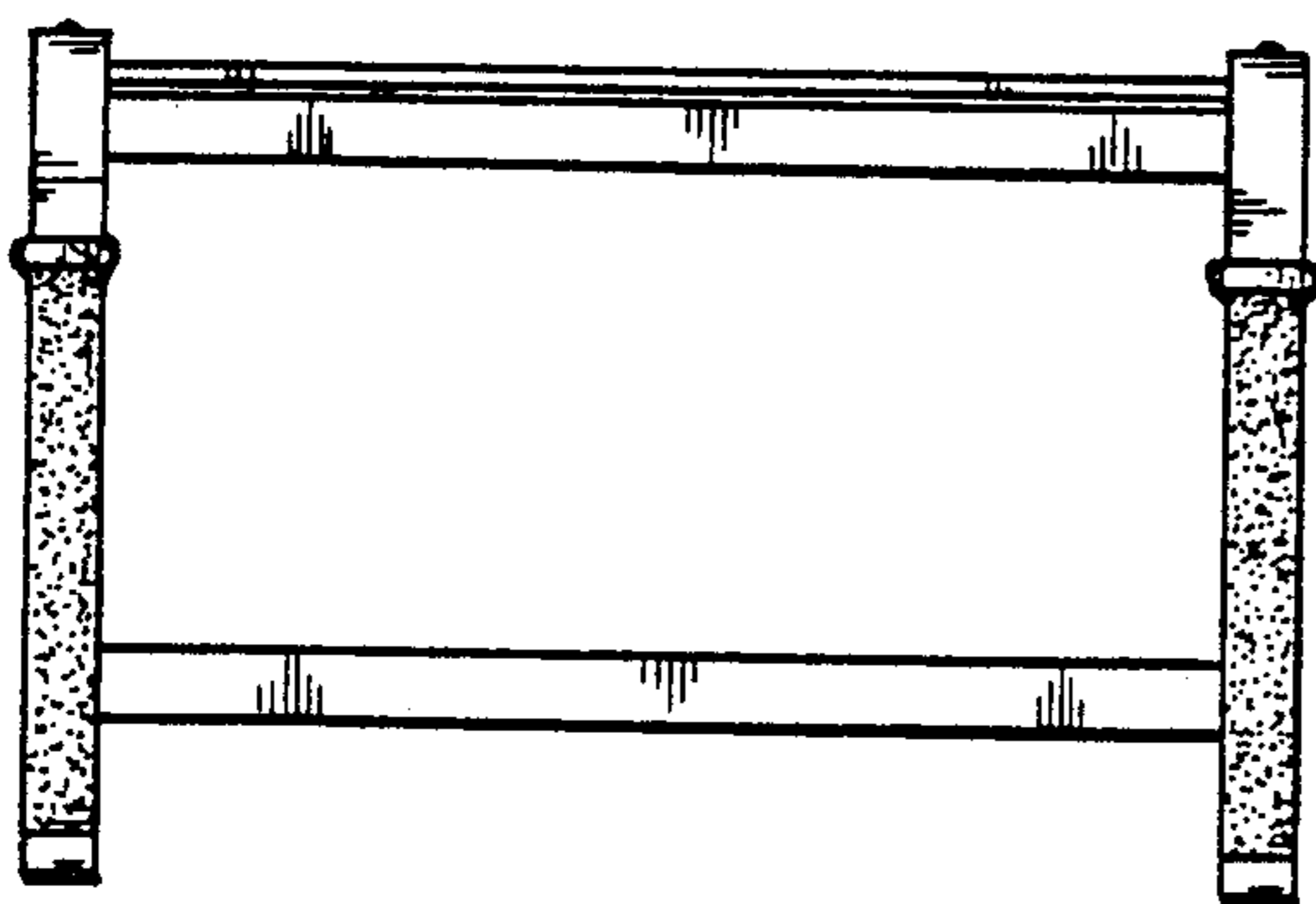


FIG-11

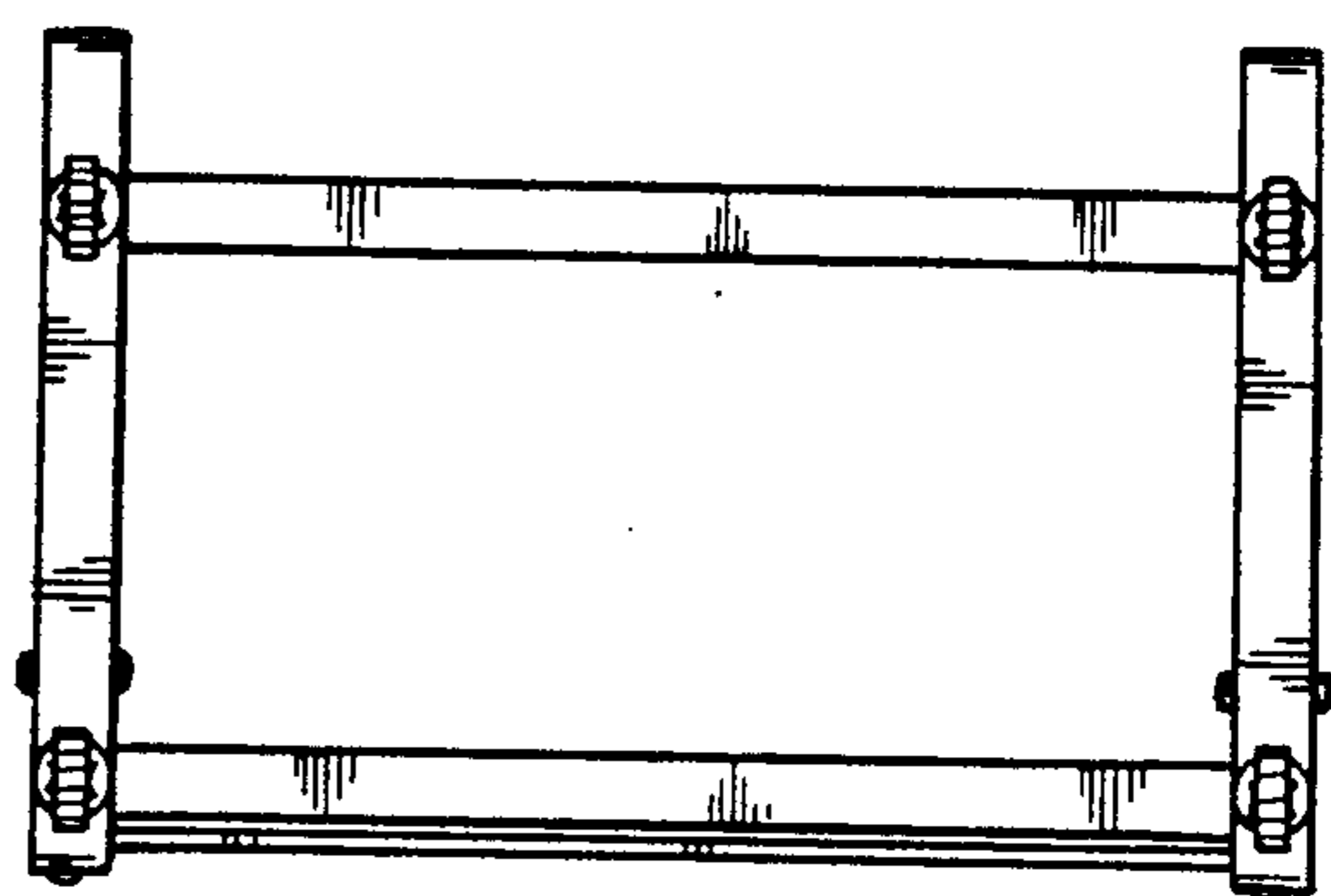


FIG-12

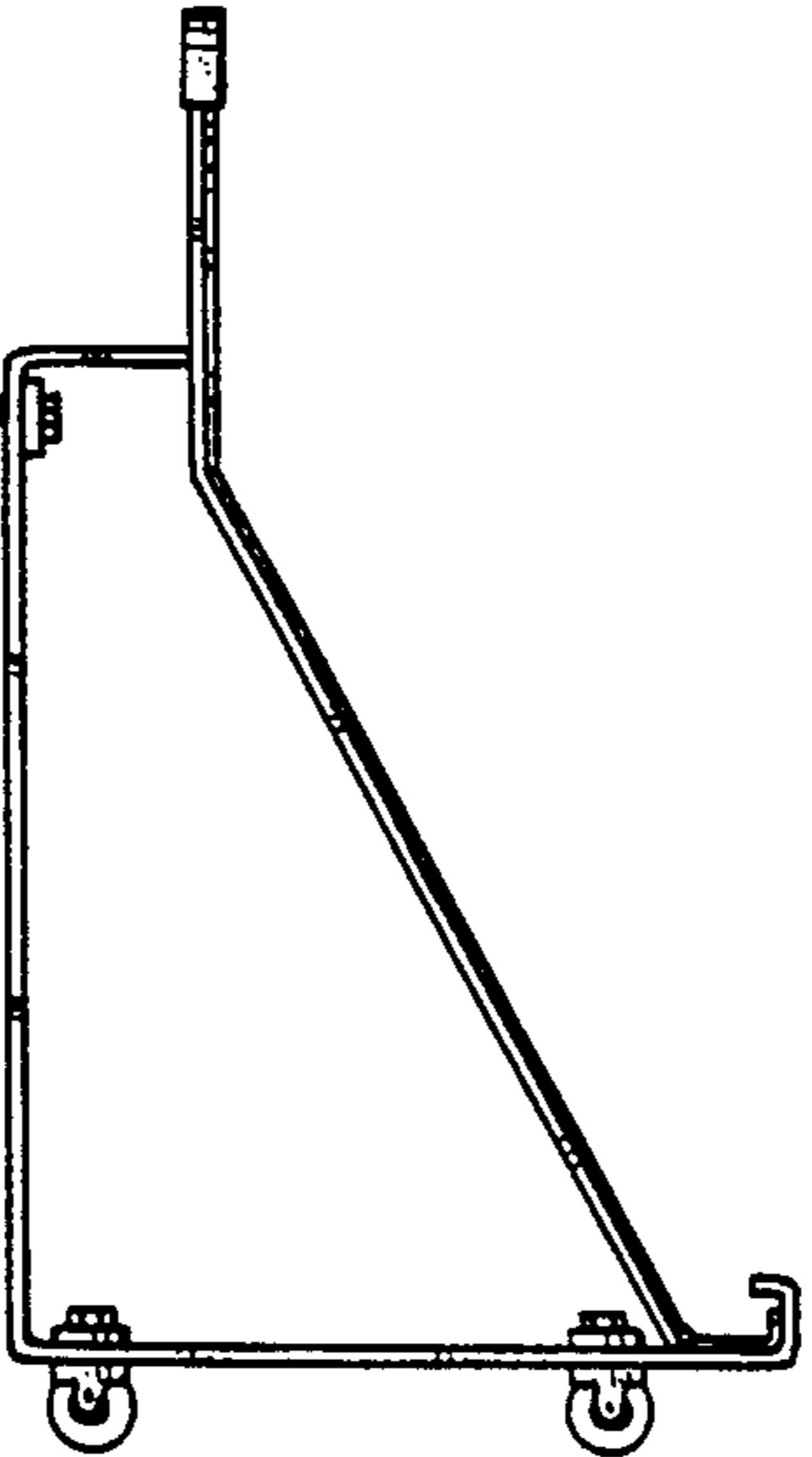


FIG-10

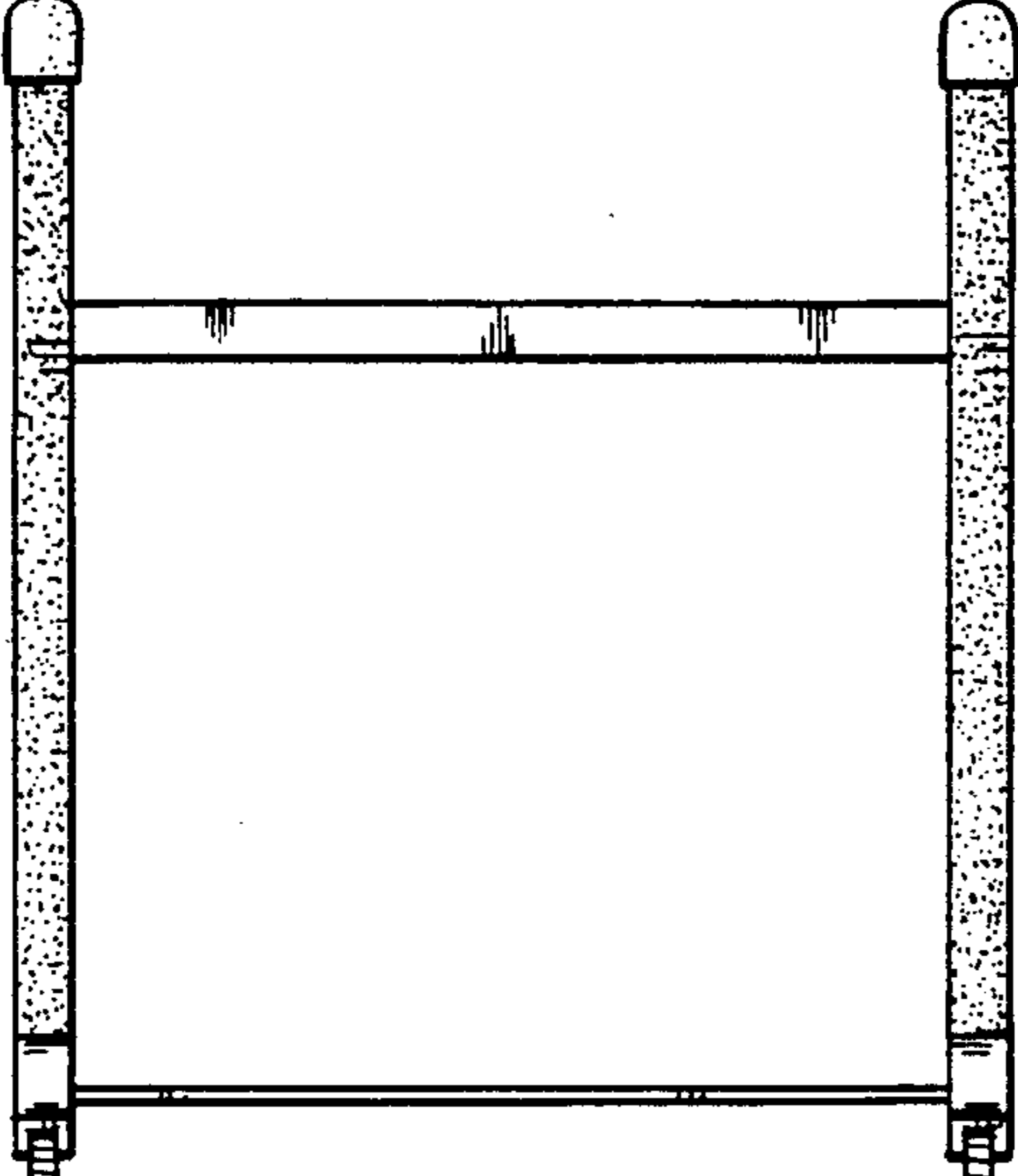


FIG-8

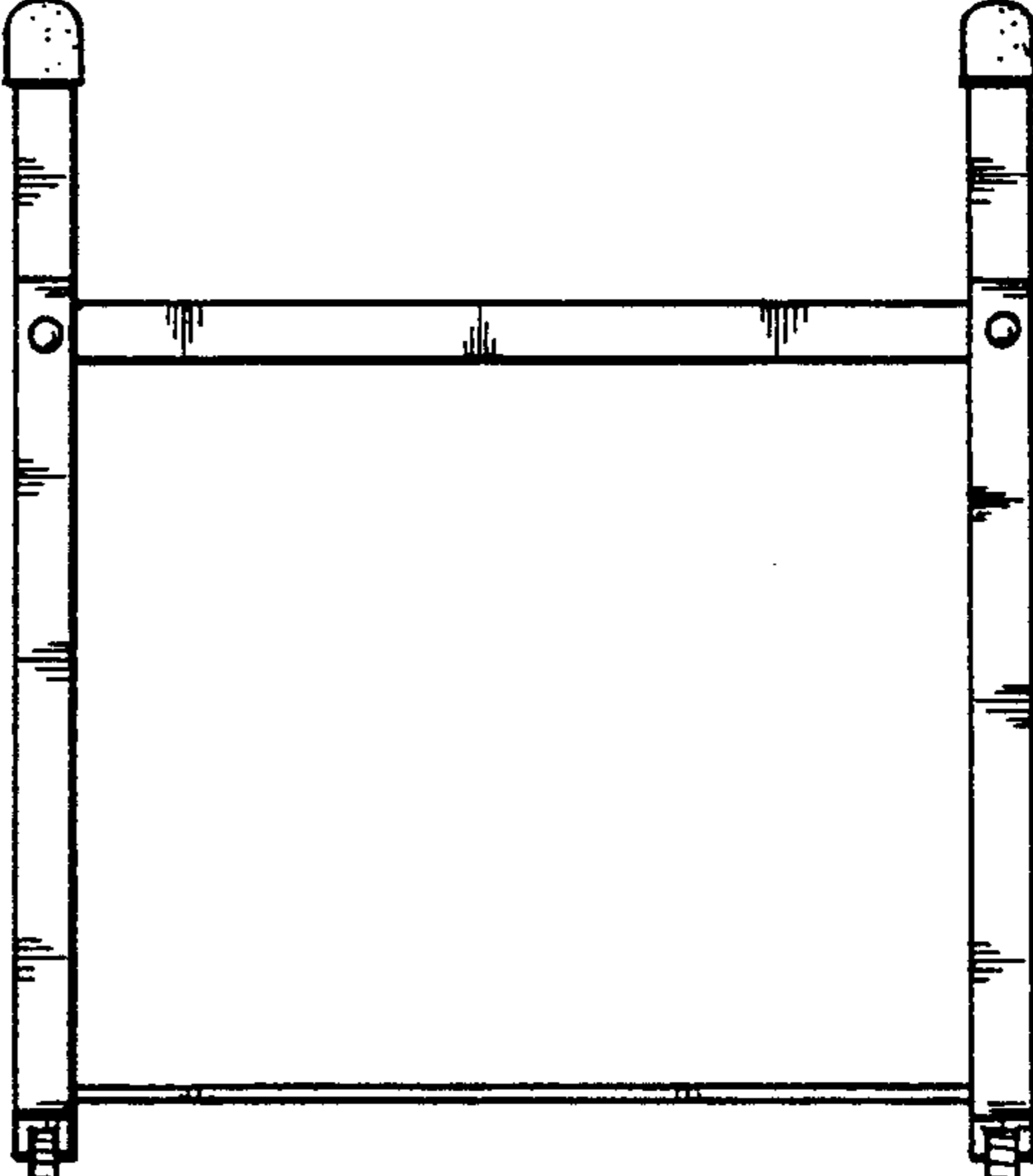


FIG-9

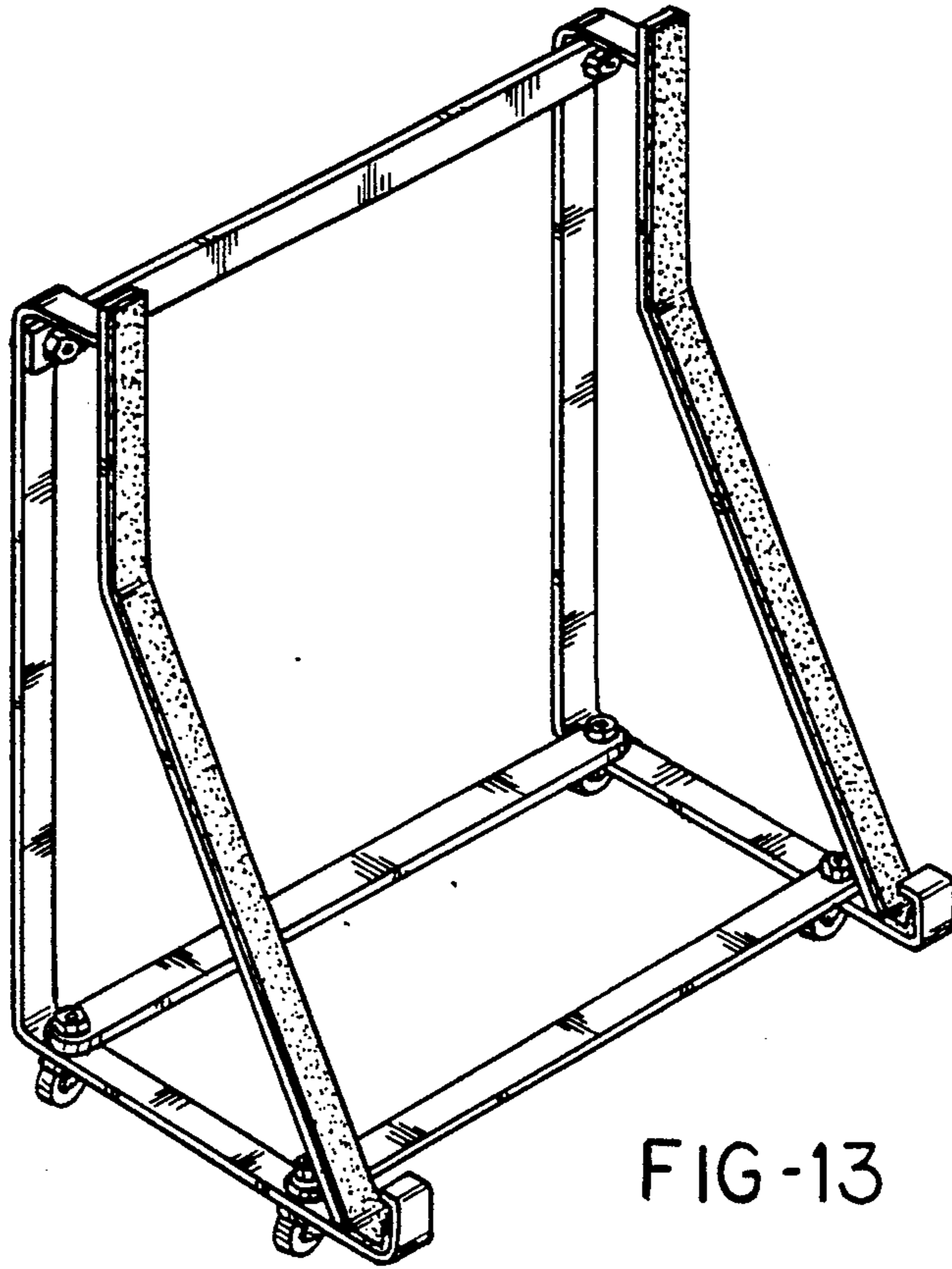


FIG-13

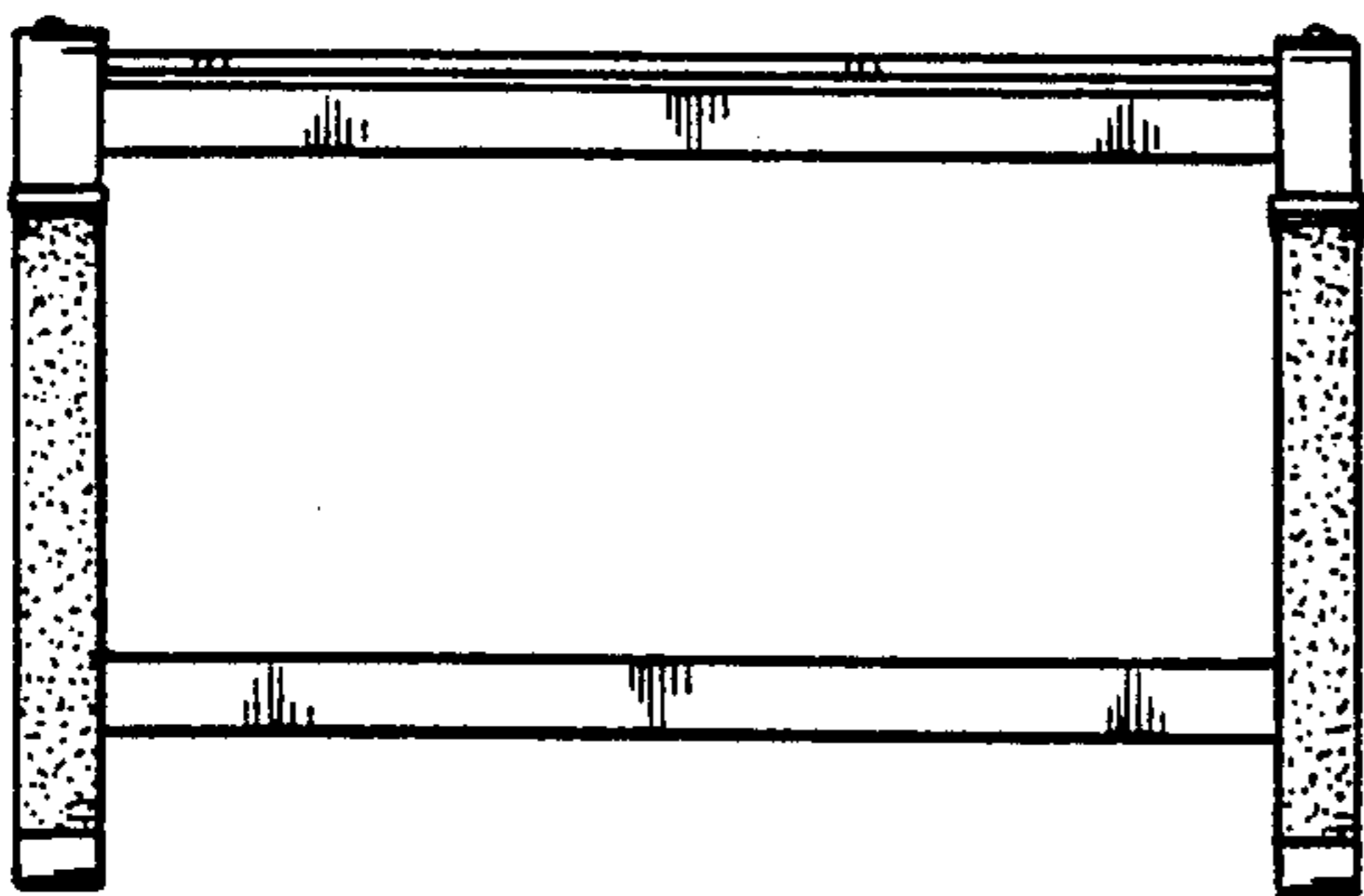


FIG-17

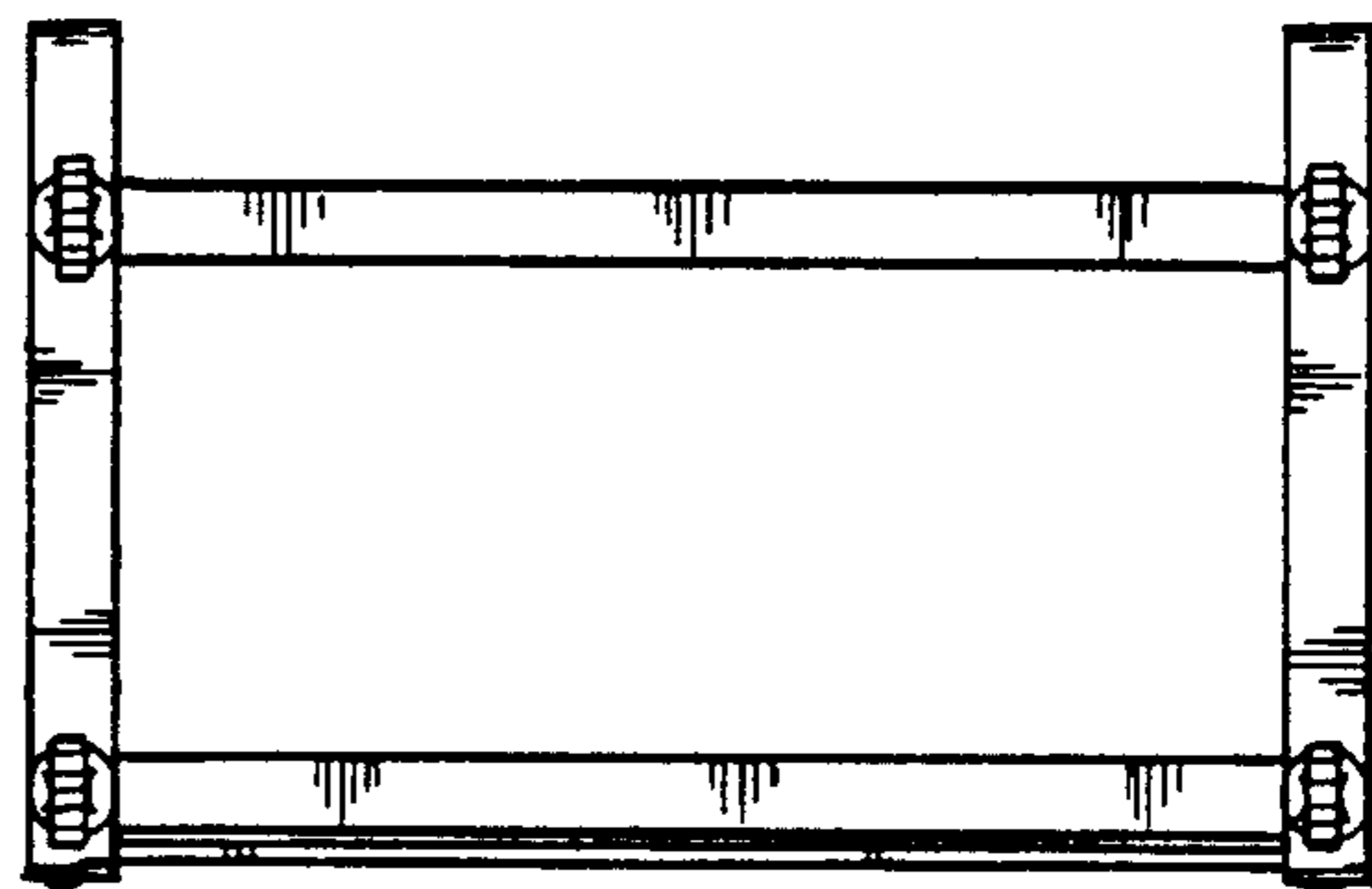


FIG-18

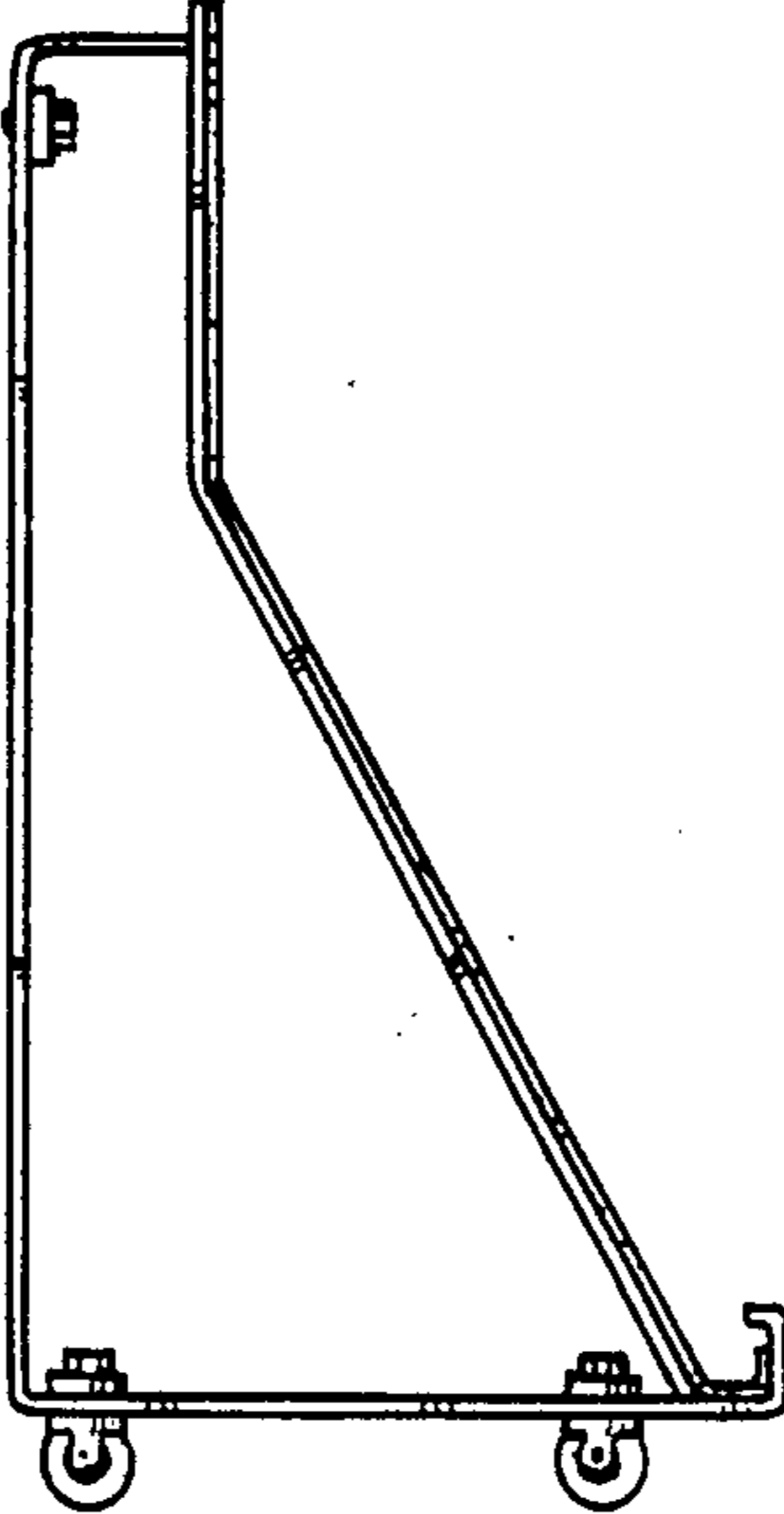


FIG-16

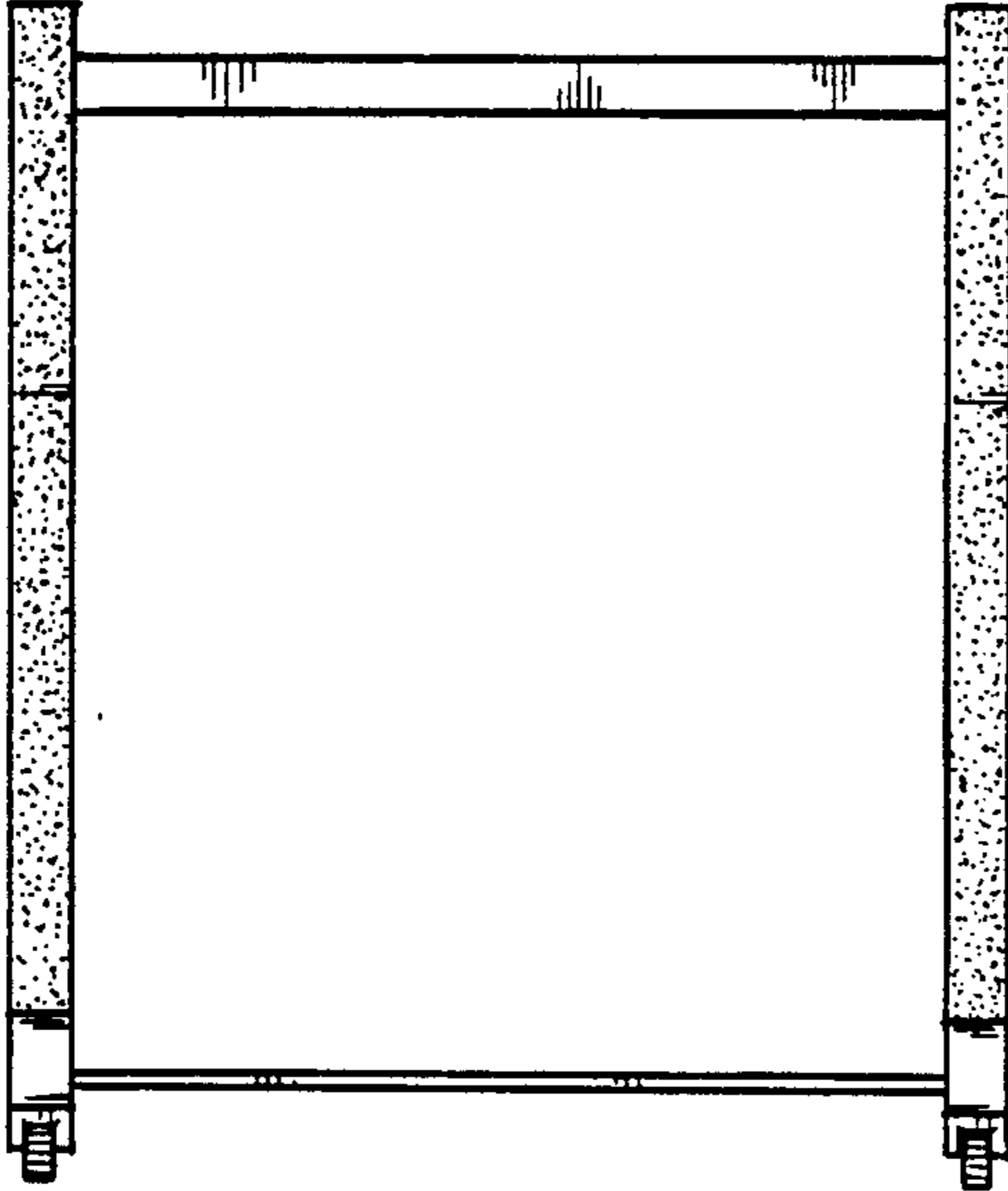


FIG-14

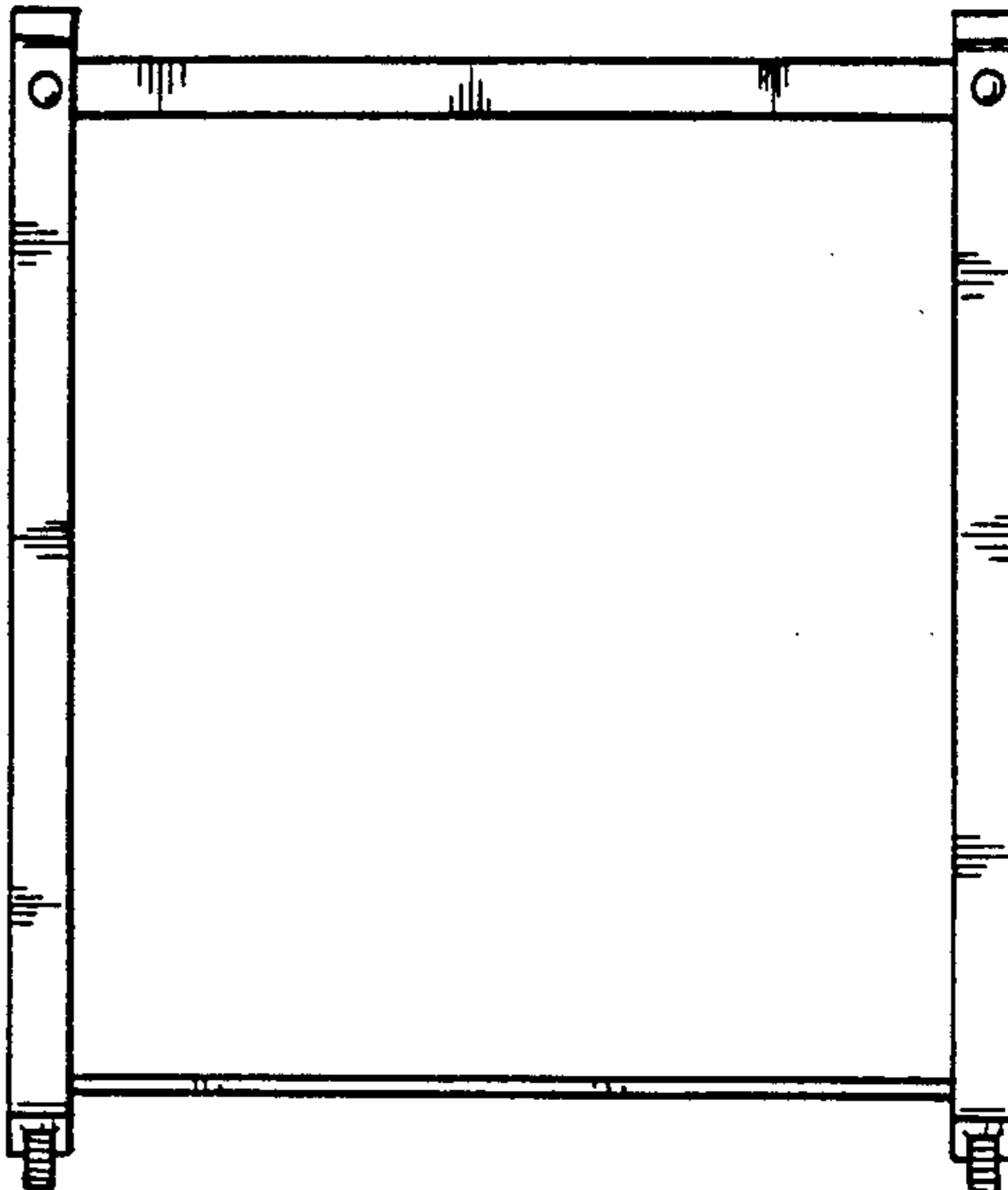


FIG-15