

[54] **VACUUM CLEANER HOSE CONNECTOR**
[75] **Inventor: Kazimir Földes, Holmvägen, Sweden**
[73] **Assignee: Aktiebolaget Electrolux, Stockholm, Sweden**
[**] **Term: 14 Years**
[21] **Appl. No.: 223,778**
[22] **Filed: Jul. 25, 1988**

[30] **Foreign Application Priority Data**
Feb. 9, 1988 [SE] Sweden 88-0292
[52] **U.S. Cl. D32/31**
[58] **Field of Search D32/15; 285/7; D23/262, D23/263, 266; 15/312 A, 314, 318, 339, 410-411, 415 R, 415 A, 416, 418-422, 143 R, 145, DIG. 10; 439/191**

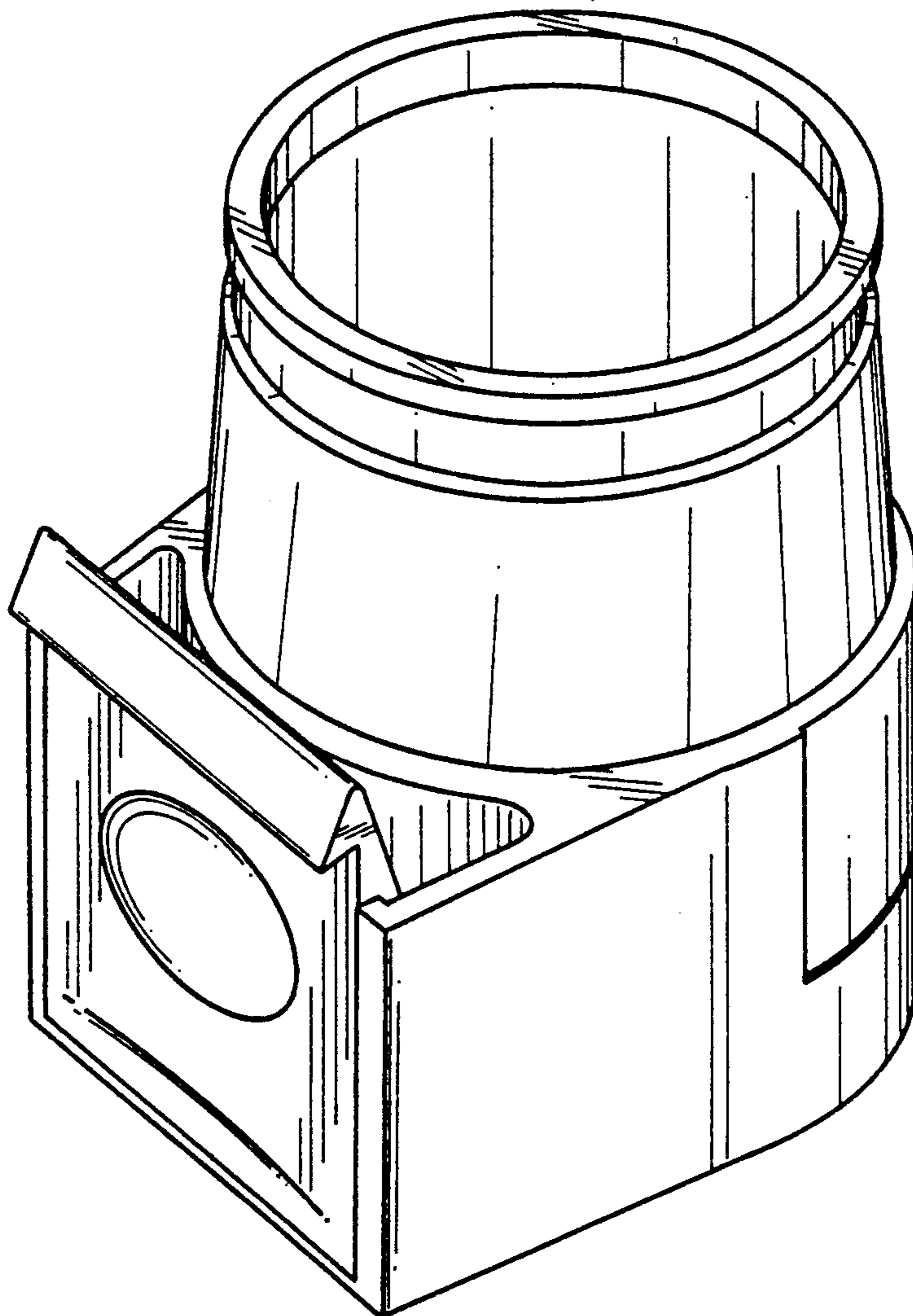
[56] **References Cited**
U.S. PATENT DOCUMENTS
3,034,085 5/1962 Pauler et al. 439/191

3,258,553 6/1966 Breslin 439/191
3,314,039 4/1967 Opper 285/7
4,385,790 5/1983 Genoa 439/191
4,449,737 5/1984 Specht 285/7
4,758,023 7/1988 Vermillion 285/7

Primary Examiner—A. Hugo Word
Assistant Examiner—Ruth McInroy
Attorney, Agent, or Firm—Pearne, Gordon, McCoy & Granger

[57] **CLAIM**
The ornamental design for a vacuum cleaner hose connector, as shown and described.

DESCRIPTION
FIG. 1 is a perspective view of a vacuum cleaner hose connector showing my new design;
FIG. 2 is a side elevational view thereof;
FIG. 3 is a top plan view thereof;
FIG. 4 is a bottom plan view thereof;
FIG. 5 is a front elevational view thereof; and
FIG. 6 is a rear elevational view thereof.



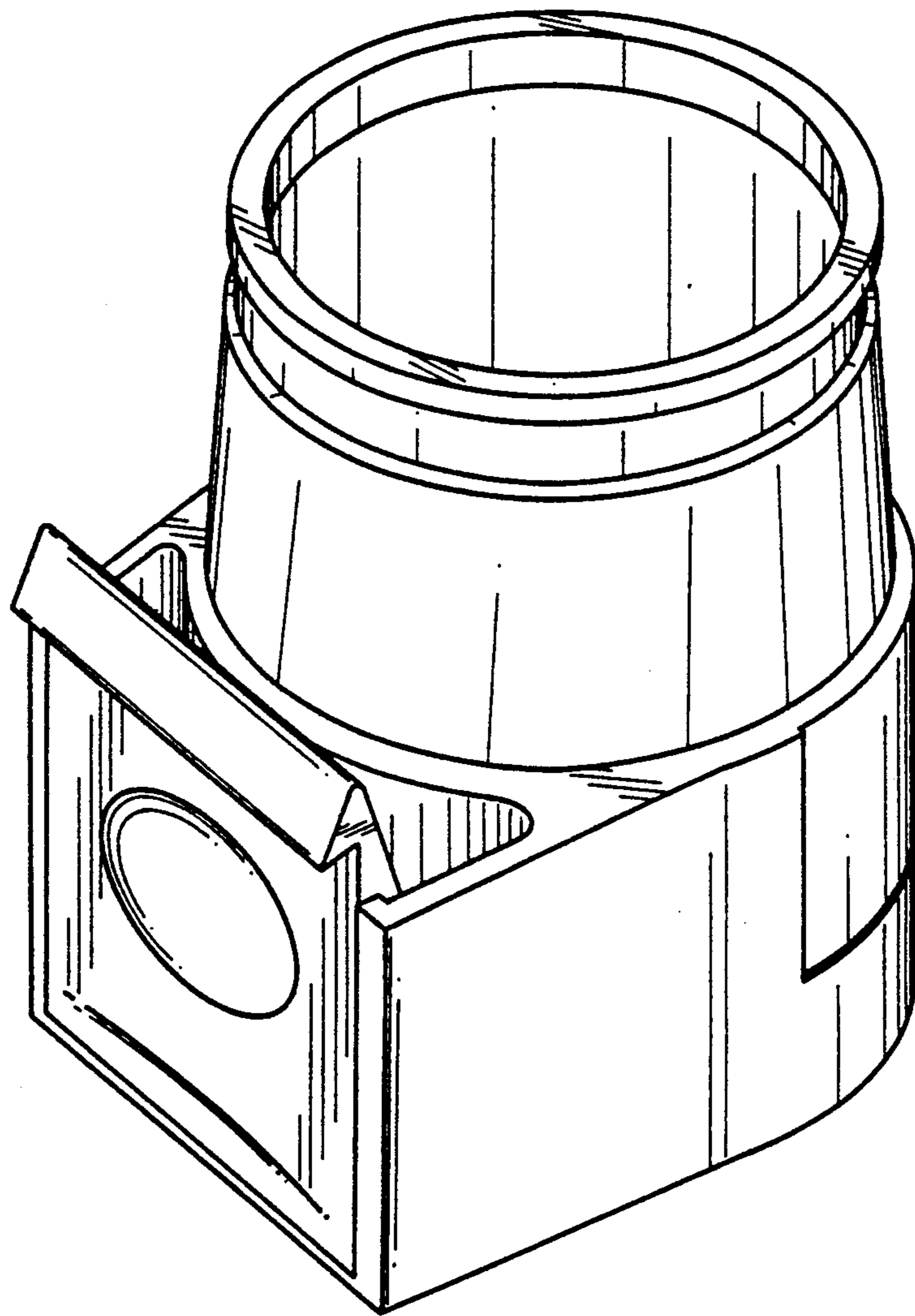


FIG. 1

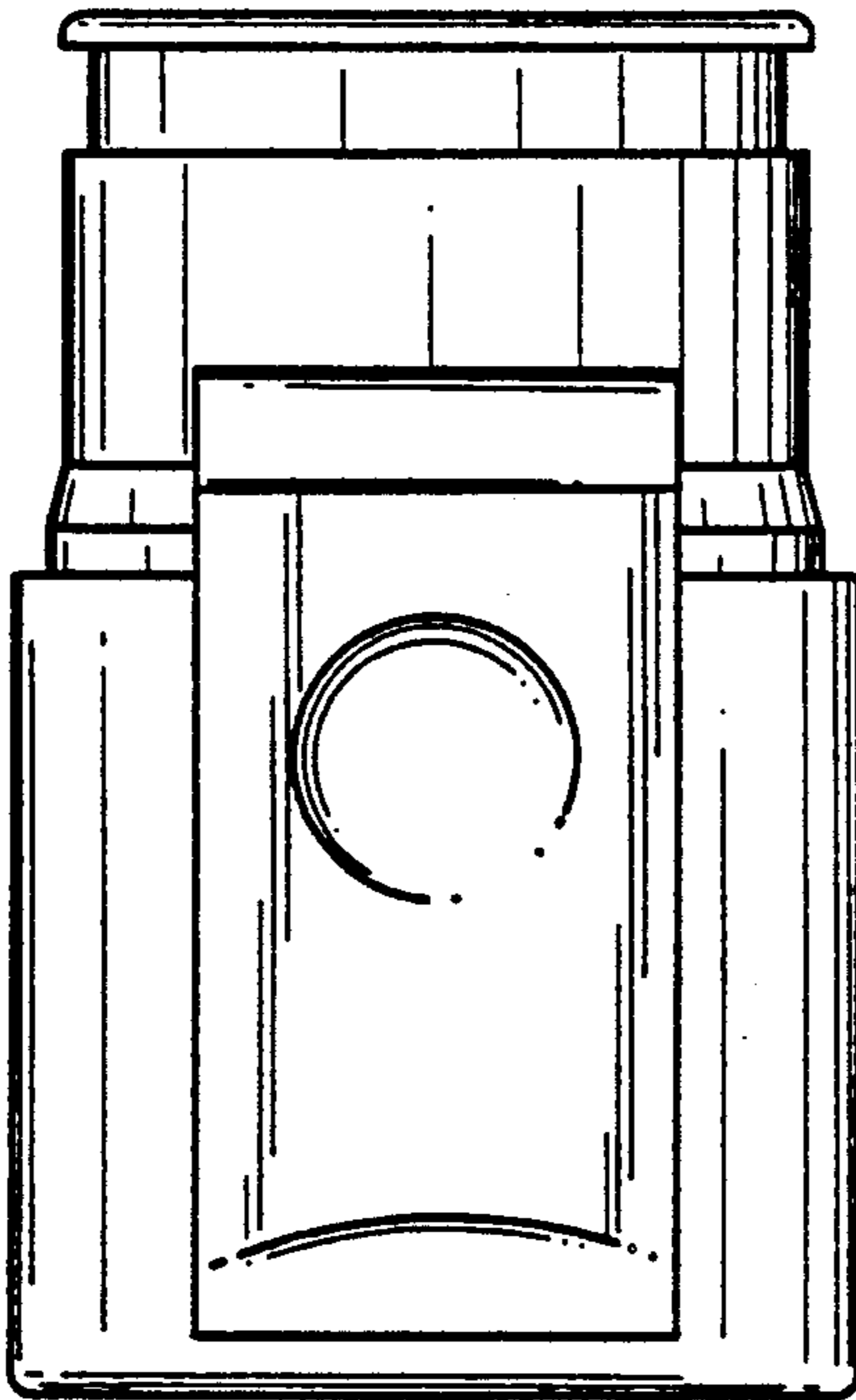


FIG. 3

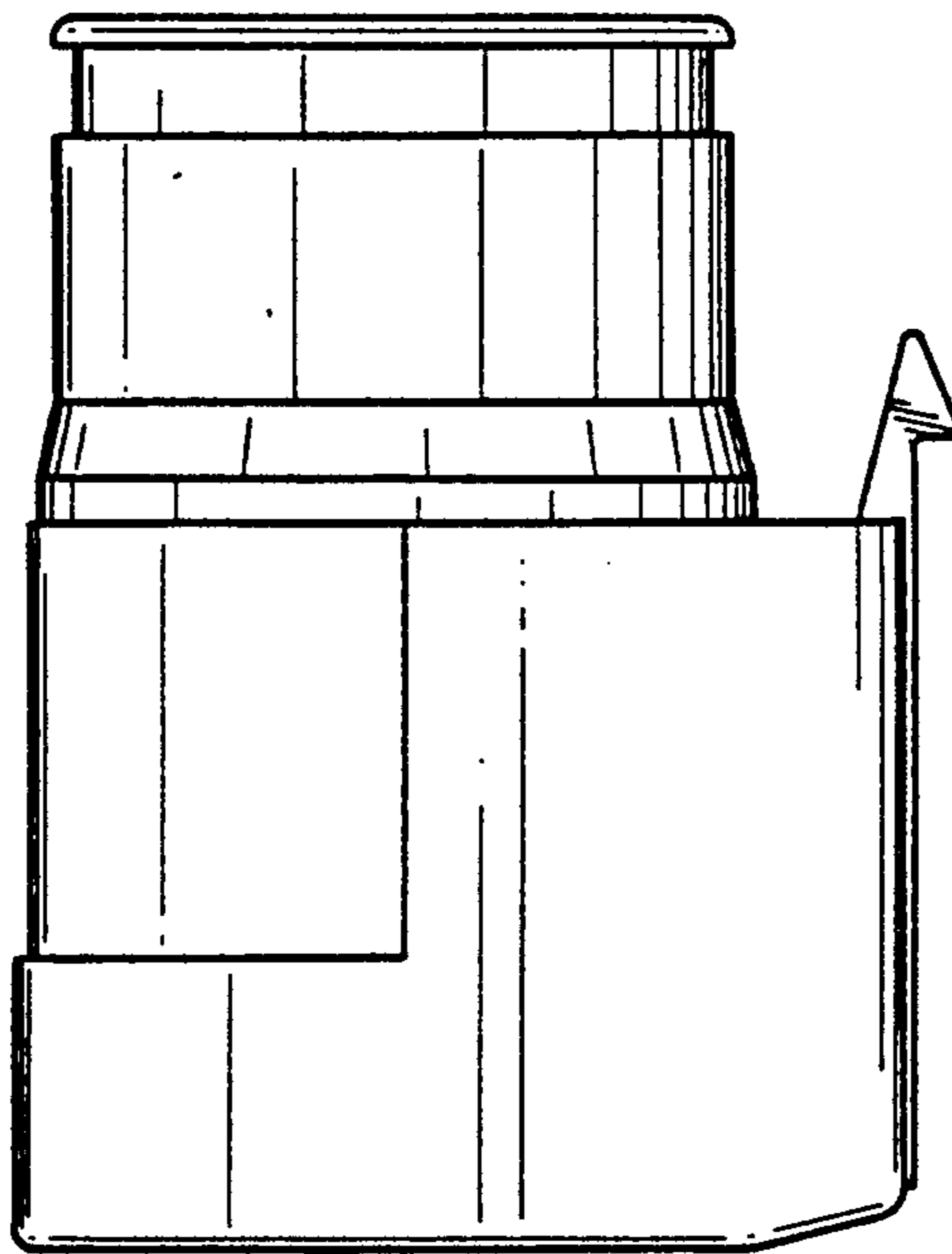


FIG. 2

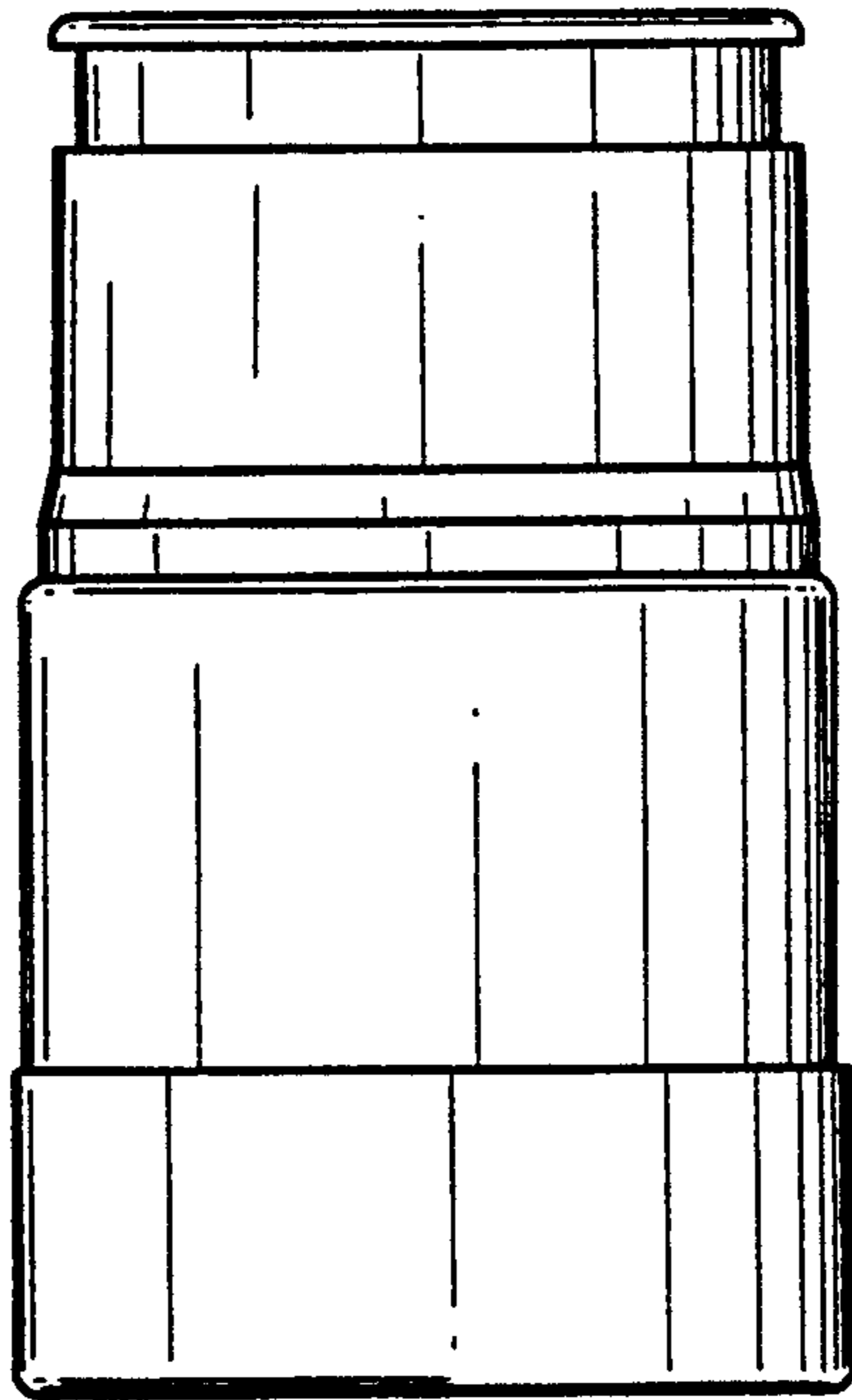


FIG. 4

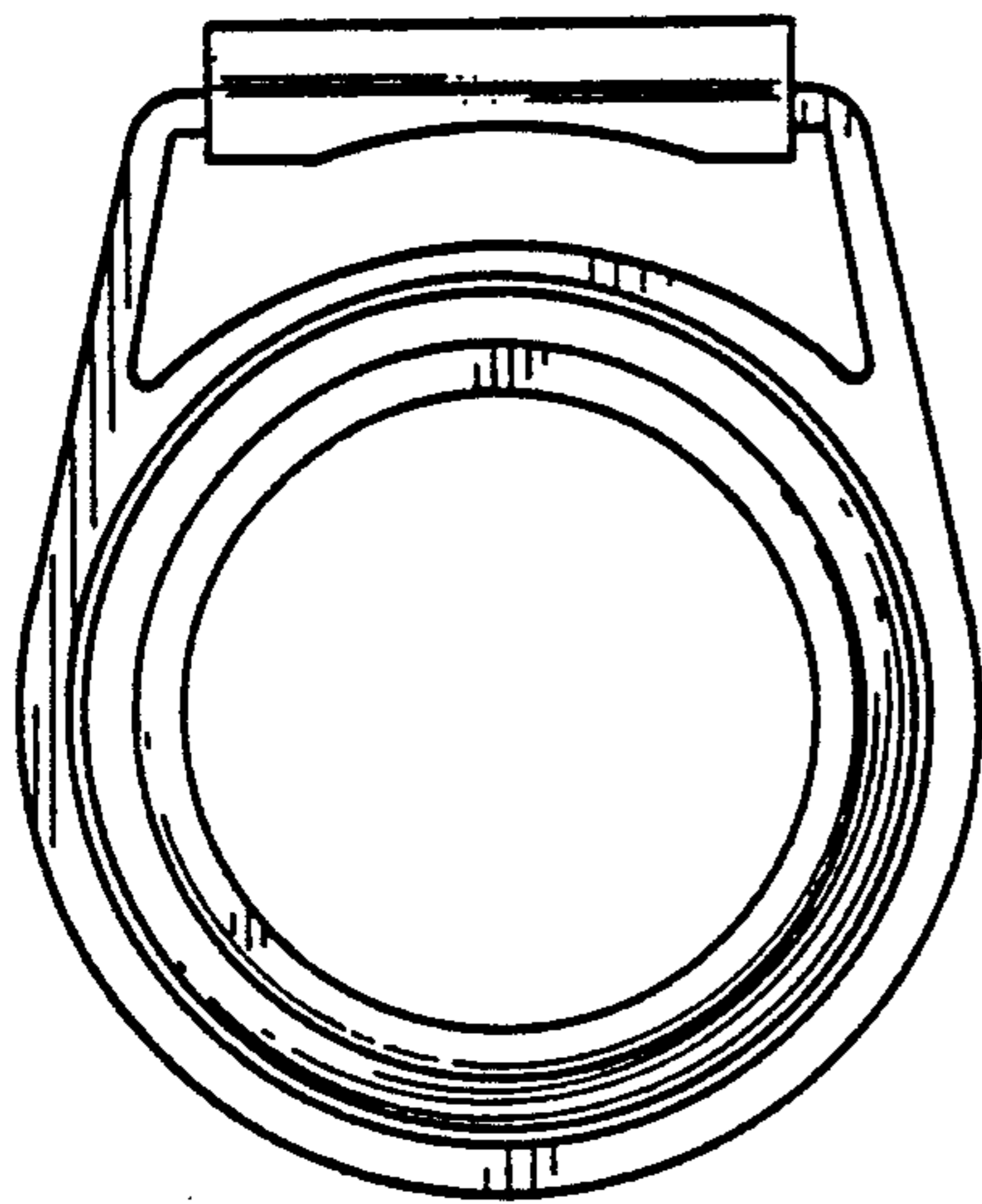


FIG. 5

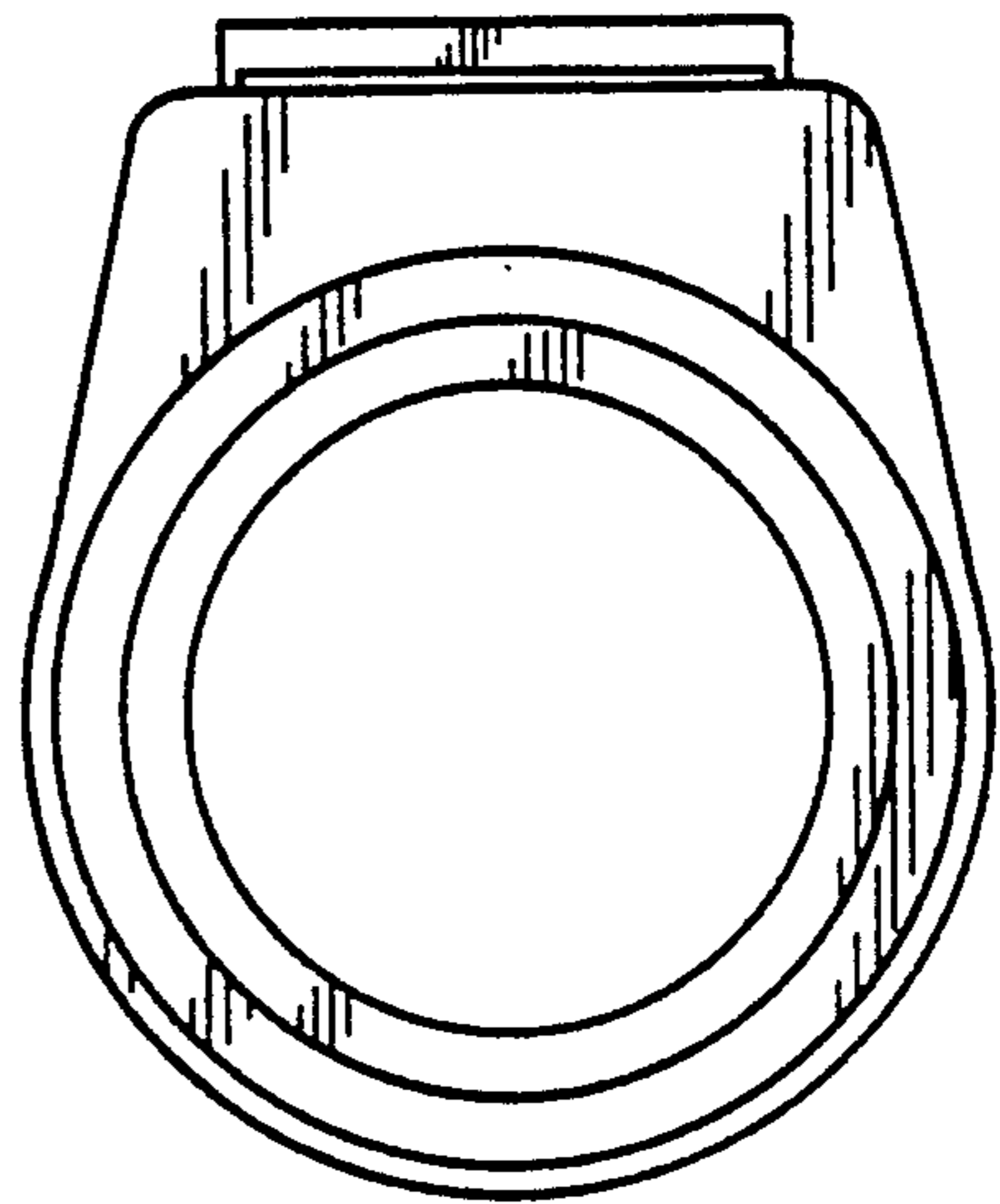


FIG. 6