

United States Patent [19]

Shouji et al.

[11] Patent Number: **Des. 314,847**

[45] Date of Patent: **** Feb. 19, 1991**

[54] **ELECTRIC VACUUM CLEANER**

[75] Inventors: **Takashi Shouji, Osaka; Toru Abe, Hyogo, both of Japan**

[73] Assignee: **Matsushita Electric Industrial Co., Ltd., Osaka, Japan**

[**] Term: **14 Years**

[21] Appl. No.: **527,789**

[22] Filed: **May 23, 1990**

[30] **Foreign Application Priority Data**

Mar. 15, 1990 [JP] Japan 2-8795

[52] U.S. Cl. **D32/22**

[58] Field of Search **D32/21-22, D32/31, 34; 15/347, 349-352, 354, 362, 410, 412-413**

[56] **References Cited**

U.S. PATENT DOCUMENTS

- D. 263,235 3/1982 Akita D32/22
- D. 301,784 6/1989 Petralia et al. D32/22
- D. 305,168 12/1989 Kroll D32/22

D. 307,658 5/1990 Ikeda et al. D32/22

OTHER PUBLICATIONS

Copy of Sharp Catalog "Vacuum Cleaners", published in Oct. 1987.

Copy of Panasonic Catalog "Upright Vacuums", published in Apr. 1988.

Primary Examiner—A. Hugo Word

Assistant Examiner—Ruth McInroy

Attorney, Agent, or Firm—Sughrue, Mion, Zinn, Macpeak & Seas

[57] **CLAIM**

The ornamental design for an electric vacuum cleaner, as shown.

DESCRIPTION

FIG. 1 is a front and right side perspective view of an electric vacuum cleaner showing our new design; FIG. 2 is a front elevational view thereof; FIG. 3 is a right side elevational view thereof; FIG. 4 is a left side elevational view thereof; FIG. 5 is a rear elevational view thereof; FIG. 6 is a top plan view thereof; and FIG. 7 is a bottom plan view thereof.

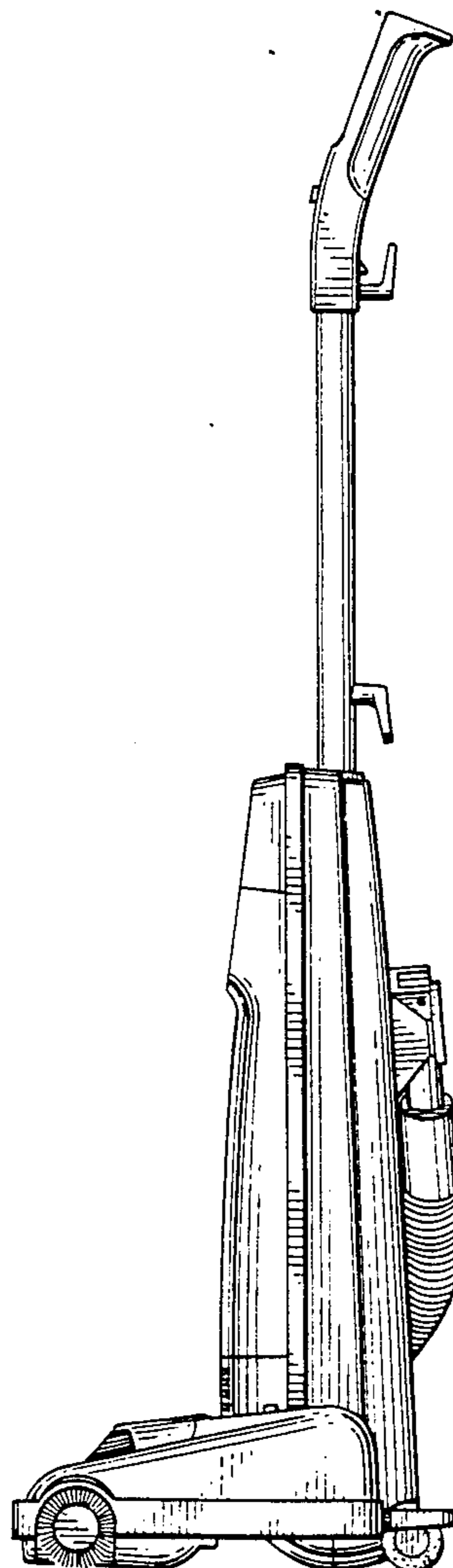
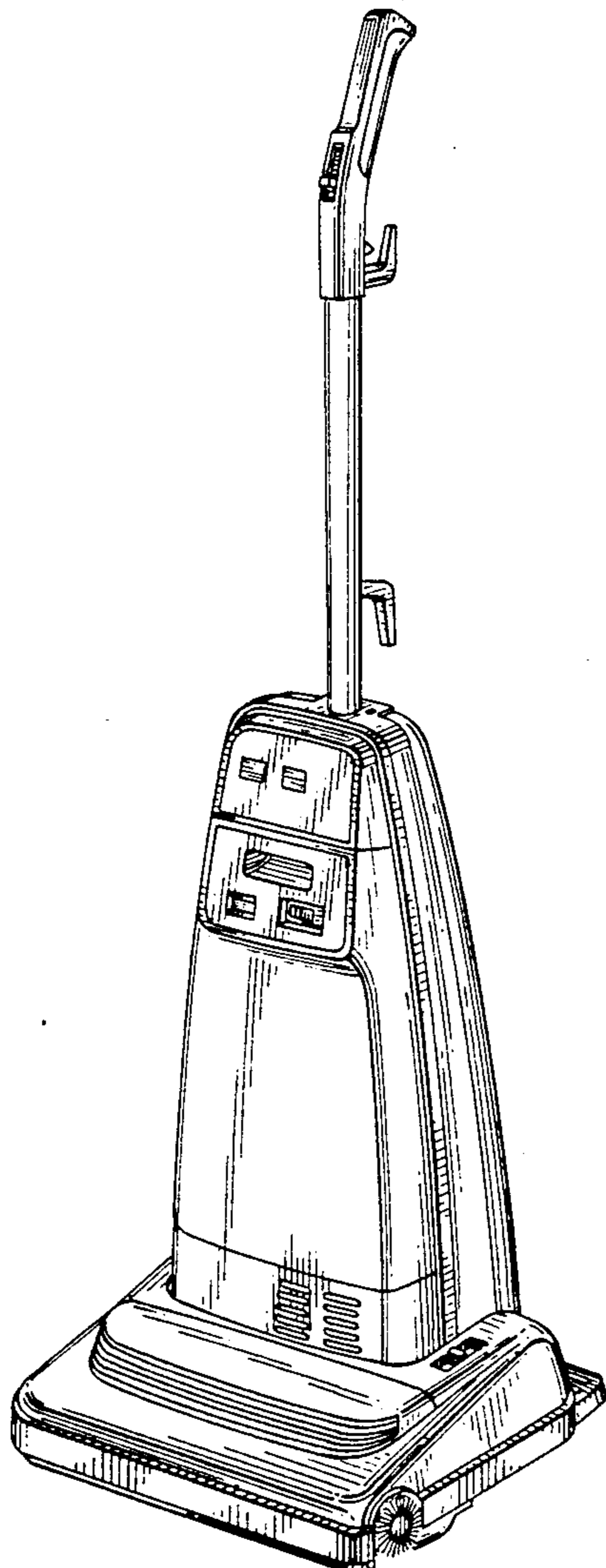


FIG. 1

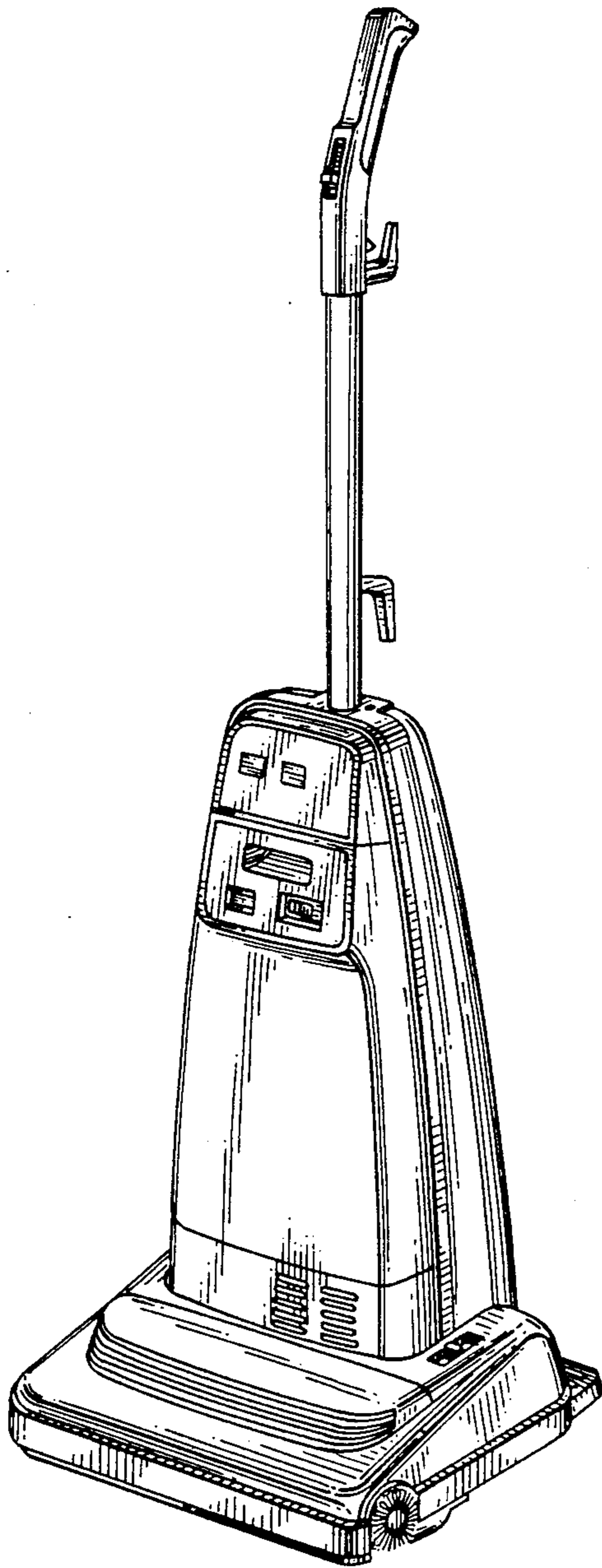


FIG. 2

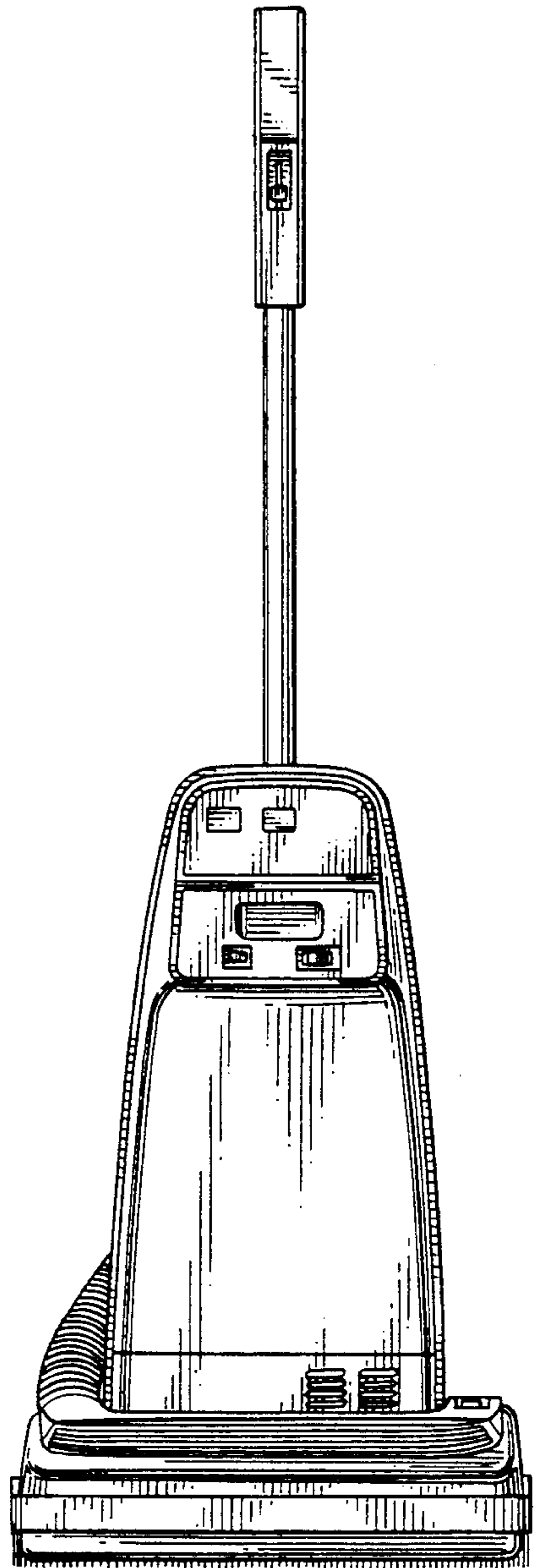


FIG. 3

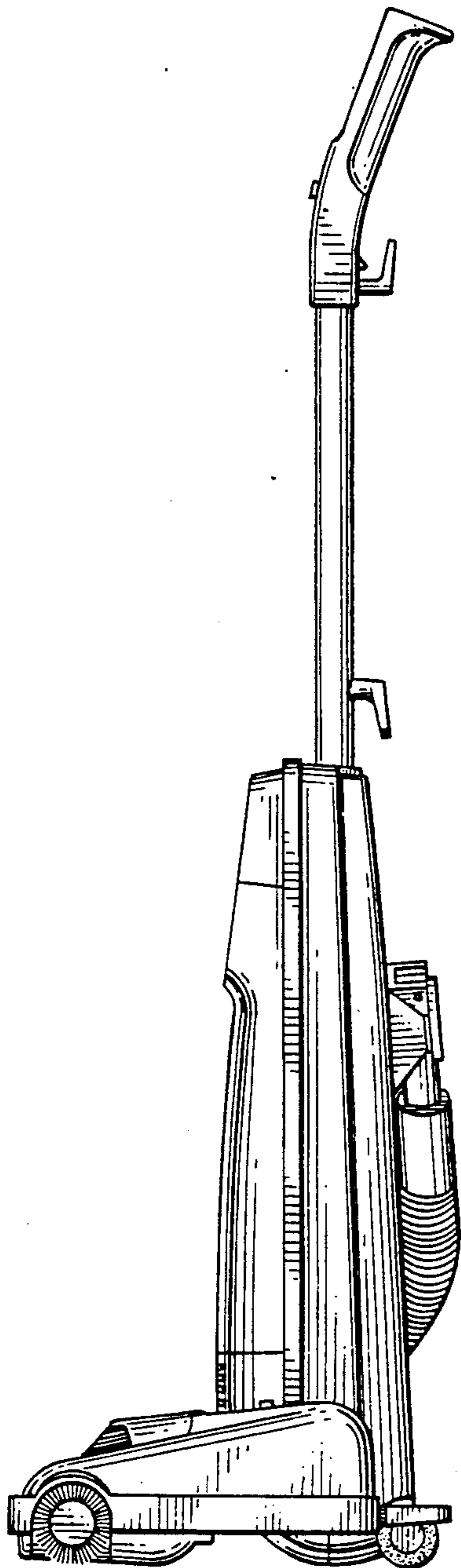


FIG. 4

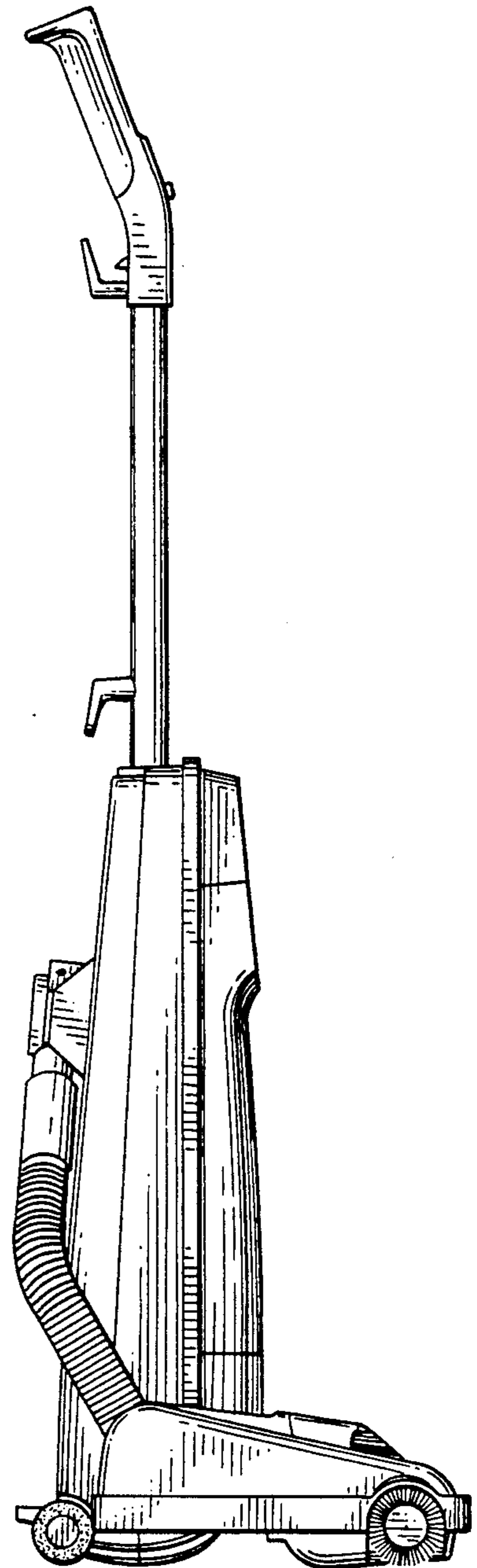


FIG. 5

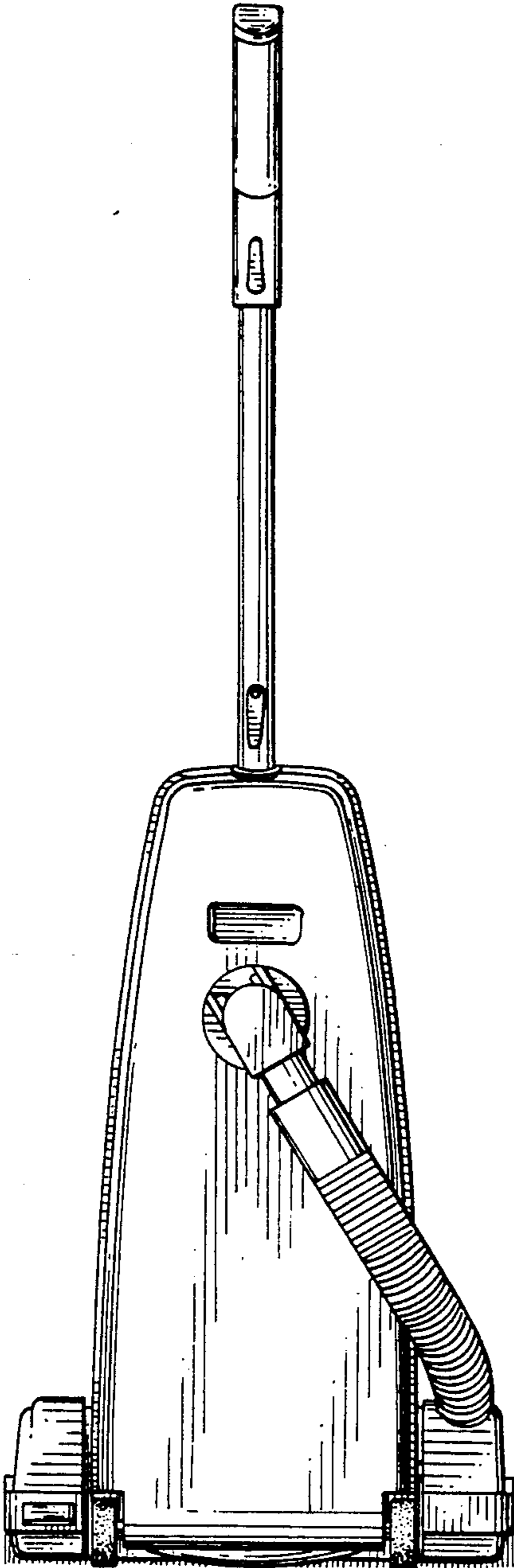


FIG. 6

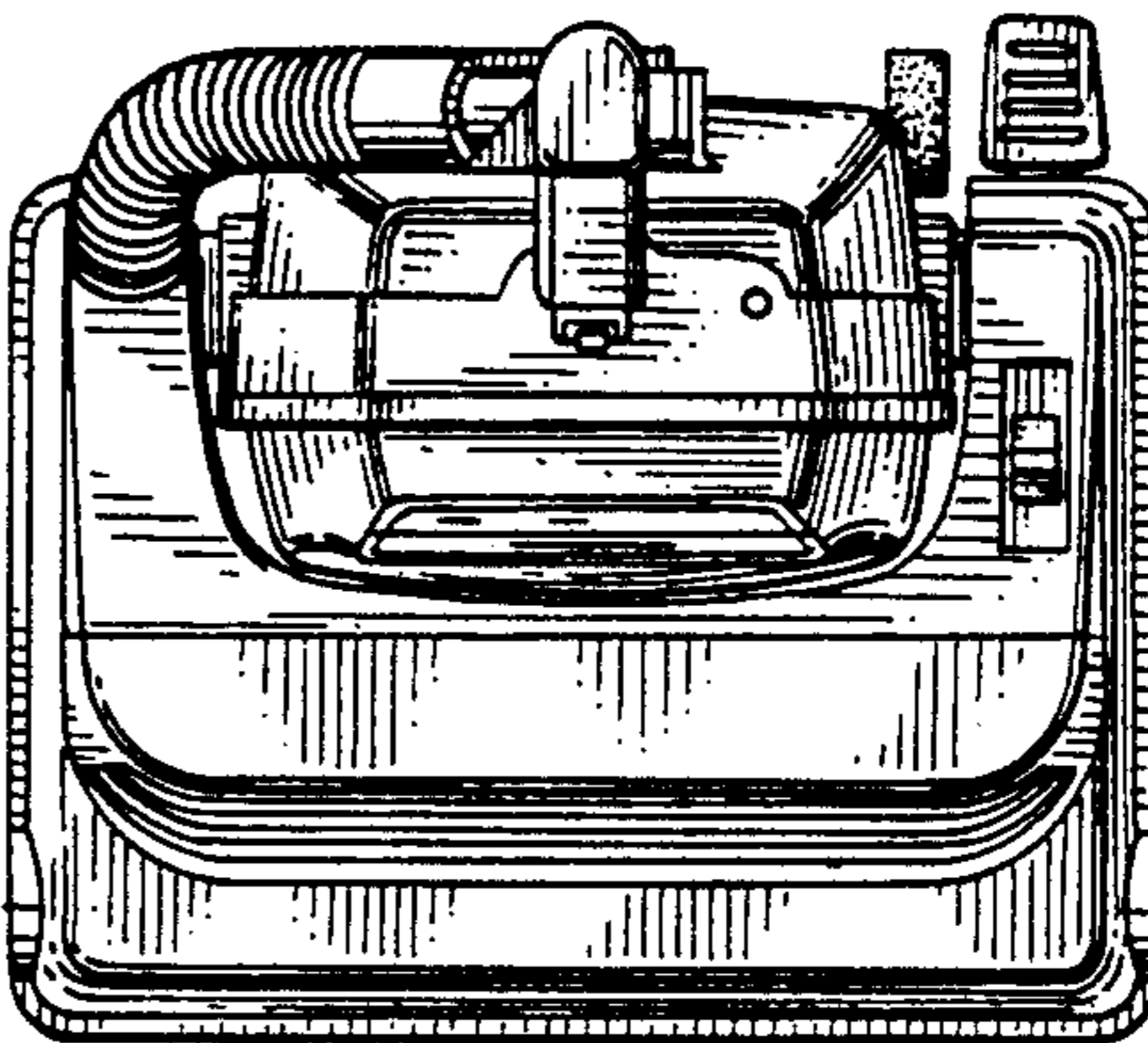


FIG. 7

