

# United States Patent

Baharad

[11] Patent Number: **Des. 314,844**

[45] Date of Patent: **\*\* Feb. 19, 1991**

[54] **RESPIRATOR'S BLOWER-FILTER UNIT**

[75] Inventor: **Ram Baharad, Kfar Azar, Israel**

[73] Assignee: **Shalon Chemical Industries Ltd., Tel Aviv, Israel**

[\*\*] Term: **14 Years**

[21] Appl. No.: **218,618**

[22] Filed: **Jul. 13, 1988**

[30] **Foreign Application Priority Data**

Feb. 8, 1988 [IL] Israel ..... 13442

[52] U.S. Cl. .... **D29/7**

[58] Field of Search ..... **D29/7-9;**  
128/204.18, 205.12, 205.18

[56] **References Cited**

**U.S. PATENT DOCUMENTS**

3,721,239 3/1973 Myers ..... 128/205.12

4,353,366 10/1982 Bickford ..... 128/205.12  
4,726,366 2/1988 Apple et al. .... 128/205.18  
4,825,859 5/1989 Lambert ..... 128/207.14  
4,826,510 5/1989 McCombs ..... 128/205.12

**FOREIGN PATENT DOCUMENTS**

86/06643 11/1986 World Int. Prop. O. .... 128/205.12

*Primary Examiner*—Kay H. Chin

*Attorney, Agent, or Firm*—Browdy and Neimark

[57] **CLAIM**

The ornamental design for a respirator's blower-filter unit, as shown and described.

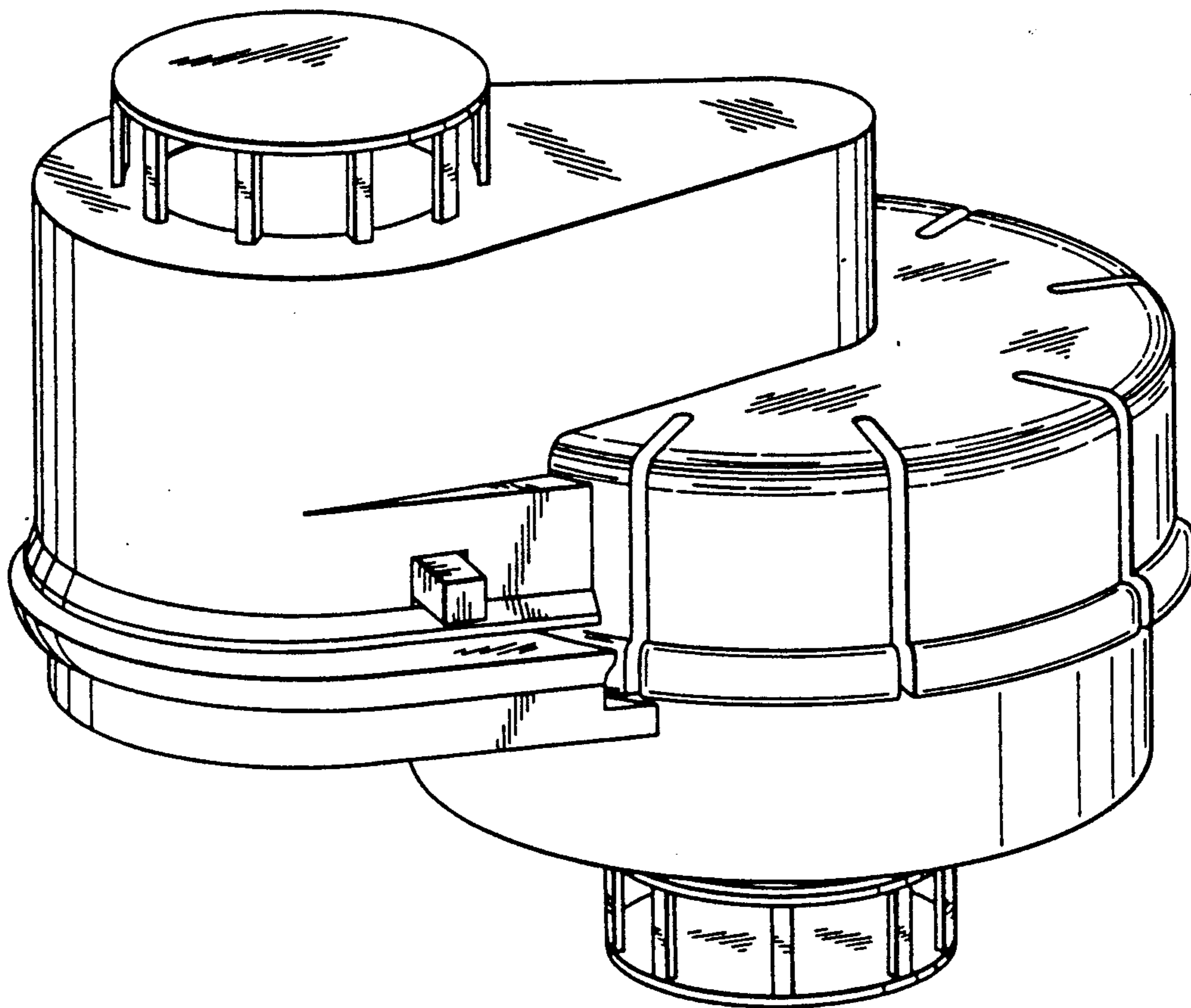
**DESCRIPTION**

FIG. 1 is a top plan view of a respirator's blower filter unit showing my new design;

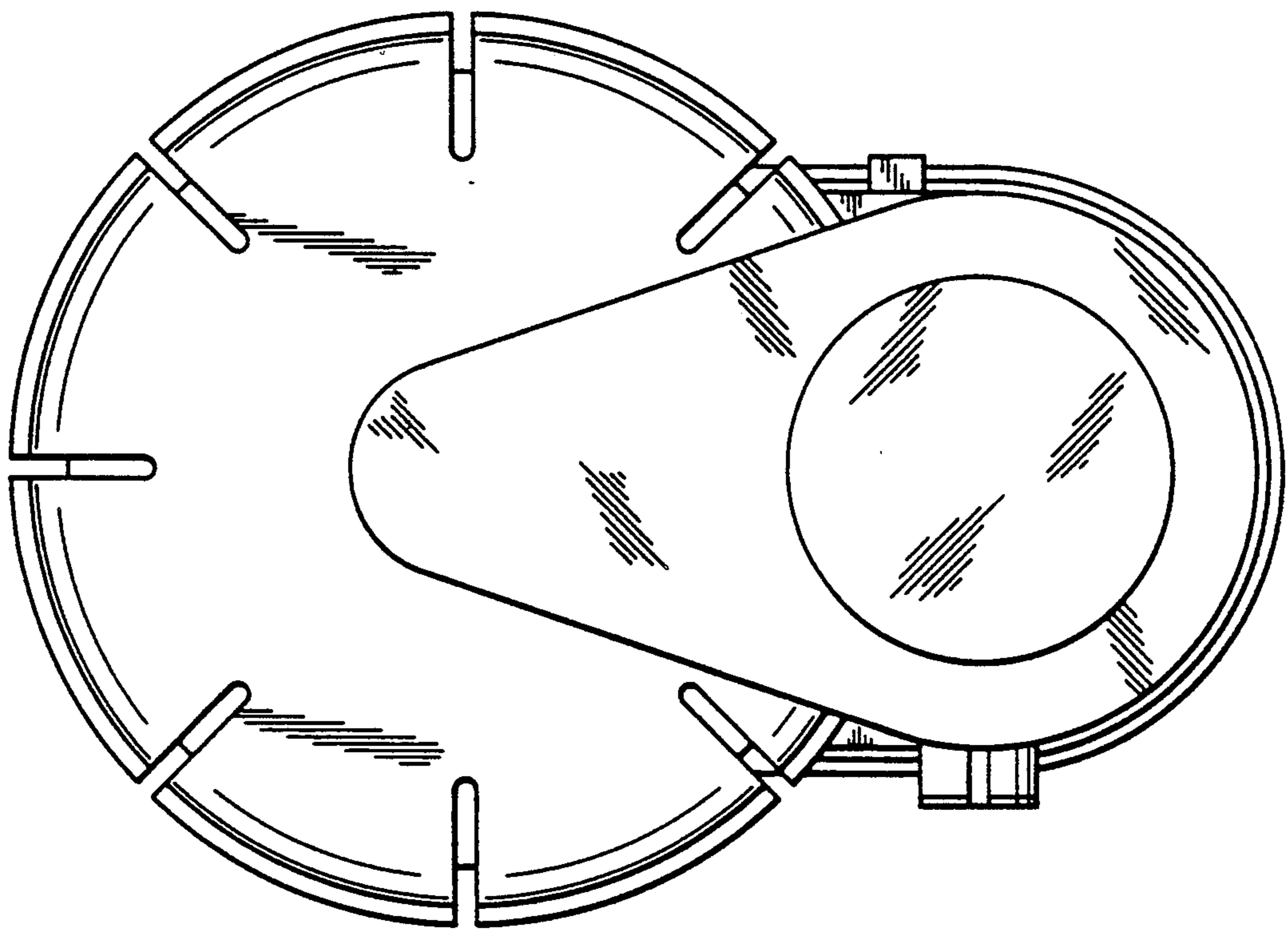
FIG. 2 is a left side elevational view thereof;

FIG. 3 is a top and right side perspective view thereof; and

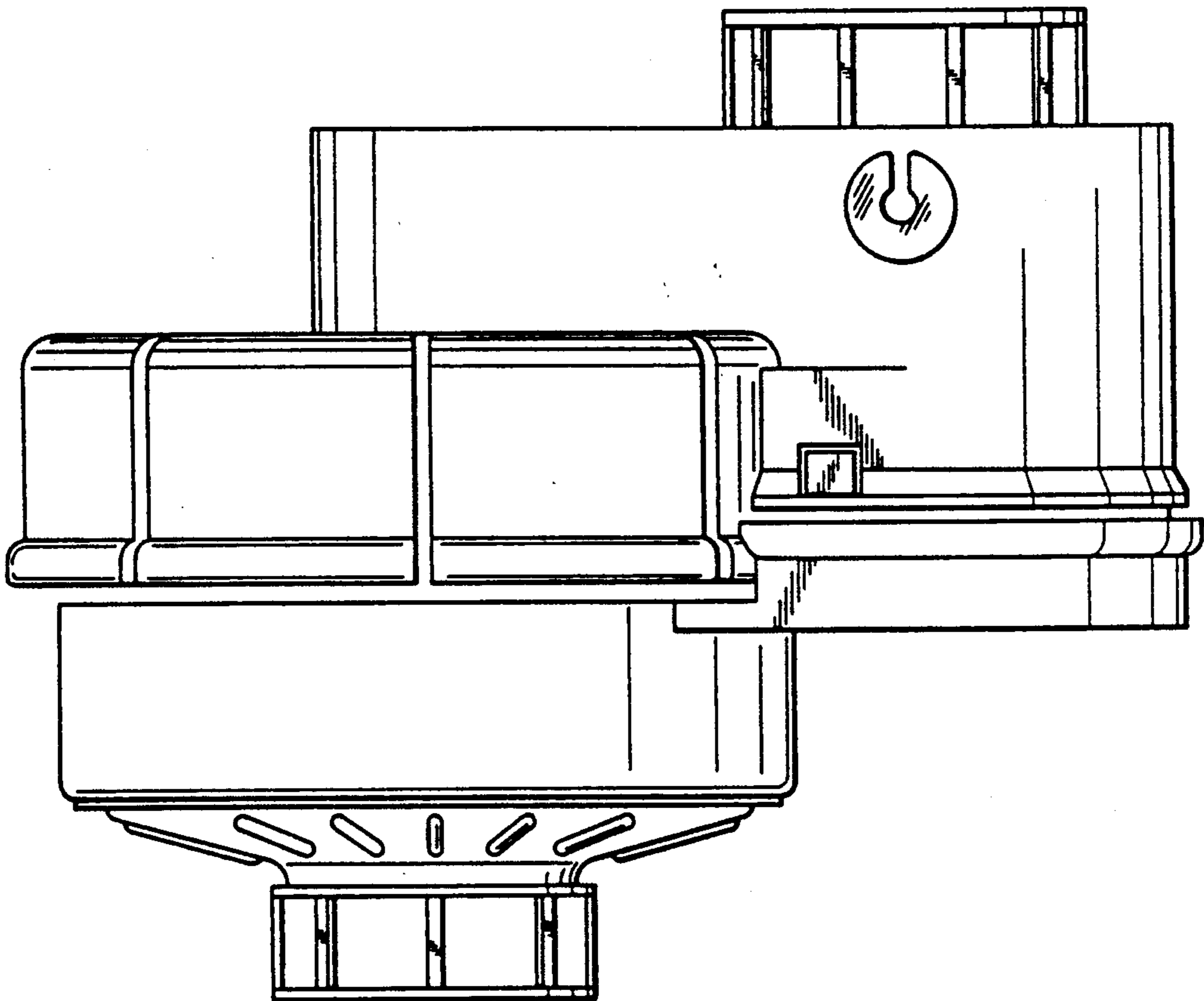
FIG. 4 is a bottom plan view thereof.



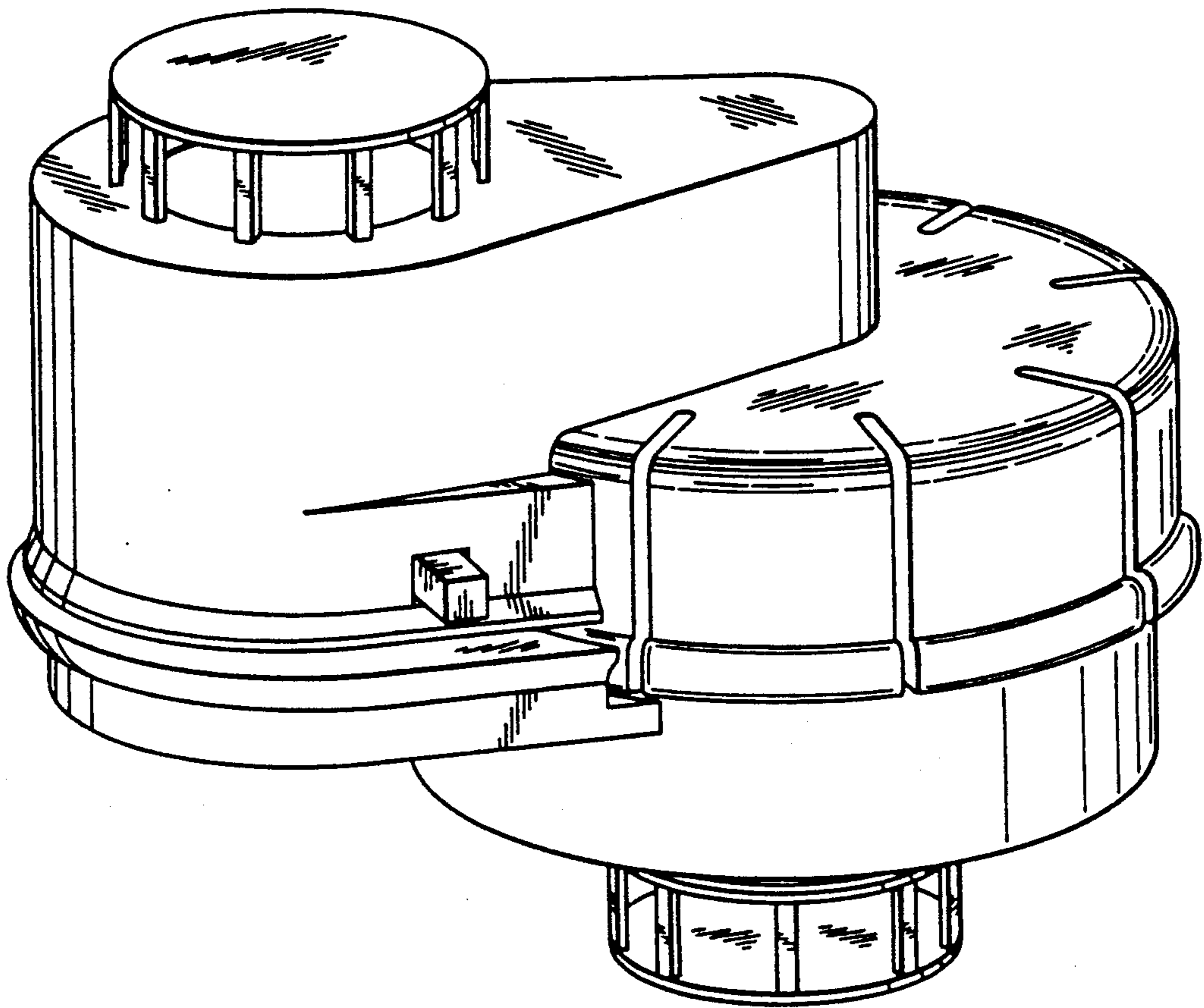
***Fig. 1***



***Fig. 2***



***Fig. 3***



**FIG. 4**

