

[54] **CIGARETTE LIGHTER**

[75] **Inventor: Tomio Nitta, Yokohama, Japan**

[73] **Assignee: Tokai Corporation, Yokohama, Japan**

[**] **Term: 14 Years**

[21] **Appl. No.: 331,143**

[22] **Filed: Mar. 31, 1989**

[30] **Foreign Application Priority Data**

Oct. 14, 1988 [JP] Japan 63-39988

[52] **U.S. Cl. D27/154**

[58] **Field of Search D27/141, 153, 154, 157,
D27/155; 431/124-141**

[56] **References Cited**

U.S. PATENT DOCUMENTS

D. 239,777 3/1975 Goto D27/157

FOREIGN PATENT DOCUMENTS

947550 6/1947 France 431/136

Primary Examiner—Wallace R. Burke
Assistant Examiner—Holly Baynham
Attorney, Agent, or Firm—Armstrong, Nikaido,
Marmelstein, Kubovcik, & Murray

[57] **CLAIM**

The ornamental design for cigarette lighter, as shown and described.

DESCRIPTION

FIG. 1 is a perspective view of the cigarette lighter showing my new design;
FIG. 2 is a front elevational view thereof;
FIG. 3 is a left side elevational view thereof;
FIG. 4 is a right side elevational view thereof;
FIG. 5 is a top plan view thereof; and
FIG. 6 is a bottom plan view thereof.

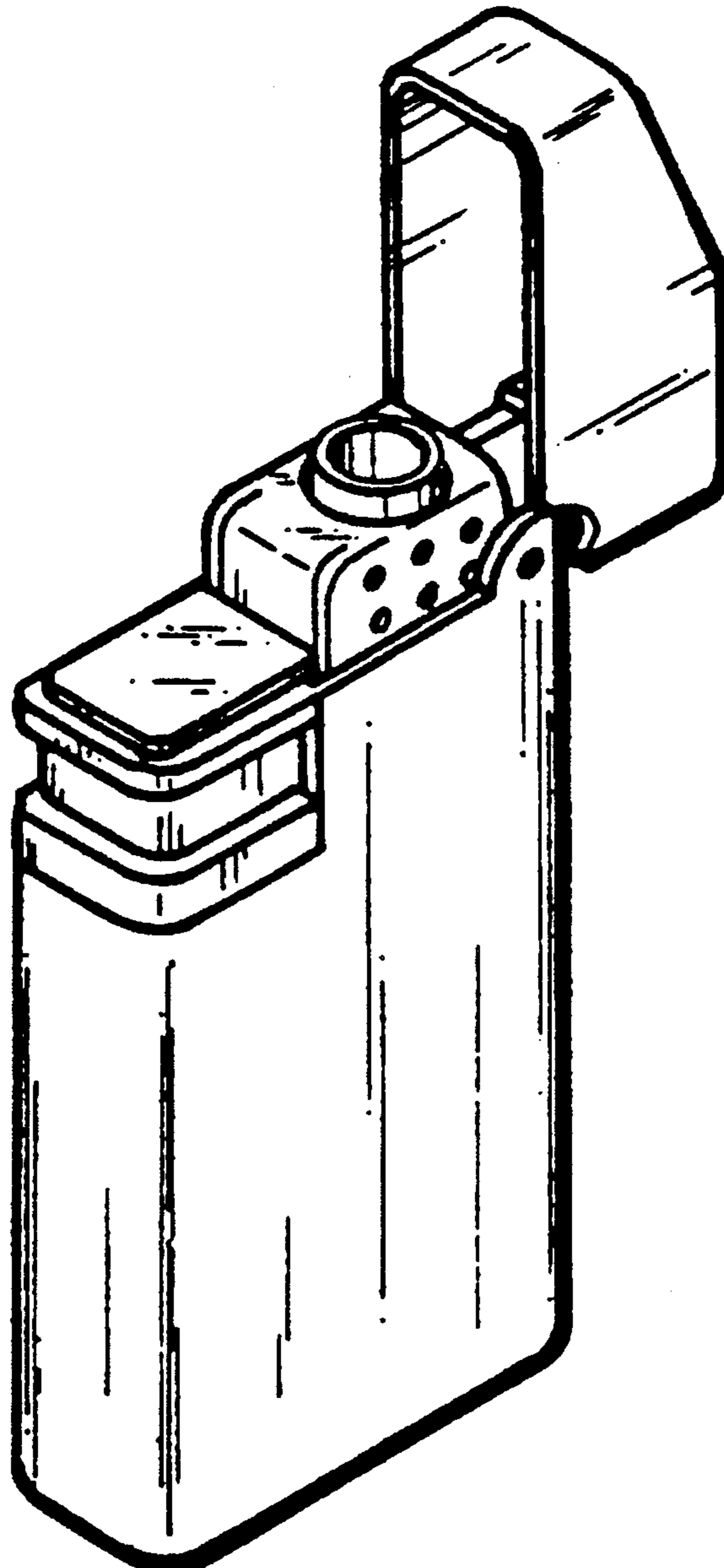


FIG. 1

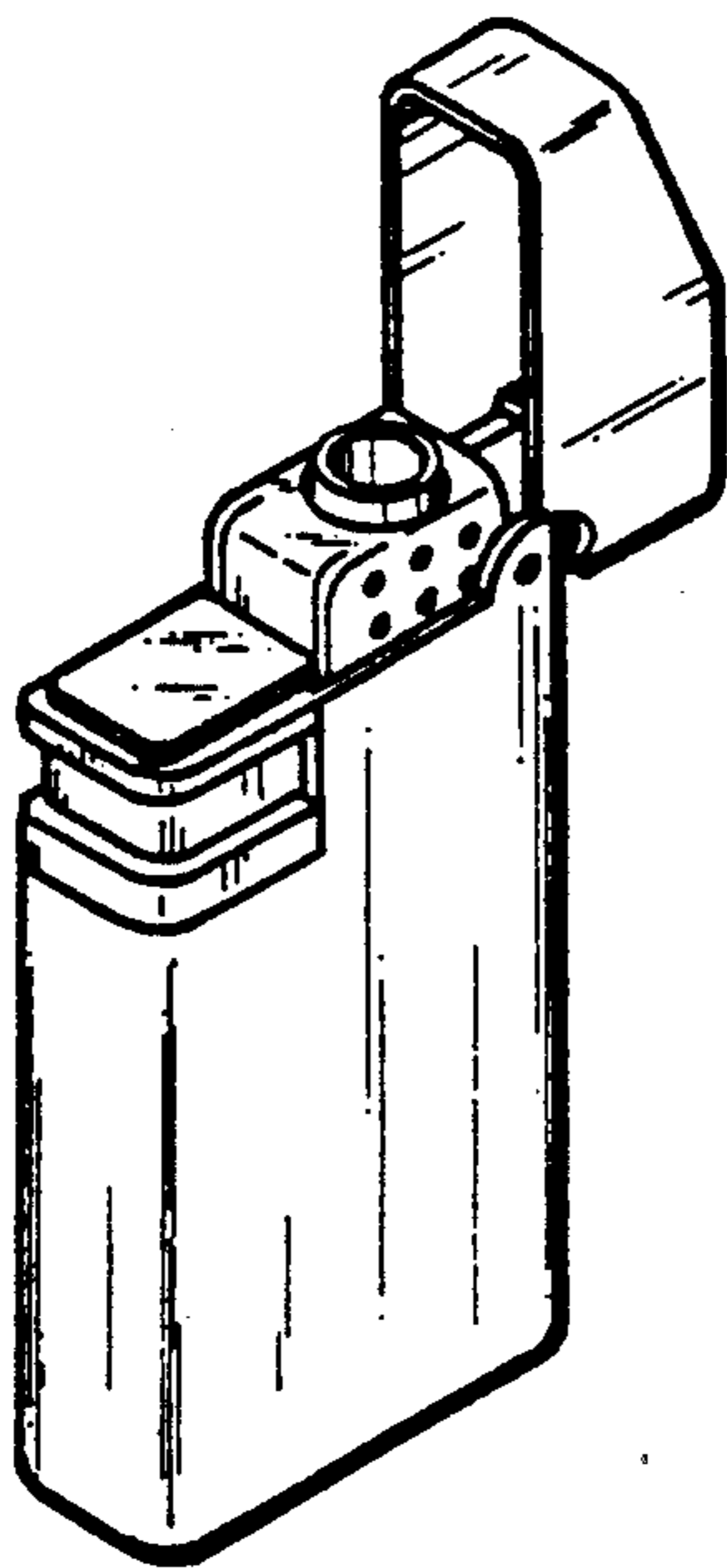


FIG. 2

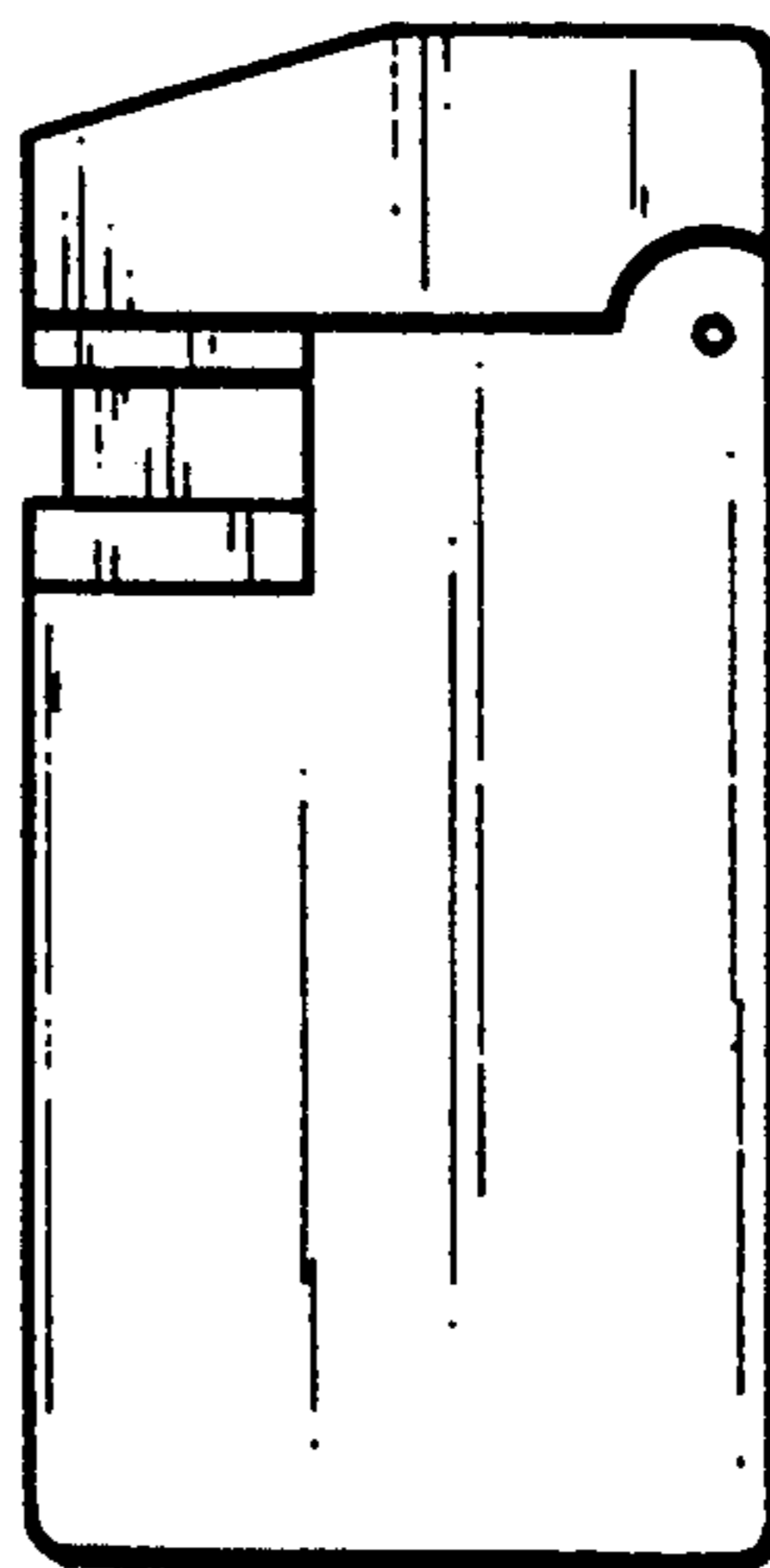


FIG. 3



FIG. 4

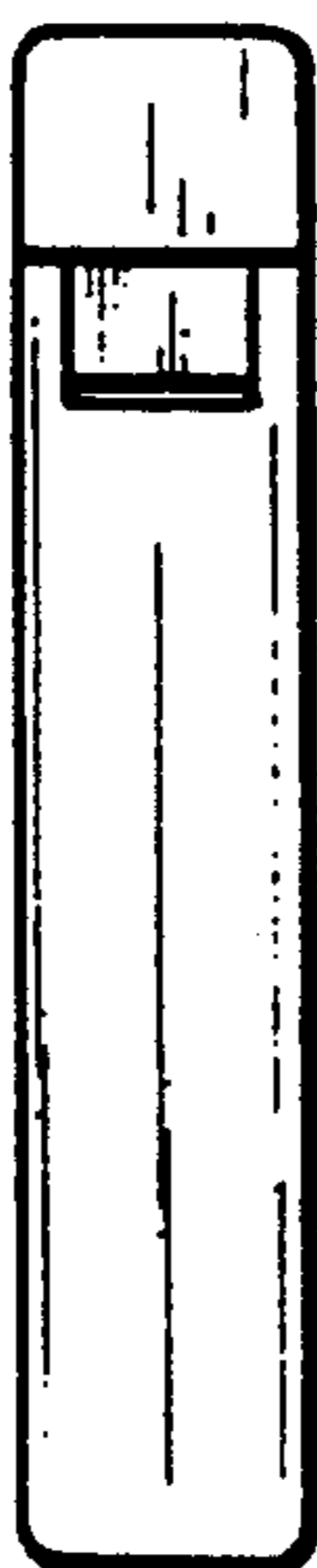


FIG. 5



FIG. 6

