

United States Patent [19]

Botta

[11] Patent Number: Des. 314,832

[45] Date of Patent: ** Feb. 19, 1991

[54] TABLE LAMP

[75] Inventor: Mario Botta, Lugano, Switzerland

[73] Assignee: Artemide S.p.A., Milan, Italy

[**] Term: 14 Years

[21] Appl. No.: 5,524

[22] Filed: Jan. 20, 1987

[30] Foreign Application Priority Data

Jul. 23, 1986 [IT] Italy 22609/86[U]
[52] U.S. Cl. D26/63
[58] Field of Search D26/93, 102-112,
D26/60-66; 362/428, 427, 417, 418, 33,
410-414, 401, 402, 269, 275, 285

[56] References Cited

U.S. PATENT DOCUMENTS

D. 281,357 11/1985 Gismondi D26/63
D. 284,108 6/1986 Bonetto D26/65

FOREIGN PATENT DOCUMENTS

2148093 9/1971 Fed. Rep. of Germany 362/413

Primary Examiner—Susan J. Lucas

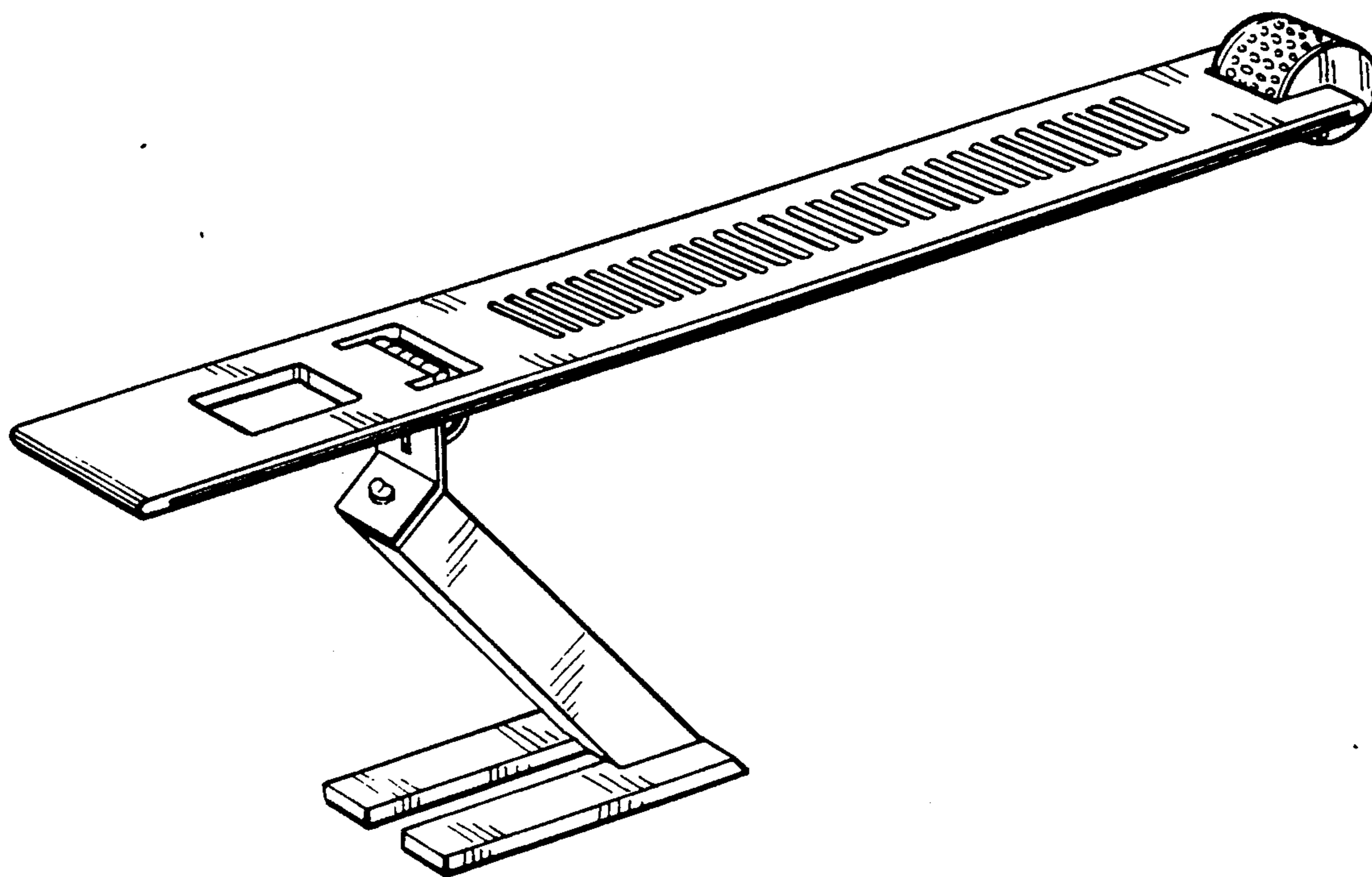
Attorney, Agent, or Firm—Guido Modiano; Albert Josif

[57] CLAIM

The ornamental design for table lamp, as shown.

DESCRIPTION

FIG. 1 is a top, rear perspective view of a table lamp showing my new design;
FIG. 2 is a right hand side elevational view thereof;
FIG. 3 is a left hand side elevational view thereof;
FIG. 4 is a top plan view thereof;
FIG. 5 is a bottom plan view thereof;
FIG. 6 is a front elevational view thereof;
FIG. 7 is a rear elevational view thereof.



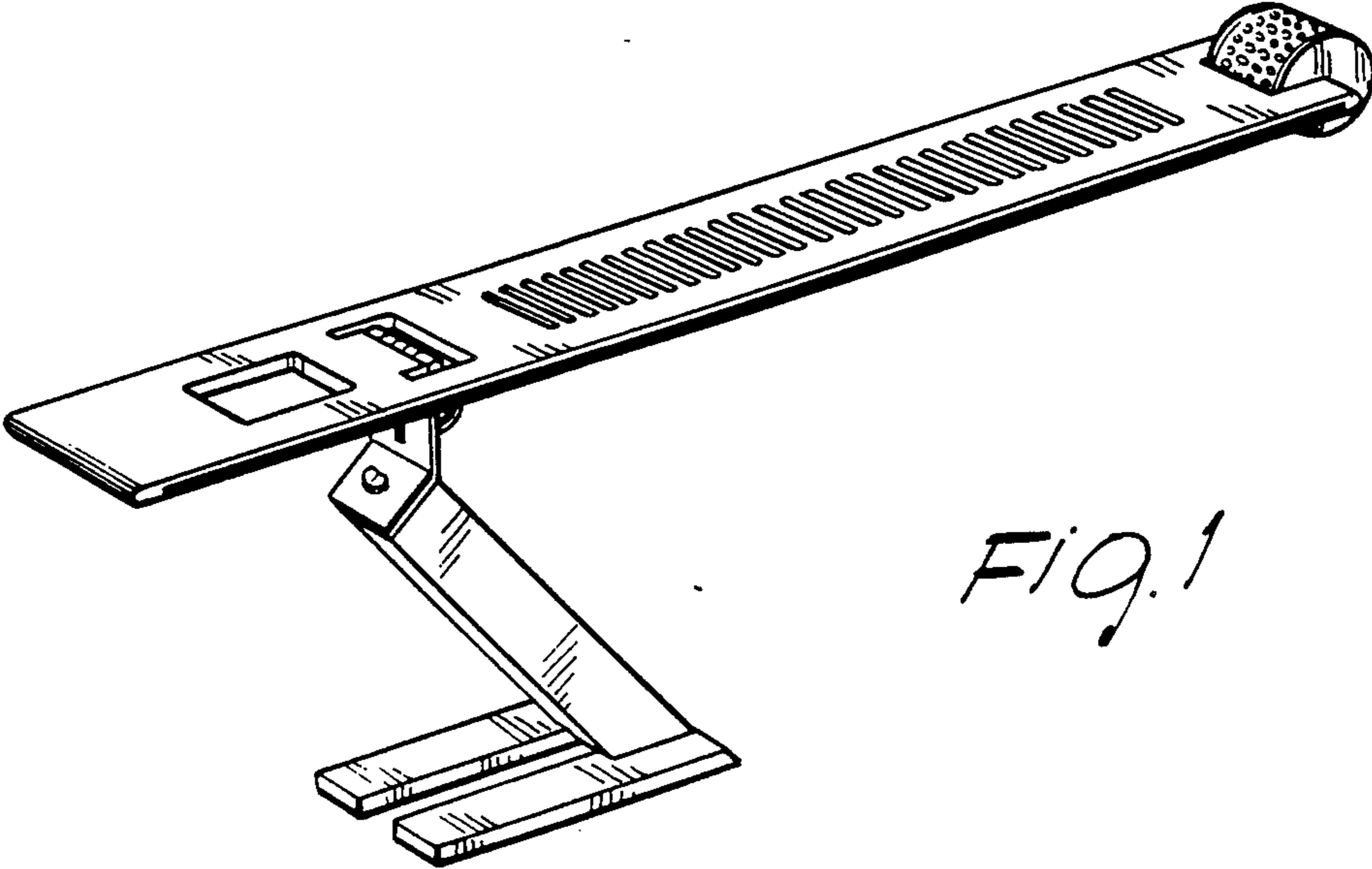


Fig. 1

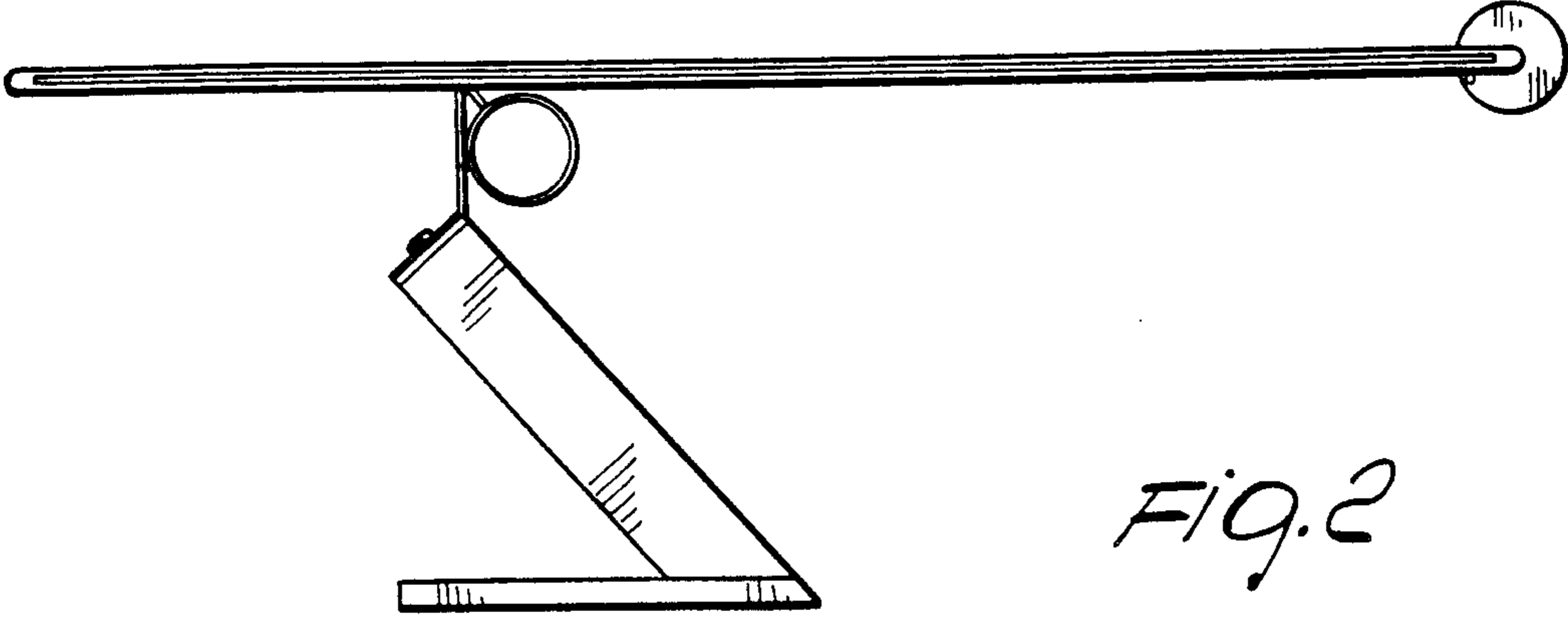


Fig. 2

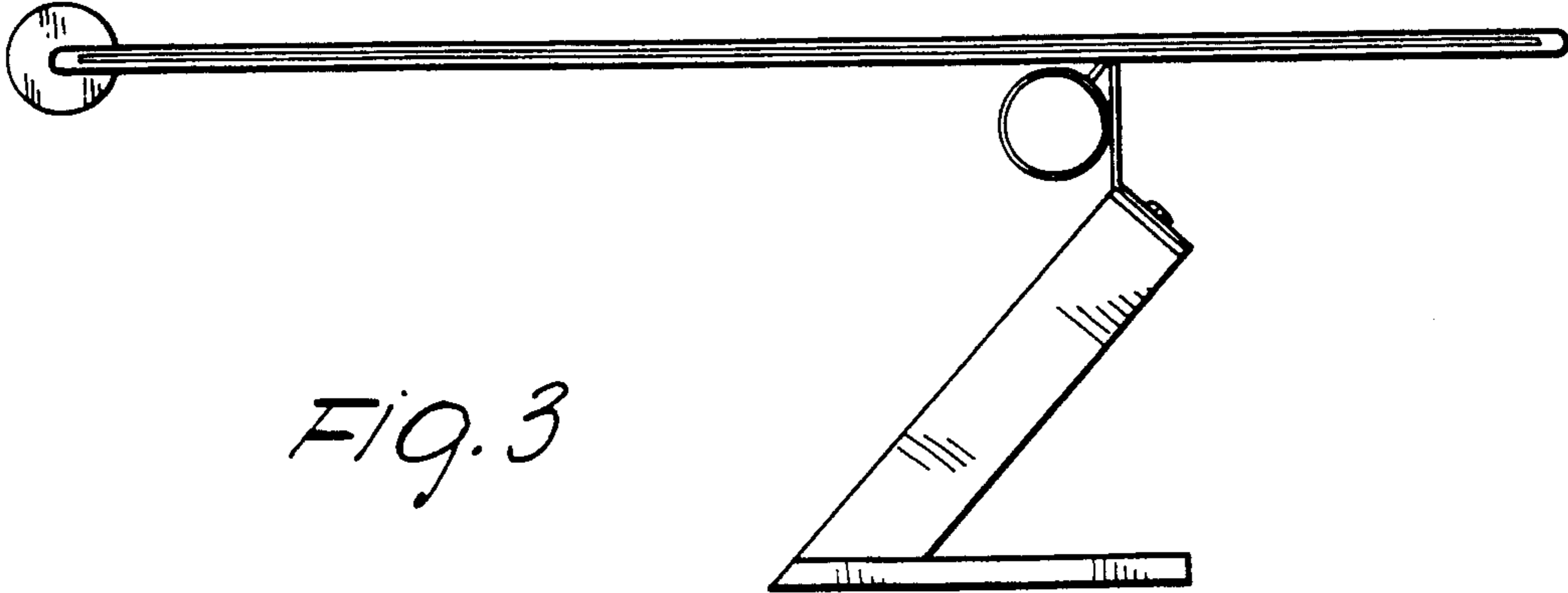


Fig. 3

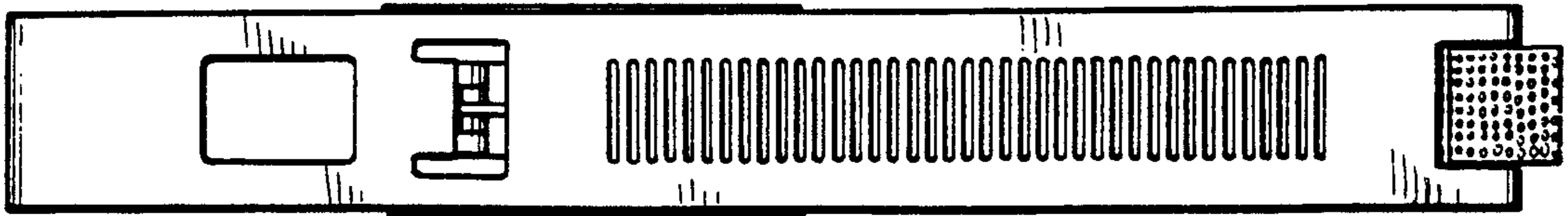


FIG. 4

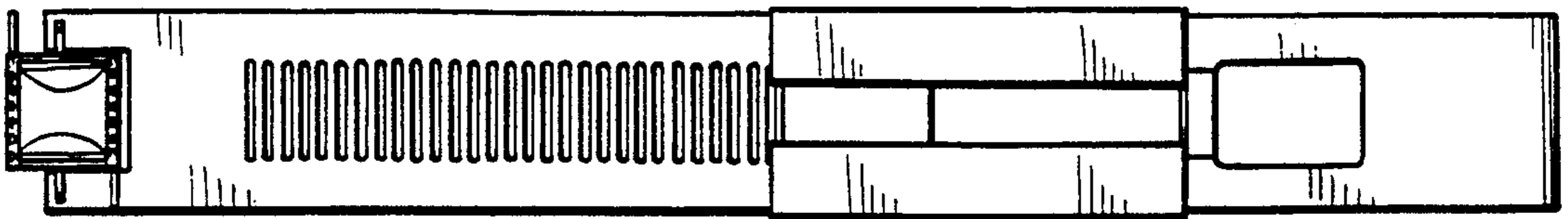


FIG. 5

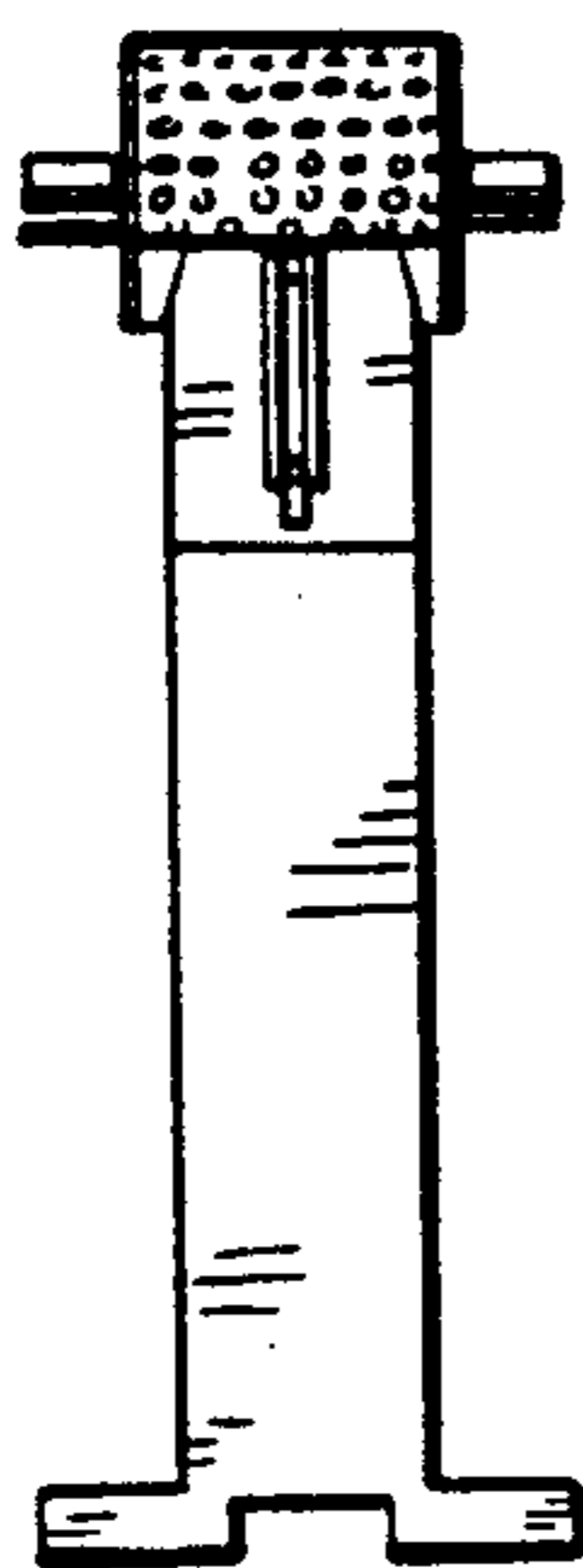


FIG. 6

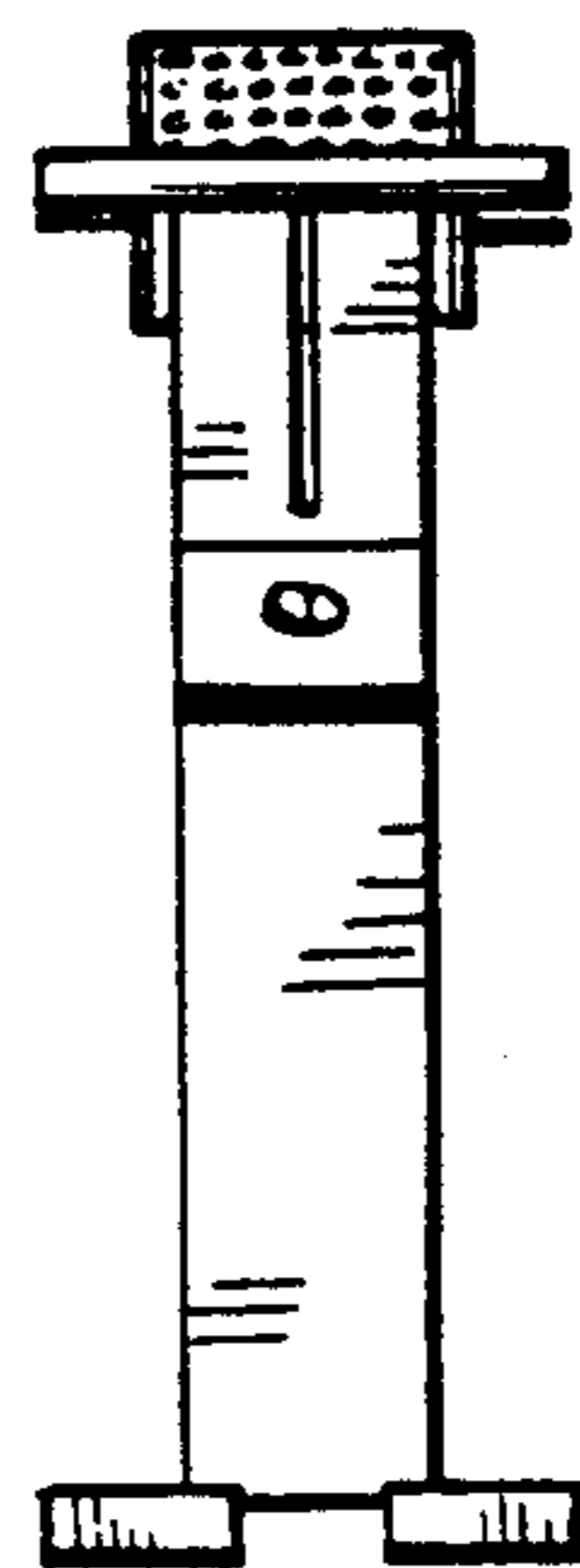


FIG. 7