

[54] COMBINATION NIGHTLIGHT AND ELECTRICAL OUTLET COVER

[76] Inventors: Karen H. Heverly; Larry R. Heverly, both of 894 Village Cir., Blue Bell, Pa. 19422

[**] Term: 14 Years

[21] Appl. No.: 42,963

[22] Filed: Apr. 27, 1987

[52] U.S. Cl. D6/26; D26/51

[58] Field of Search D26/72, 80-92, D26/24, 26, 51, 74; 439/136; D8/350, 353; D13/31; 362/275, 95, 226

[56] References Cited

U.S. PATENT DOCUMENTS

D. 180,008	4/1957	Berger	D26/74
D. 261,135	10/1981	Horne .	
D. 270,095	8/1983	Palmer	D26/26
D. 291,125	7/1987	Fenne	D26/26
2,510,745	6/1950	Kilgore .	
2,526,606	10/1950	Gregg .	
2,575,820	11/1951	Linton	362/95
2,738,475	3/1956	Beach .	
2,880,264	3/1959	Ruskin .	
2,891,102	6/1959	Grimes .	
2,892,172	6/1959	McGann, Jr. .	
2,934,591	4/1960	Tiikkainen .	
3,013,105	12/1961	Craig .	

3,434,618	3/1969	MacDonald .	
3,491,327	1/1970	Tait et al. .	
4,000,405	12/1976	Horwinski	362/95
4,070,078	1/1978	Chrones .	
4,228,317	10/1980	Cziment .	
4,424,407	1/1984	Barbic .	
4,531,794	6/1985	Heverly .	
4,546,419	10/1985	Johnson	362/95
4,603,932	8/1986	Heverly .	
4,723,823	2/1988	Pinkerton et al.	439/136

OTHER PUBLICATIONS

Damark catalog, Sep. 1989, p. 26.

Primary Examiner—Susan J. Lucas

Attorney, Agent, or Firm—Ferrill and Logan

[57] CLAIM

The ornamental design for a combination nightlight and electrical outlet cover, as shown and described.

DESCRIPTION

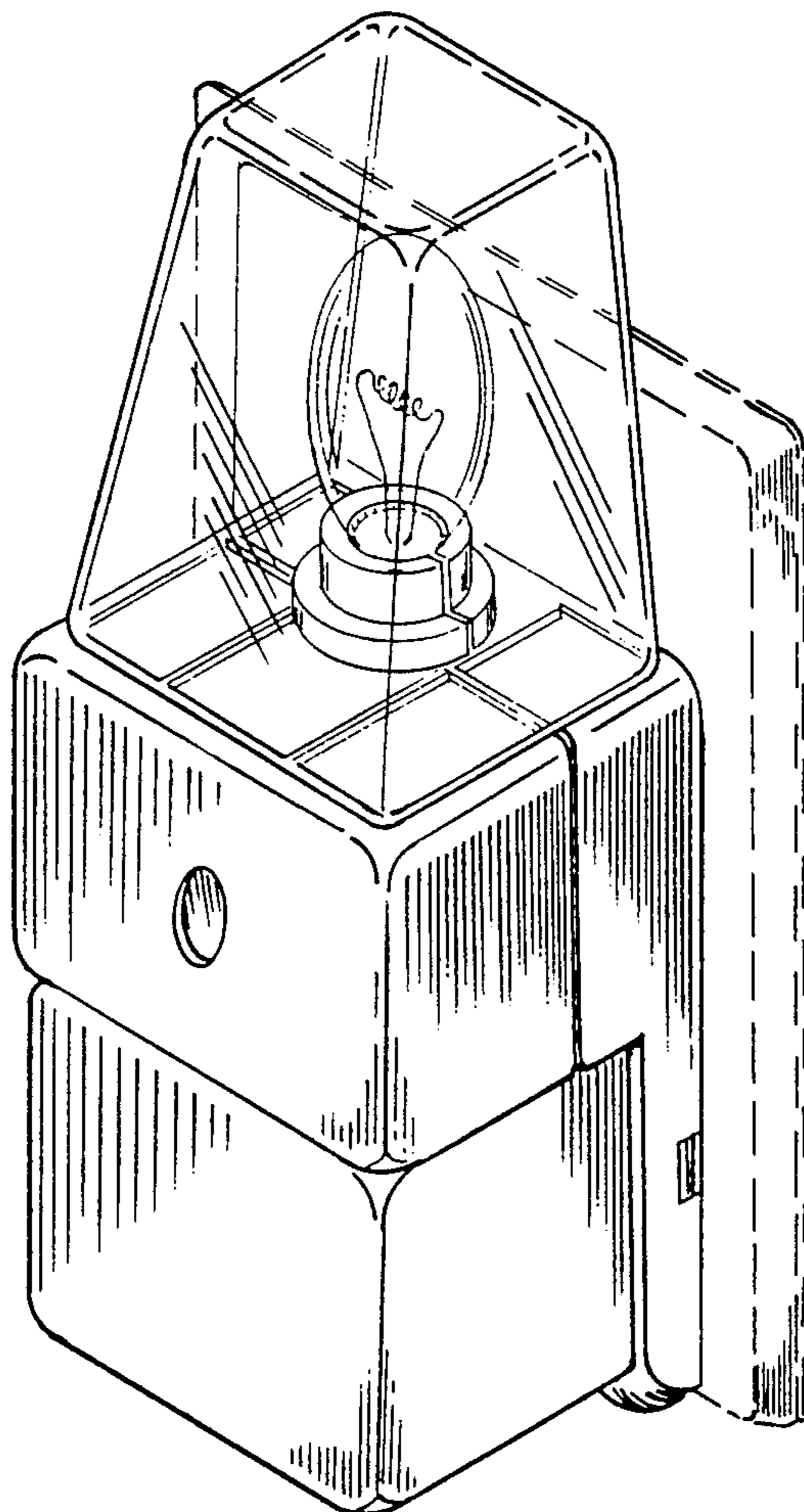
FIG. 1 is a top, front perspective view of a combination nightlight and electric outlet cover showing our new design, the outlet wall plate being shown in broken lines for illustrative purposes only;

FIG. 2 is an exploded bottom, rear perspective view thereof;

FIG. 3 is a top plan view thereof;

FIG. 4 is a side elevational view thereof, the opposite side being a mirror image;

FIG. 5 is a bottom plan view thereof.



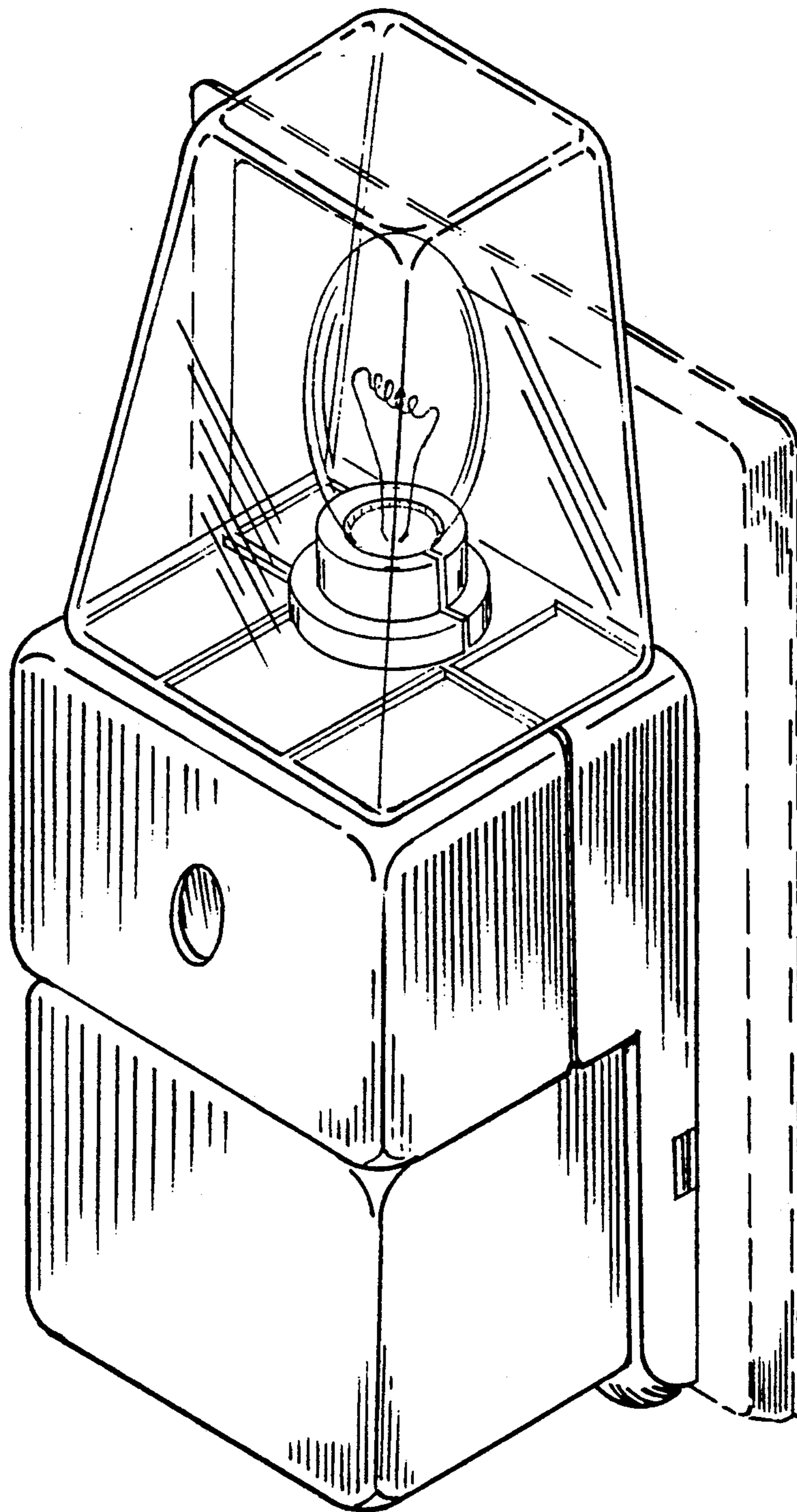


FIG. 1

FIG. 2

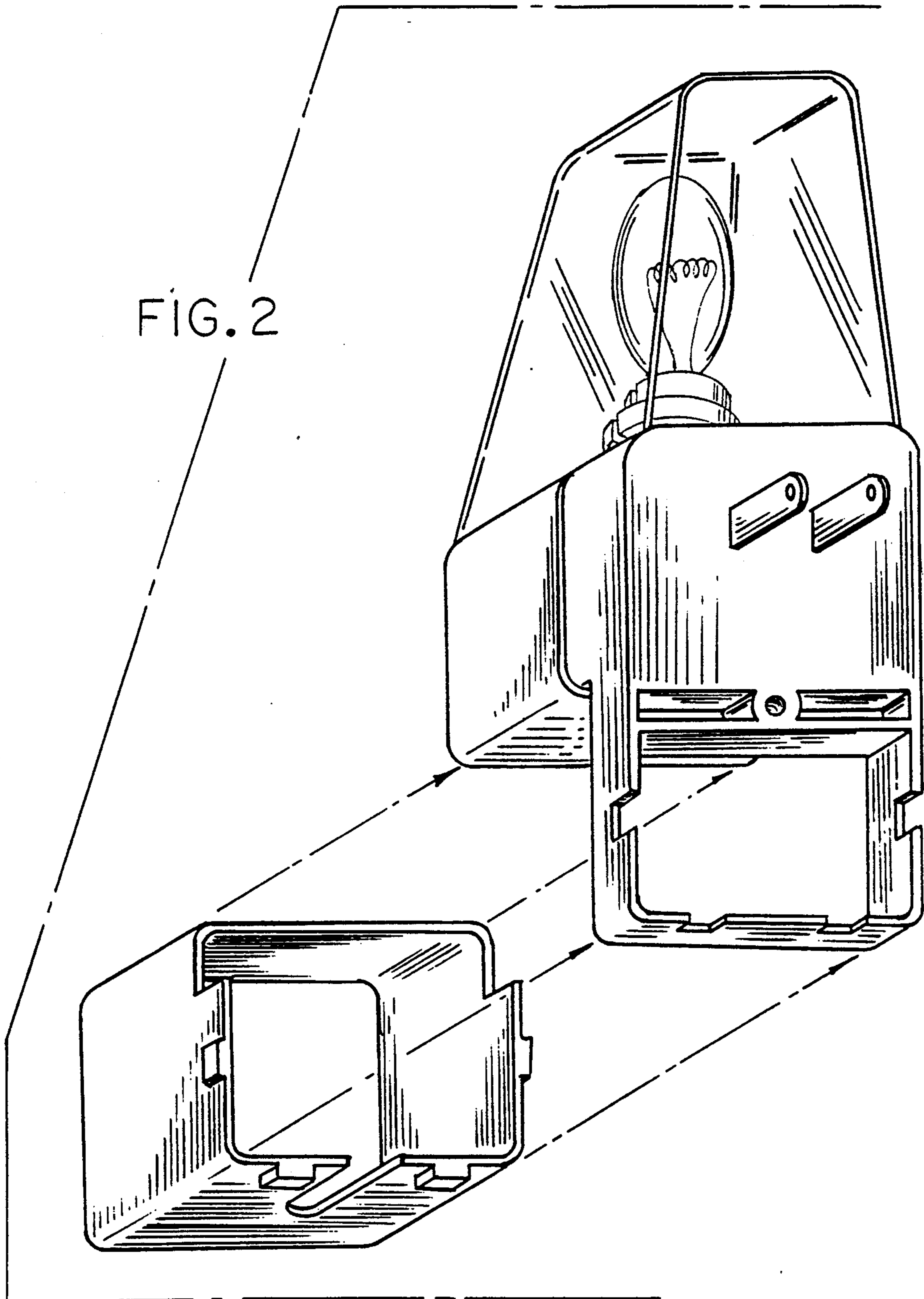


FIG. 3

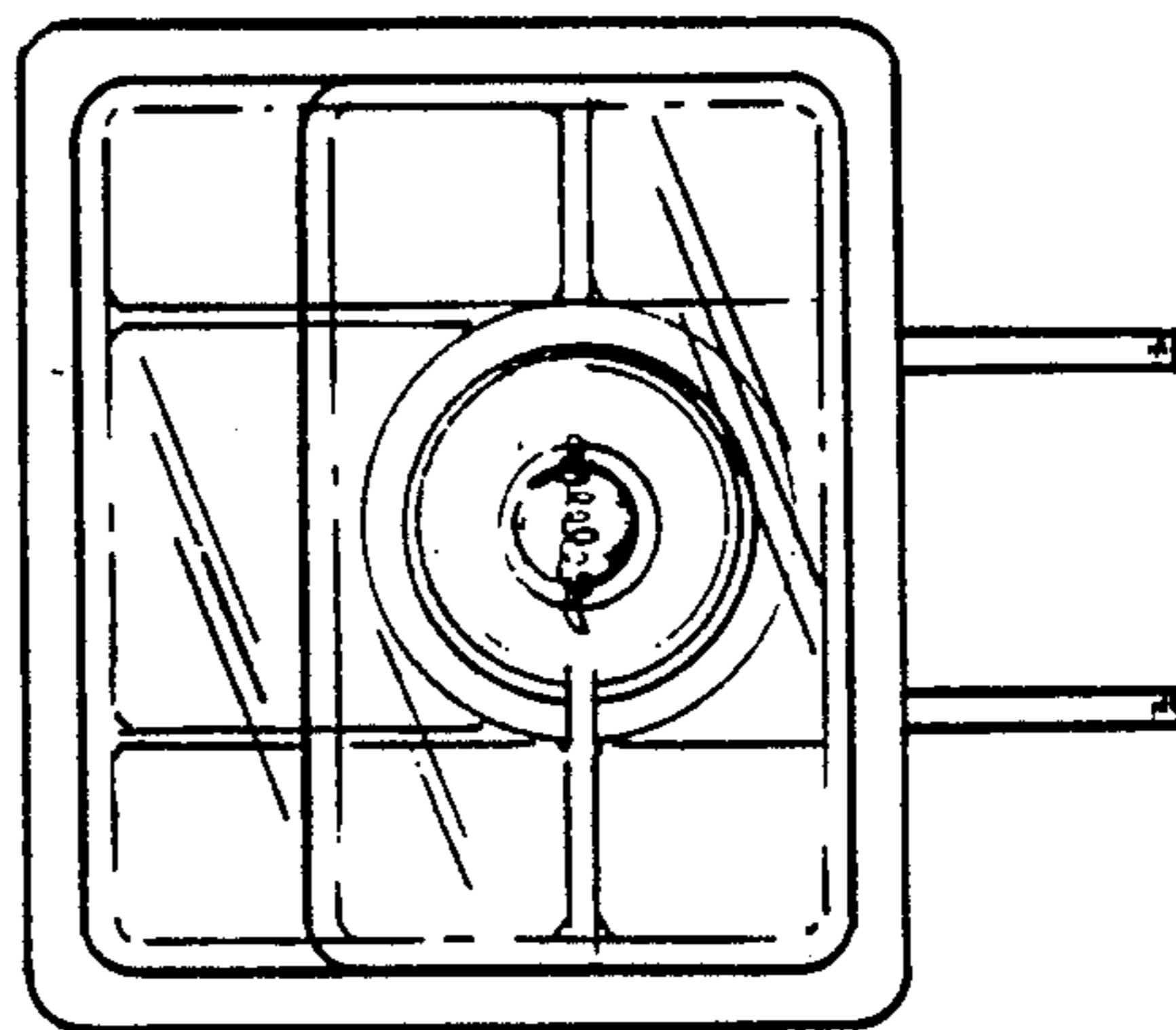


FIG. 4

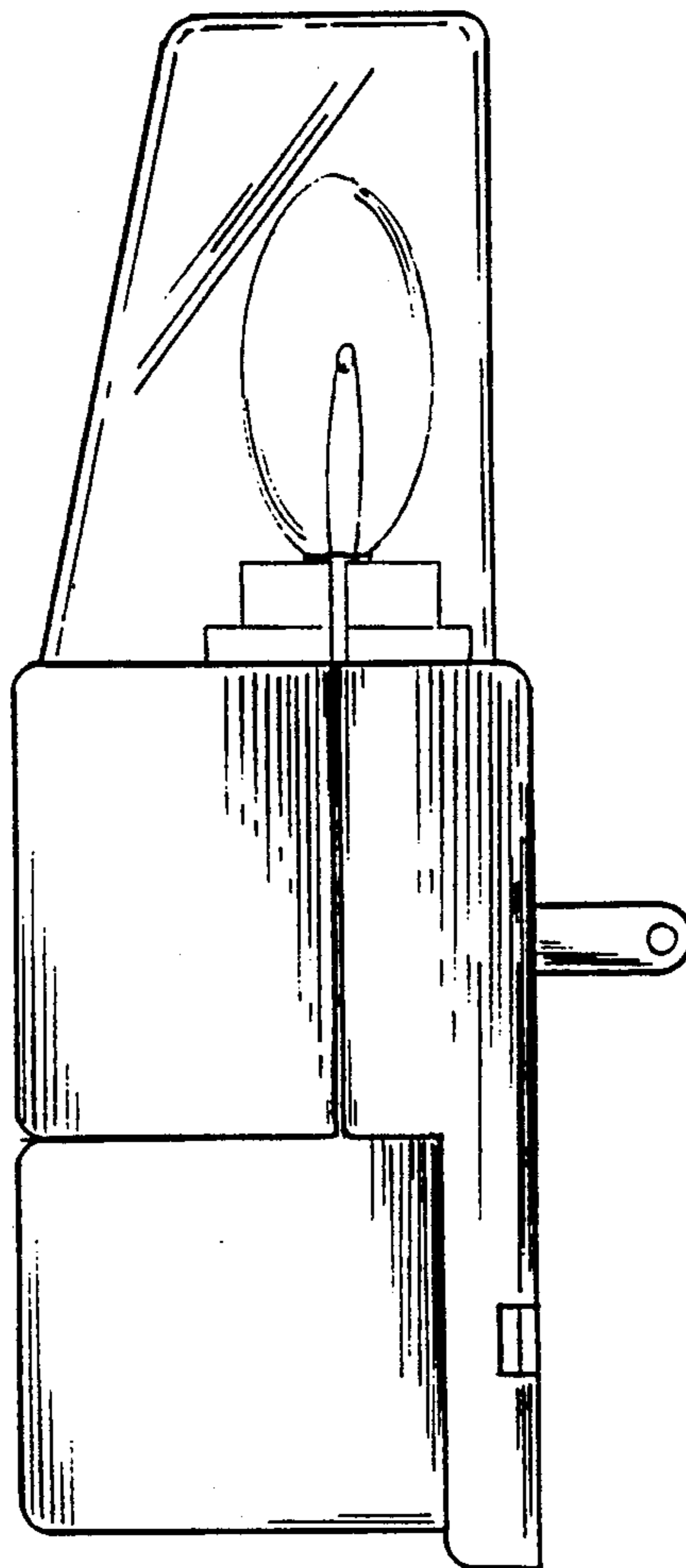


FIG. 5

