

[54] **INTERLOCKING PAVING STONE**

2,099,149 2/1937 Turnquist D25/113

[76] **Inventor: Jean-Jacques Brock, Chemin des Thiers 31, B - 4040 Tilff, Belgium**

FOREIGN PATENT DOCUMENTS

10311 of 0000 United Kingdom 52/604

[**] **Term: 14 Years**

OTHER PUBLICATIONS

[21] **Appl. No.: 234,848**

Modular Concrete Block publication dated Jun. 1984, p. 23, illustration on third row extreme right of page, item #PF-504.

[22] **Filed: Aug. 19, 1988**

[30] **Foreign Application Priority Data**

Feb. 23, 1988 [XB] Benelux 62994-01

[52] **U.S. Cl. D25/113**

[58] **Field of Search D25/112-118, D25/138, 140-144, 151-162; 52/102, 596, 598, 602-608; 404/17, 19, 27, 29, 34-42**

Primary Examiner—A. Hugo Word
Assistant Examiner—Doris Clark
Attorney, Agent, or Firm—Herbert Dubno

[57] **CLAIM**

The ornamental design for an interlocking paving stone, as shown.

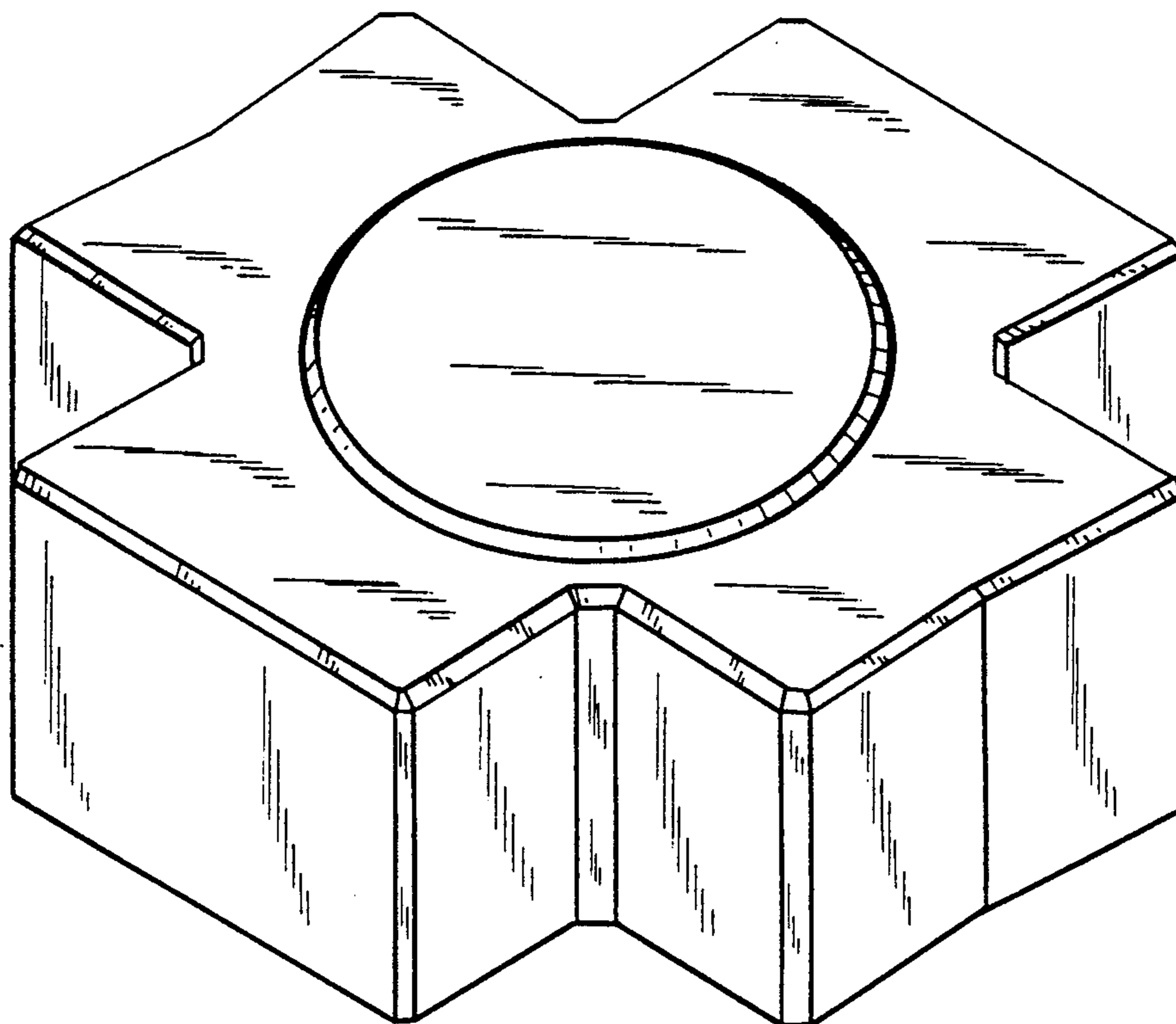
[56] **References Cited**

U.S. PATENT DOCUMENTS

653,515	7/1900	Kennedy	52/604
741,497	10/1903	Ivery	52/608
1,198,940	9/1916	McGiehan	52/596
1,456,499	5/1923	Gerald	52/609
1,976,575	10/1934	MacDonald	52/603

DESCRIPTION

FIG. 1 is a perspective view of an interlocking paving stone showing my new design;
FIG. 2 is a front elevational view thereof;
FIG. 3 is a top plan view thereof;
FIG. 4 is a side elevational view thereof; and
FIG. 5 is a bottom plan view thereof.



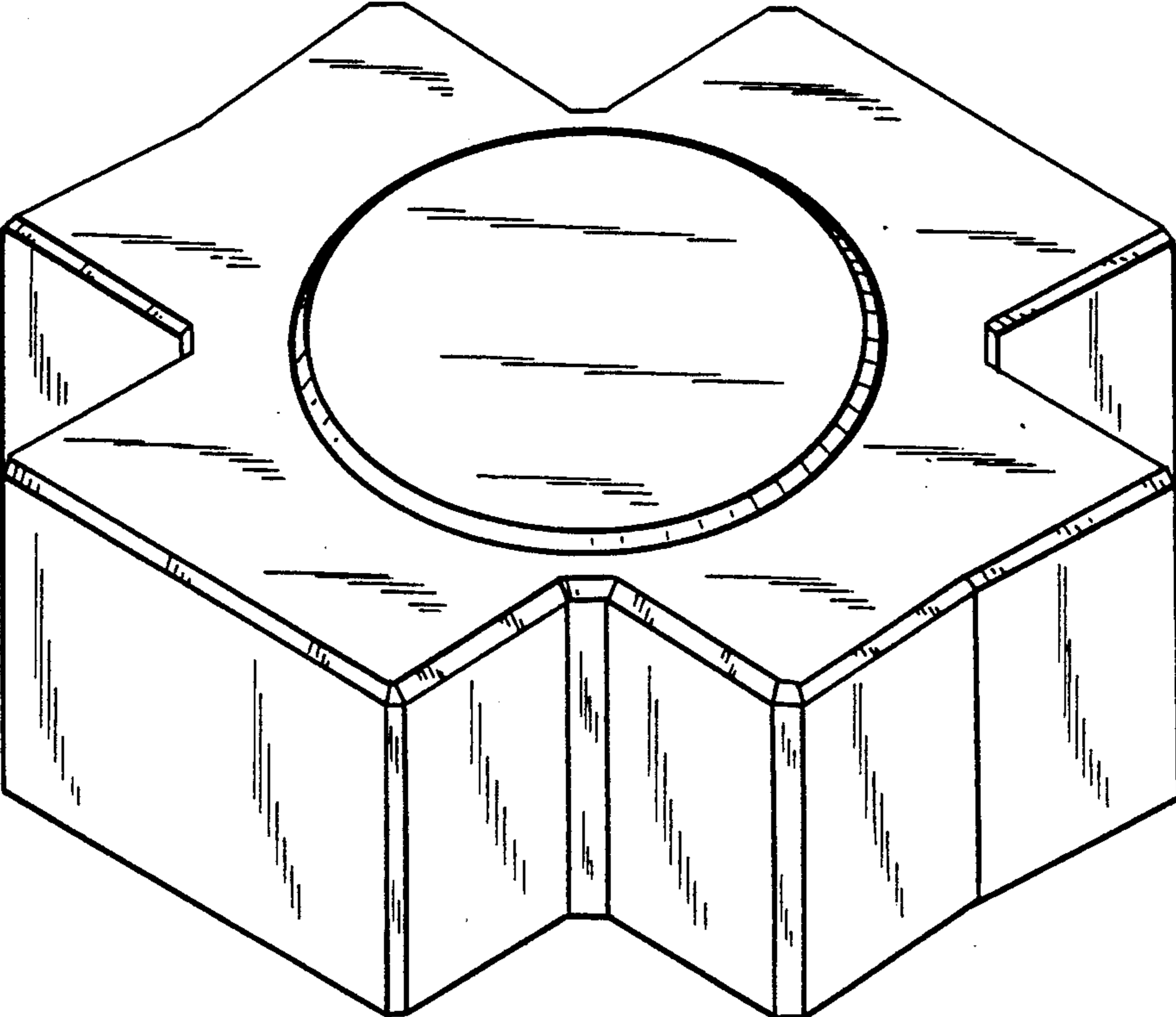


FIG. 1

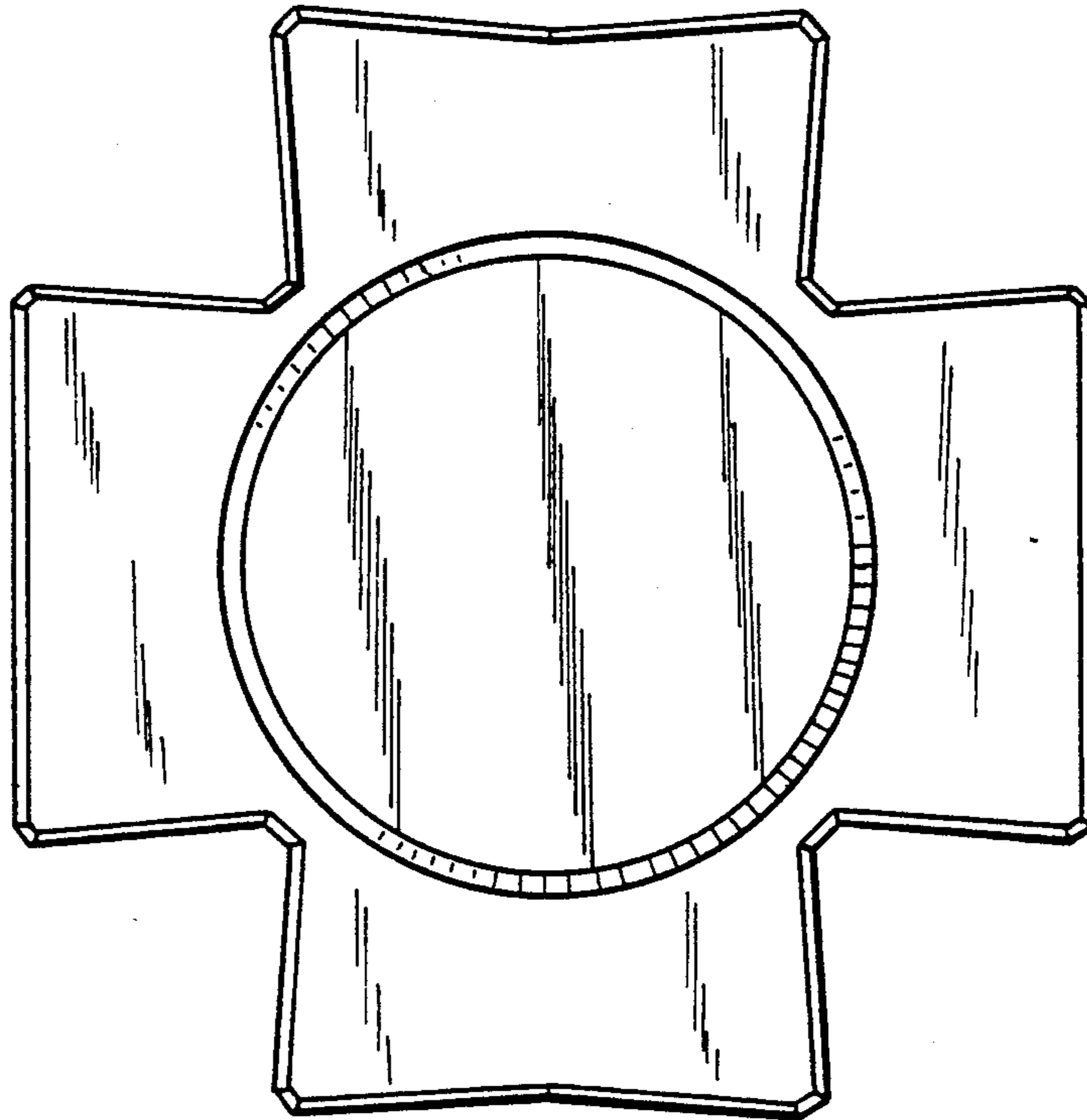


FIG. 3

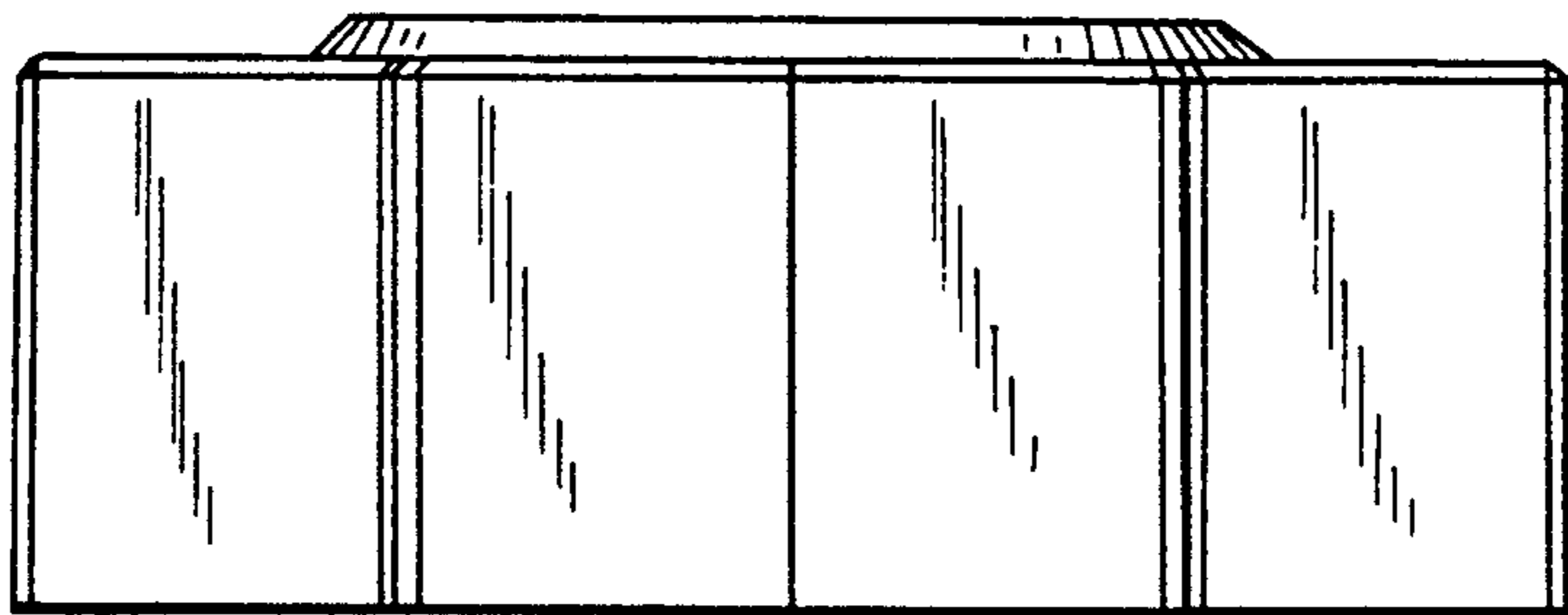


FIG. 2

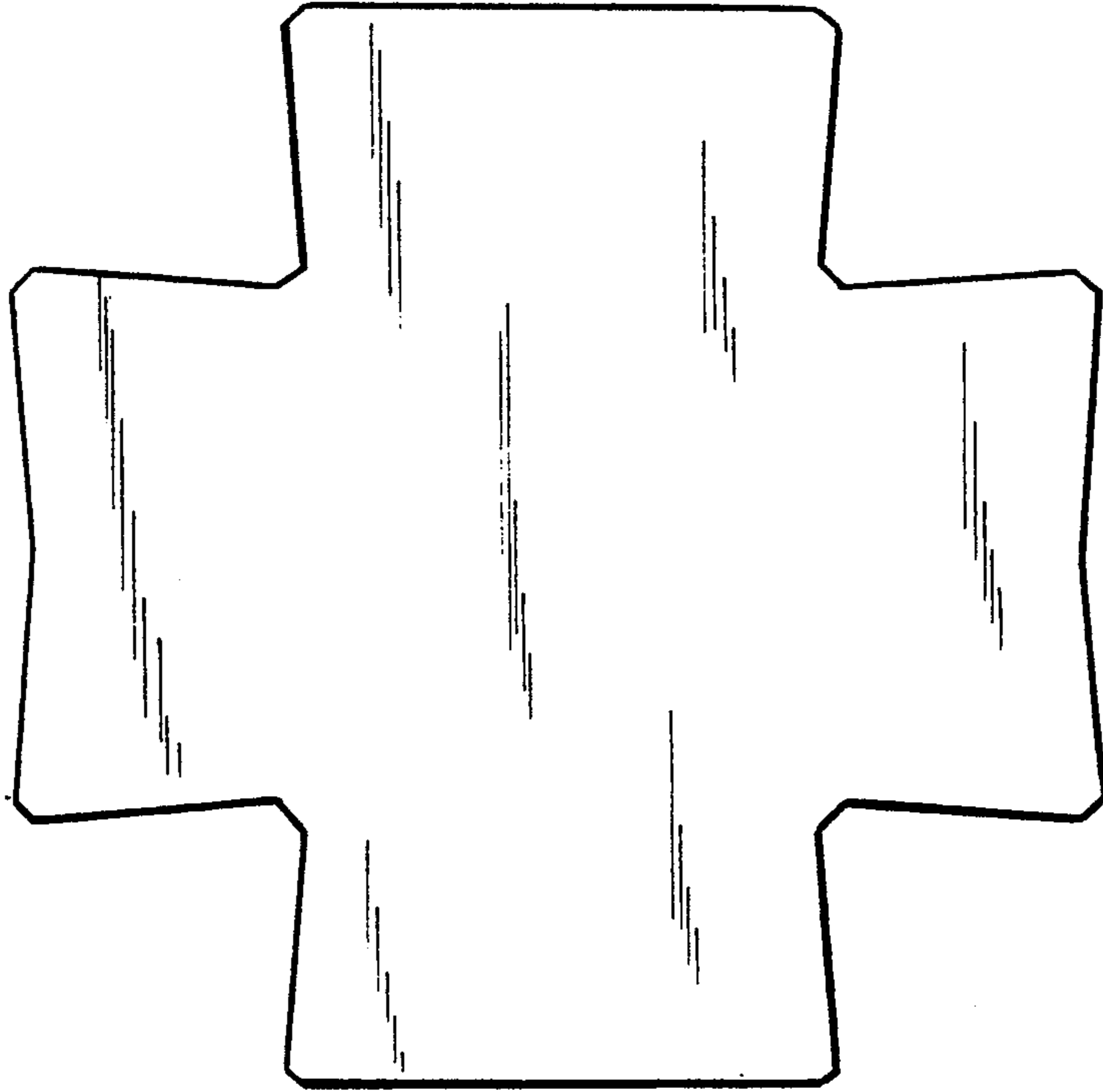


FIG. 5

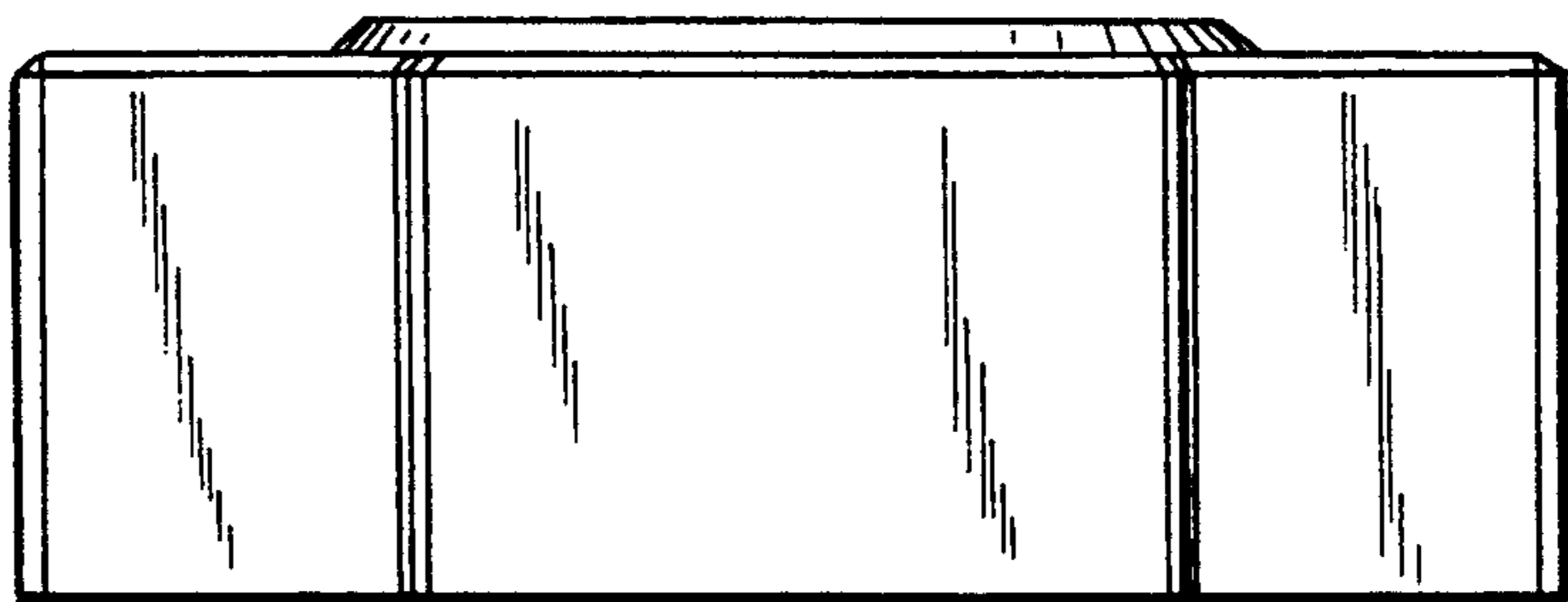


FIG. 4