

United States Patent [19]

Lanier

[11] Patent Number: Des. 314,828

[45] Date of Patent: ** Feb. 19, 1991

[54] SAWBUCK

[76] Inventor: Brent M. Lanier, 5747 Hagan Stone Pk. Rd., Pleasant Gardens, N.C. 27313

[**] Term: 14 Years

[21] Appl. No.: 149,679

[22] Filed: Jan. 28, 1988

[52] U.S. Cl. D25/67

[58] Field of Search D25/62, 63, 64, 67; 182/181, 182, 183, 184, 185, 186, 151; 144/286 R, 286 A; 272/101, 102, 103, 104; D21/191, 199, 235

[56] References Cited

U.S. PATENT DOCUMENTS

D. 245,105	7/1977	Rader	D25/67
1,122,158	12/1914	Reach	272/103
1,462,707	7/1923	Lawlor	182/181

2,633,221	3/1953	Roeder	182/184
4,008,892	2/1977	Nissen	272/102

FOREIGN PATENT DOCUMENTS

243633	12/1925	United Kingdom	272/103
--------	---------	----------------	-------	---------

OTHER PUBLICATIONS

Medart Catalog of Gymnasium Apparatus, ©1914, p. 86, Adjustable Hurdles top center of pg.

Primary Examiner—A. Hugo Word

Assistant Examiner—Doris Clark

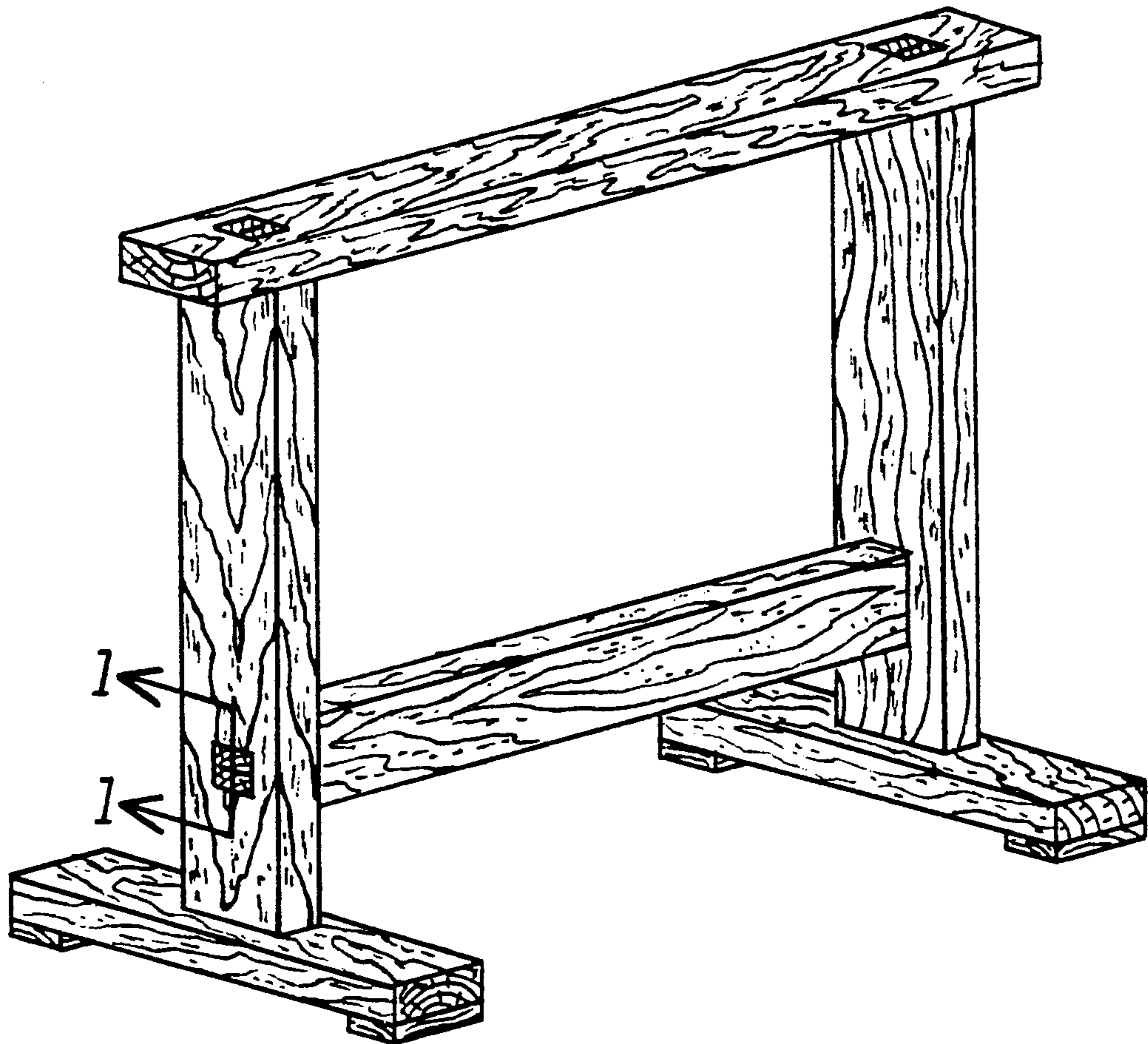
[57] CLAIM

The ornamental design for a sawbuck, as shown.

DESCRIPTION

FIG. 1 is a cross-sectional view taken along line 1—1 of FIG. 2; and

FIG. 2 is a perspective view of a sawbuck showing my new design.



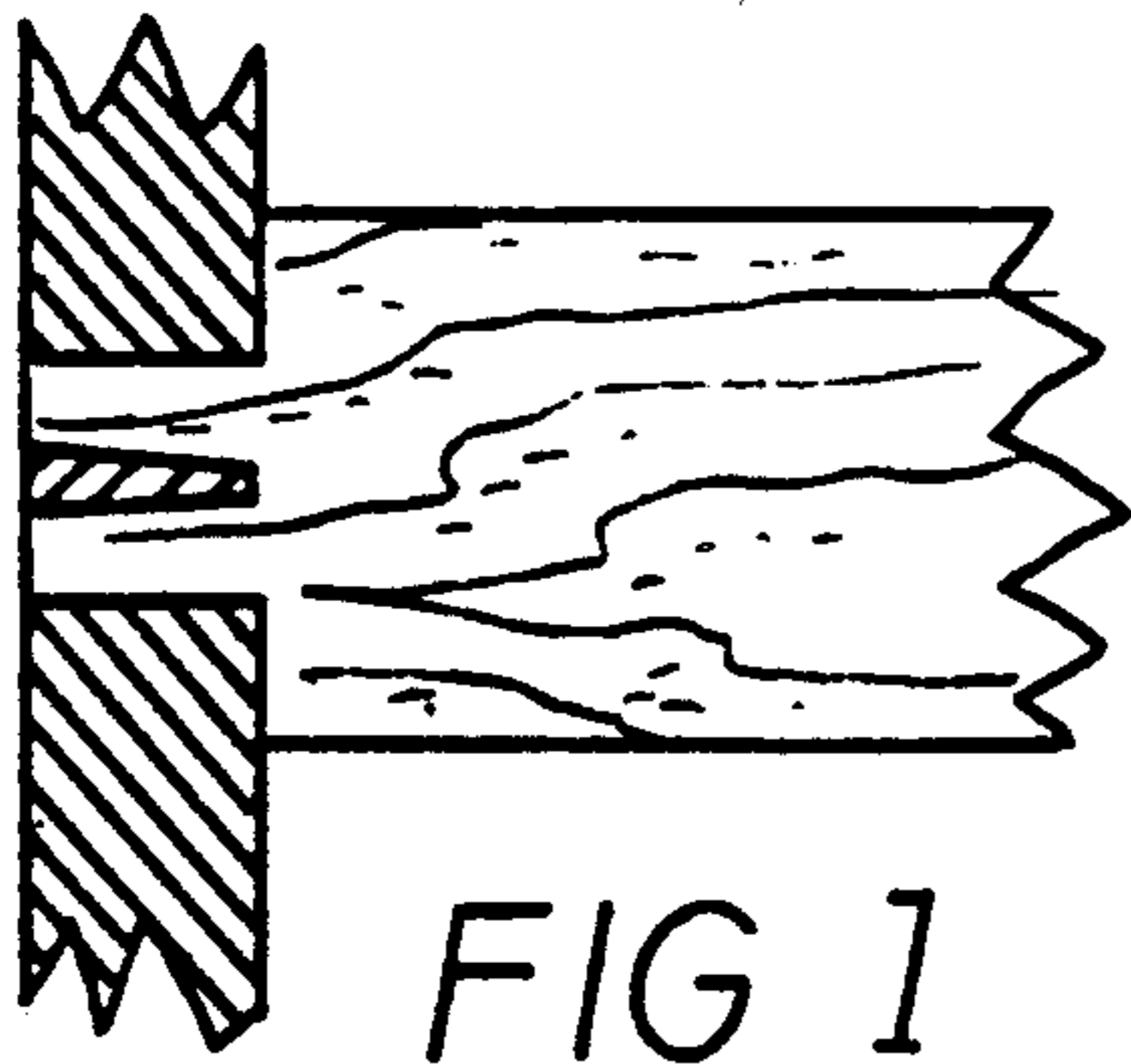


FIG 1

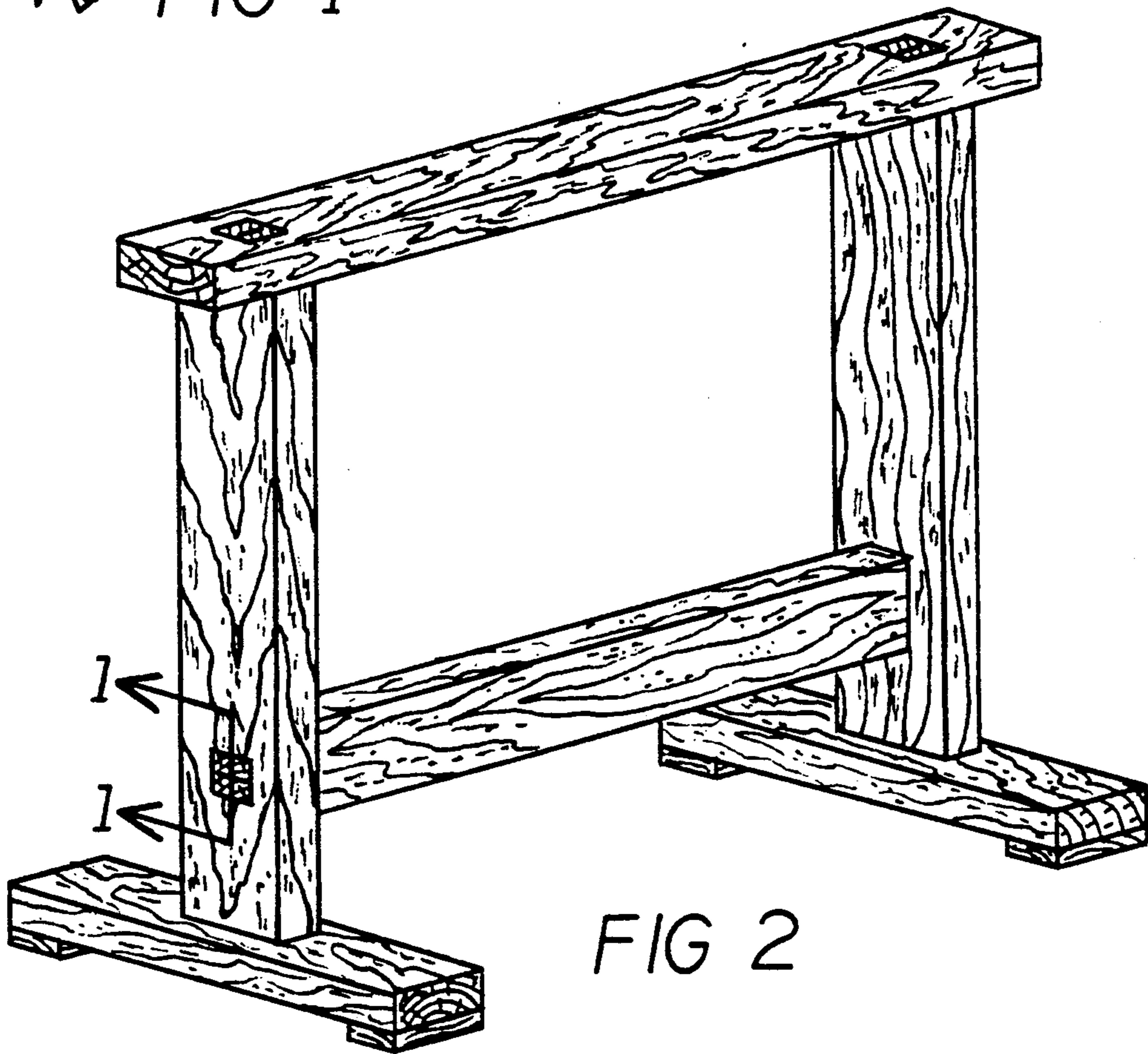


FIG 2