

[54] **SKIN RETRACTOR**

[76] **Inventor:** **Randall J. Torre**, 842 S. Clover, San Jose, Calif. 95128

[\*\*] **Term:** **14 Years**

[21] **Appl. No.:** **332,093**

[22] **Filed:** **Mar. 31, 1989**

[52] **U.S. Cl. .... D24/27**

[58] **Field of Search ..... D24/26, 27, 28, 18, D24/10; 128/20, 17, DIG. 15, 754, 334 R, 335**

[56] **References Cited**

**U.S. PATENT DOCUMENTS**

4,034,746	7/1977	Williams	.....	128/20
4,337,762	7/1982	Gauthier	.....	128/20
4,621,619	11/1986	Sharpe	.....	128/20

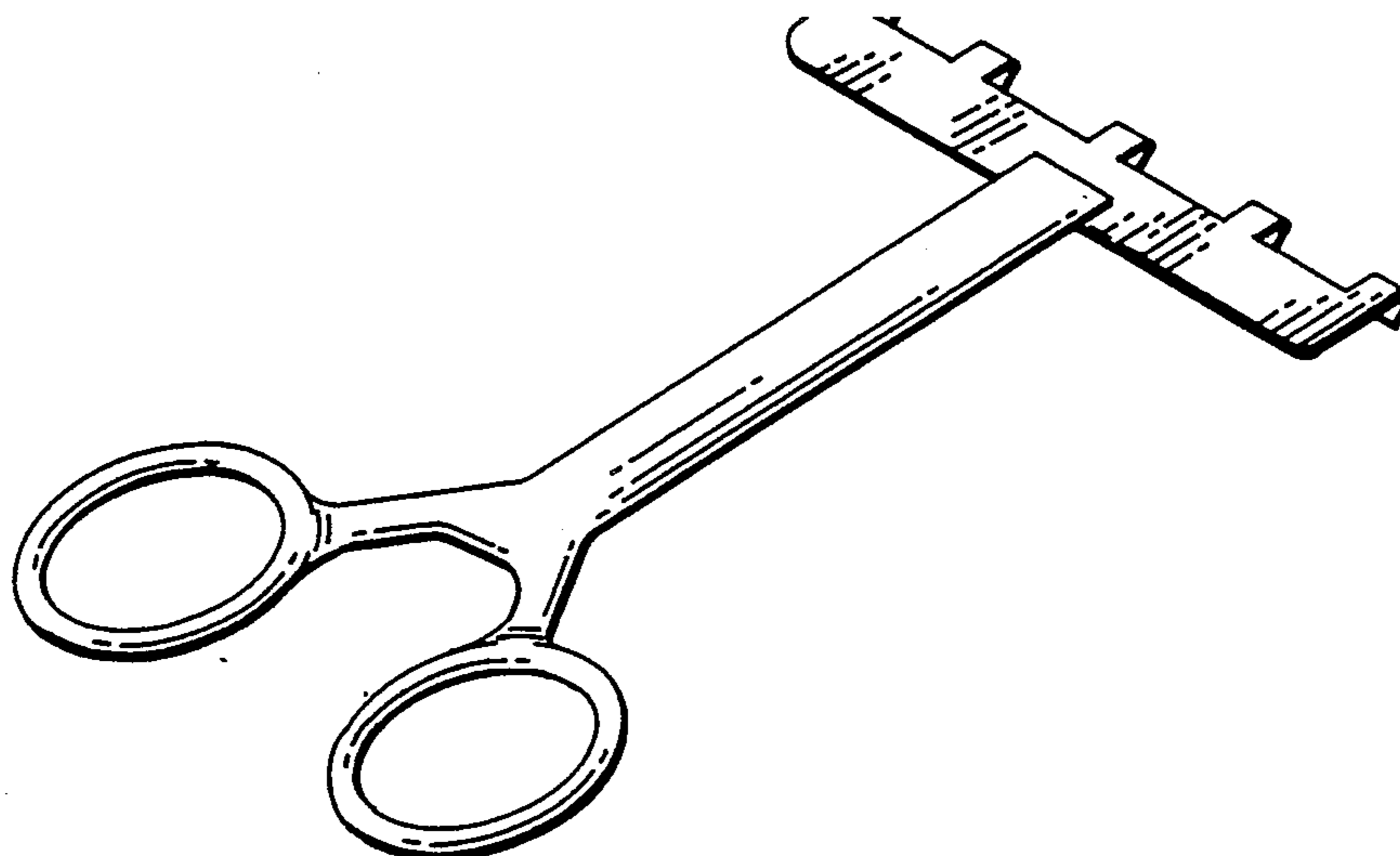
*Primary Examiner*—Stella Reid  
*Attorney, Agent, or Firm*—Schroeder, Davis & Orliss Inc.

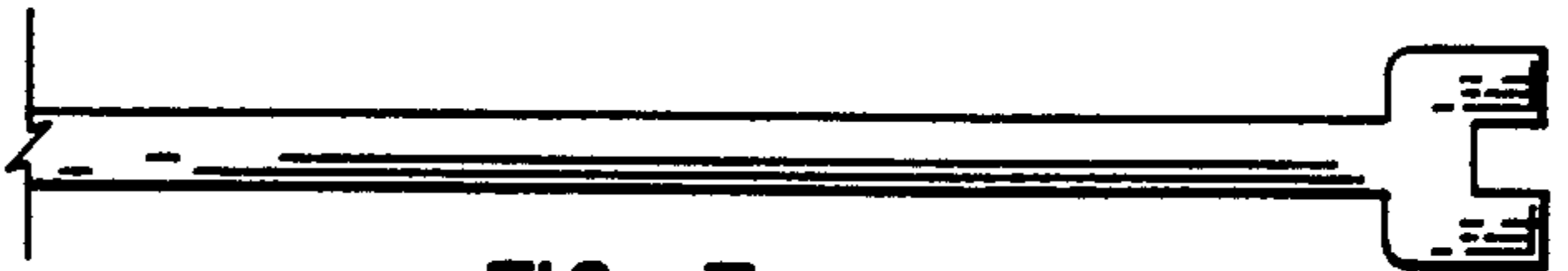
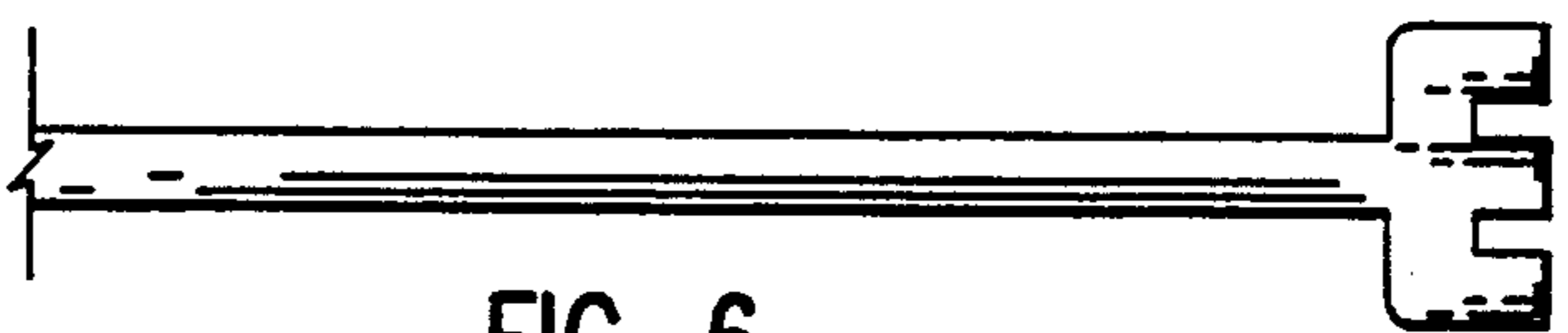
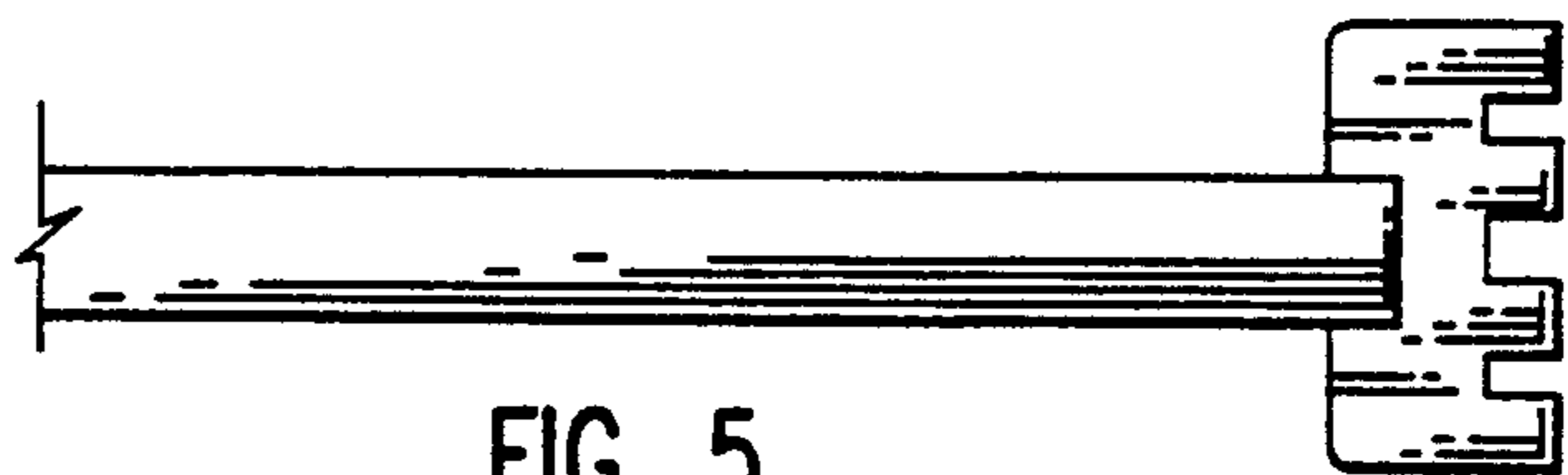
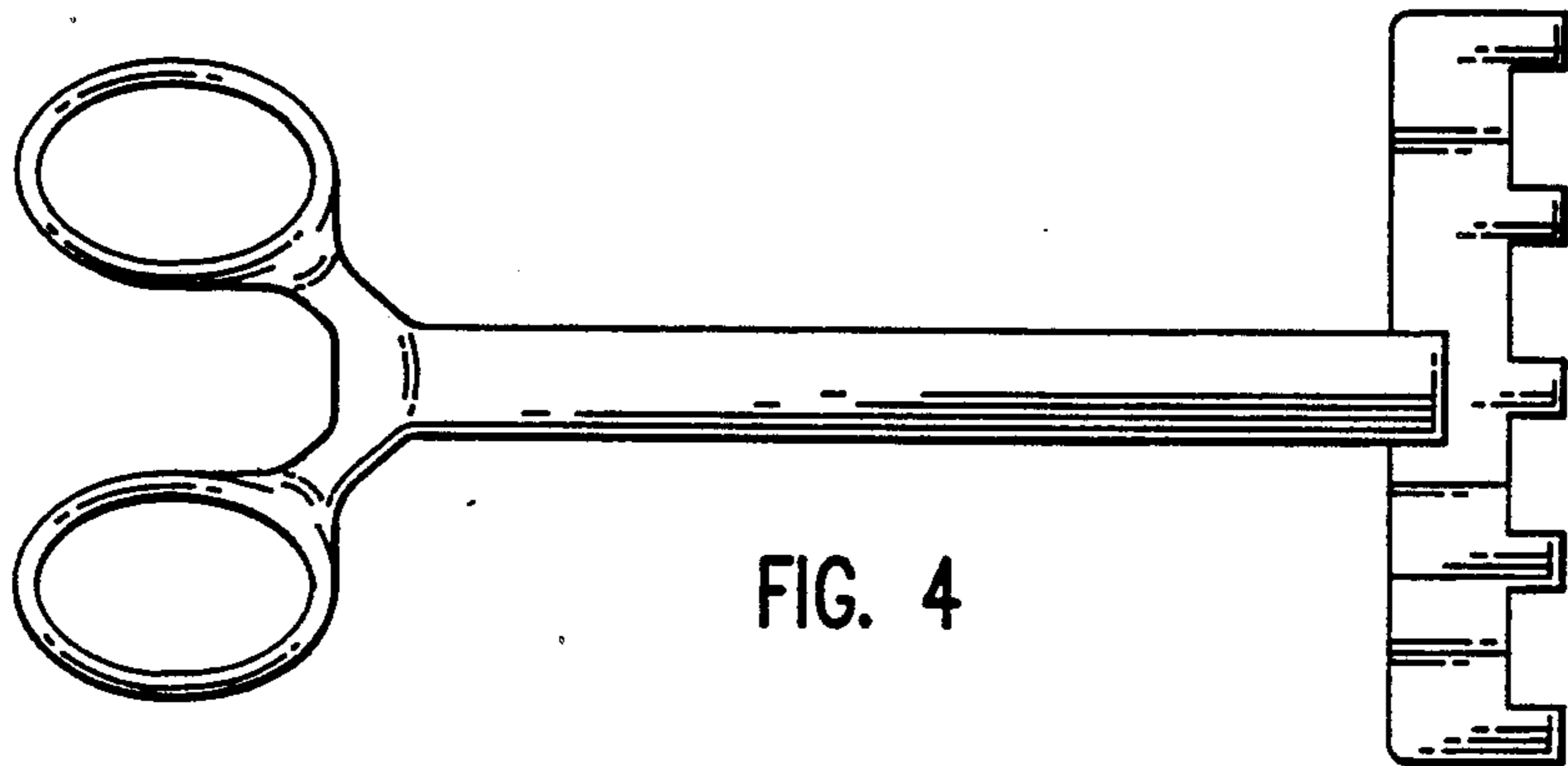
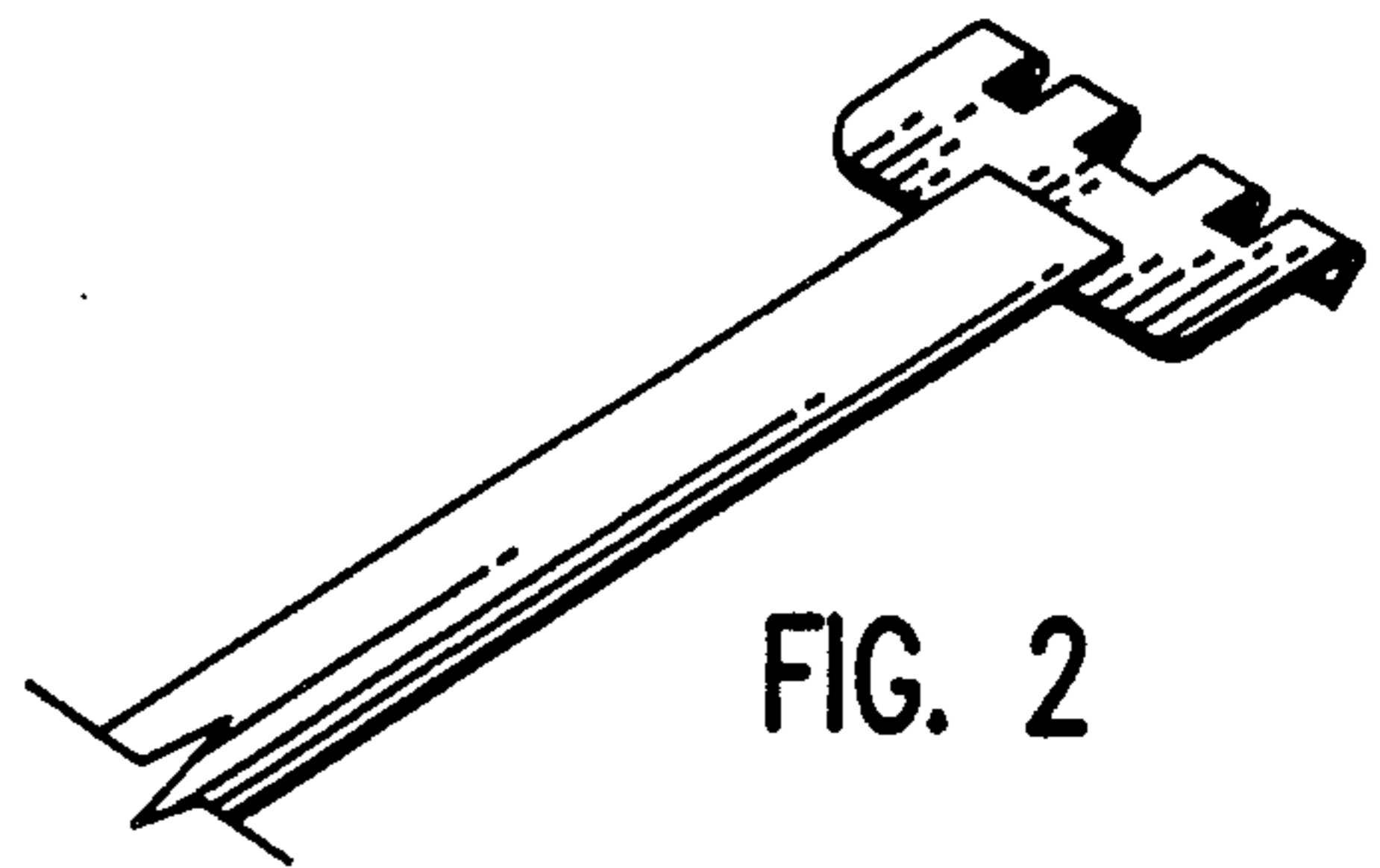
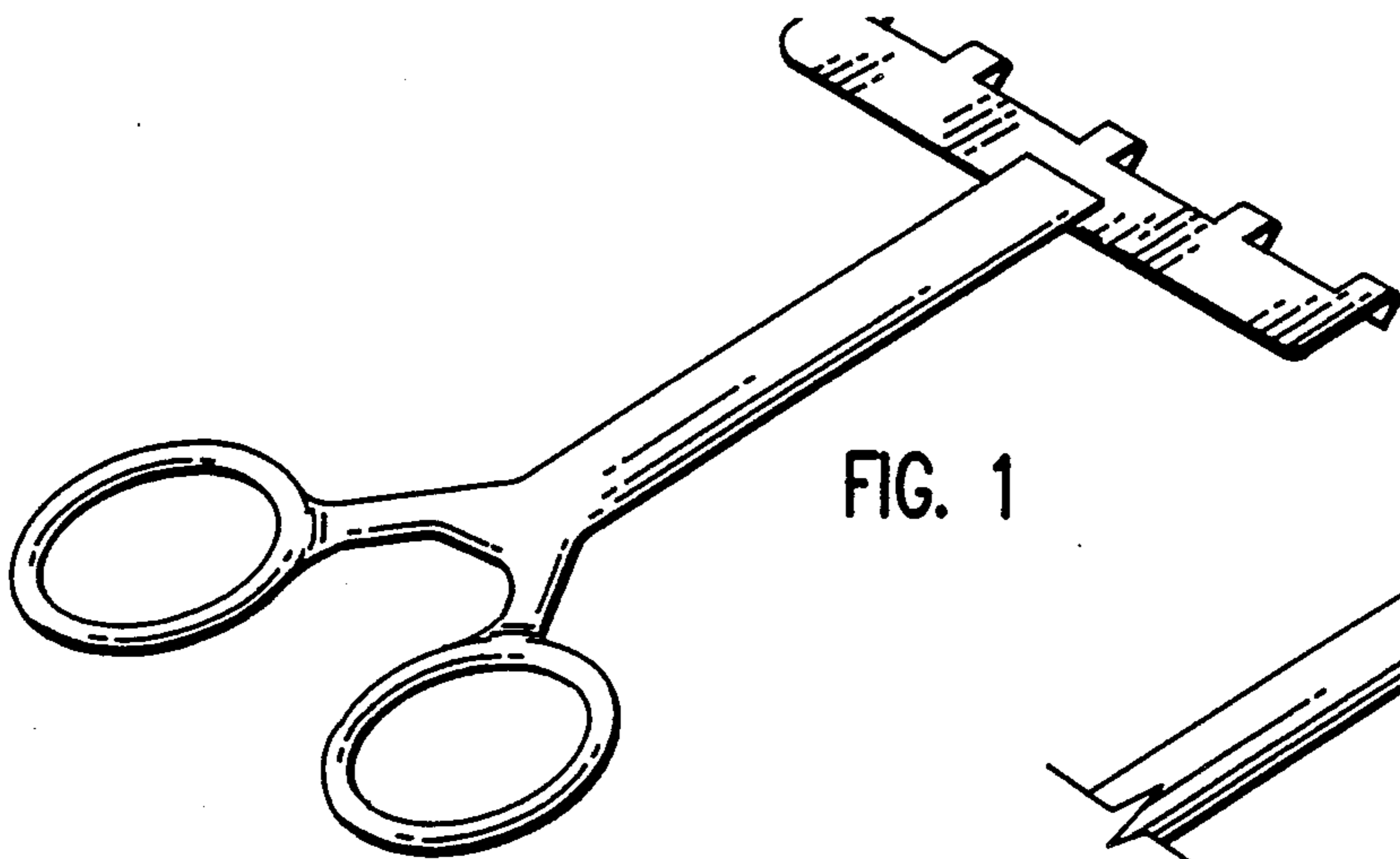
[57] **CLAIM**

The ornamental design for a skin retractor, as shown and described.

**DESCRIPTION**

FIG. 1 is a perspective view of a skin retractor showing my new design;  
FIG. 2 is a fragmentary perspective view of a second embodiment of FIG. 1, wherein the only difference resides in the distal end, the remaining portions being identical to that shown in FIGS. 1, 3, 4 and 8-10;  
FIG. 3 is a side elevational view thereof;  
FIG. 4 is a top plan view thereof;  
FIG. 5 is a fragmentary top plan view of a third embodiment of FIG. 1, wherein the only difference resides in the distal end, the remaining portions being identical to that shown in FIGS. 1, 3, 4 and 8-10;  
FIG. 6 is a fragmentary top plan view of a fourth embodiment of FIG. 1, wherein the only difference resides in the distal end, of the remaining portions being identical to that shown in FIGS. 1, 3, 4 and 8-10;  
FIG. 7 is a fragmentary top plan view of a fifth embodiment of FIG. 1, wherein the only difference resides in the distal end;  
FIG. 8 is a bottom plan view thereof;  
FIG. 9 is an end elevational view thereof, from the distal end; and  
FIG. 10 is an end elevational view thereof, from the handle end;  
FIG. 11 is a fragmentary top plan view of the second embodiment of FIG. 1.





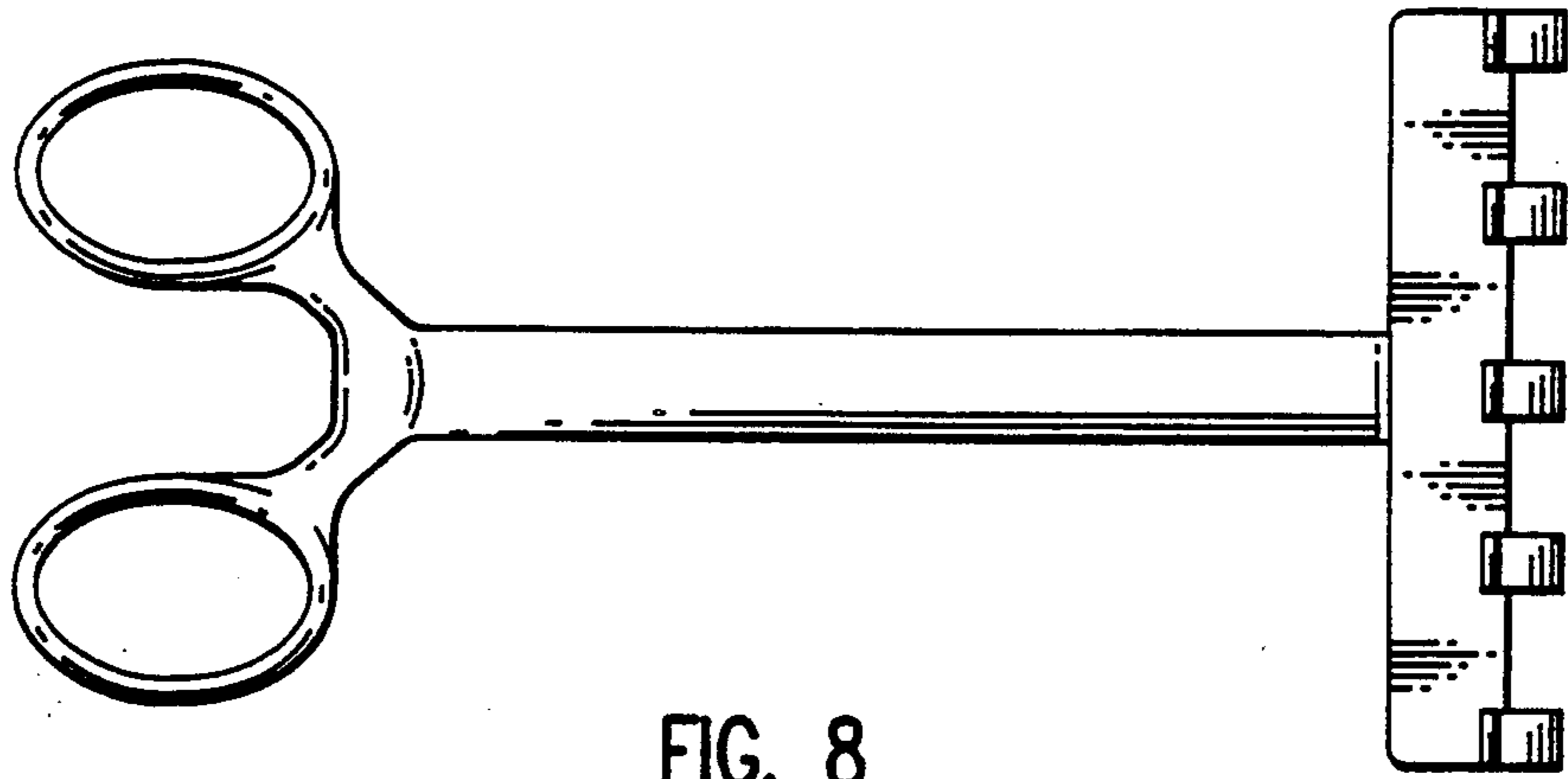


FIG. 8

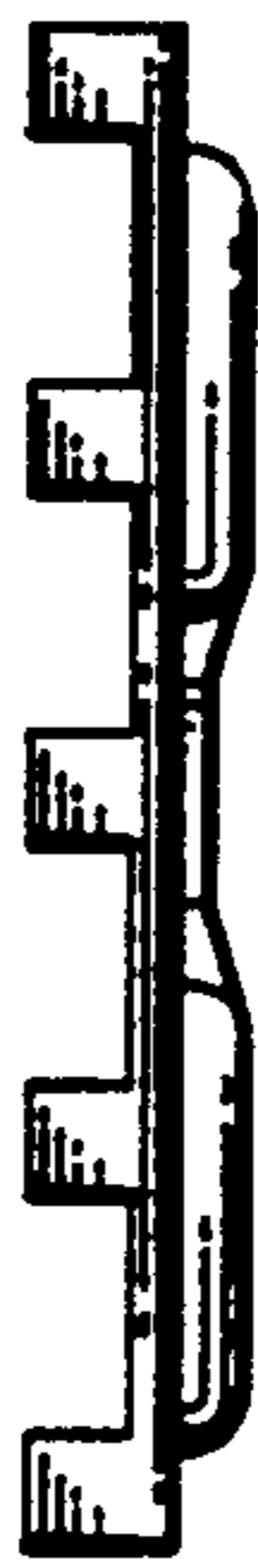


FIG. 9



FIG. 10

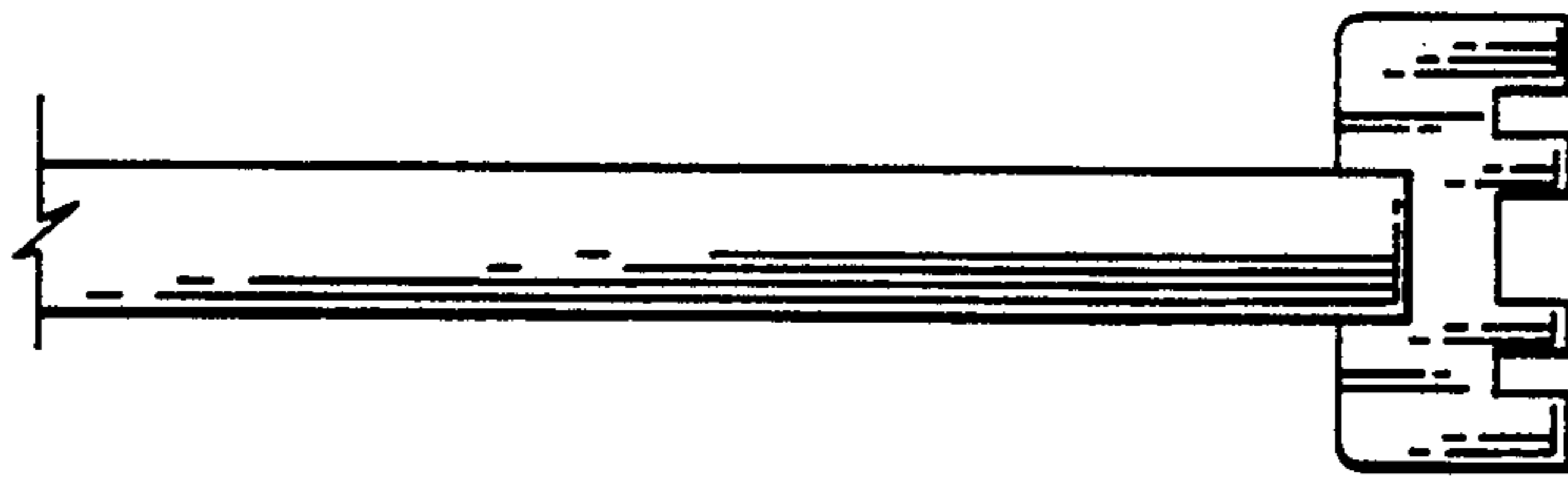


FIG. 11