

[54] **GUTTER SECTION WITH COMBINED GUTTER AND SUPPORT**

[75] **Inventor: Arne Paulsson, Järnforsen, Sweden**

[73] **Assignee: AB Siba-Verken, Sweden**

[\*\*] **Term: 14 Years**

[21] **Appl. No.: 120,007**

[22] **Filed: Nov. 13, 1987**

[30] **Foreign Application Priority Data**

May 13, 1987 [SE] Sweden ..... 871072

[52] **U.S. Cl. .... D23/267**

[58] **Field of Search ..... 52/11-18; D23/267; D25/119; 248/48.2**

[56] **References Cited**

**U.S. PATENT DOCUMENTS**

D. 217,247	4/1970	Brown .	
D. 306,201	2/1990	Paulsson .....	D23/267
846,238	3/1907	O'Dowd .....	52/11
891,405	6/1908	Cassens .....	52/12
1,058,240	4/1913	Hyke .....	52/11
2,271,081	1/1941	Layton .....	52/15
2,421,978	2/1946	Andrews .....	52/11
2,784,687	3/1957	Hovey .	
2,843,063	7/1958	Thomson .....	52/11

3,022,029	2/1962	Blayden .....	248/48.2
3,023,544	3/1962	Hughes .....	52/12
3,067,881	12/1962	Goosmann .....	52/12
3,091,055	5/1963	Hegedusich .....	52/11
3,295,803	1/1967	Blayden .	
3,296,749	1/1967	Cotter .	
3,333,803	8/1967	Landis .....	52/11
3,826,048	7/1974	Merkin et al. ....	52/11
4,117,635	10/1978	Nelson .	
4,241,548	12/1980	Rowe .	
4,632,342	12/1986	Skinner .	

*Primary Examiner*—James R. Largen  
*Assistant Examiner*—Demetrius Reynolds  
*Attorney, Agent, or Firm*—Davis, Bujold & Streck

[57] **CLAIM**

The ornamental design for combined gutter and support, as shown and described.

**DESCRIPTION**

FIG. 1 is a perspective view of a combined gutter and support showing my new design; FIG. 2 is a perspective view of the support portion thereof; and FIG. 3 is a perspective view of the gutter portion thereof. The gutter has been shown broken away in FIGS. 1 and 3 to indicate indeterminate length.

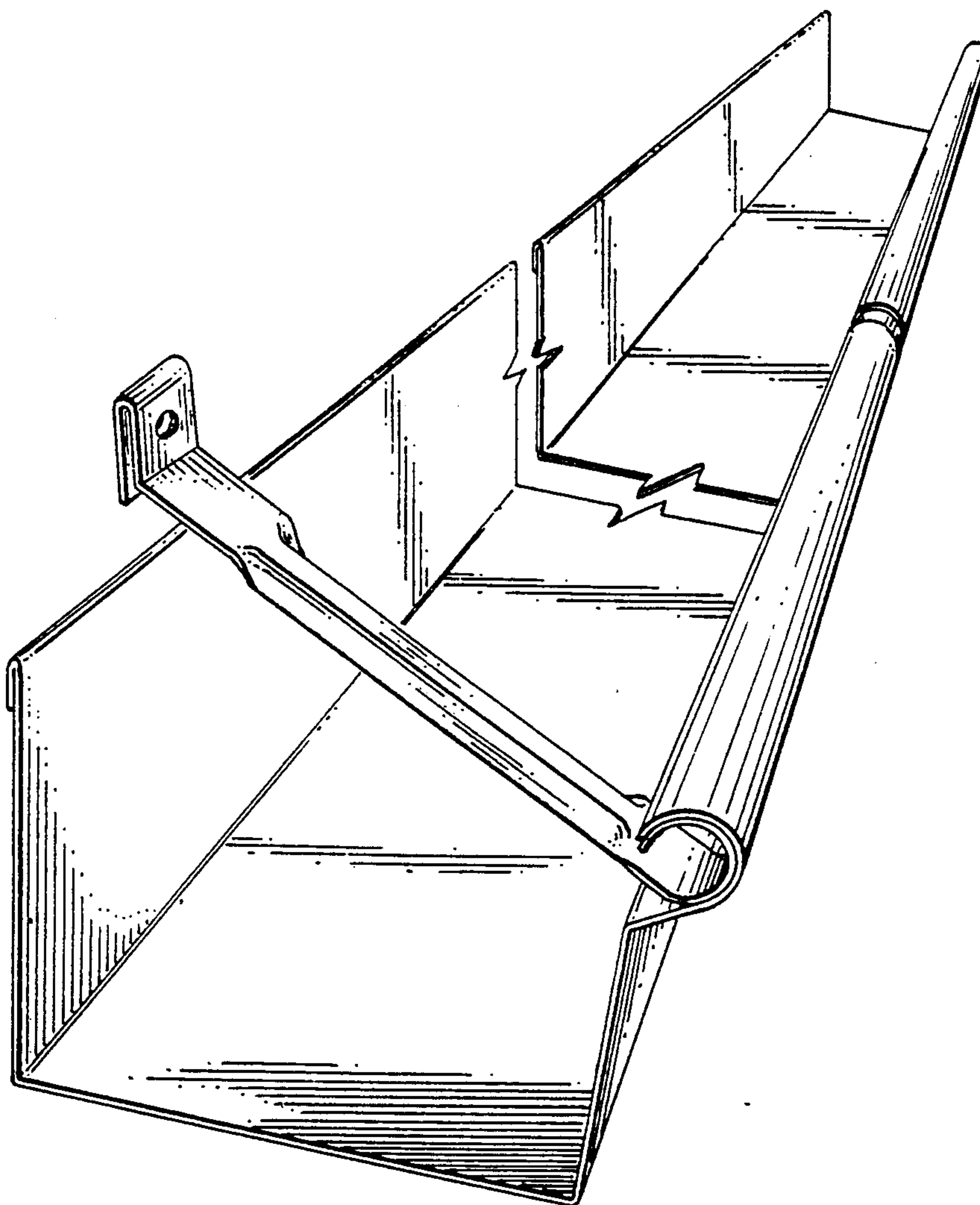
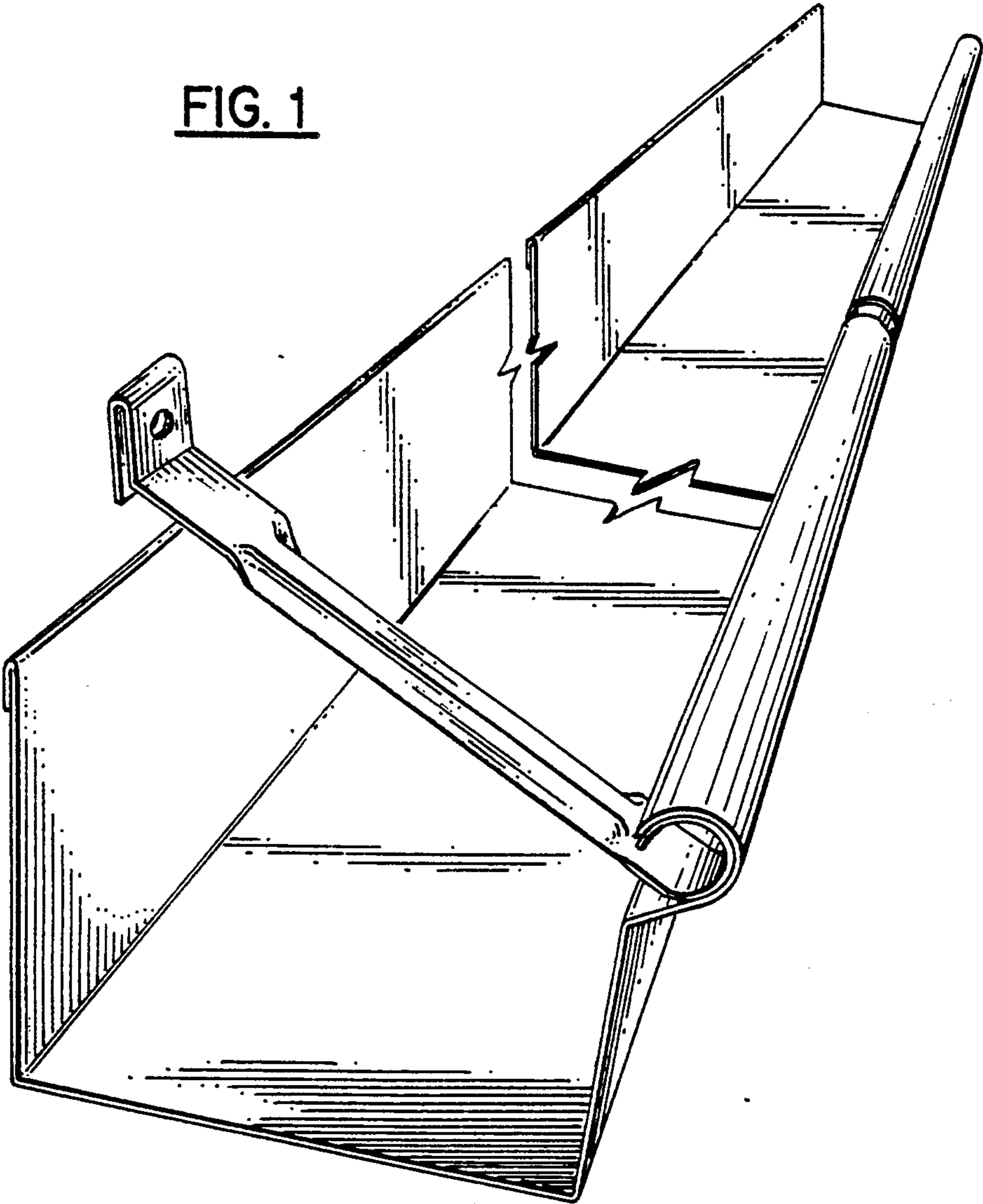


FIG. 1



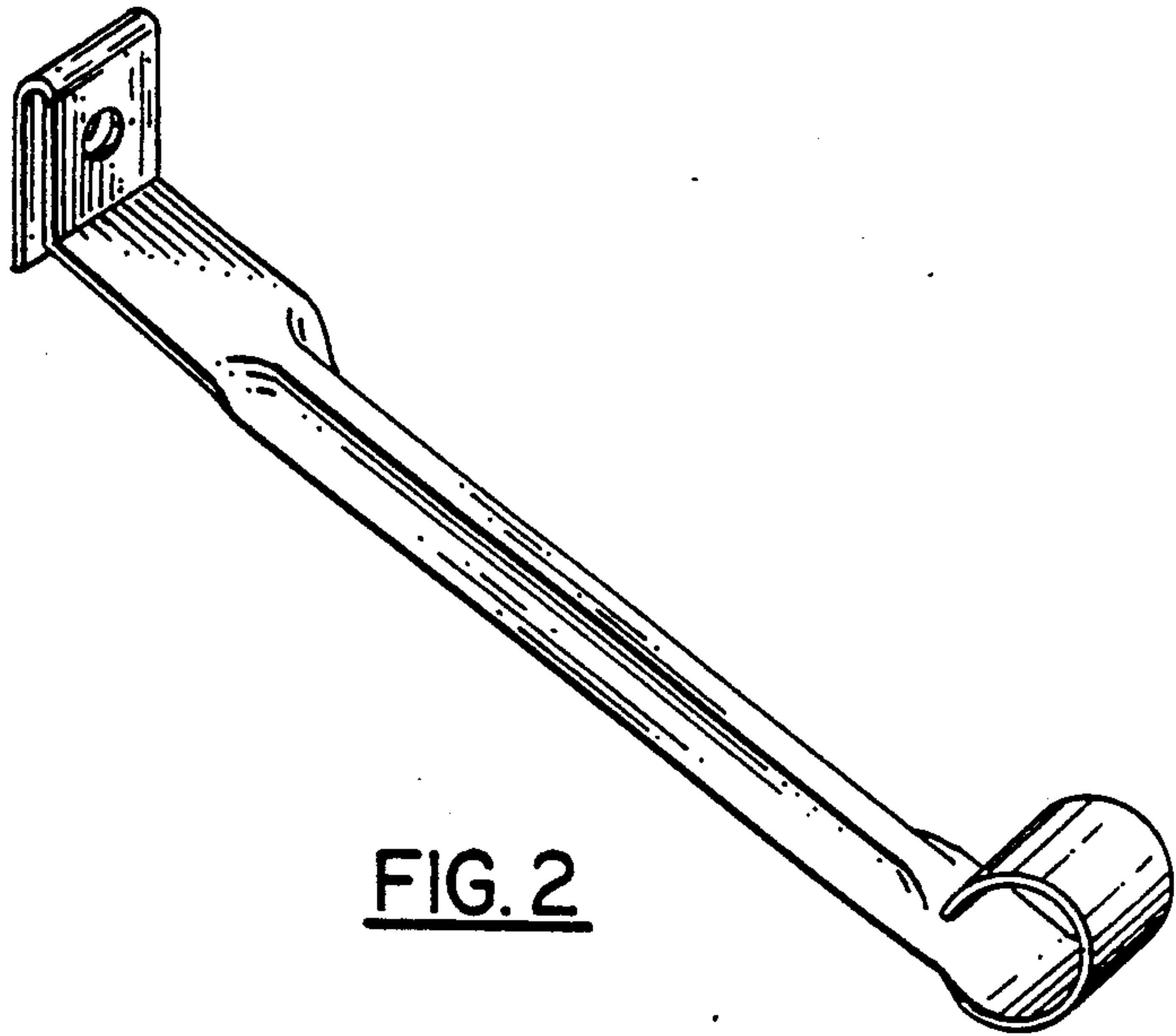


FIG. 2

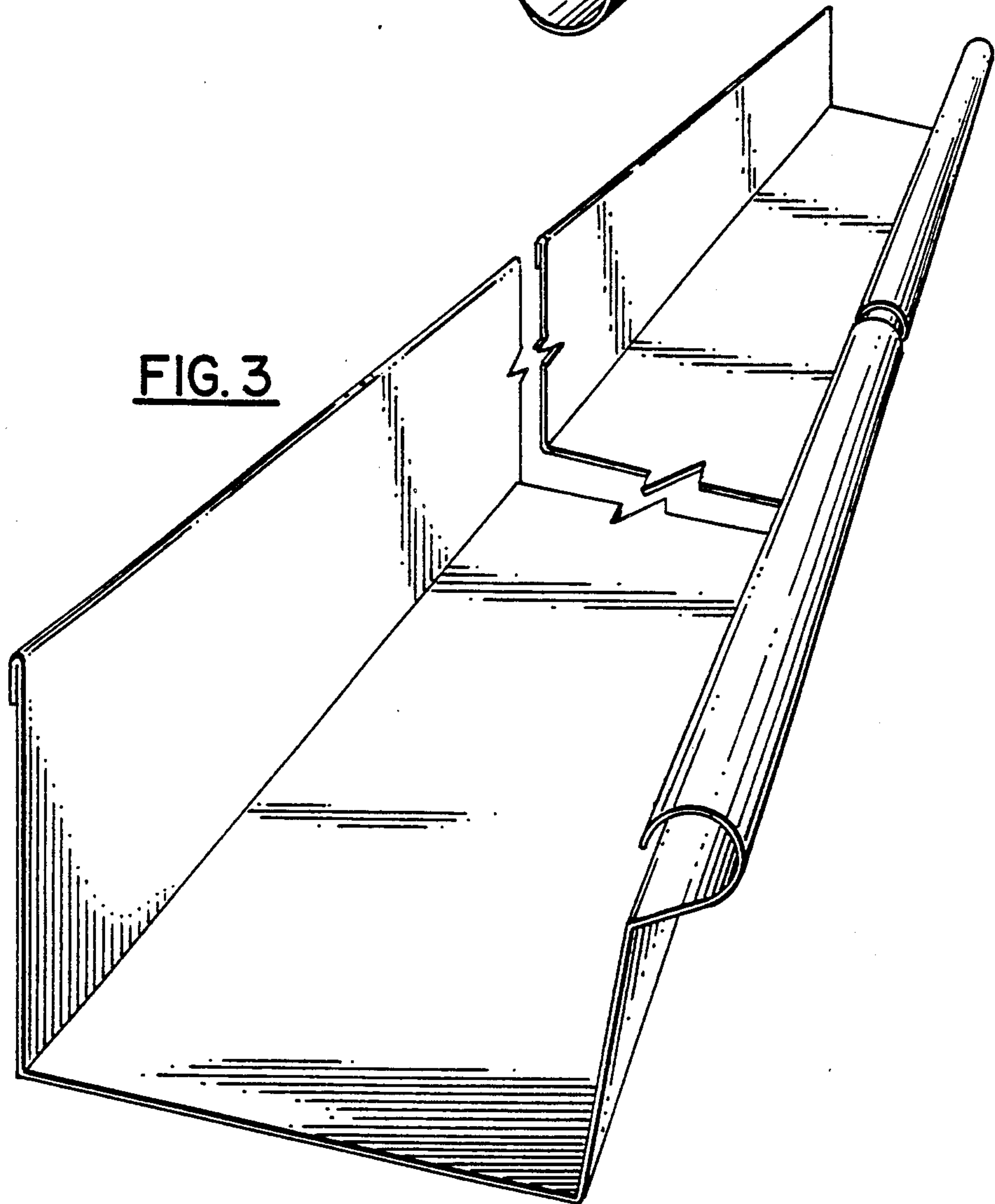


FIG. 3