

[54] **HOSE COUPLER**
 [75] **Inventor: Peter H. Lubeck, Grand Rapids, Mich.**
 [73] **Assignee: Root Lowell Manufacturing Co., Lowell, Mich.**
 [**] **Term: 14 Years**
 [21] **Appl. No.: 929,660**
 [22] **Filed: Nov. 12, 1986**
 [52] **U.S. Cl. D23/262**
 [58] **Field of Search D23/259-269; 285/256-331**

D. 239,018 3/1976 Knox D23/247
 1,540,504 6/1925 Seaman 285/331
 2,517,669 8/1950 Hufferd et al. 285/256

Primary Examiner—James R. Largen
Attorney, Agent, or Firm—Price, Heneveld, Cooper, DeWitt & Litton

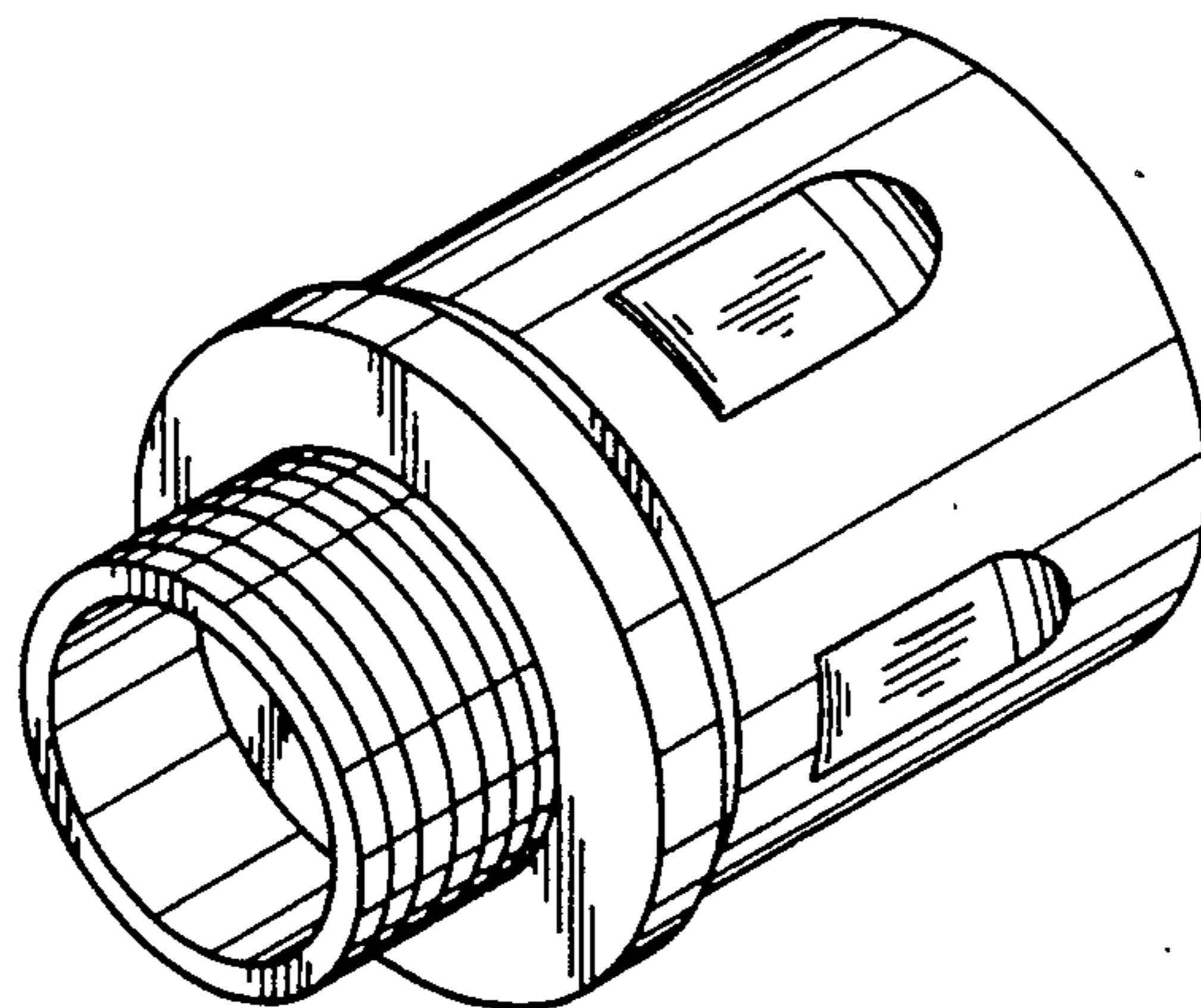
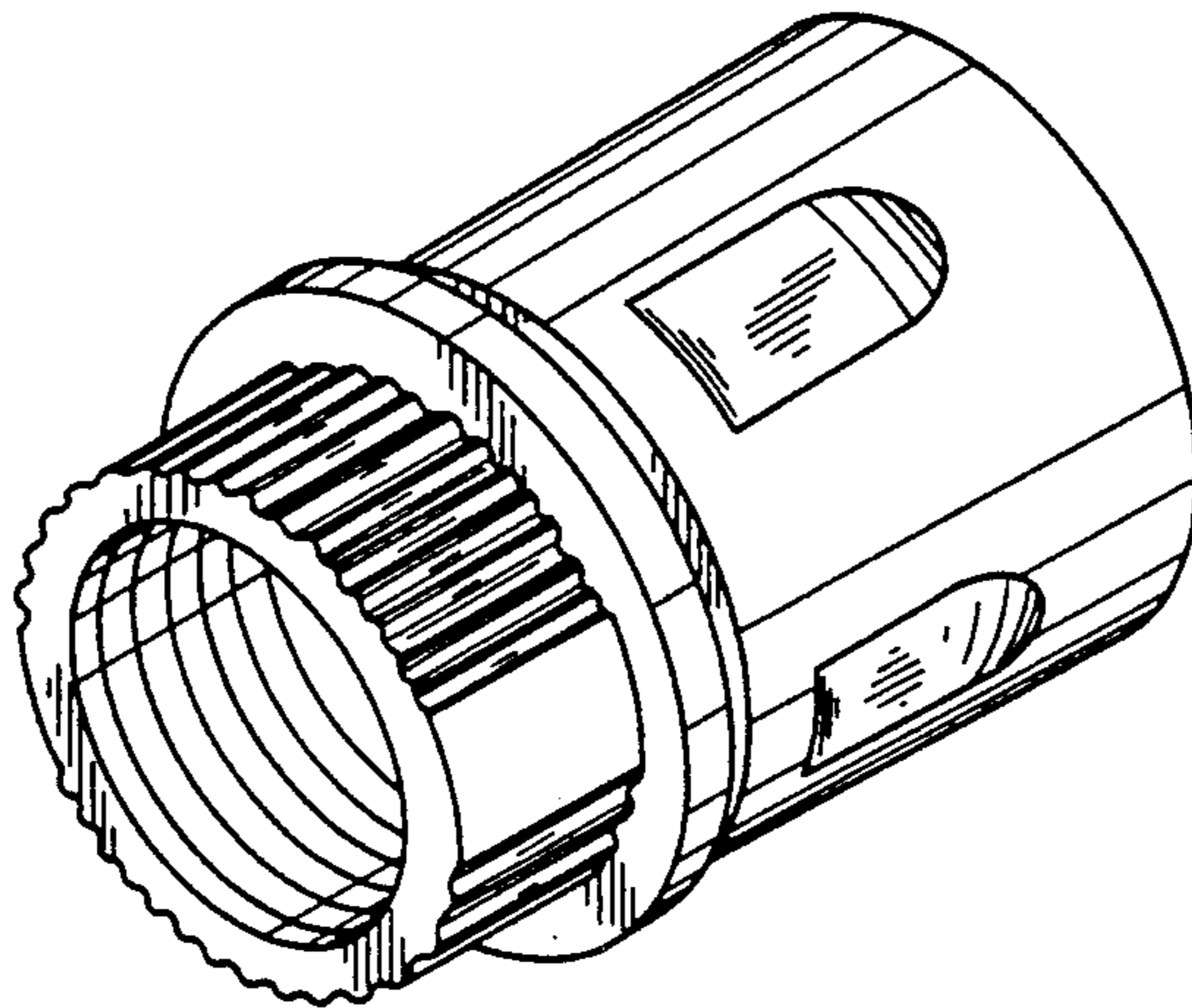
[57] **CLAIM**

The ornamental design for a hose coupler, as shown and described.

DESCRIPTION

FIG. 1 is a front perspective view of a hose coupler showing my new design;
 FIG. 2 is a rear perspective view thereof;
 FIG. 3 is a side elevational view thereof, the opposite side being a mirror image;
 FIG. 4 is a front perspective view of a second embodiment;
 FIG. 5 is a rear perspective view of FIG. 4; and
 FIG. 6 is a side elevational view of FIG. 4, the opposite side being a mirror image.

[56] **References Cited**
U.S. PATENT DOCUMENTS
 D. 32,963 7/1900 Levering D23/262
 D. 33,086 8/1900 Levering D23/262
 D. 121,608 7/1910 Bedur D23/262
 D. 184,984 4/1959 Chapman D23/262
 D. 221,432 8/1971 Dunlap D23/262



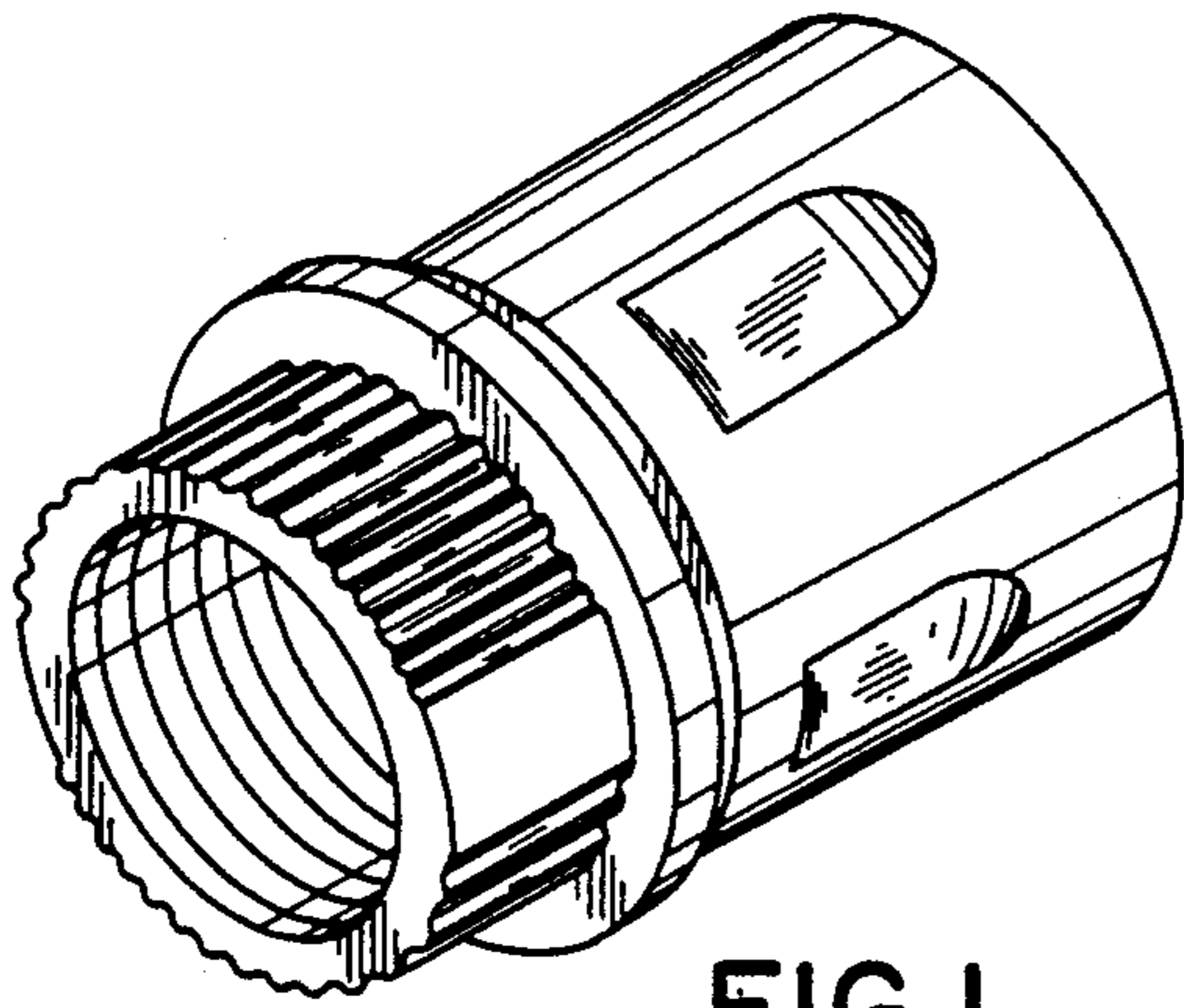


FIG. 1

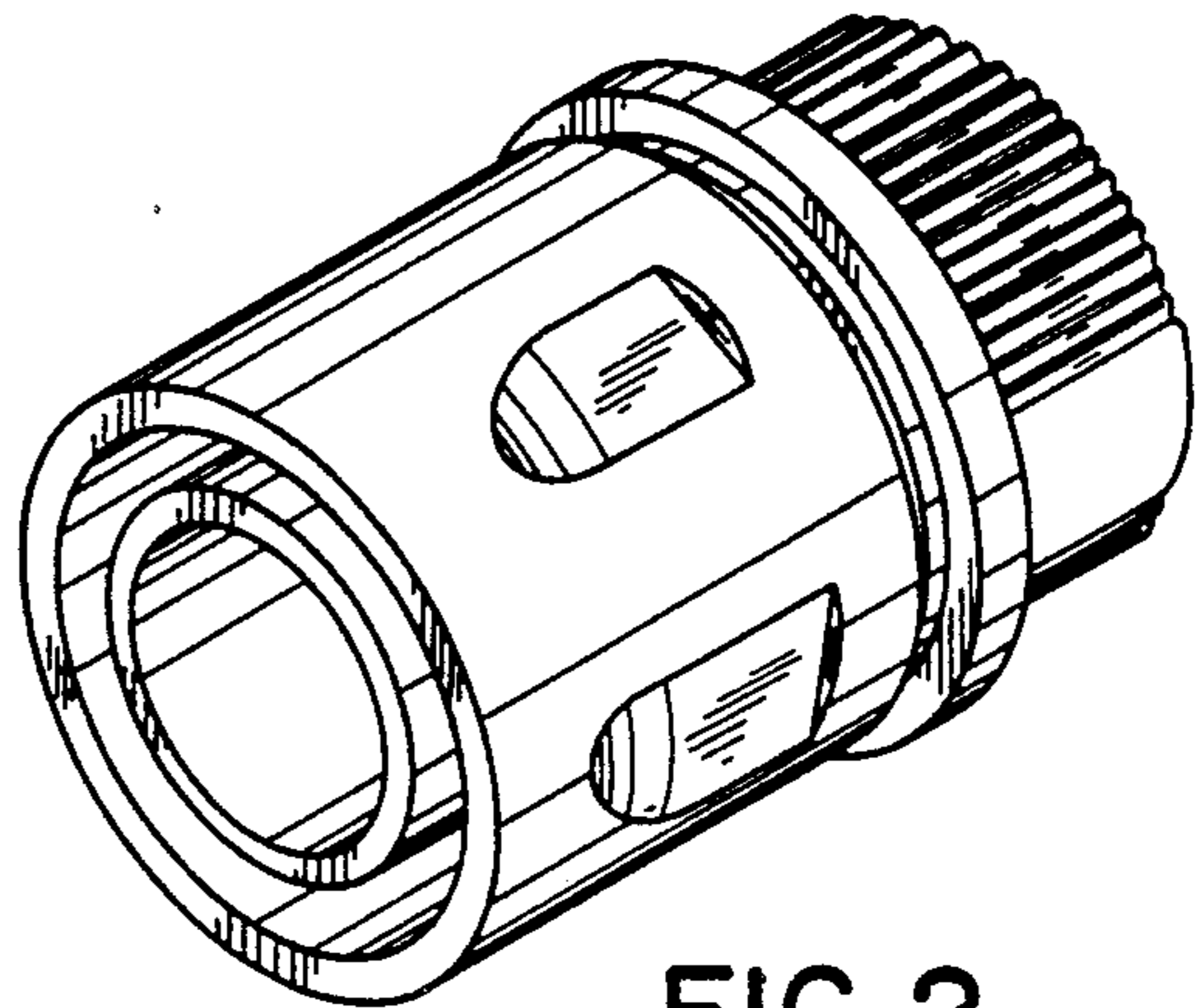


FIG. 2

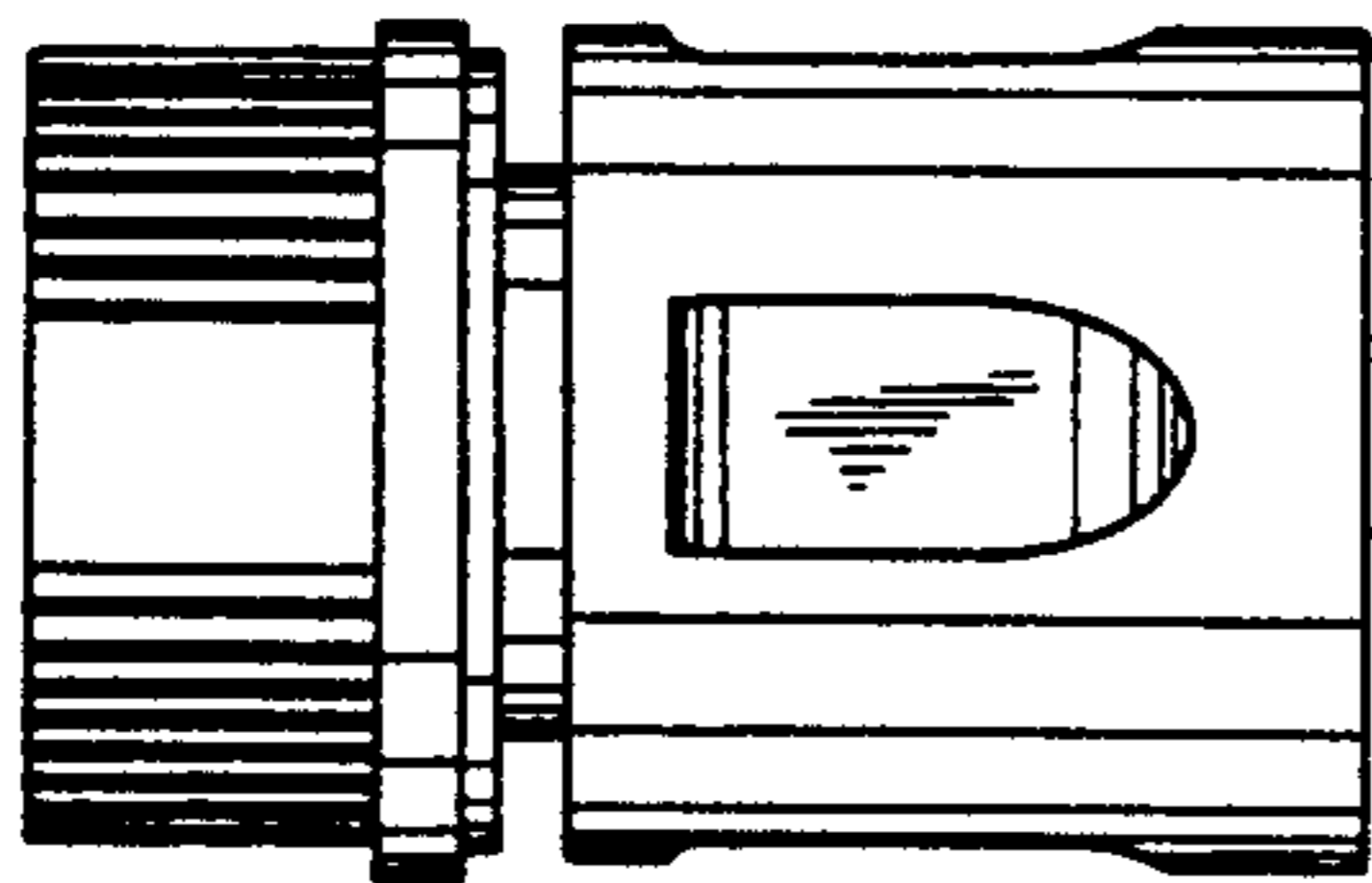


FIG. 3

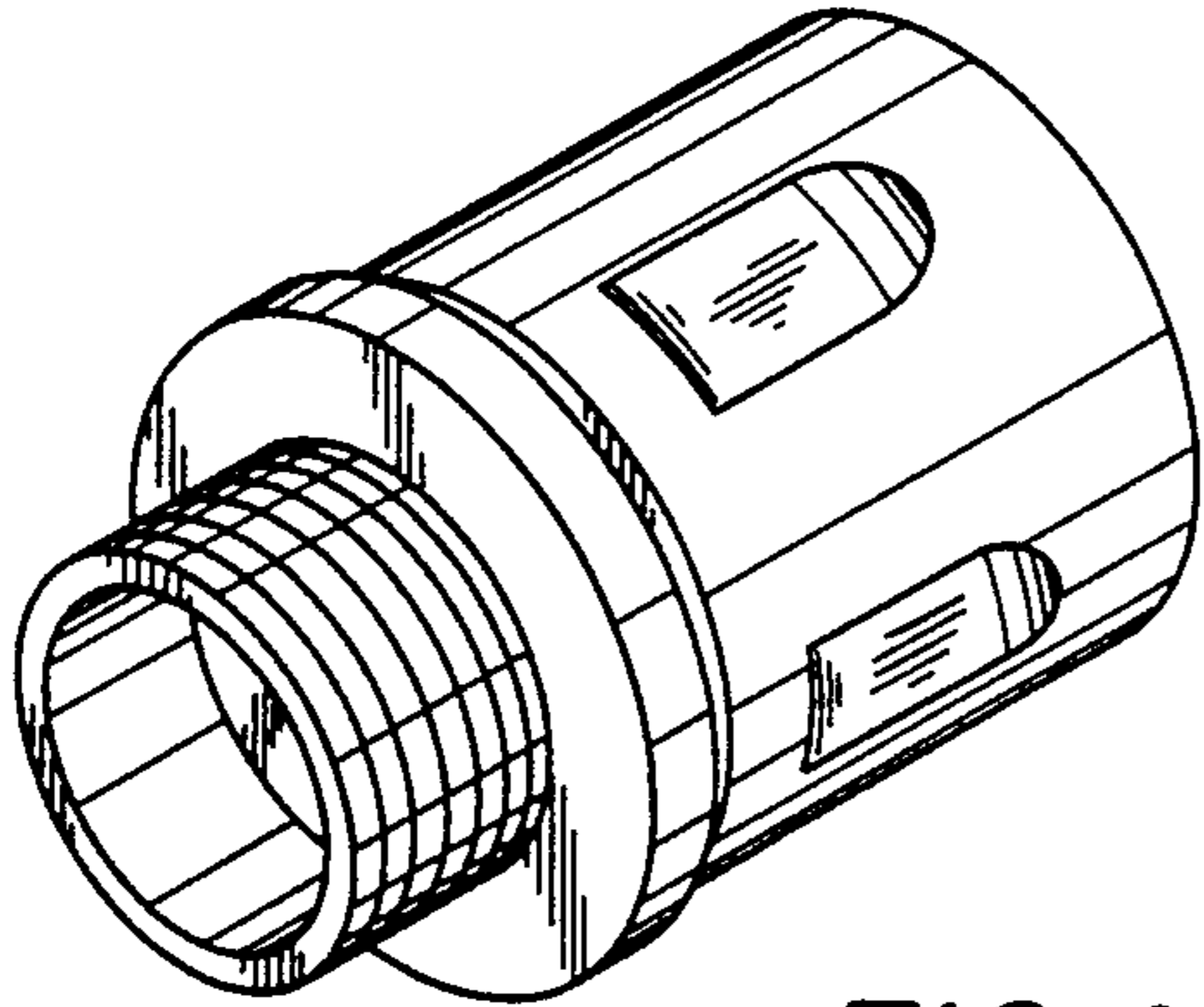


FIG. 4

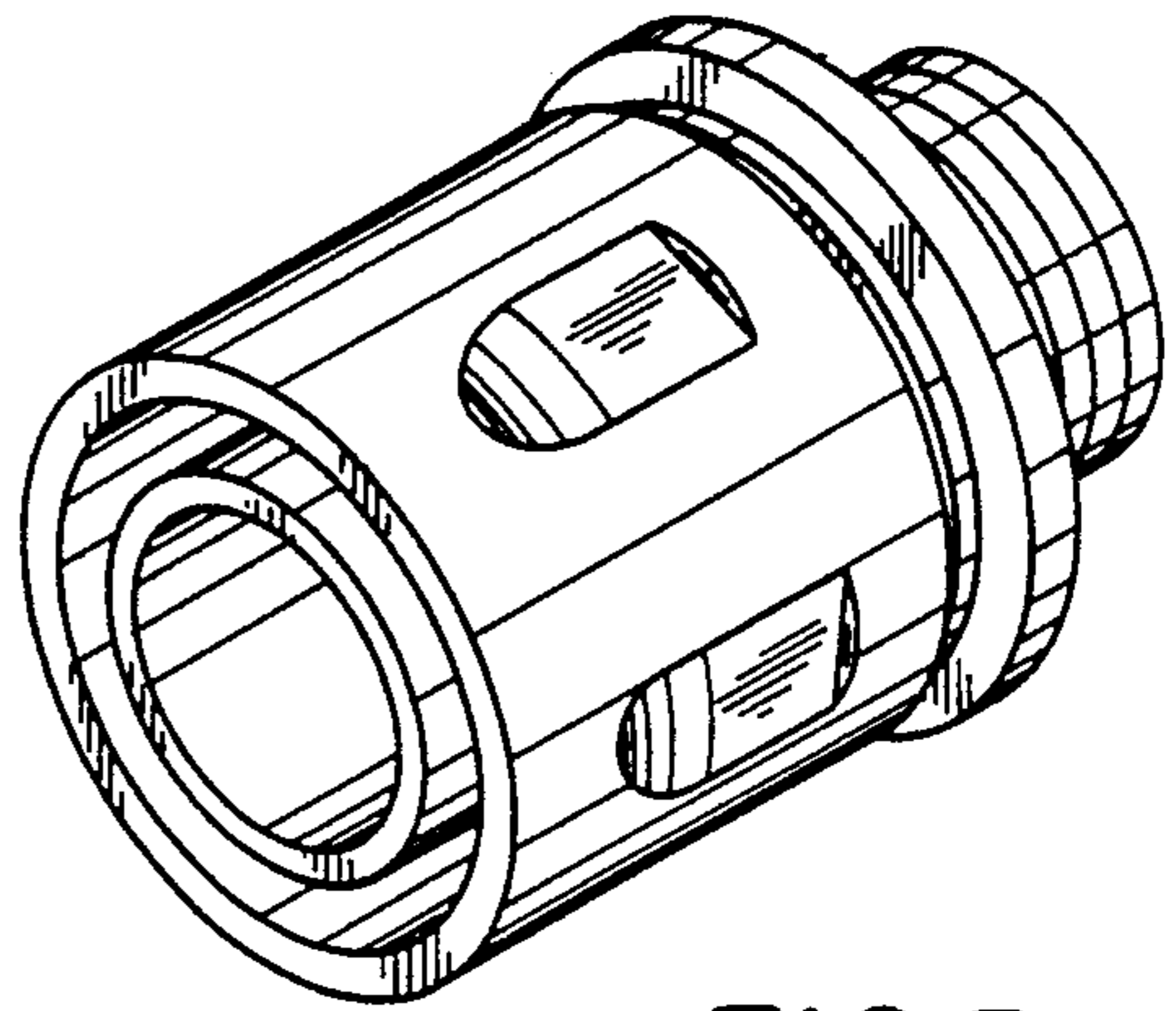


FIG. 5

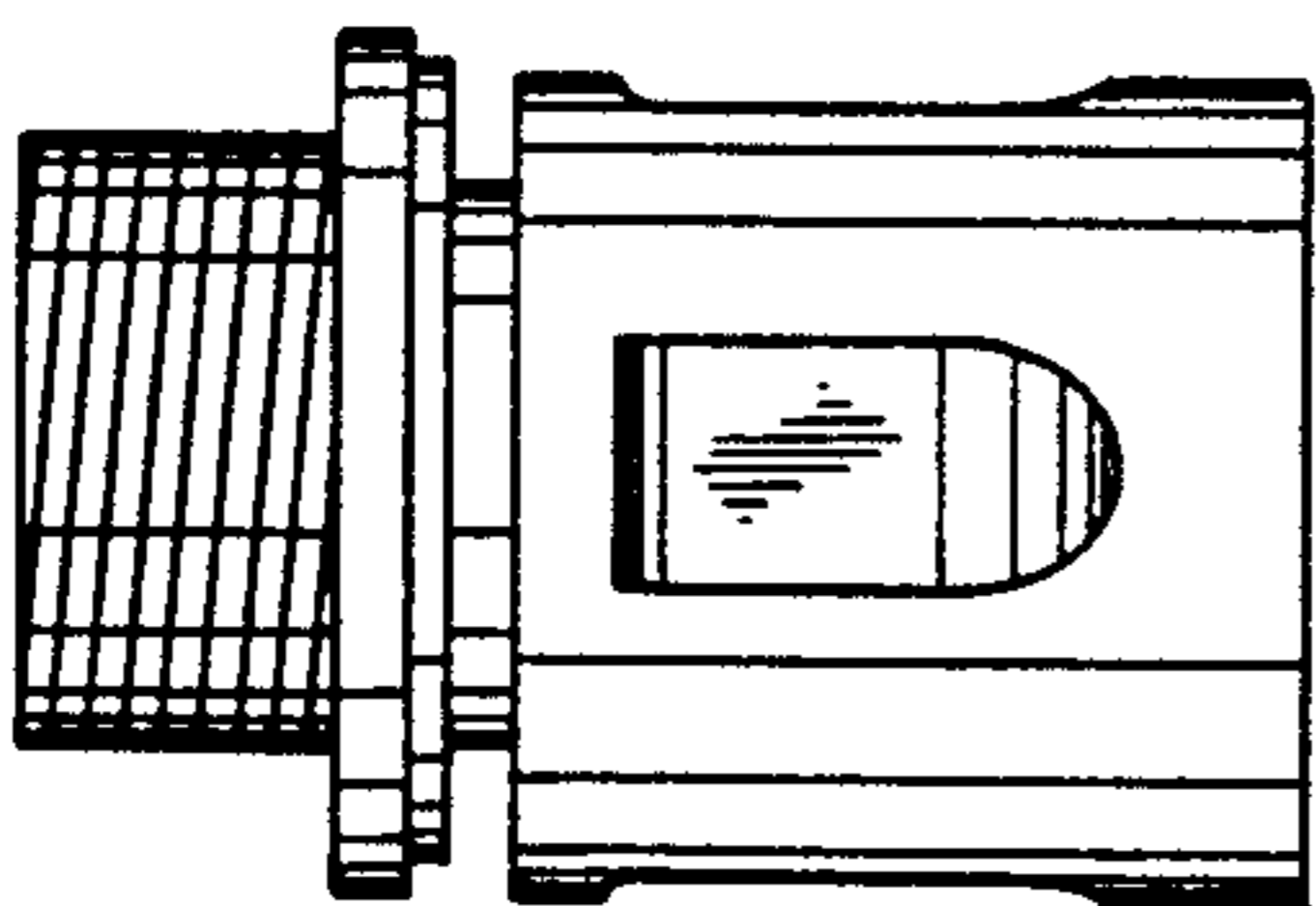


FIG. 6