

[54] **SPOUT**

[75] **Inventor: Franz W. Jans, Offenbach am Main, Fed. Rep. of Germany**

[73] **Assignee: Jado Bathroom and Hardware Manufacturing Corp., Camarillo, Calif.**

[\*\*] **Term: 14 Years**

[21] **Appl. No.: 52,958**

[22] **Filed: May 22, 1987**

[52] **U.S. Cl. .... D23/257**

[58] **Field of Search .... D23/238-243, D23/255, 256, 257; 137/801; 4/191, 192**

[56] **References Cited**

**U.S. PATENT DOCUMENTS**

- D. 140,557 3/1945 Stanitz ..... D23/238
- D. 304,069 10/1989 Haug et al. .... D23/243

**FOREIGN PATENT DOCUMENTS**

2026139 1/1980 United Kingdom ..... 137/801

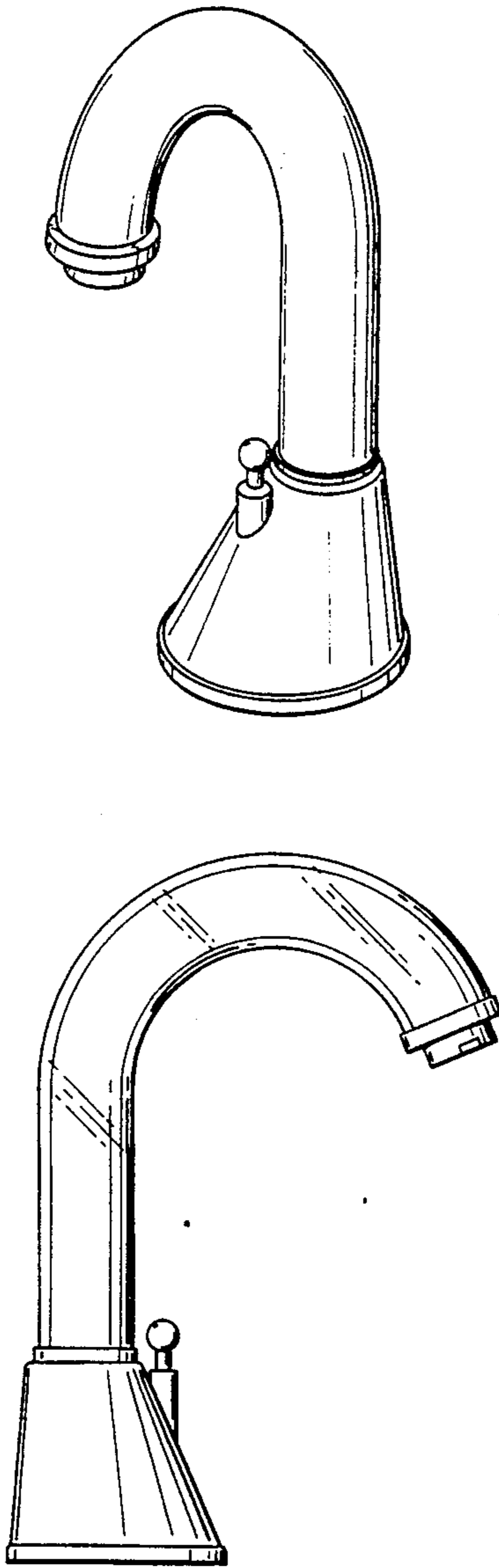
*Primary Examiner—Stella Reid*  
*Attorney, Agent, or Firm—H. Michael Brucker*

[57] **CLAIM**

The ornamental design for a spout, as shown and described.

**DESCRIPTION**

FIG. 1 is a perspective view of a spout, showing my new design;  
FIG. 2 is a right side elevational view thereof, the left side elevational view being a mirror image;  
FIG. 3 is a front elevational view thereof;  
FIG. 4 is a top plan view thereof;  
FIG. 5 is a rear elevational view thereof;  
FIG. 6 is a bottom plan view thereof; and  
FIG. 7 is a side elevational view of an alternate embodiment of FIG. 1, with the only difference residing in the outer pipe of the spout being transparent; all other portions being identical to that shown in FIGS. 1 and 3-6.



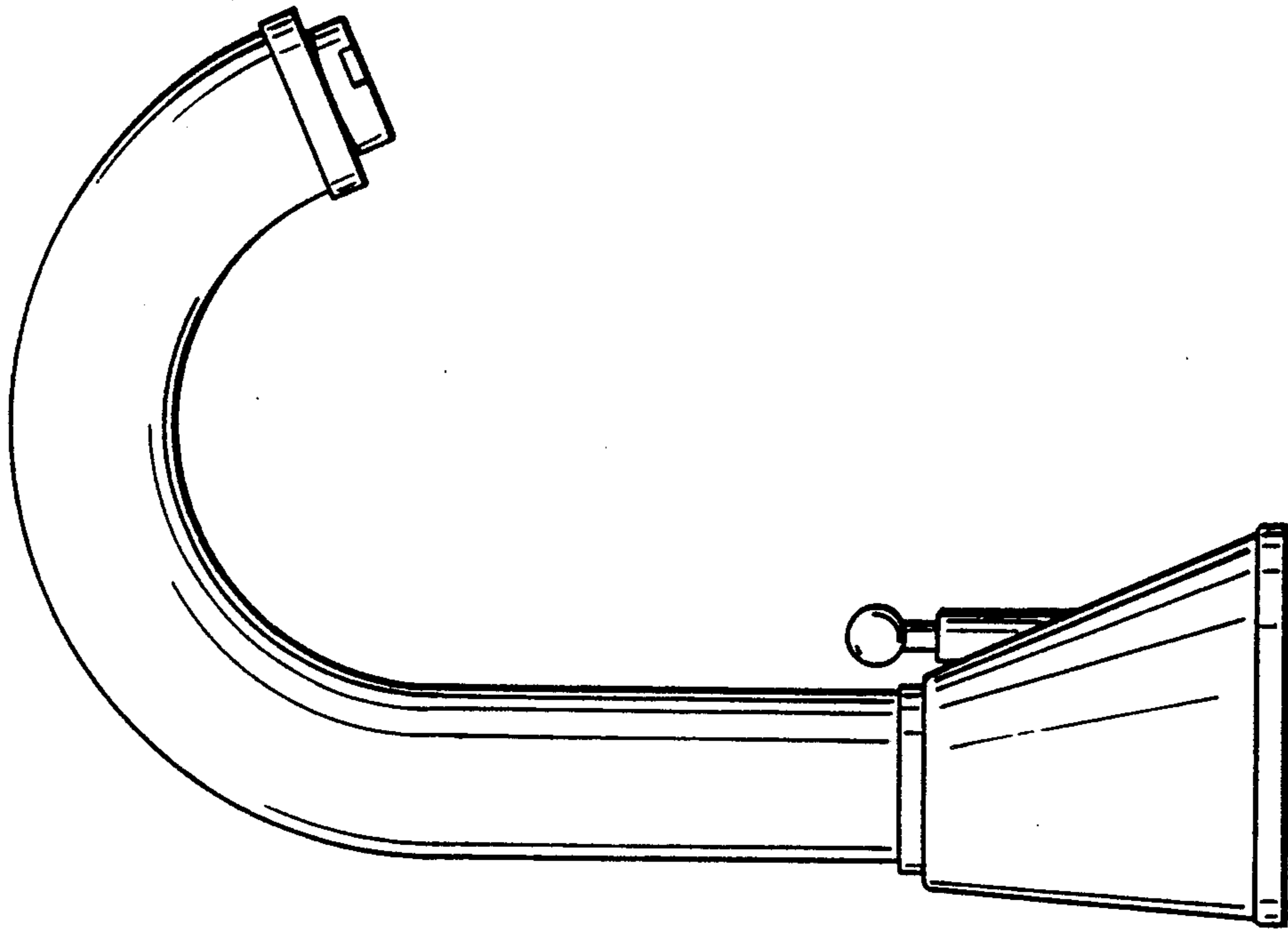


FIG. 1.

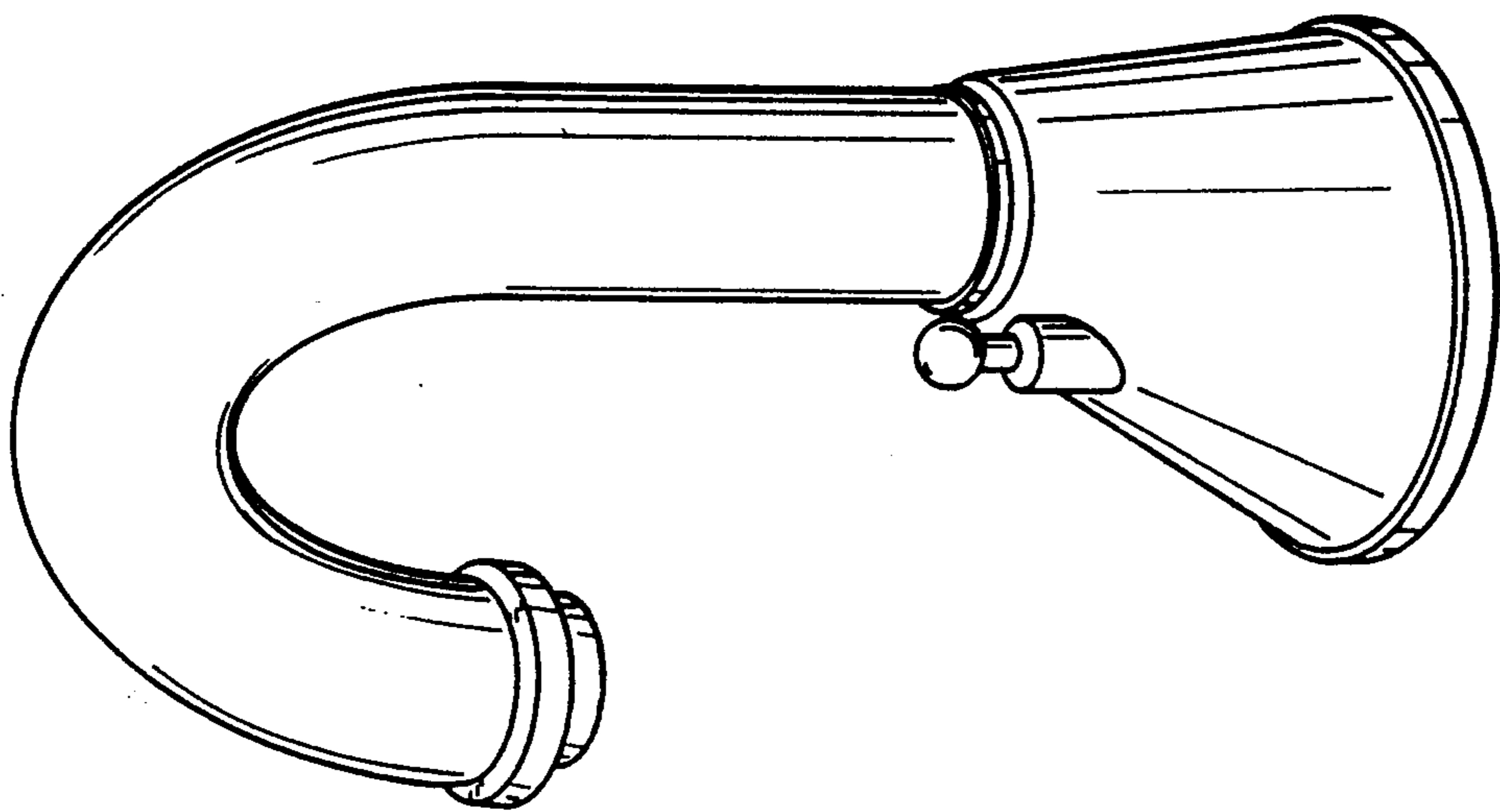


FIG. 2.

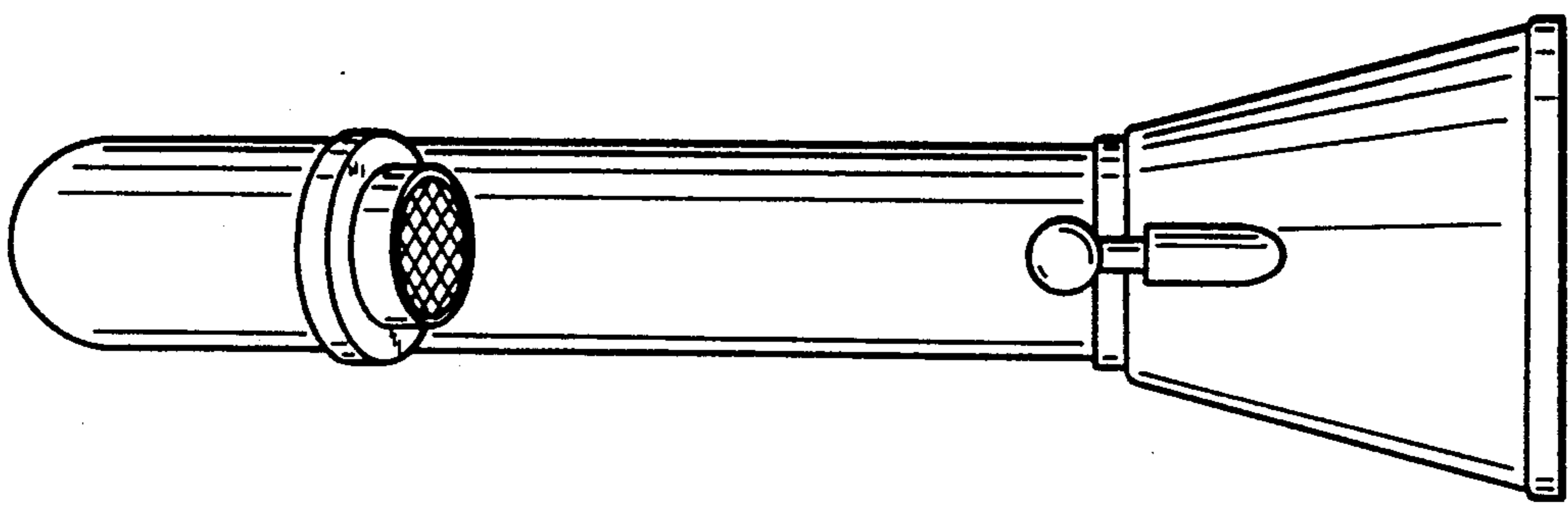


FIG.-3.

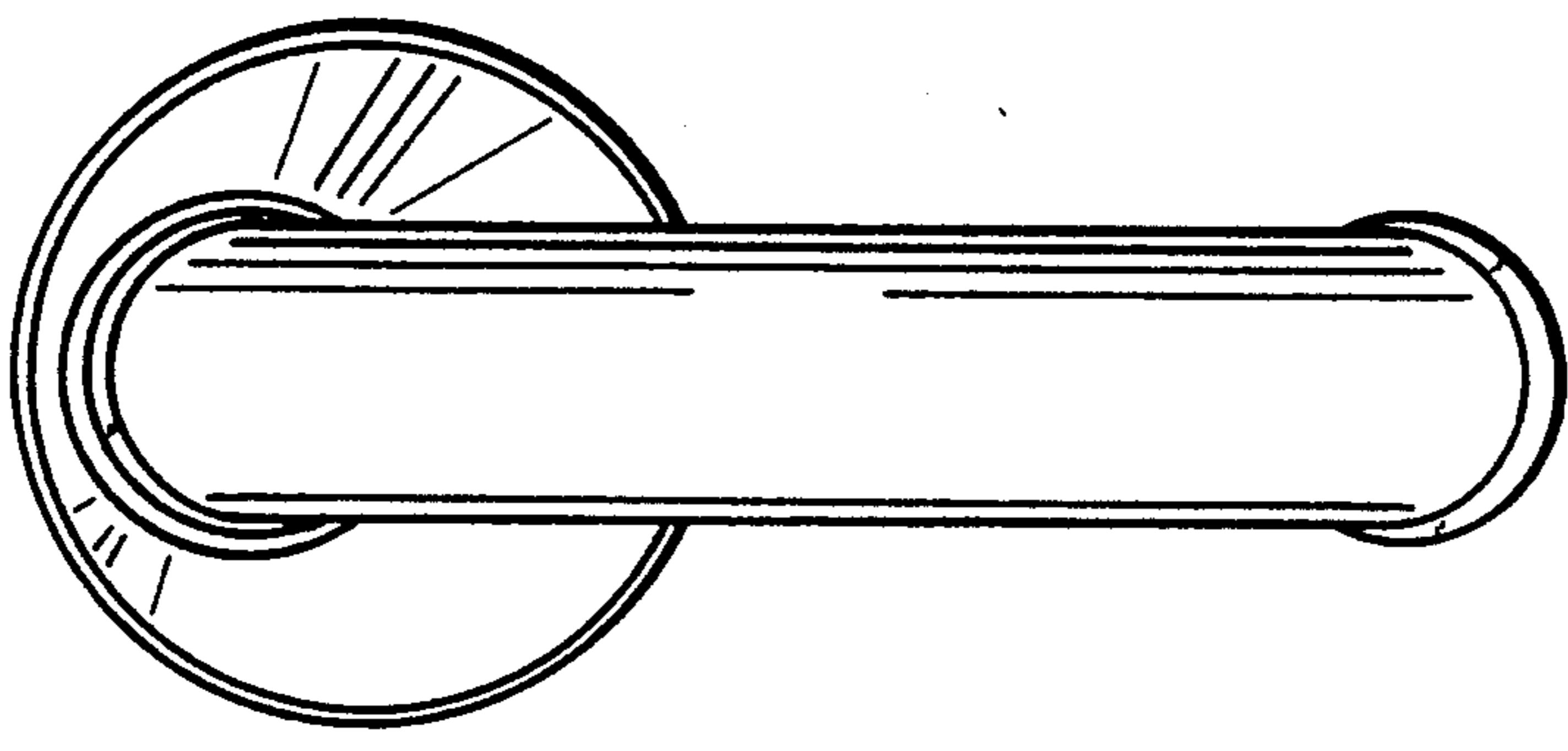


FIG.-4.

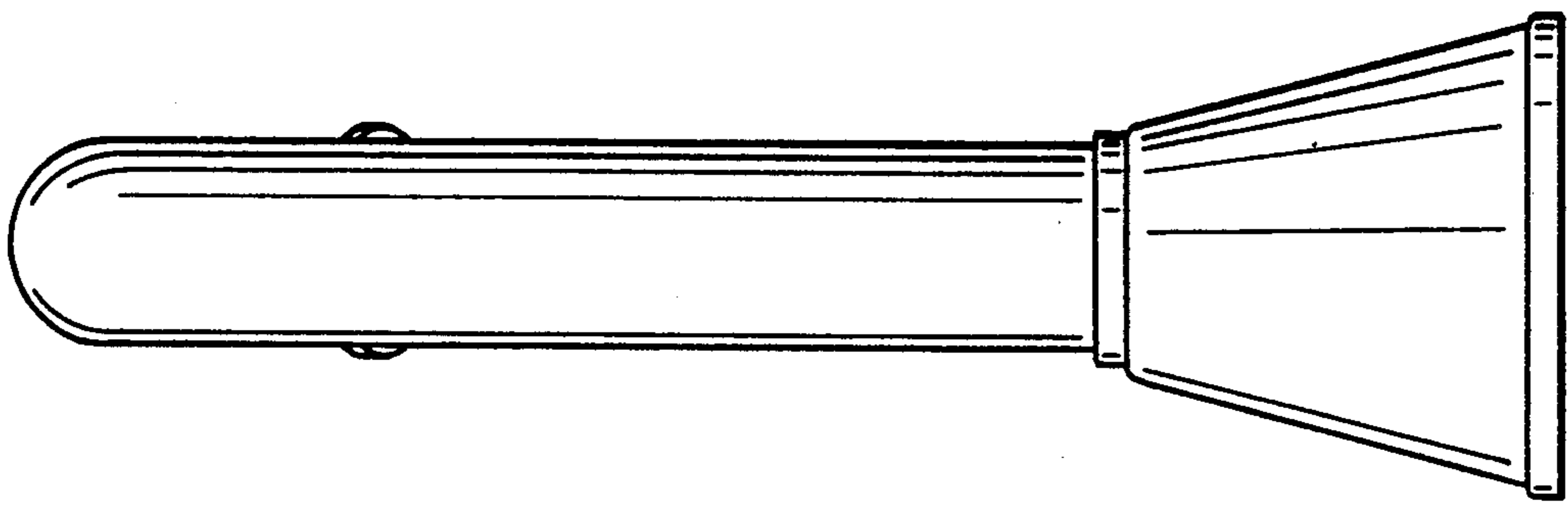


FIG.-5.

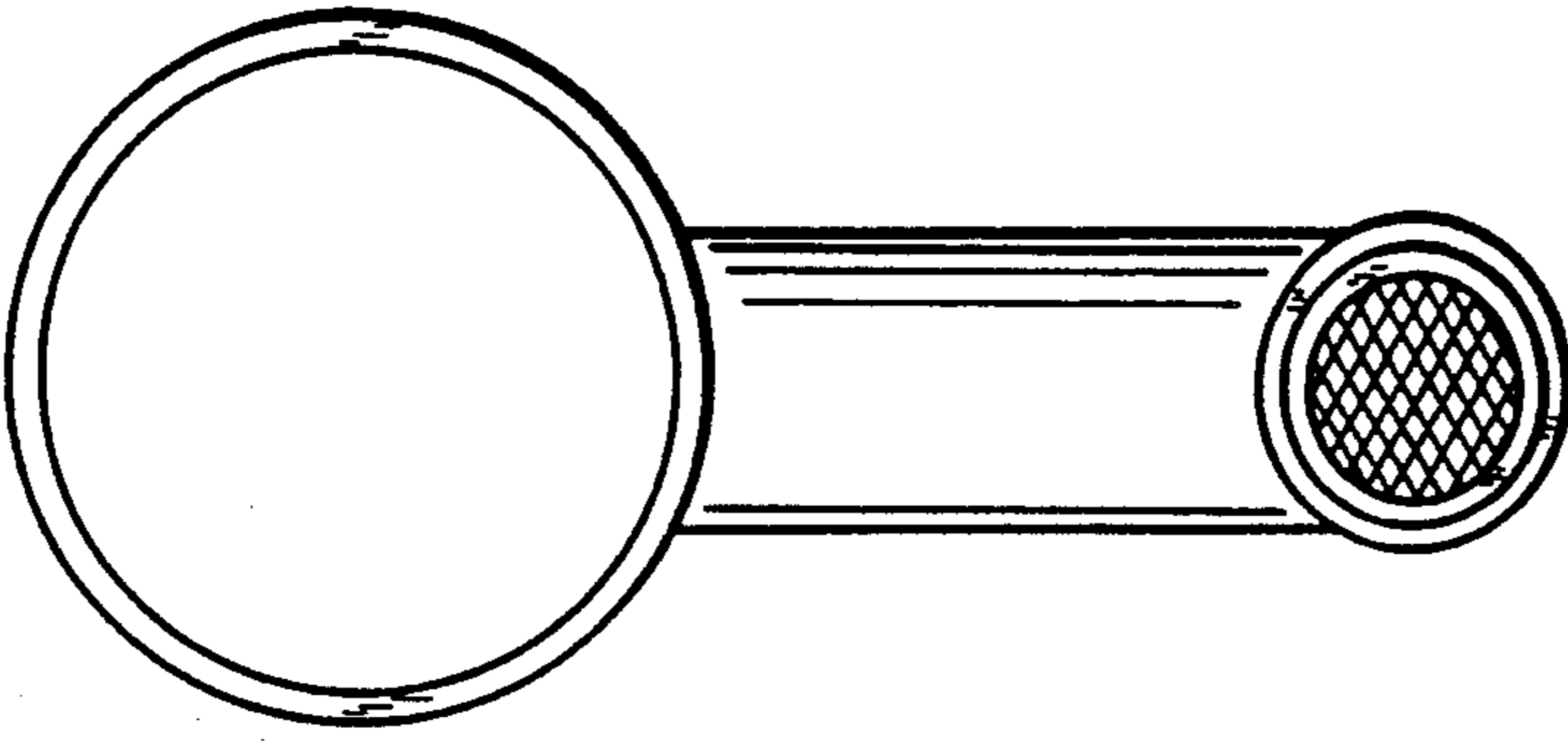
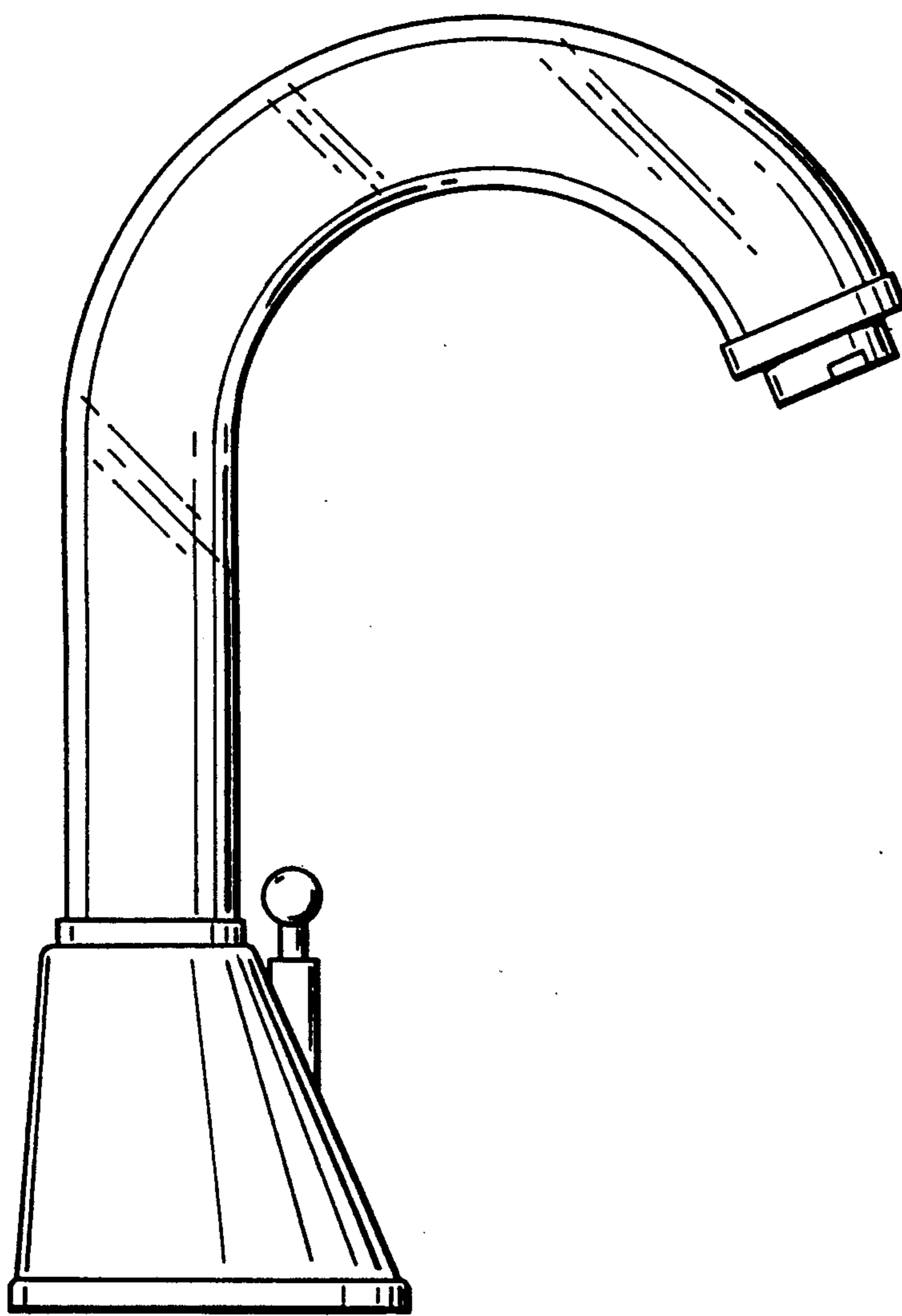


FIG.-6.



*FIG. 7.*