

[54] **FAUCET**

[75] **Inventor:** Franz W. Jans, Offenbach am Main,  
Fed. Rep. of Germany

[73] **Assignee:** Jado Bathroom and Hardware  
Manufacturing Corp., Camarillo,  
Calif.

[\*\*] **Term:** 14 Years

[21] **Appl. No.:** 52,959

[22] **Filed:** May 22, 1987

[52] **U.S. Cl.** ..... D23/241

[58] **Field of Search** ..... D23/238-243,  
D23/255, 256, 257; 4/191, 192; 137/801, 606,  
607; D8/312

[56] **References Cited**

**U.S. PATENT DOCUMENTS**

D. 140,557 3/1945 Stanitz ..... D23/238  
D. 304,069 10/1989 Haug et al. .... D23/243

**FOREIGN PATENT DOCUMENTS**

2026139 1/1980 United Kingdom ..... 137/801

*Primary Examiner*—Stella Reid

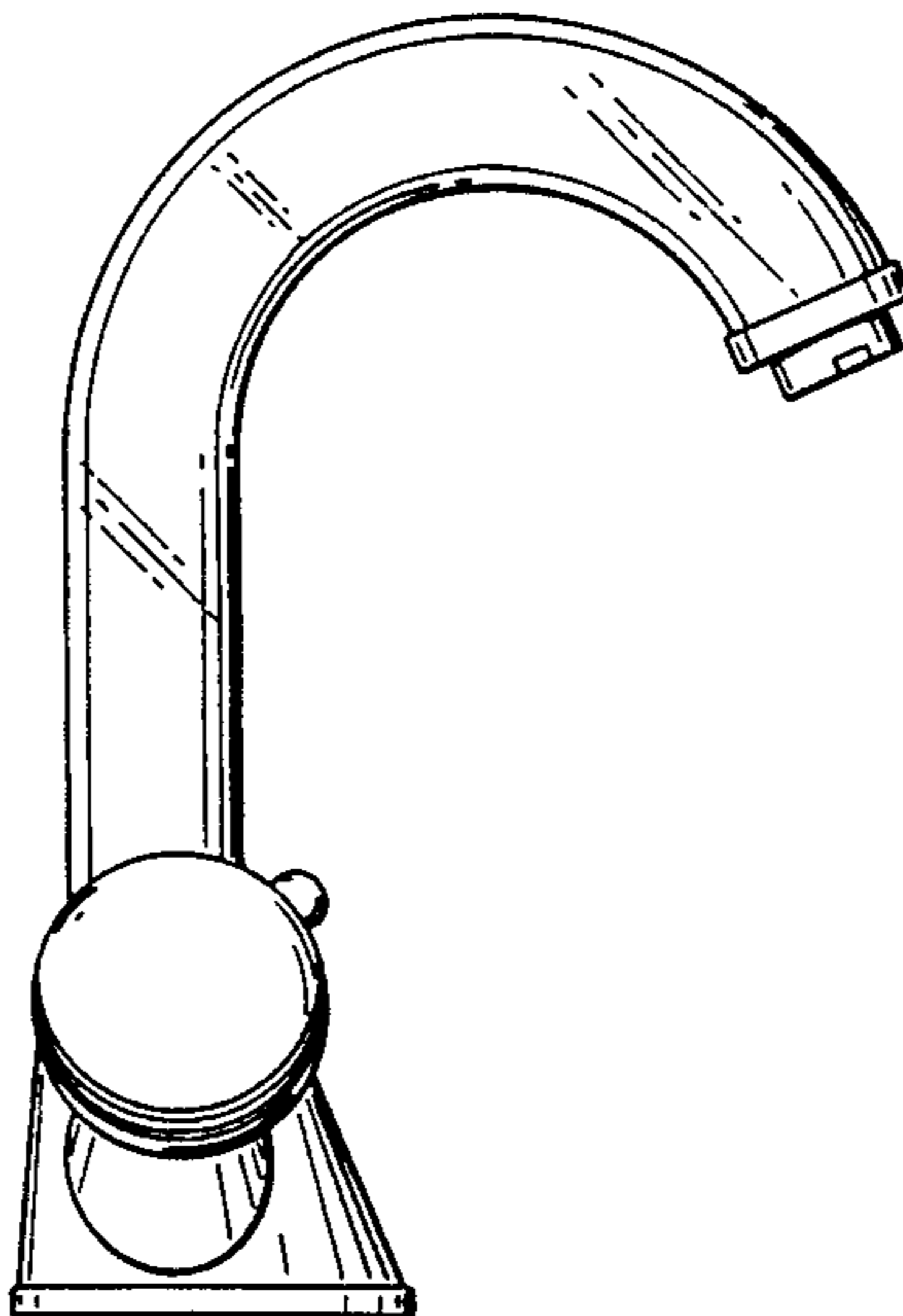
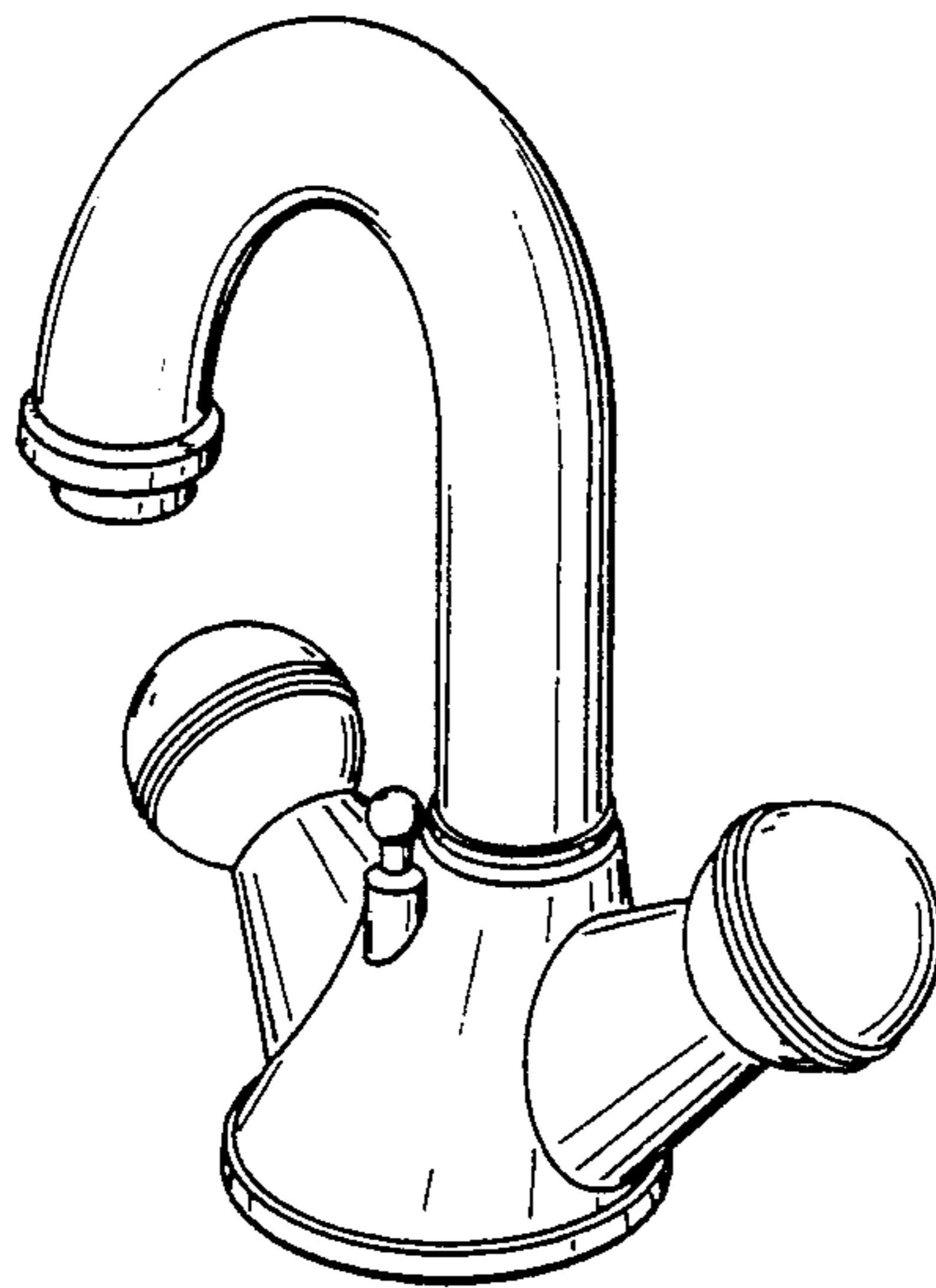
*Attorney, Agent, or Firm*—H. Michael Brucker

[57] **CLAIM**

The ornamental design for a faucet, as shown and described.

**DESCRIPTION**

FIG. 1 is a perspective view of a faucet, showing my new design;  
FIG. 2 is a right side elevational view thereof, the left side elevational view being a mirror image;  
FIG. 3 is a front elevational view thereof;  
FIG. 4 is a top plan view thereof;  
FIG. 5 is a rear elevational view thereof;  
FIG. 6 is a bottom plan view thereof; and  
FIG. 7 is a side elevational view of an alternate embodiment of FIG. 1, with the only difference residing in the outer pipe of the spout being transparent; all other portions being identical to that shown in FIGS. 1 and 3-6.



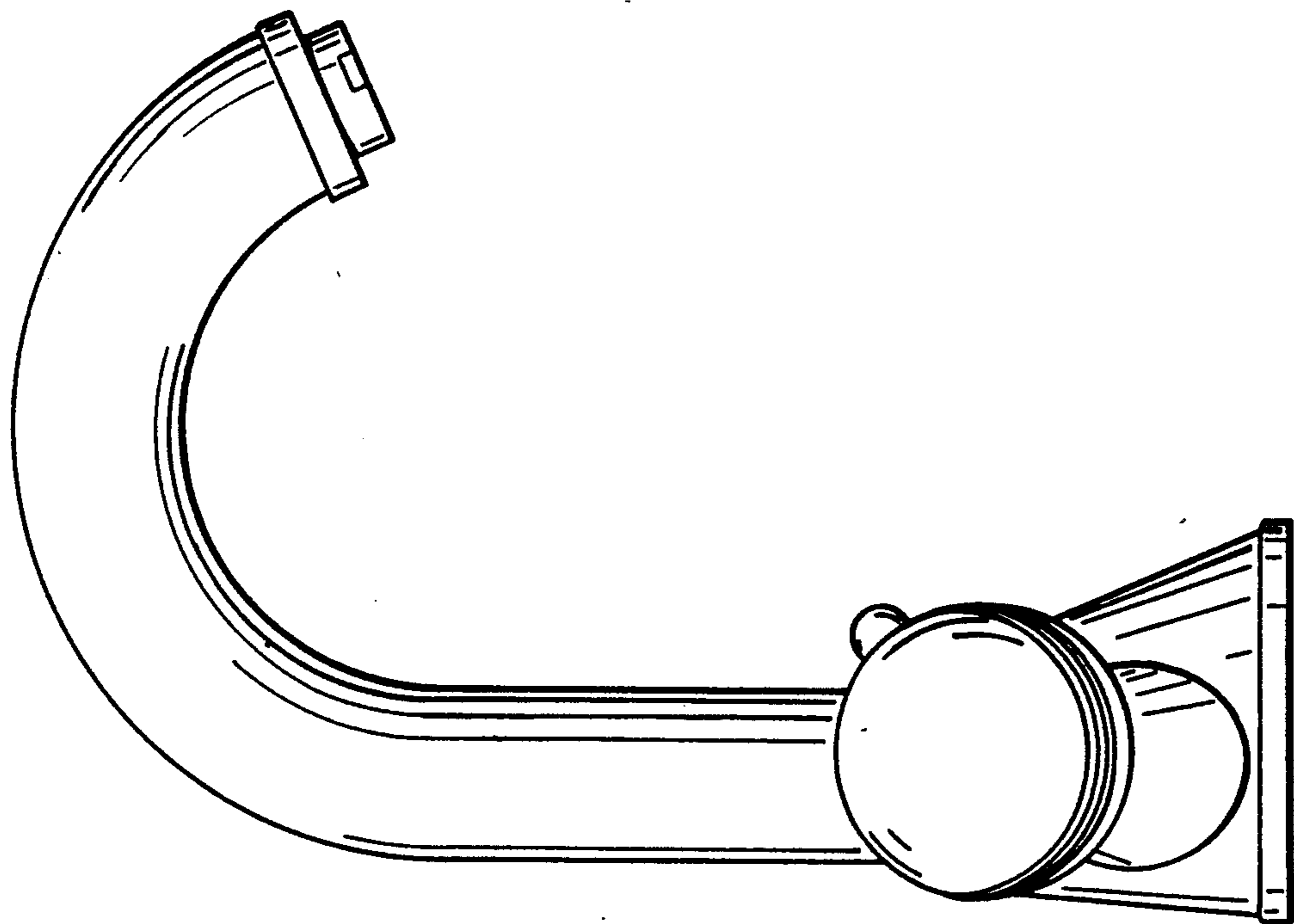


FIG.-2.

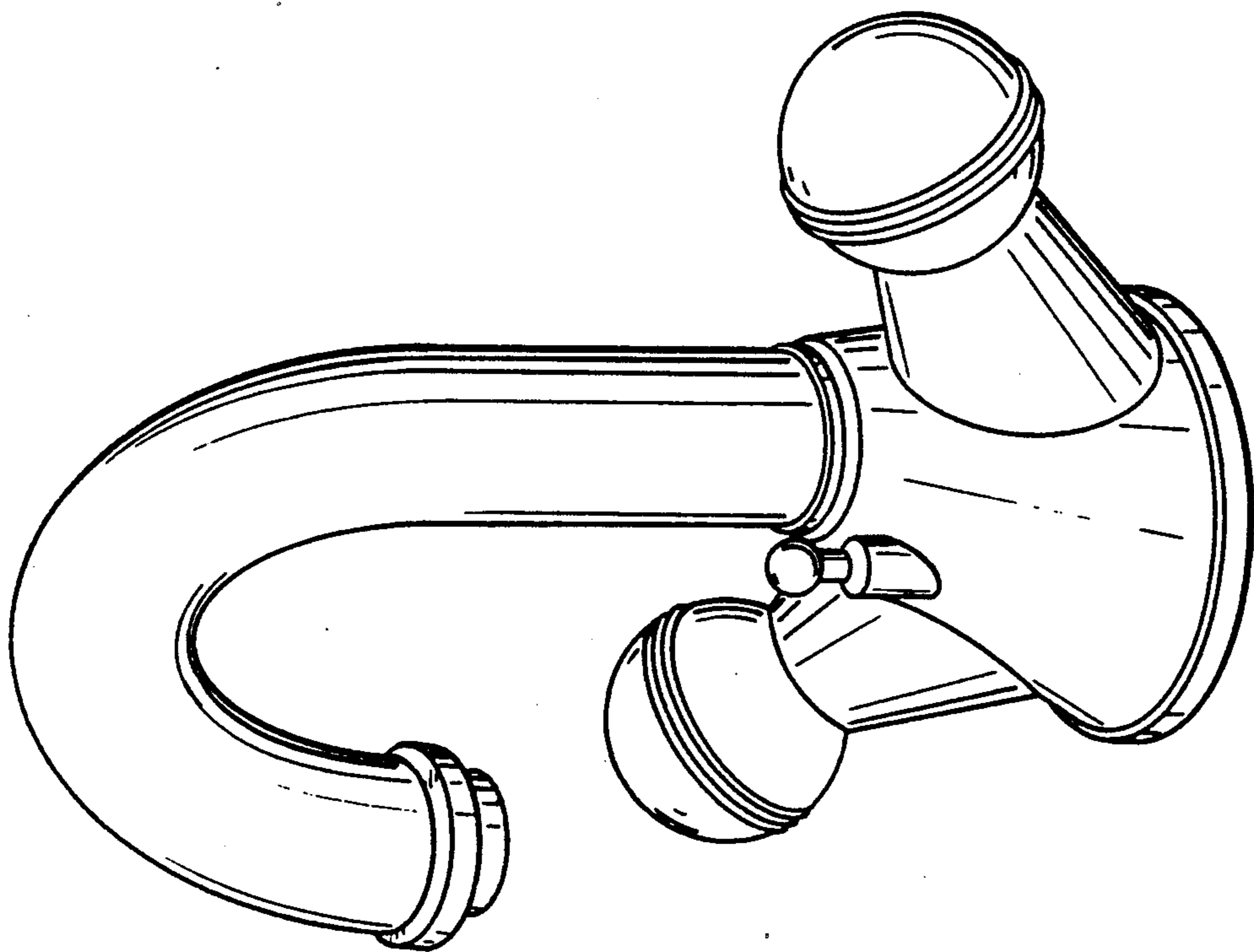


FIG.-1.

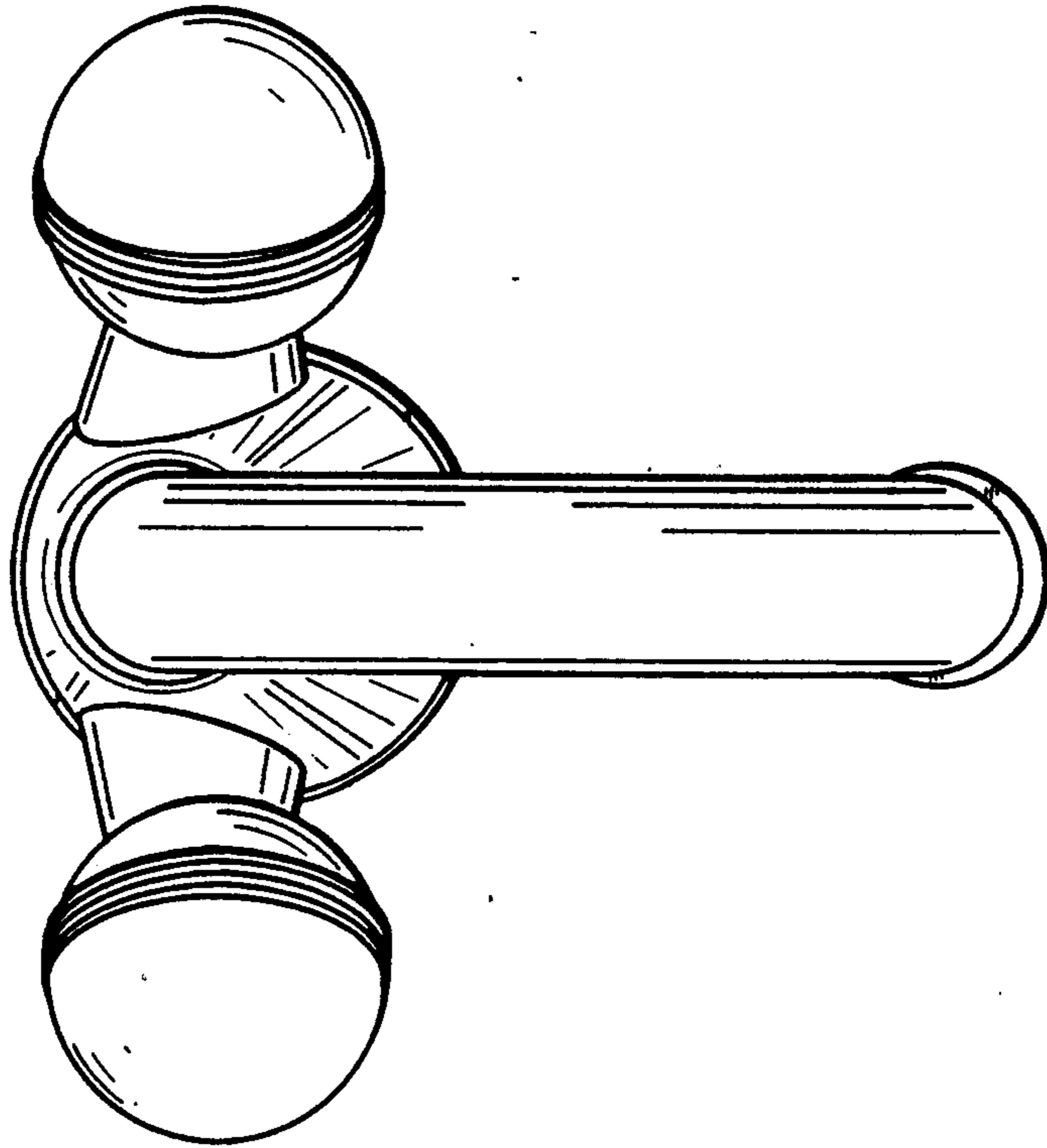


FIG.-4.

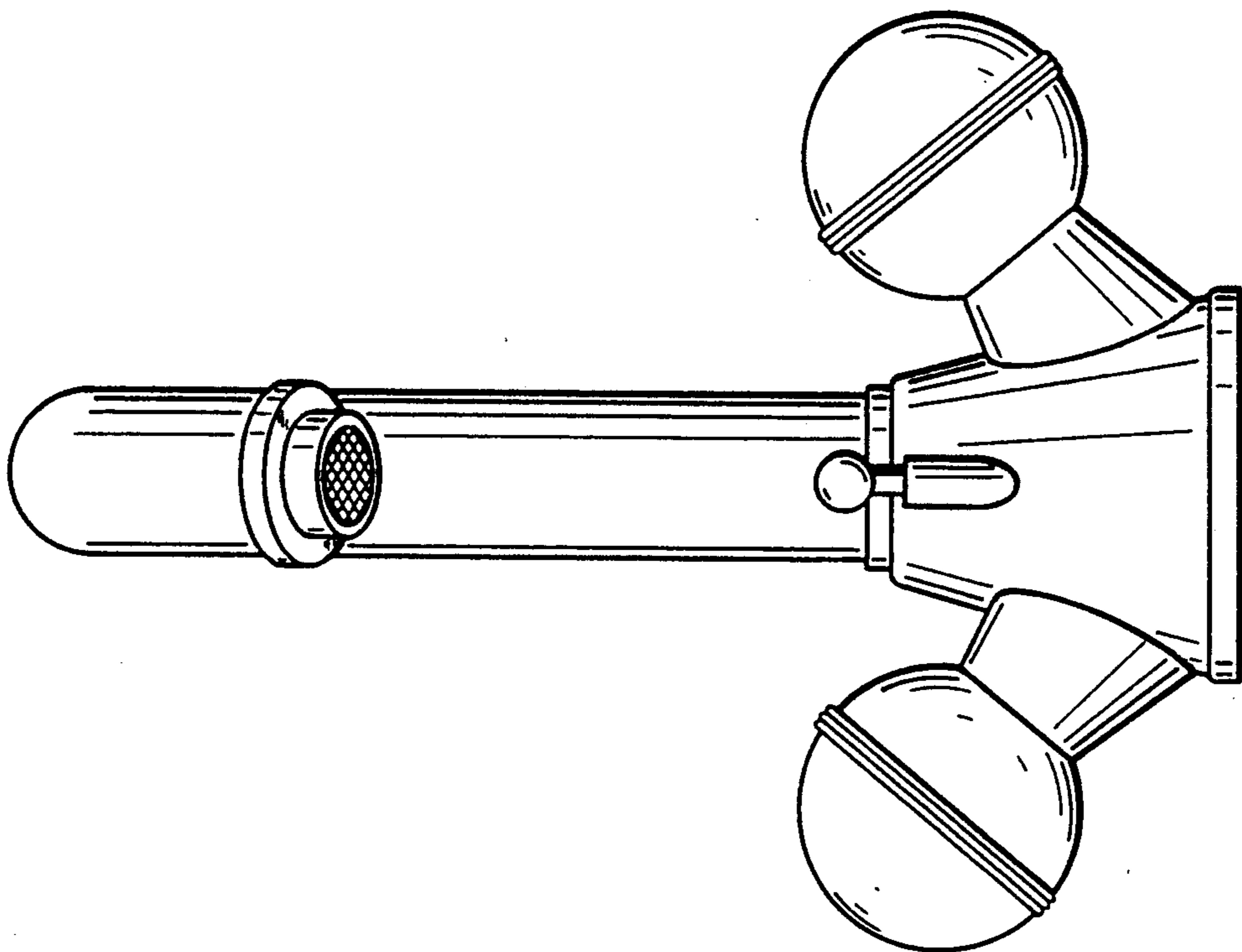


FIG.-3.

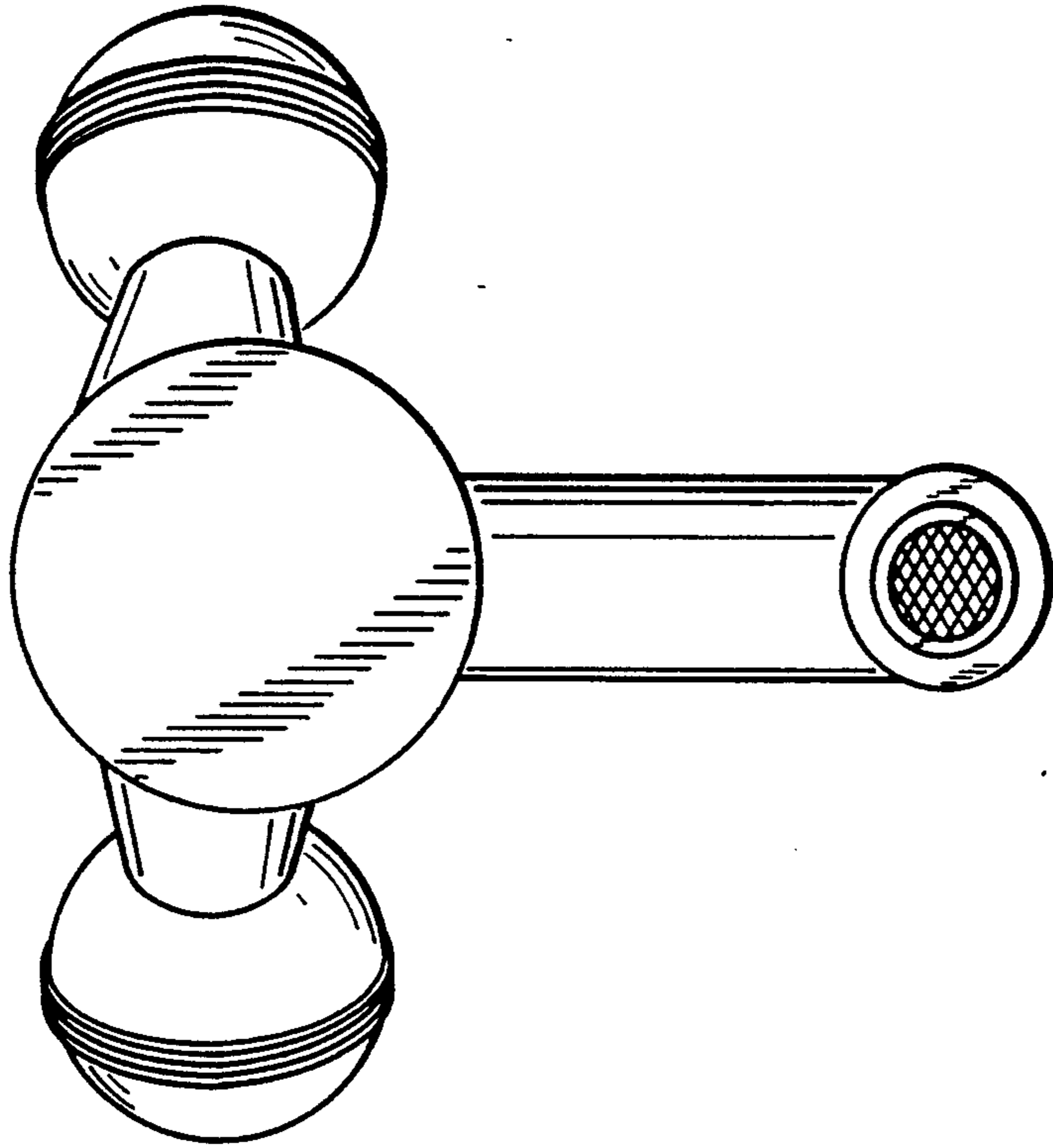


FIG.-6.

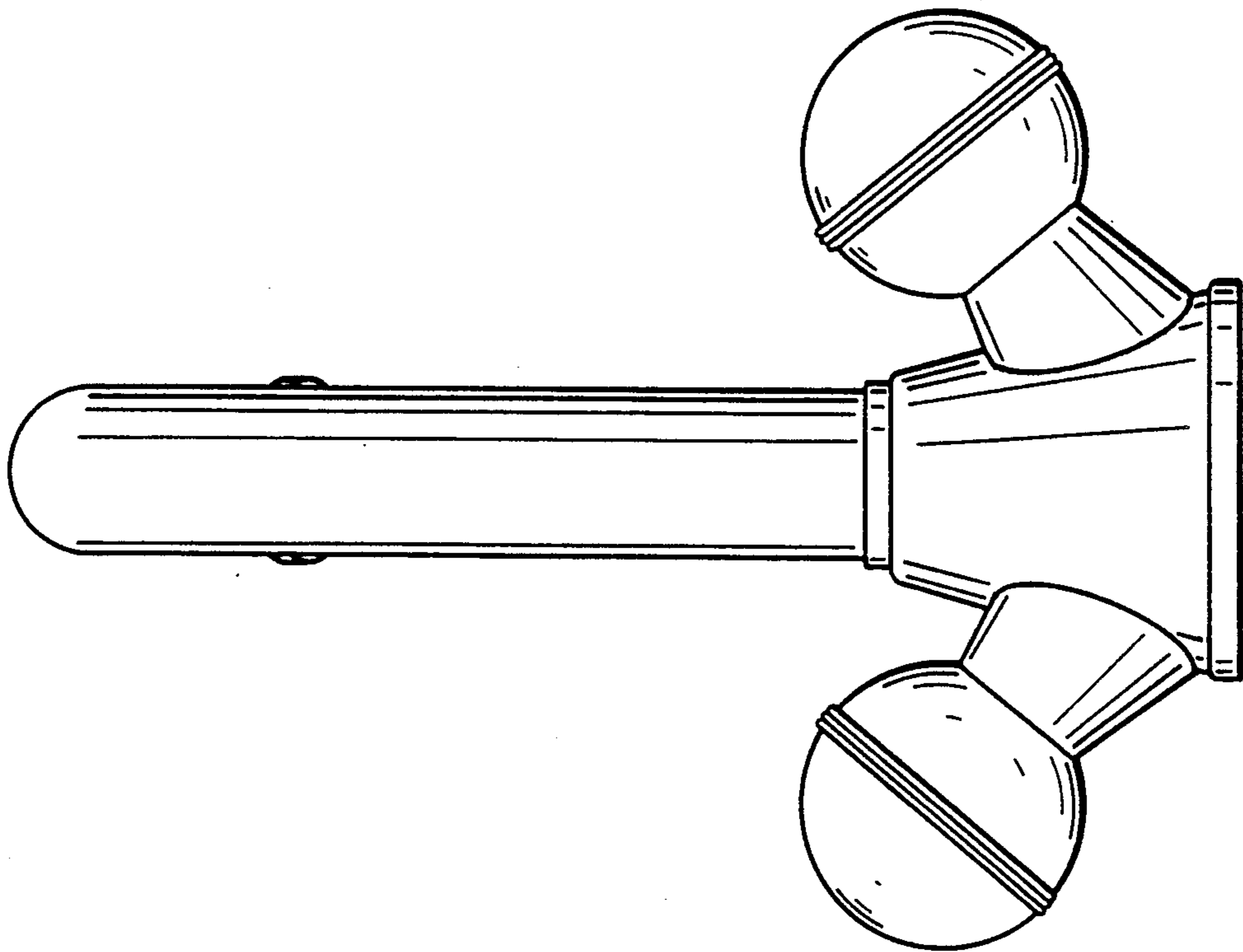
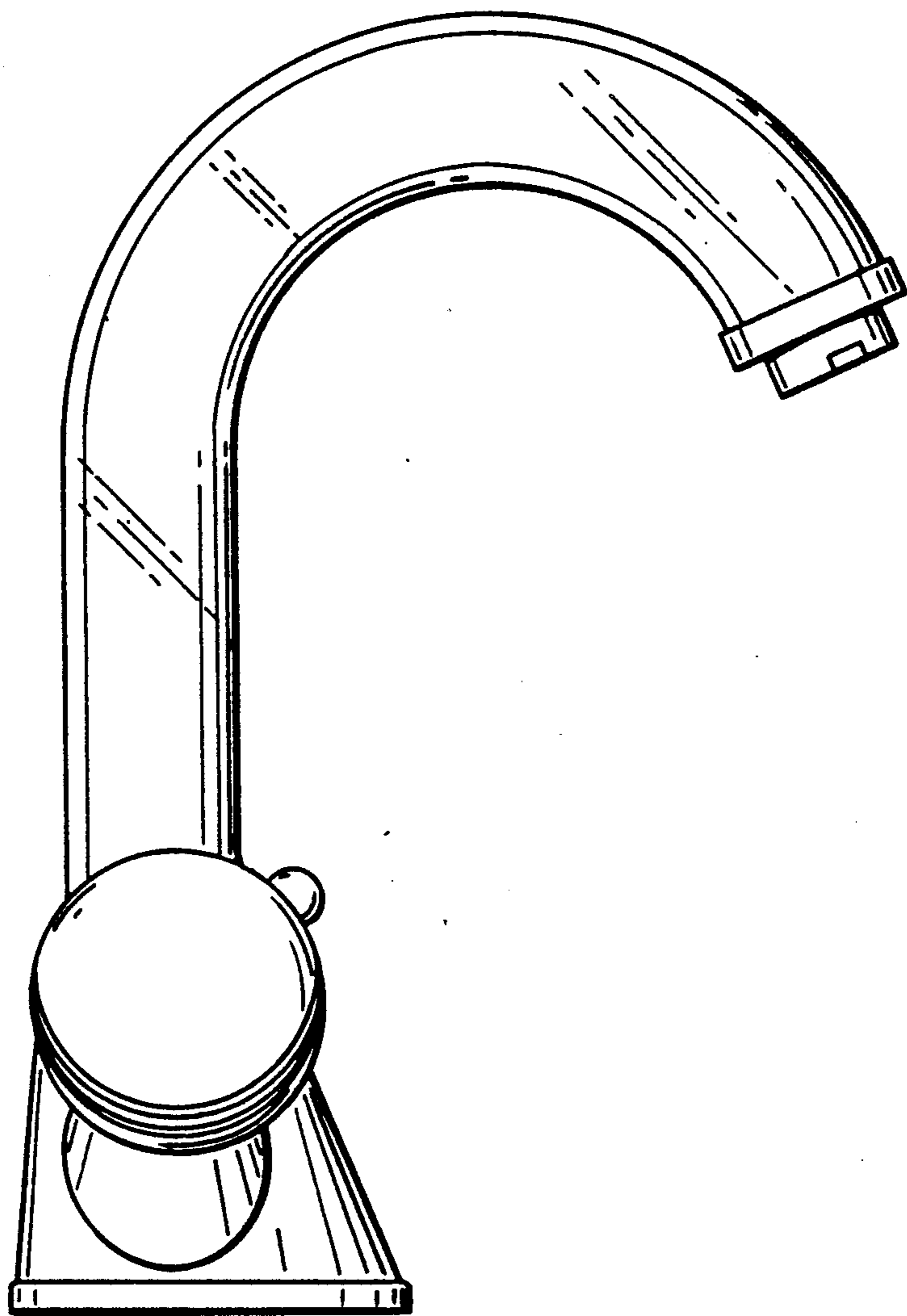


FIG.-5.



*FIG. 7.*