

[54] **URETHANE FOAM DISPENSING GUN**

[75] **Inventors: Robert C. Gammons, Southington; C. Marshall Davidson, Hamden, both of Conn.**

[73] **Assignee: Olin Corporation, Cheshire, Conn.**

[\*\*] **Term: 14 Years**

[21] **Appl. No.: 46,056**

[22] **Filed: May 4, 1987**

[52] **U.S. Cl. .... D23/226**

[58] **Field of Search ..... D23/200, 213, 223-227, D23/229; 239/112, 114, 115-118, 302-304, 399, 403, 414, 416, 427, 432, 525-527; 222/134, 135, 136-137, 145, 323, 473, 448, 529**

[56] **References Cited**

**U.S. PATENT DOCUMENTS**

D. 284,988	8/1986	Powell .....	D23/223
3,263,928	8/1966	Gusmer .....	239/123
3,299,939	1/1967	Marra .....	239/415
3,575,319	4/1971	Safianoff .....	222/135
3,622,669	11/1971	Woods .....	239/307
3,633,795	1/1972	Brooks .....	222/134
3,670,967	6/1972	Fahlin et al. ....	239/600
3,784,110	1/1974	Brooks .....	239/304
3,920,188	11/1975	Price .....	239/403
3,949,905	4/1976	Nikolov et al. ....	222/146 HE
4,023,733	5/1977	Sperry .....	239/112
4,073,664	2/1978	Zwirlein .....	134/18
4,083,474	4/1978	Waite et al. ....	222/145
4,123,007	10/1978	Gardner .....	239/414
4,129,231	12/1978	Larson .....	222/145

4,169,545	10/1979	Decker .....	222/136
4,193,546	3/1980	Hetherington et al. ....	239/390
4,252,255	2/1981	Henderson .....	222/135
4,262,847	4/1981	Stitzer .....	239/527 X
4,311,254	1/1982	Harding .....	222/145
4,325,913	4/1982	Smith et al. ....	239/528
4,344,919	8/1982	Kelterbaum .....	422/133
4,377,256	3/1983	Commette et al. ....	239/600
4,399,930	8/1983	Harding .....	222/145
4,427,153	1/1984	Schaefer .....	239/600
4,428,530	1/1984	Chabria .....	239/527
4,458,831	7/1984	Hollaran .....	222/134
4,469,251	9/1984	Sperry et al. ....	222/135
4,550,863	11/1985	Farrey .....	222/145

**FOREIGN PATENT DOCUMENTS**

8606654	11/1986	PCT Int'l Appl. ....	239/117
---------	---------	----------------------	---------

*Primary Examiner*—Susan J. Lucas

*Assistant Examiner*—M. H. Tung

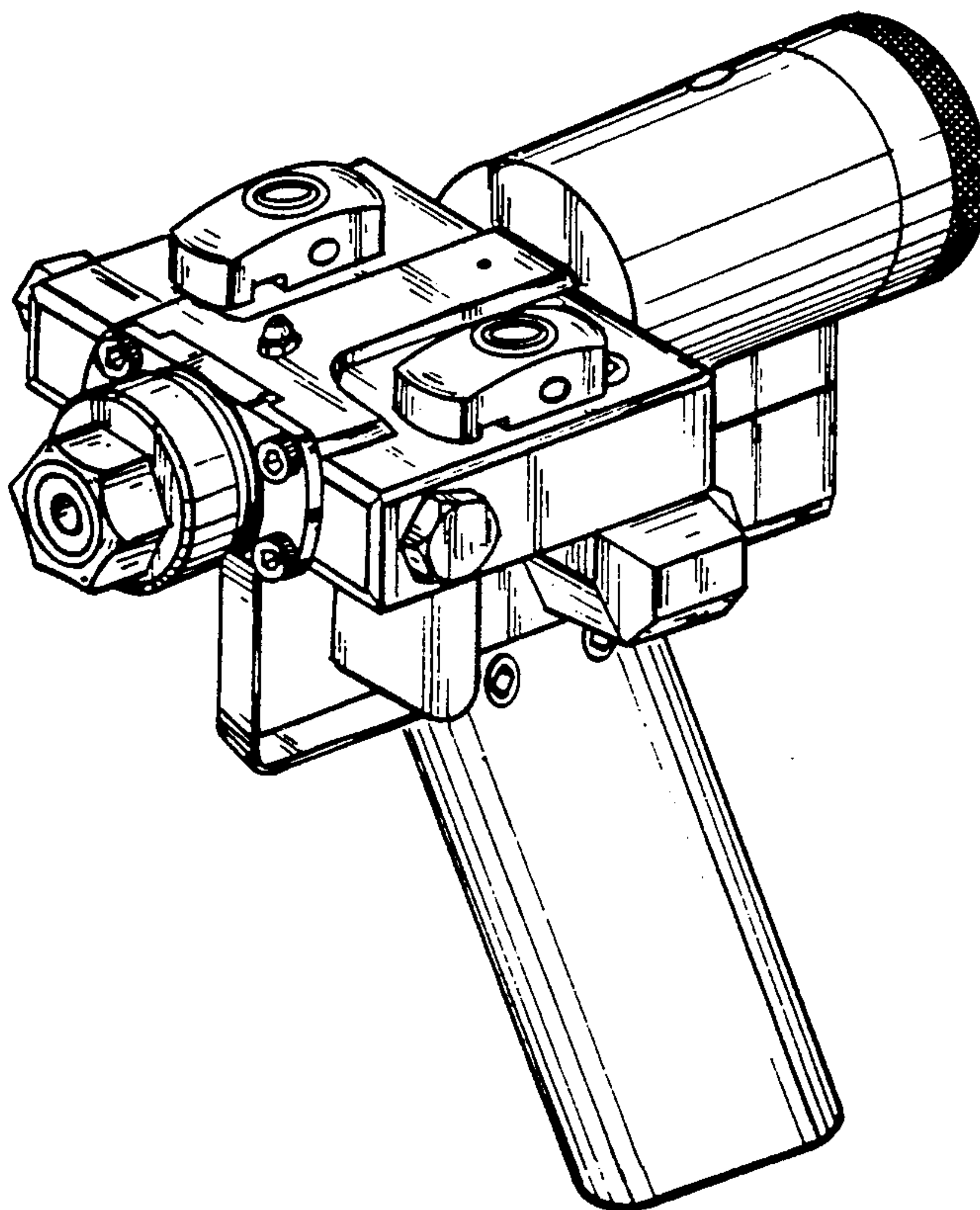
*Attorney, Agent, or Firm*—Ralph D'Alessandro

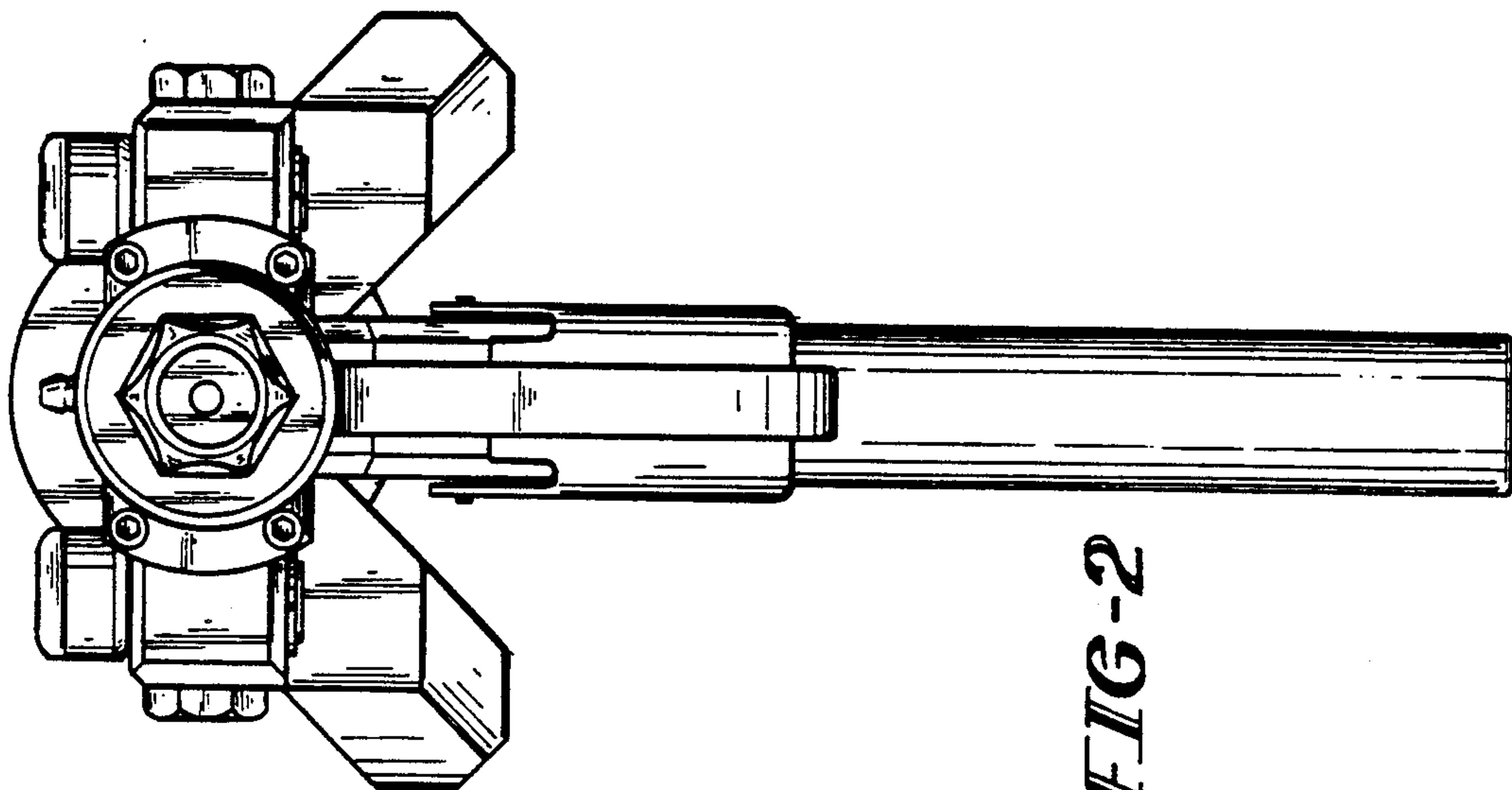
[57] **CLAIM**

The ornamental design for a urethane foam dispensing gun, as shown and described.

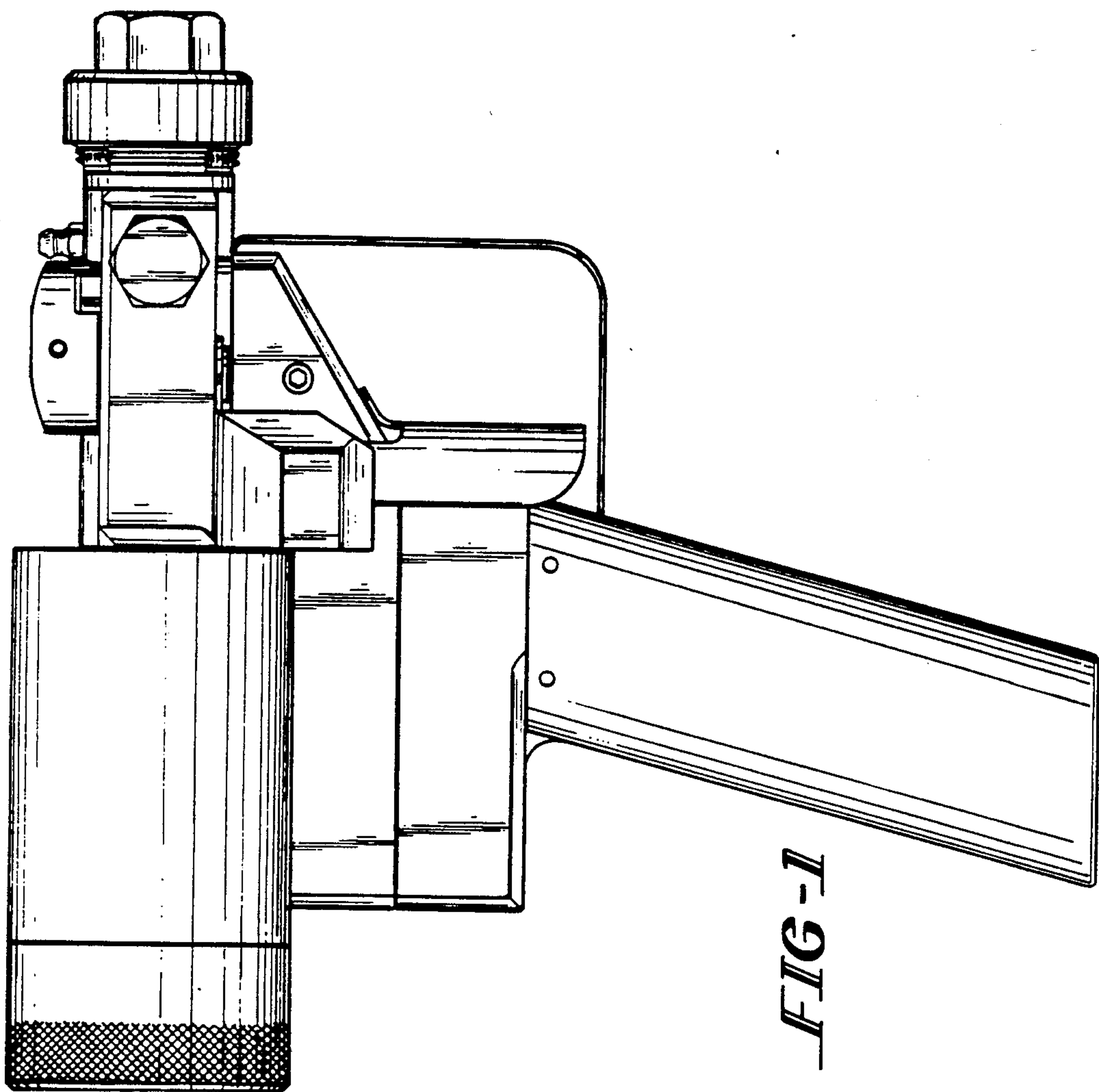
**DESCRIPTION**

FIG. 1 is a right side elevational view of a urethane foam dispensing gun showing our new design; FIG. 2 is front elevational view thereof; FIG. 3 is a left side elevational view thereof; FIG. 4 is a rear elevational view thereof; FIG. 5 is a bottom plan view thereof; FIG. 6 is a top plan view thereof; and FIG. 7 is a perspective view thereof.

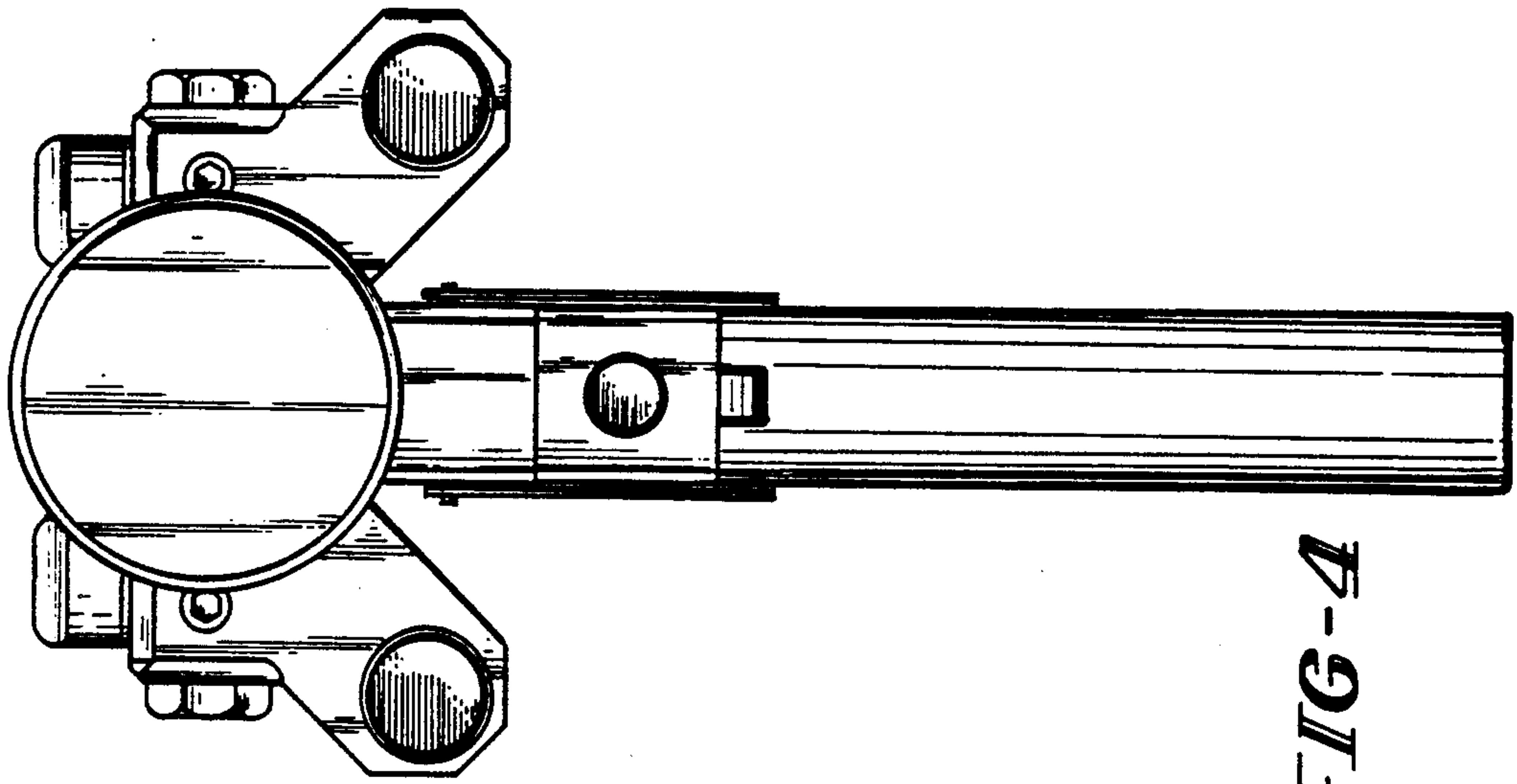




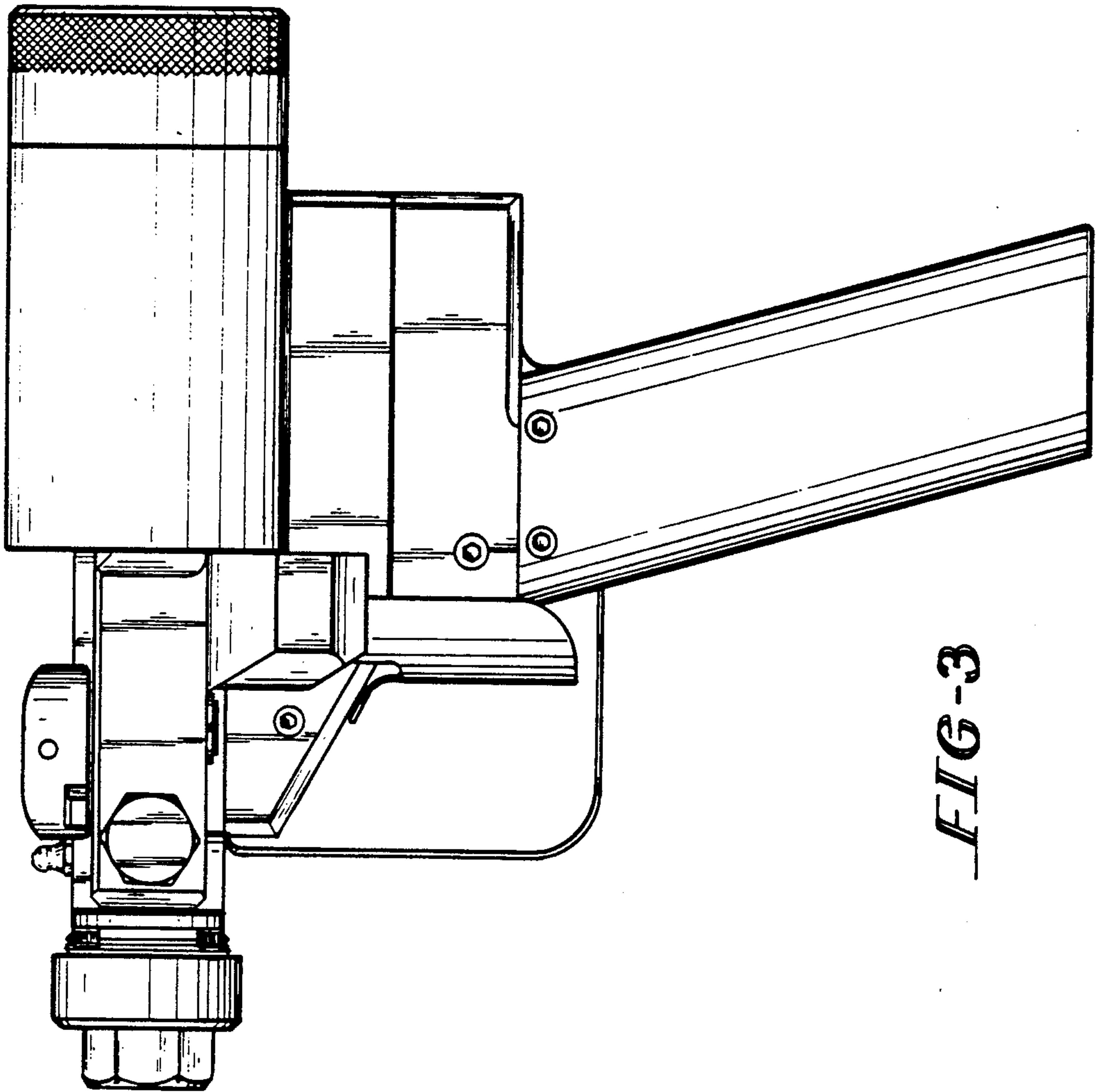
*FIG-2*



*FIG-1*

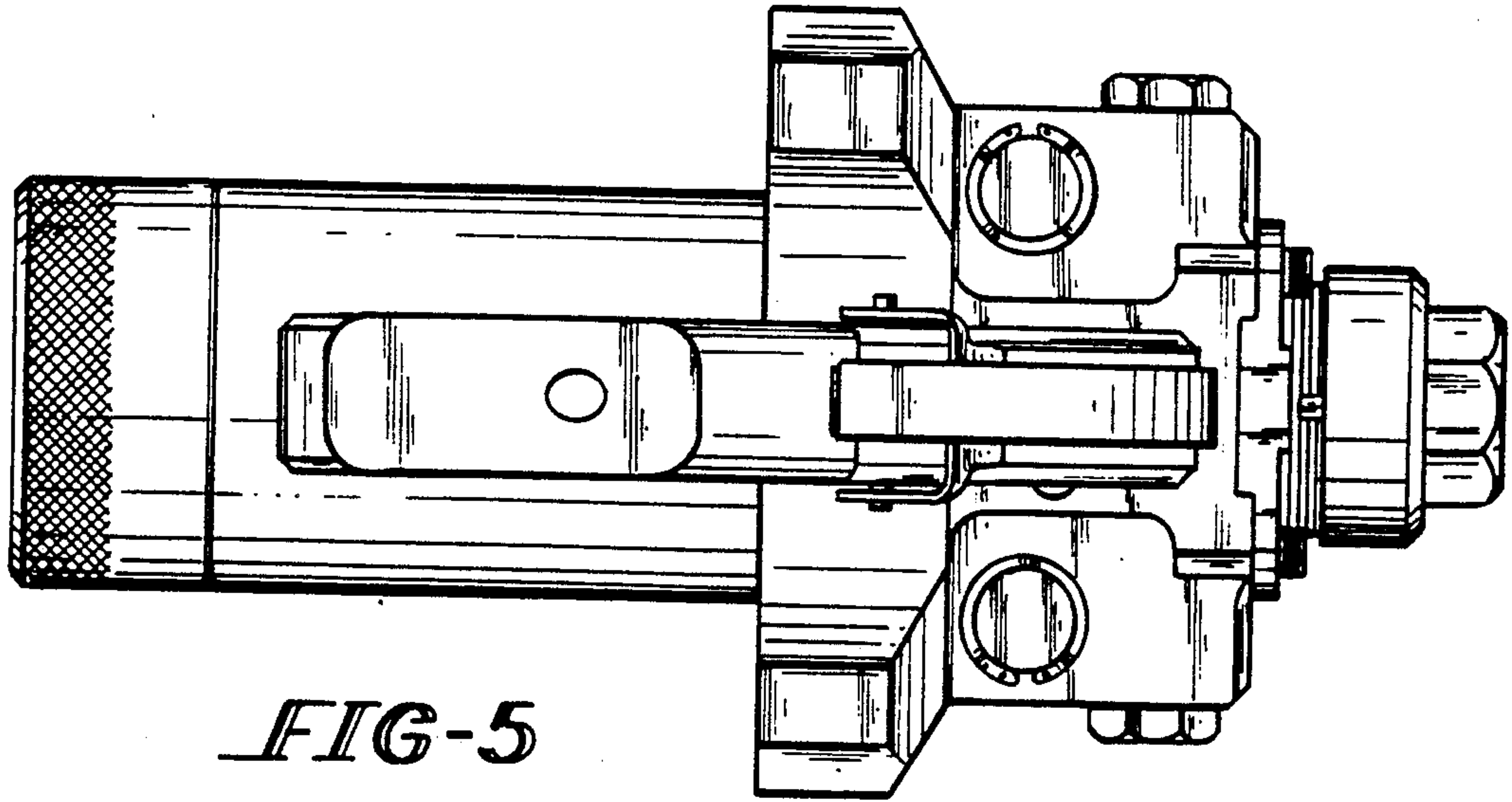


*FIG-4*

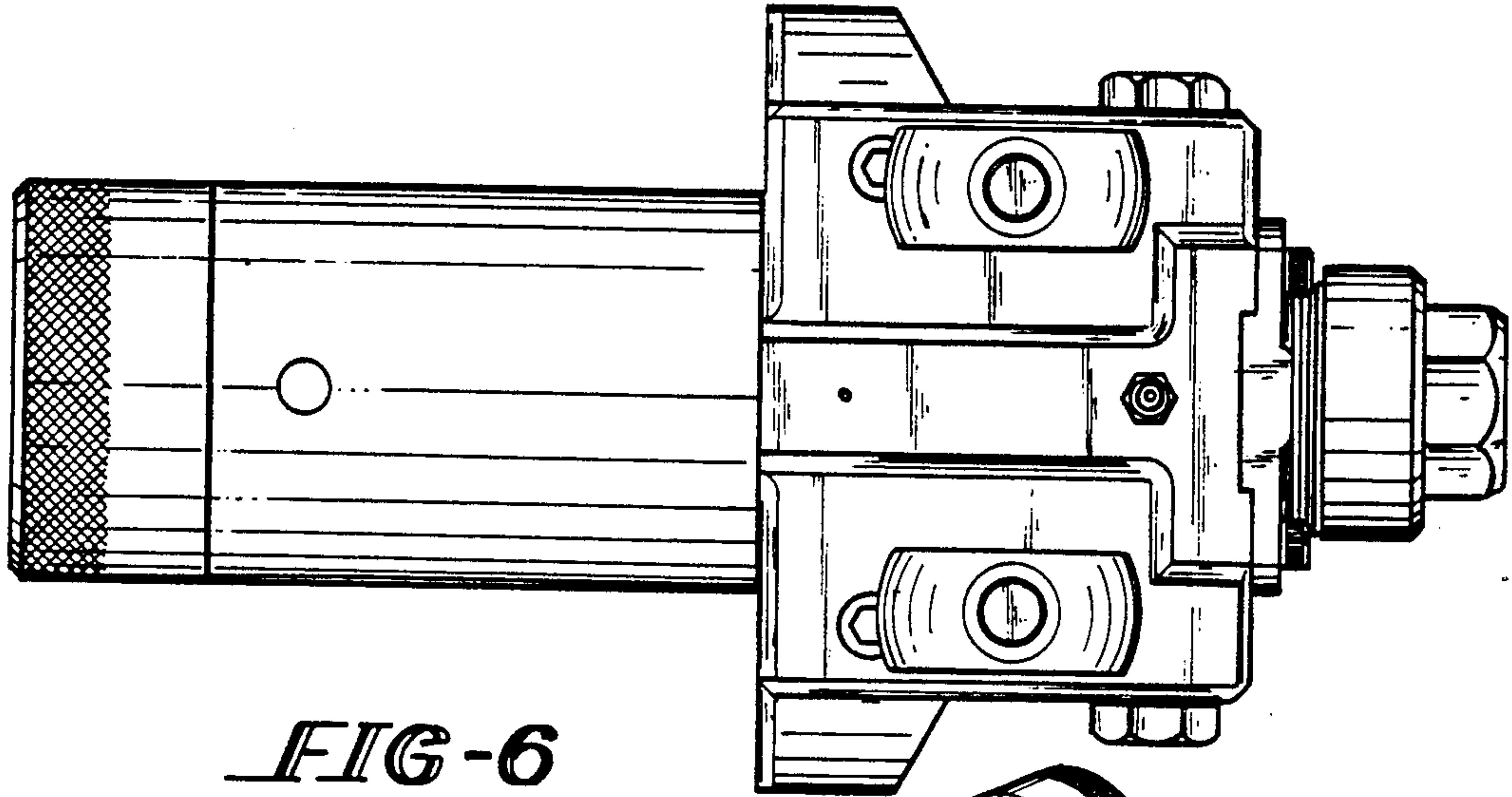


*FIG-3*

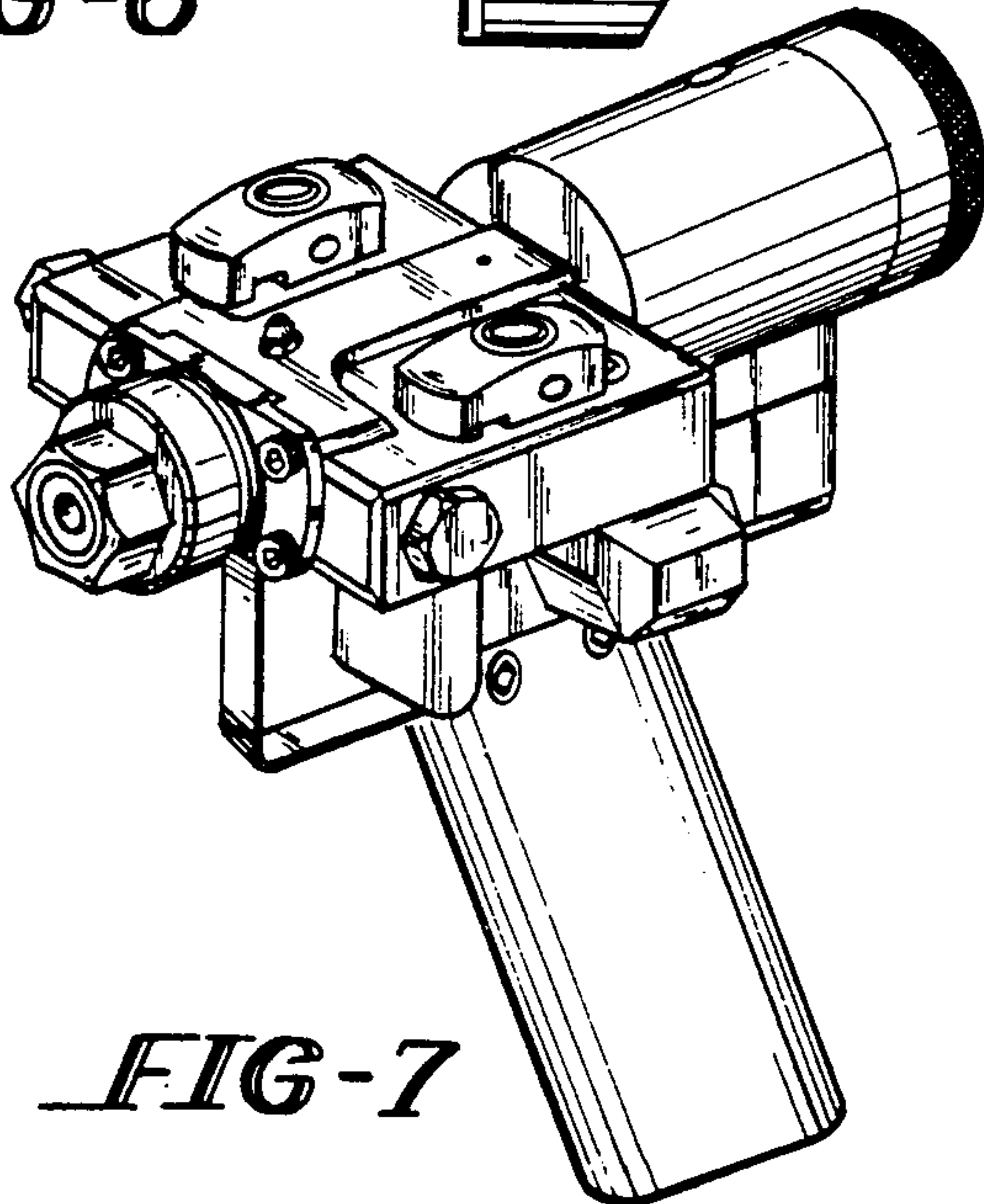




*FIG-5*



*FIG-6*



*FIG-7*