

[54] **WATERING CAN**

[75] **Inventor: Arthur R. Carlson, East Malvern, Australia**

[73] **Assignee: The Decor Corporation Proprietary Limited, Victoria, Australia**

[\*\*] **Term: 14 Years**

[21] **Appl. No.: 188,282**

[22] **Filed: Apr. 29, 1988**

[52] **U.S. Cl. .... D23/212**

[58] **Field of Search ..... D23/200, 211, 213-221; 220/85 SP; 222/465.1, 468, 565, 567, 571, 572-573; 239/375-379; D7/300-302, 514-516, 519**

[56] **References Cited**

**U.S. PATENT DOCUMENTS**

D. 256,152 7/1980 Darnell ..... D23/212  
D. 266,018 8/1982 Dilyard ..... D23/212  
D. 279,211 6/1985 Carlson ..... D23/212

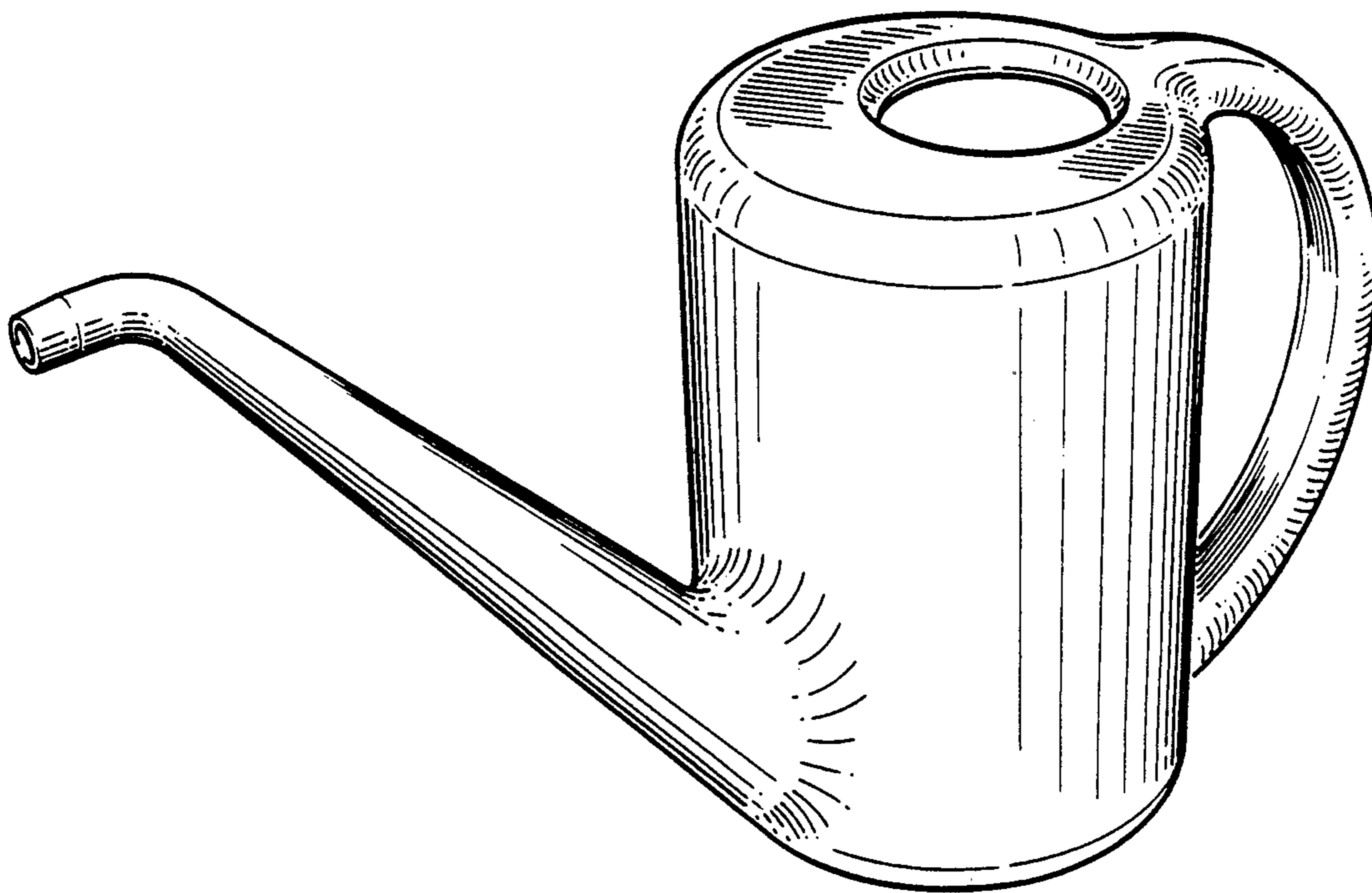
*Primary Examiner*—Susan J. Lucas  
*Assistant Examiner*—M. H. Tung  
*Attorney, Agent, or Firm*—Richard Bushnell

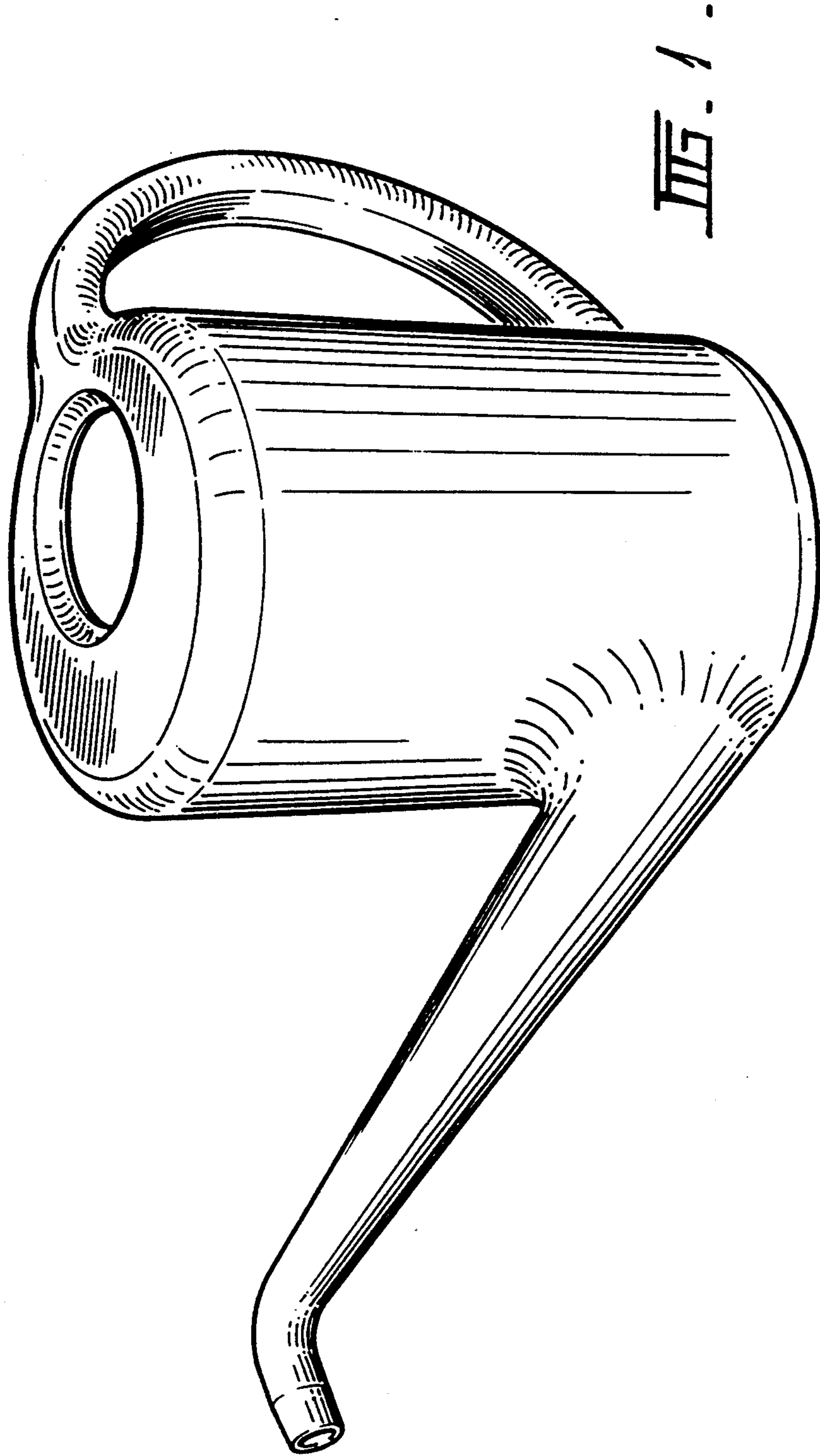
[57] **CLAIM**

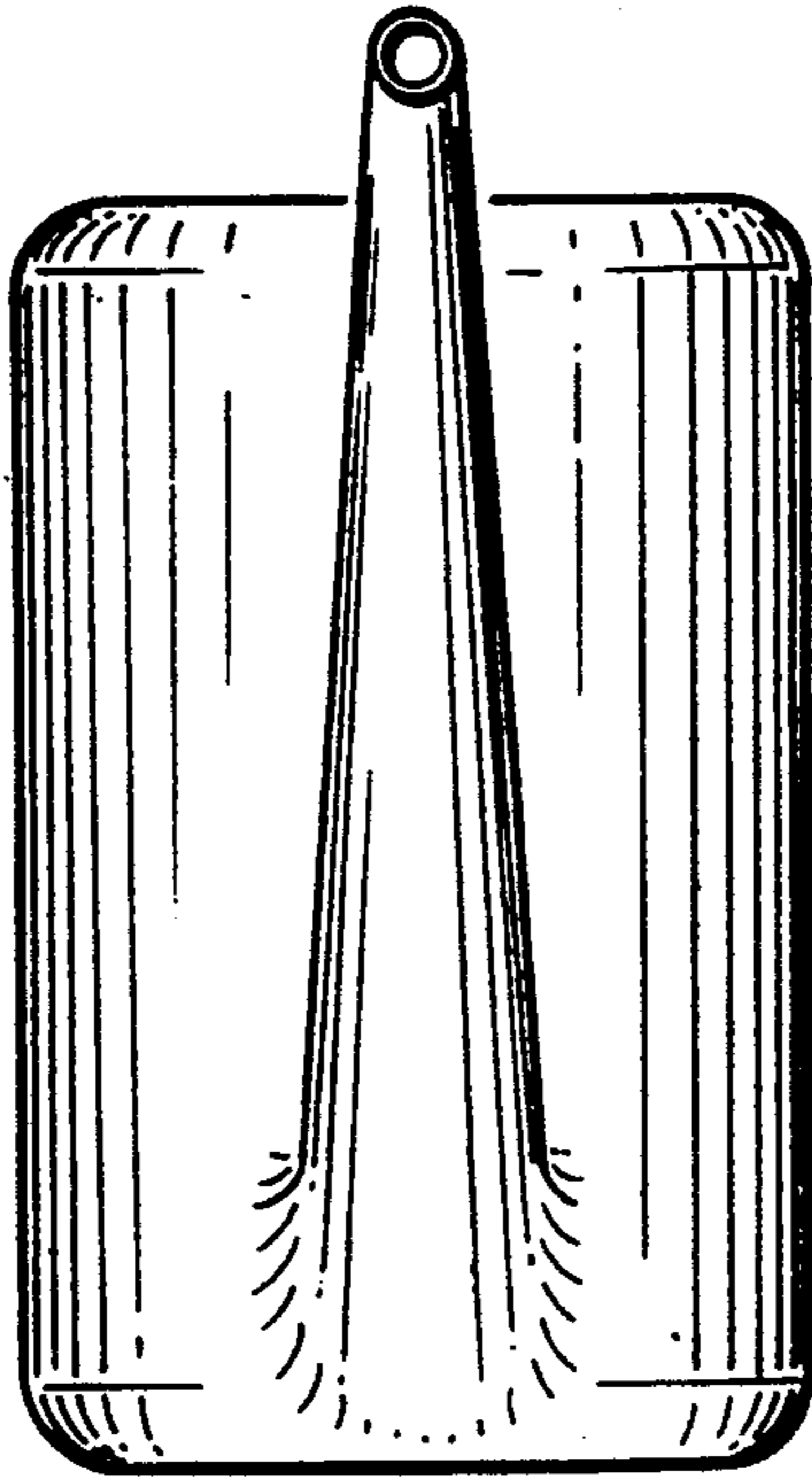
The ornamental design for a watering can, as shown and described.

**DESCRIPTION**

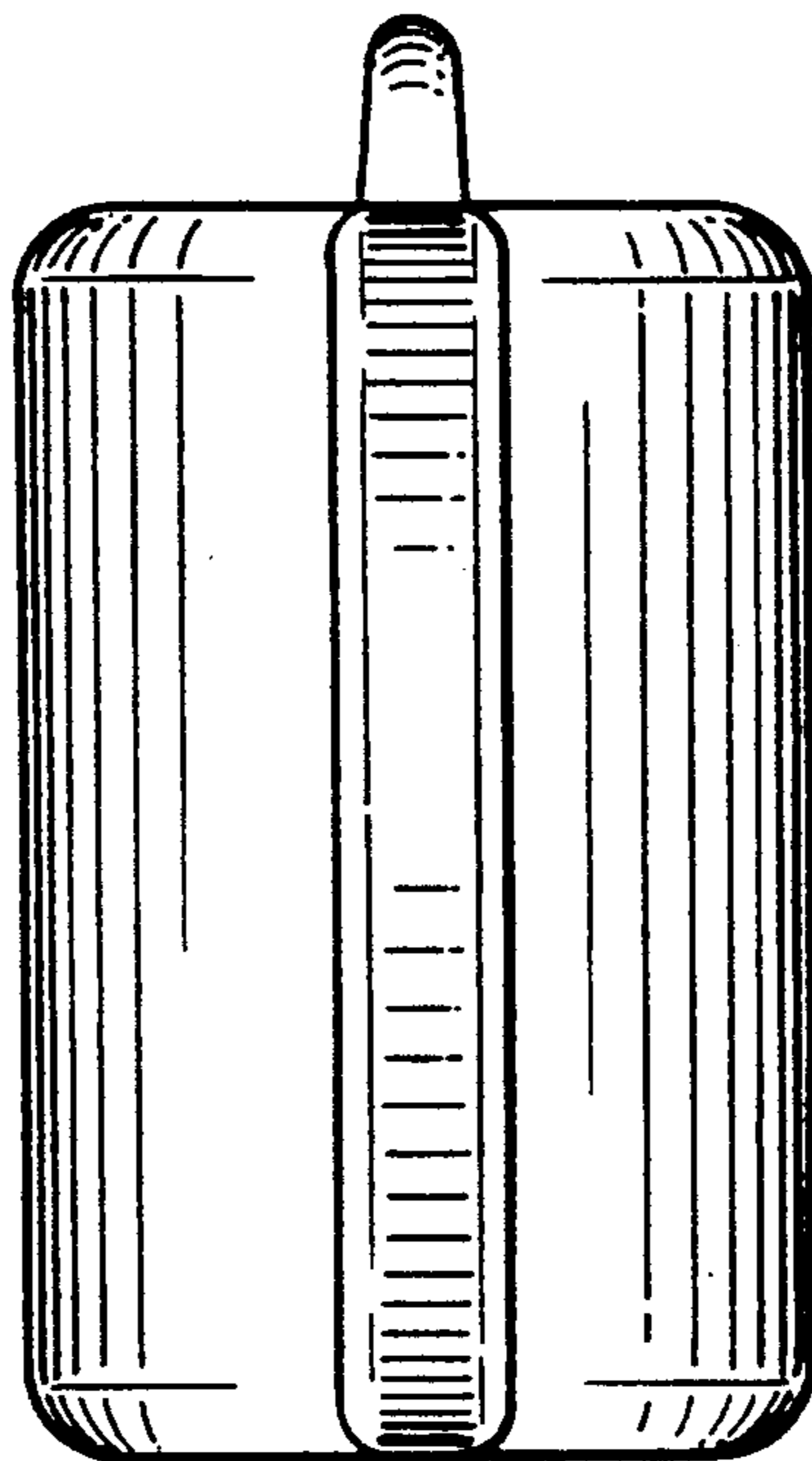
FIG. 1 is a top perspective view of a watering can showing my new design, on an enlarged scale;  
FIG. 2 is a front elevational view thereof;  
FIG. 3 is a rear elevational view thereof;  
FIG. 4 is a side elevational view thereof, the other side being a mirror image;  
FIG. 5 is a top plan view thereof.







*FIG. 2.*



*FIG. 3.*

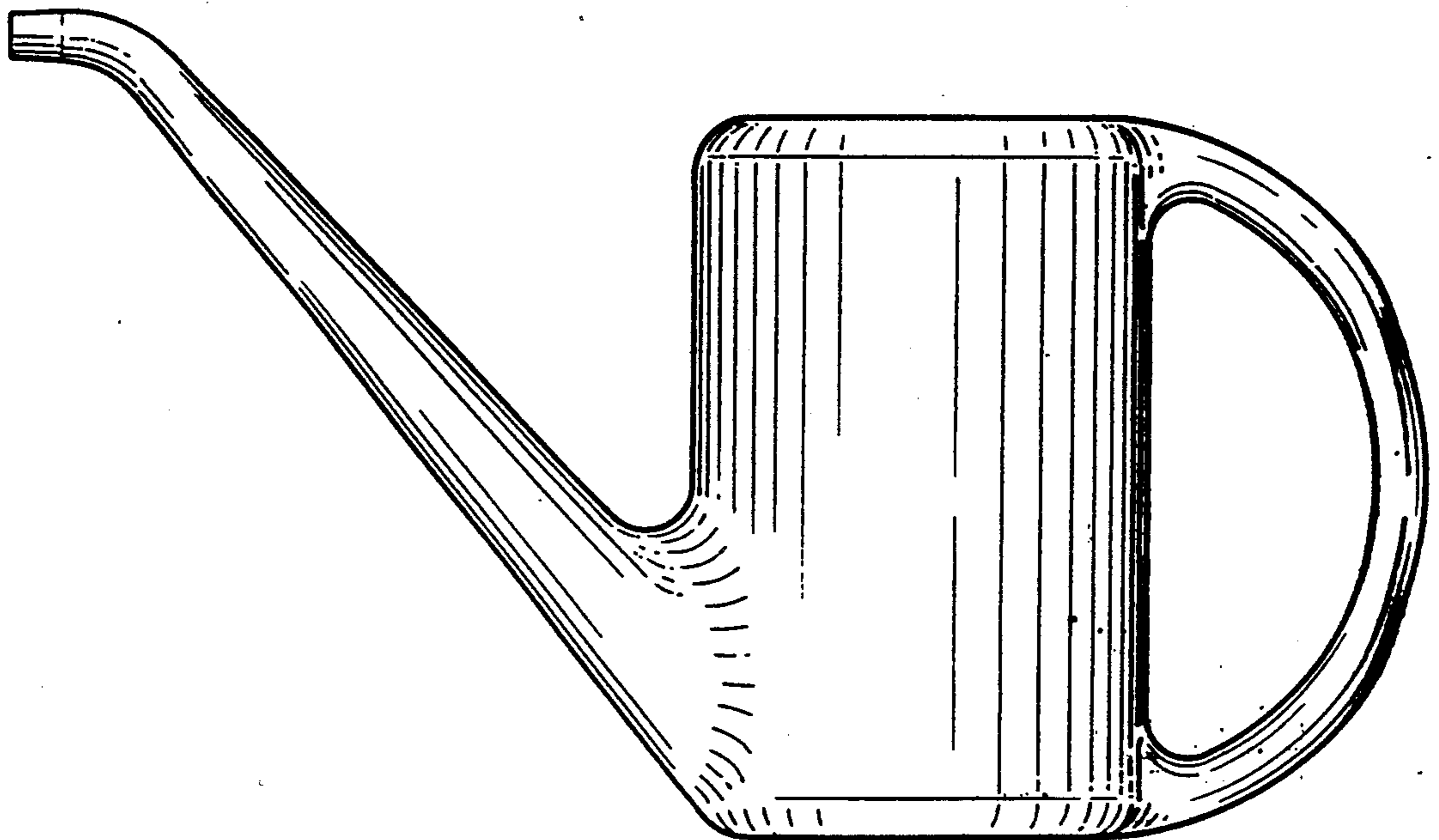


FIG. 4.

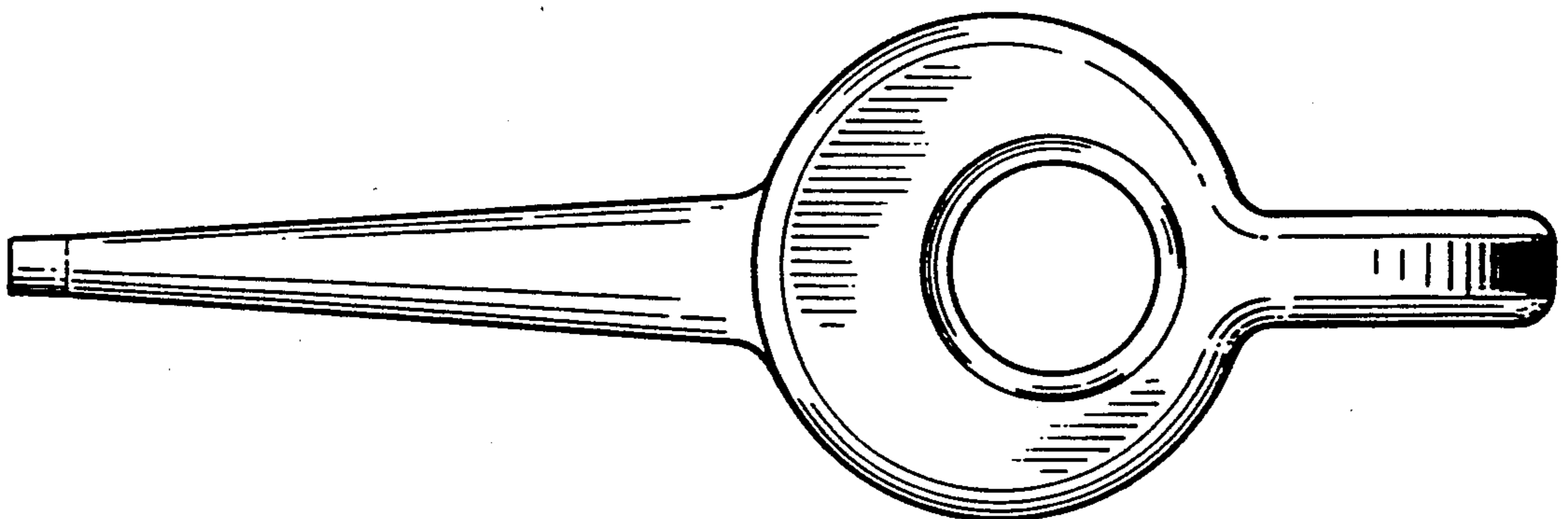


FIG. 5.