

[54] HEAD FOR A QUICK-CHANGE FILTER CARTRIDGE

[75] Inventors: Raymond M. Petrucci, Middlebury; Bruce G. Taylor, Kensington; Edward C. Giordano, Manchester, all of Conn.; James M. Padilla, Covina Heights; Carl Palmer, La Habra Heights, both of Calif.

[73] Assignee: Cuno, Incorporated, Meriden, Conn.

[\*\*] Term: 14 Years

[21] Appl. No.: 412,873

[22] Filed: Sep. 26, 1989

Related U.S. Application Data

[60] Division of Ser. No. 128,505, Dec. 3, 1987, Pat. No. Des. 306,755, which is a continuation-in-part of Ser. No. 822,549, Jan. 27, 1985, abandoned.

[52] U.S. Cl. .... D23/209

[58] Field of Search ..... D23/207-210; 210/136, 238, 282, 234, 440, 444, 446, 448, 457, 492

[56] References Cited

U.S. PATENT DOCUMENTS

D. 199,075	9/1964	Kudlaty .....	D23/209
D. 199,139	9/1964	Kudlaty .....	D23/209
D. 220,263	3/1971	Hughes .....	D23/209
D. 250,415	11/1978	Rosaen et al. ....	D23/209
D. 295,438	4/1988	Bray et al. ....	D23/207
1624,526	4/1927	Bohmsack .....	D23/209 X
2,955,712	10/1960	Gutkowski .....	210/234
3,237,770	3/1966	Humbert, Jr. ....	210/94
4,192,750	3/1980	Elfes et al. ....	210/232

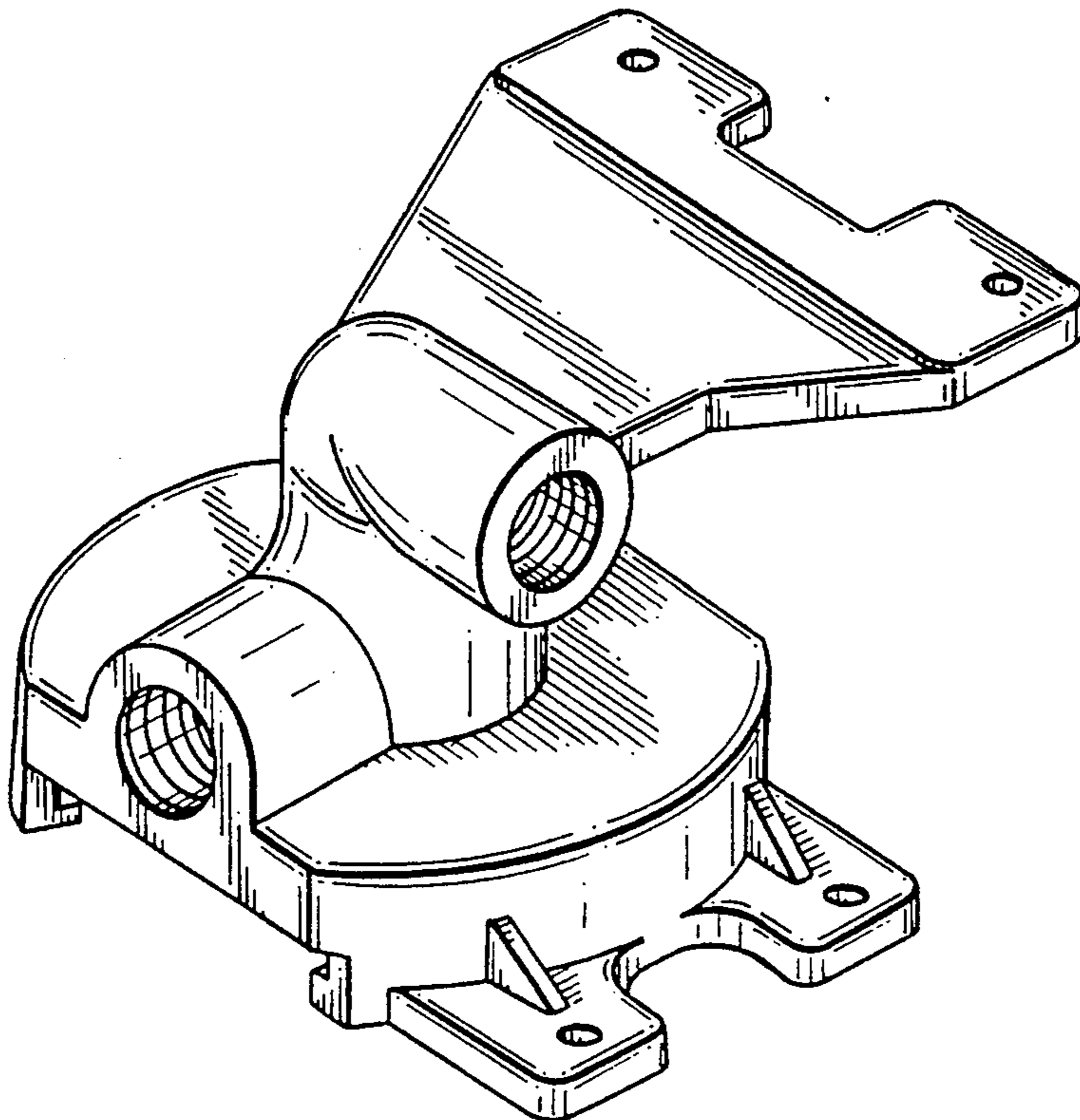
Primary Examiner—Wallace R. Burke  
Assistant Examiner—M. H. Tung  
Attorney, Agent, or Firm—Weingram & Zall

[57] CLAIM

The ornamental design for a head for a quick-change filter cartridge, as shown and described.

DESCRIPTION

FIG. 1 is a bottom, front, left side perspective view of a head for a quick-change filter cartridge showing our new design;  
FIG. 2 is a top, rear, right side perspective view thereof;  
FIG. 3 is a left side elevational view thereof;  
FIG. 4 is a front elevational view thereof;  
FIG. 5 is a top plan view thereof;  
FIG. 6 is a bottom plan view thereof.



*FIG-1*

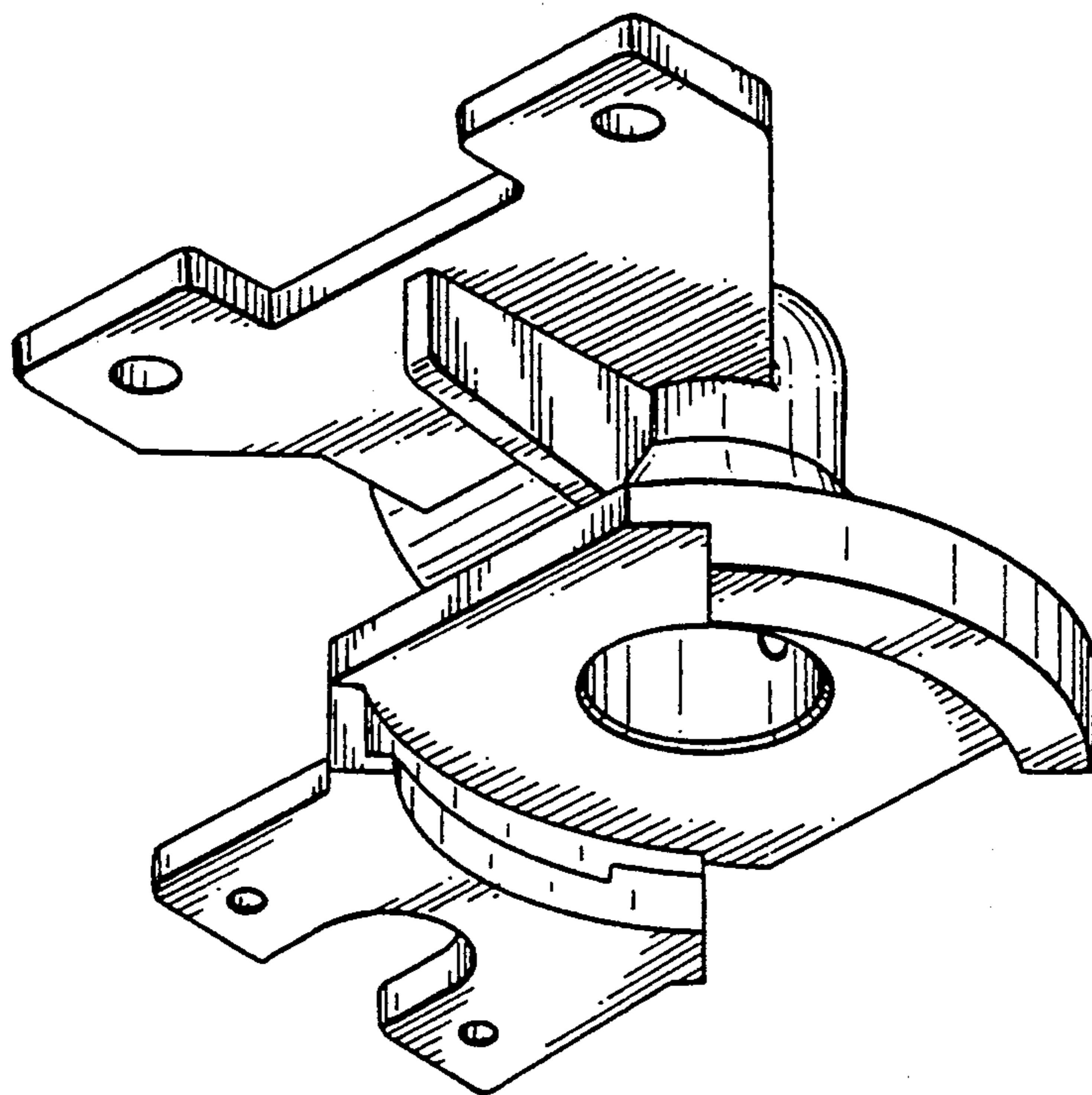


FIG-2

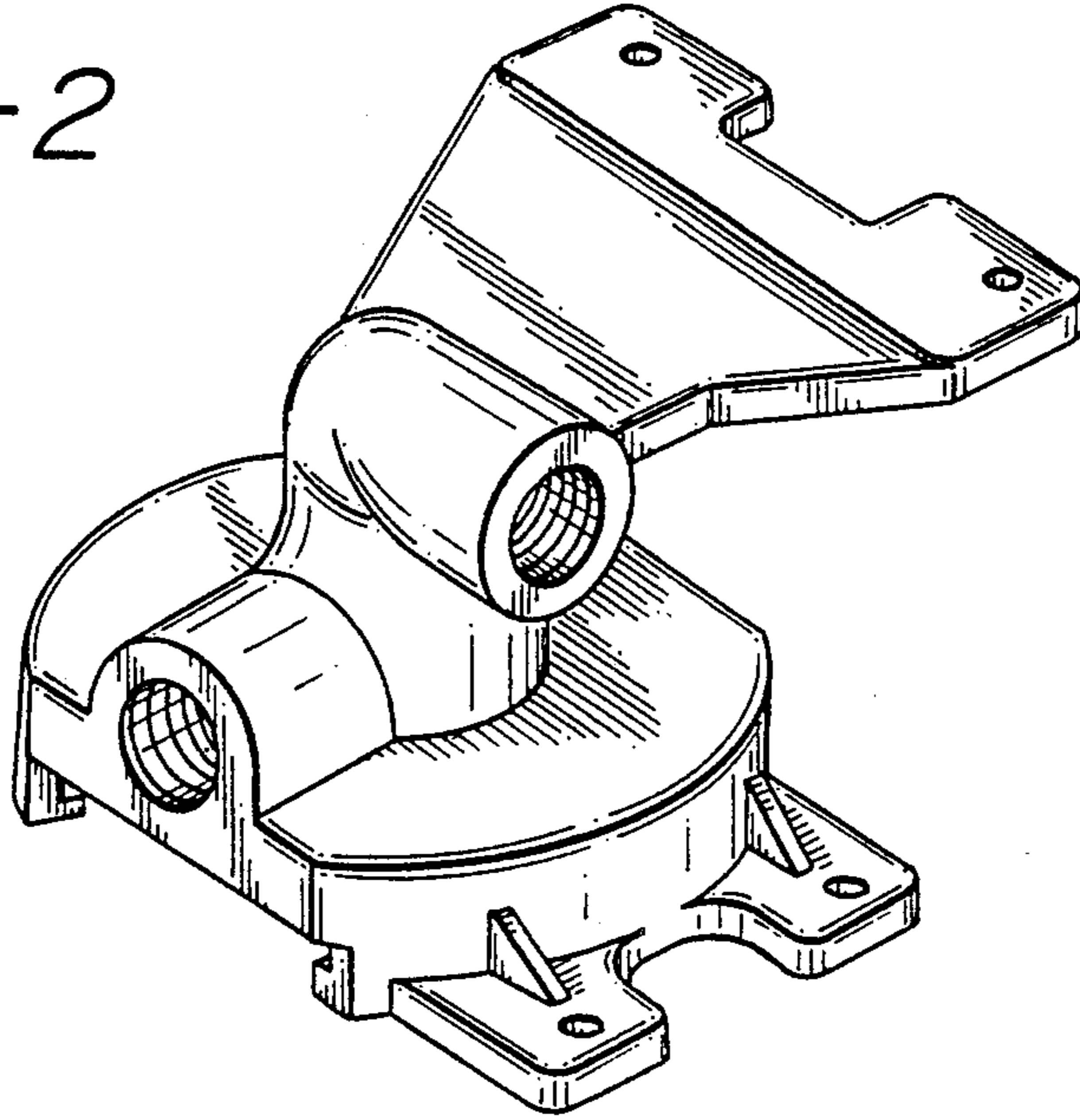


FIG-3

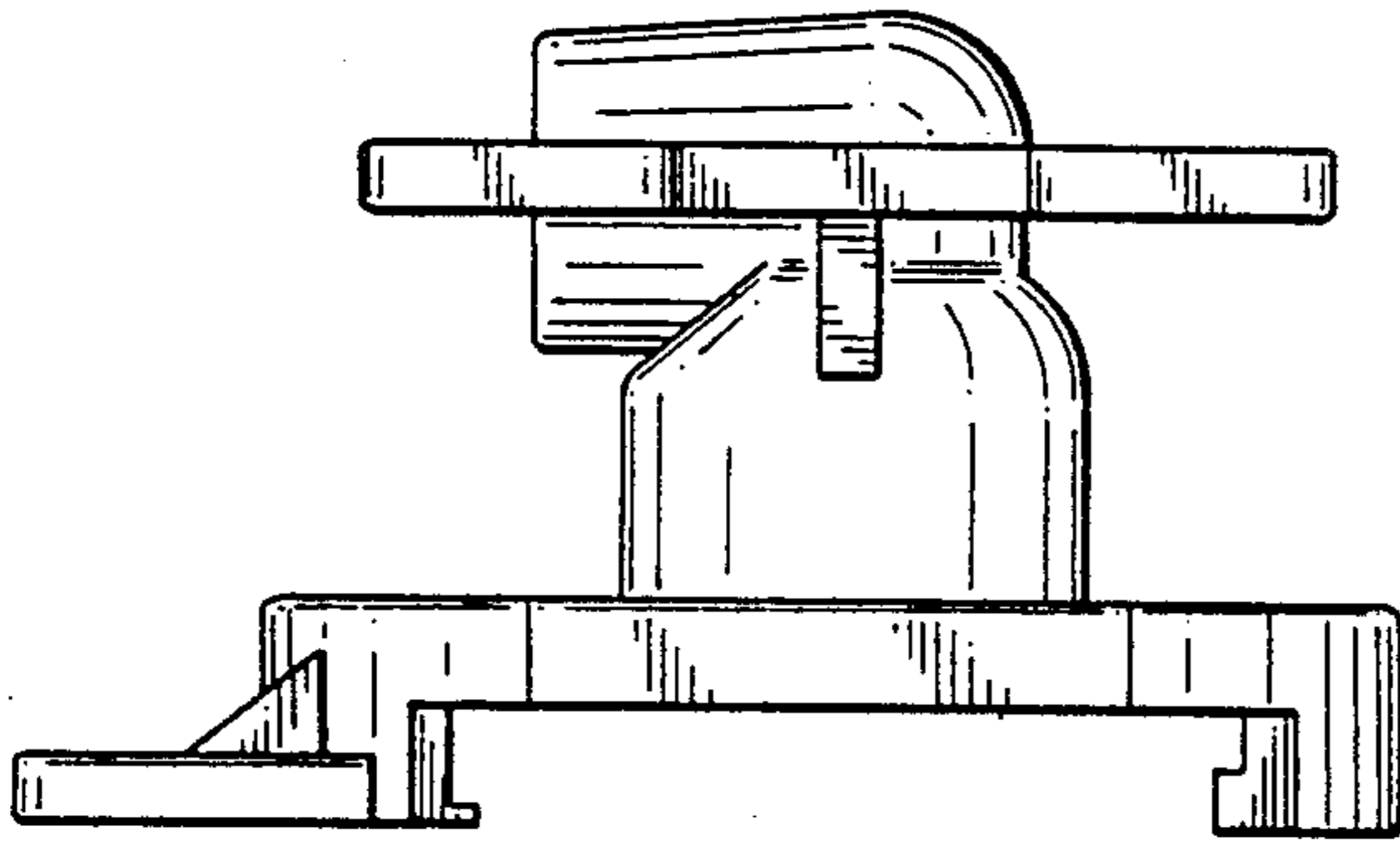
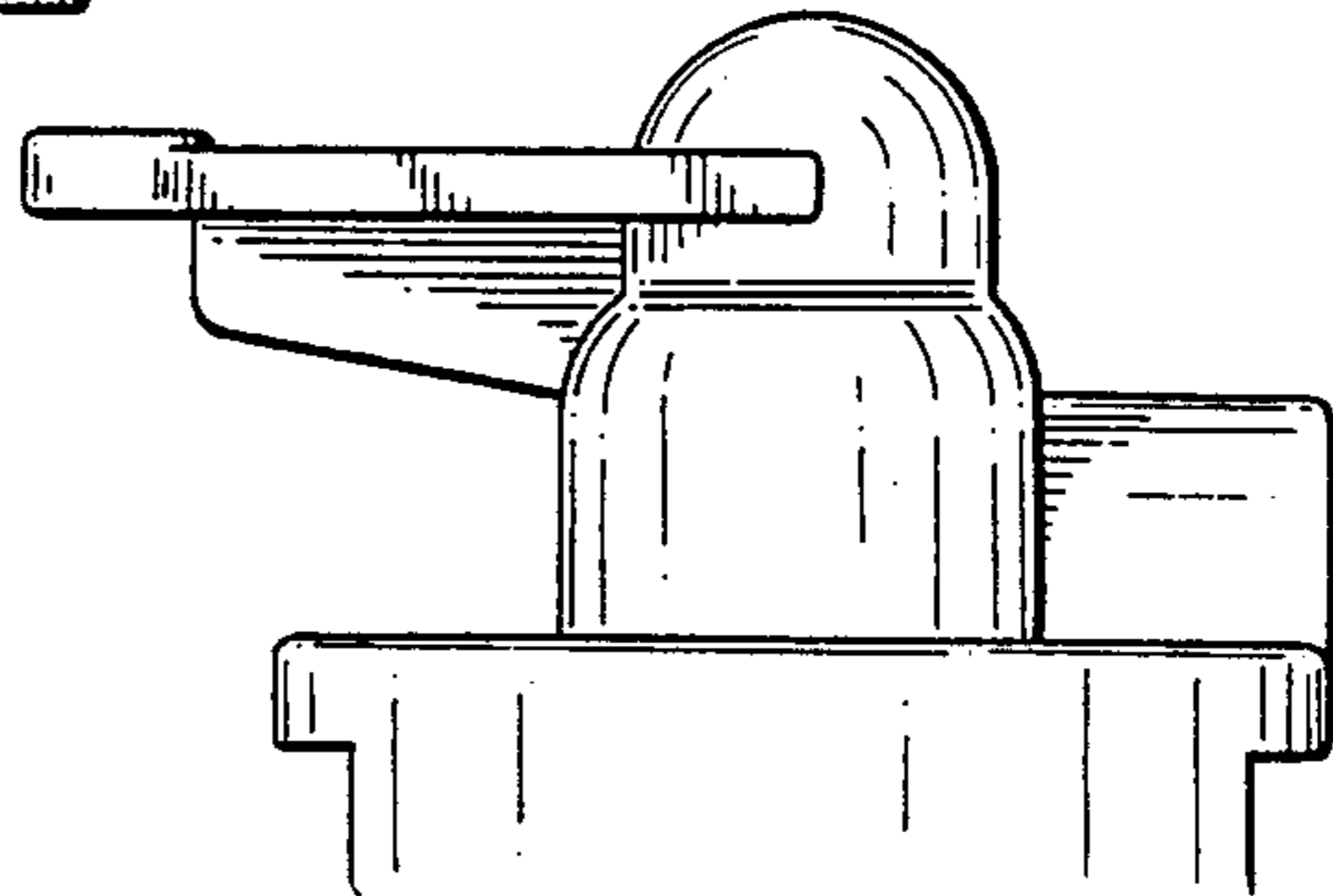
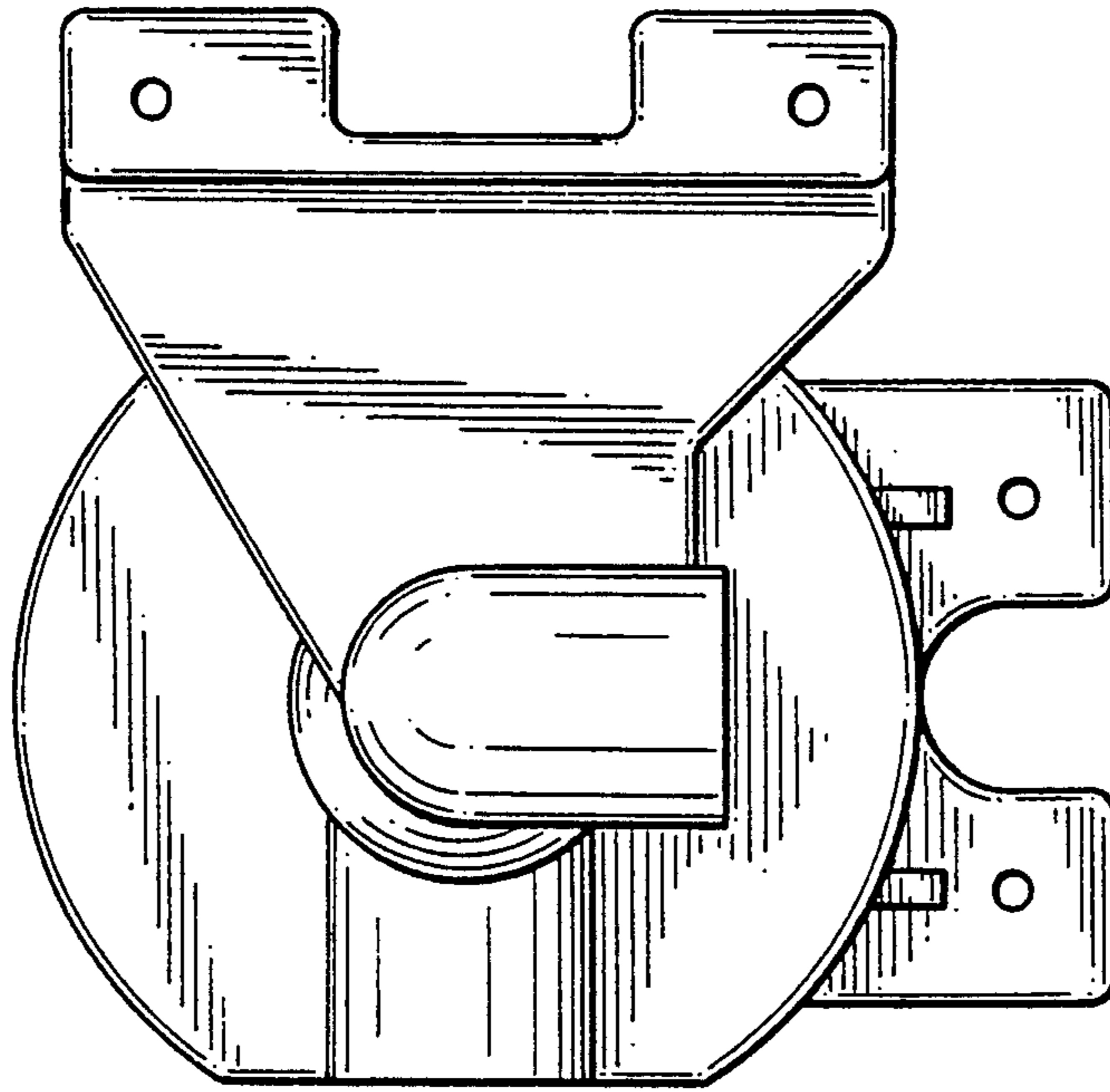


FIG-4



*FIG-5*



*FIG-6*

