

[54] REEL FOR FISHING

[75] Inventor: Toshiaki Yoshikawa, Musashino, Japan

[73] Assignee: Daiwa Seiko, Inc., Tokyo, Japan

[**] Term: 14 Years

[21] Appl. No.: 221,182

[22] Filed: Jul. 19, 1988

[30] Foreign Application Priority Data

Jan. 20, 1988 [JP] Japan 63-1798

[52] U.S. Cl. D22/141

[58] Field of Search D22/141, 140; 242/230, 242/231, 232, 233

[56] References Cited

U.S. PATENT DOCUMENTS

D. 253,840 1/1980 Hiraishi D22/141

D. 300,237 3/1989 Myojo D22/141

D. 300,765 4/1989 Iinuma et al. D22/141

D. 307,785 5/1990 Yoshikawa D22/141

FOREIGN PATENT DOCUMENTS

478163-2 8/1981 Japan .

628523 7/1984 Japan .

Primary Examiner—A. Hugo Word

Assistant Examiner—Doris V. Coles

Attorney, Agent, or Firm—Bacon & Thomas

[57] CLAIM

The ornamental design for a reel for fishing, as shown.

DESCRIPTION

FIG. 1 is a front perspective view of a reel for fishing showing my new design;

FIG. 2 is a rear perspective view thereof;

FIG. 3 is a front elevational view thereof;

FIG. 4 is a right side elevational view thereof;

FIG. 5 is a top plan view thereof;

FIG. 6 is a rear elevational view thereof;

FIG. 7 is a left side elevational view thereof; and

FIG. 8 is a bottom plan view thereof.

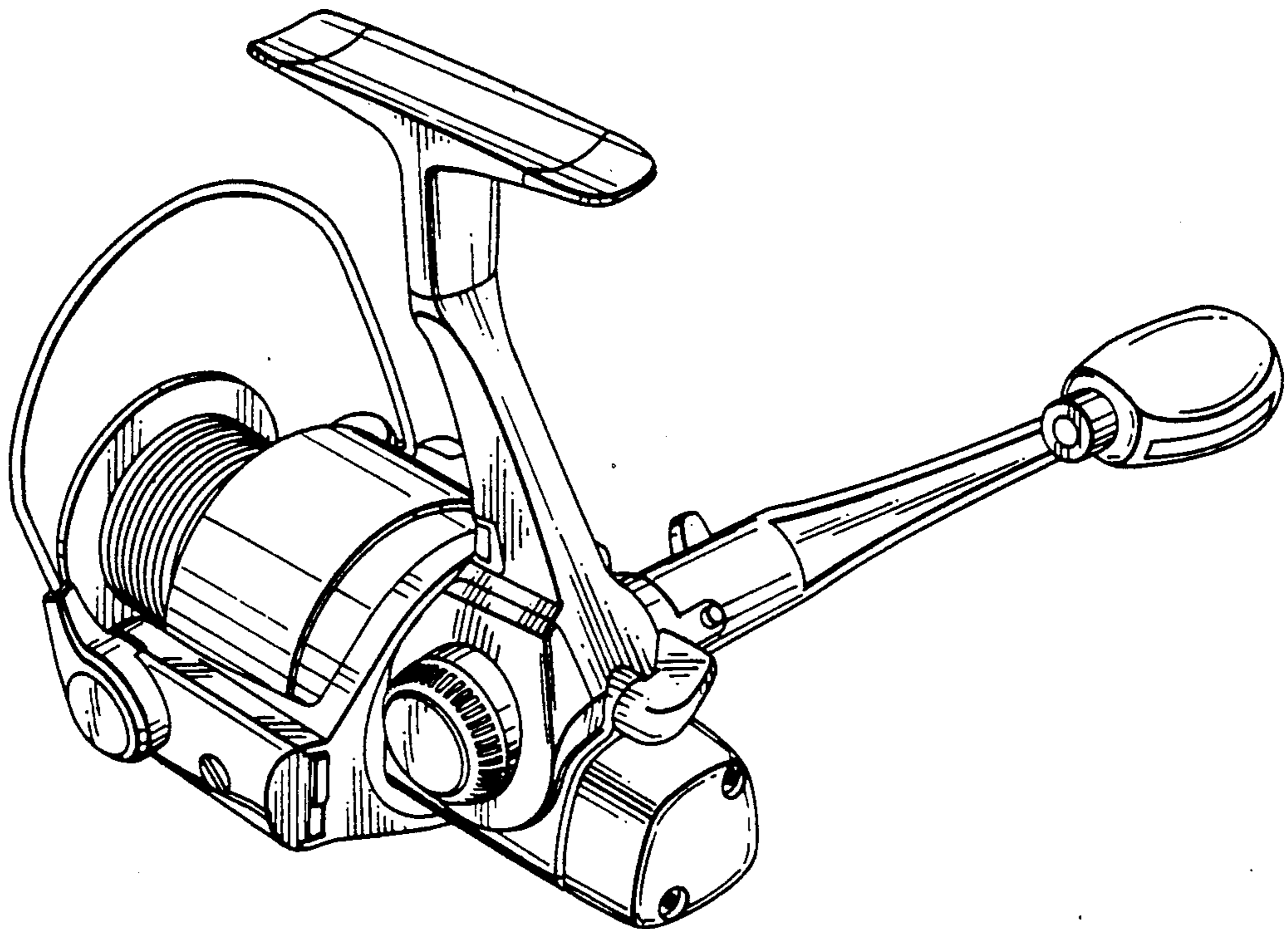


FIG. 1

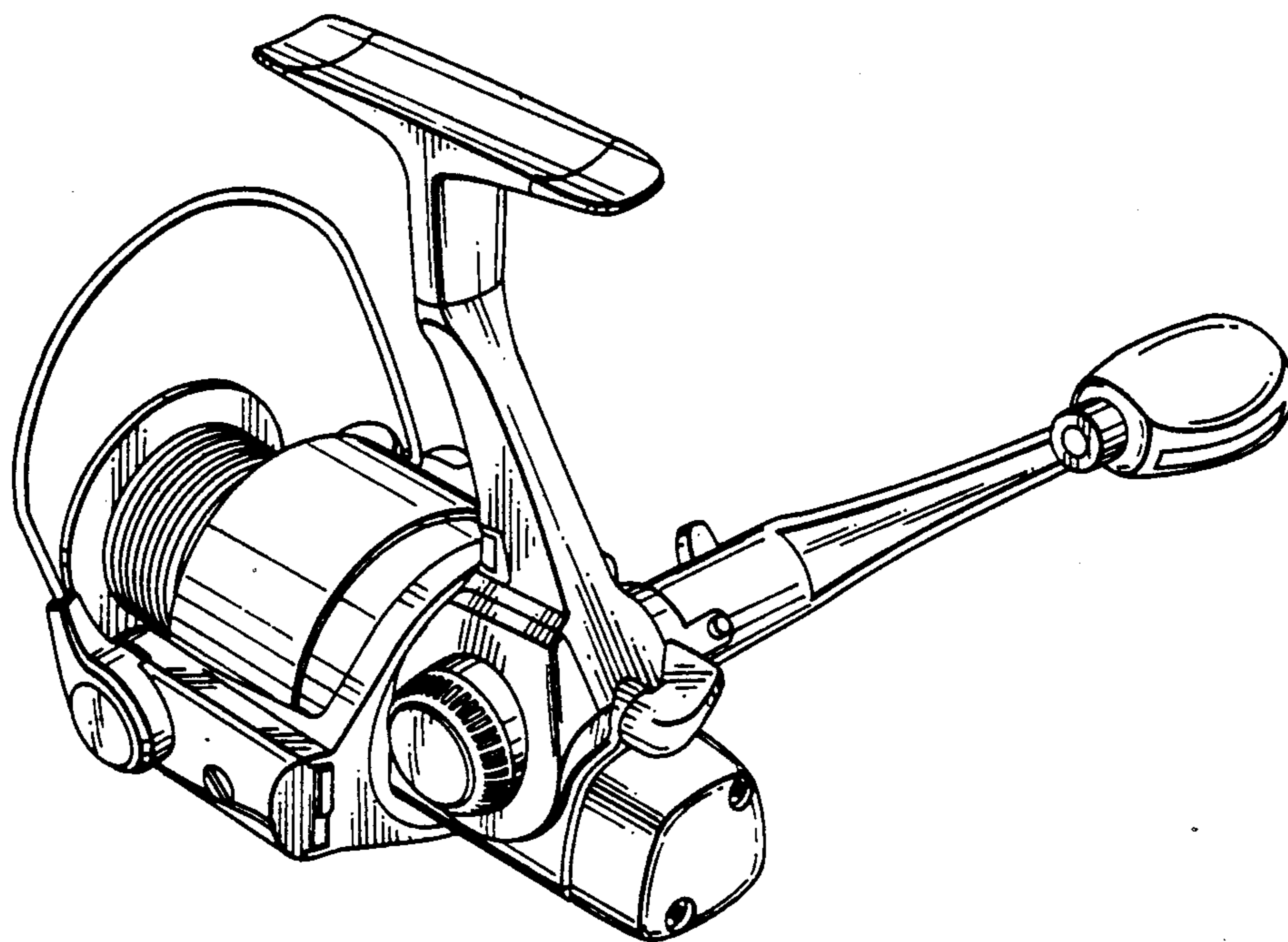


FIG. 2

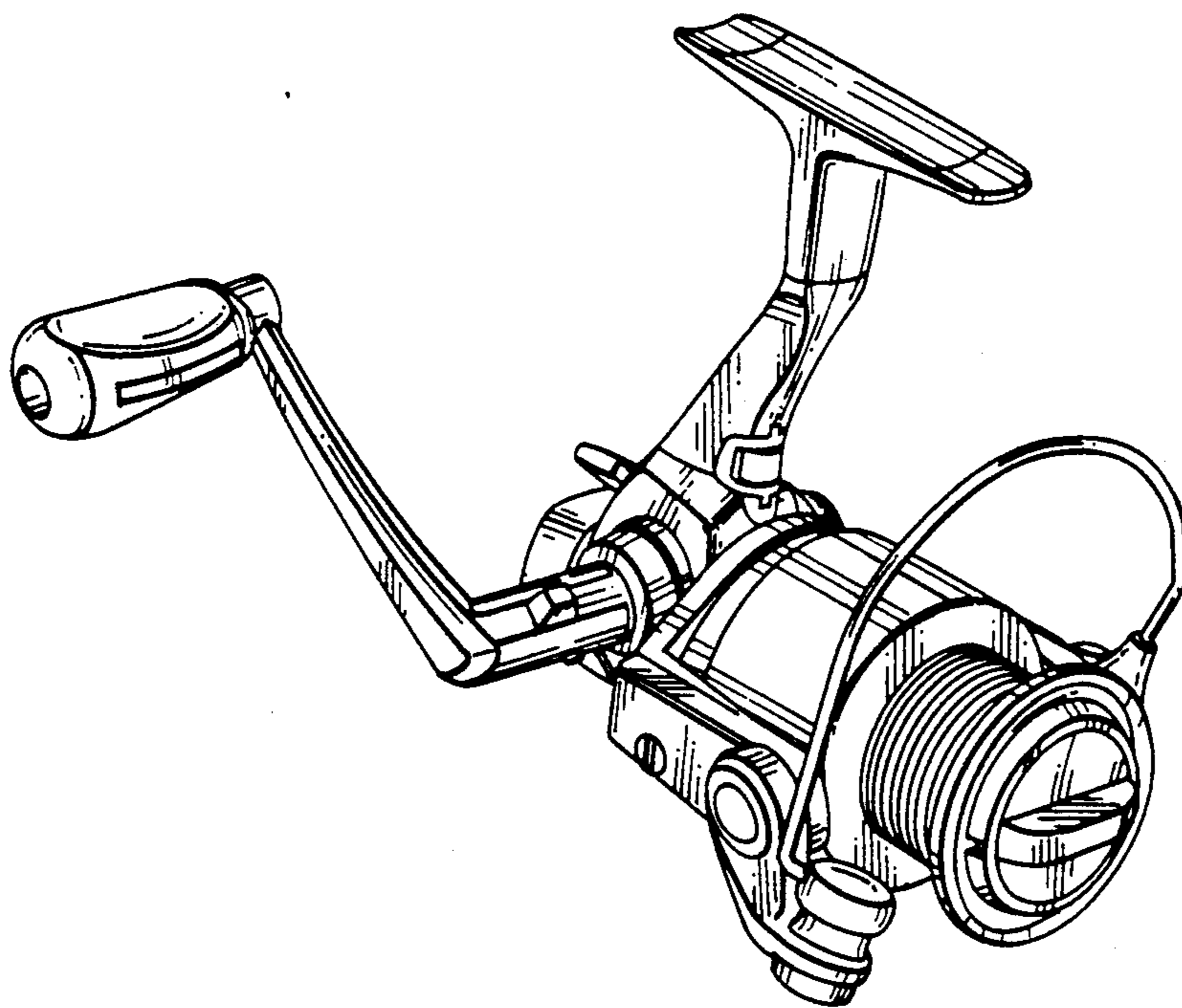


FIG. 3

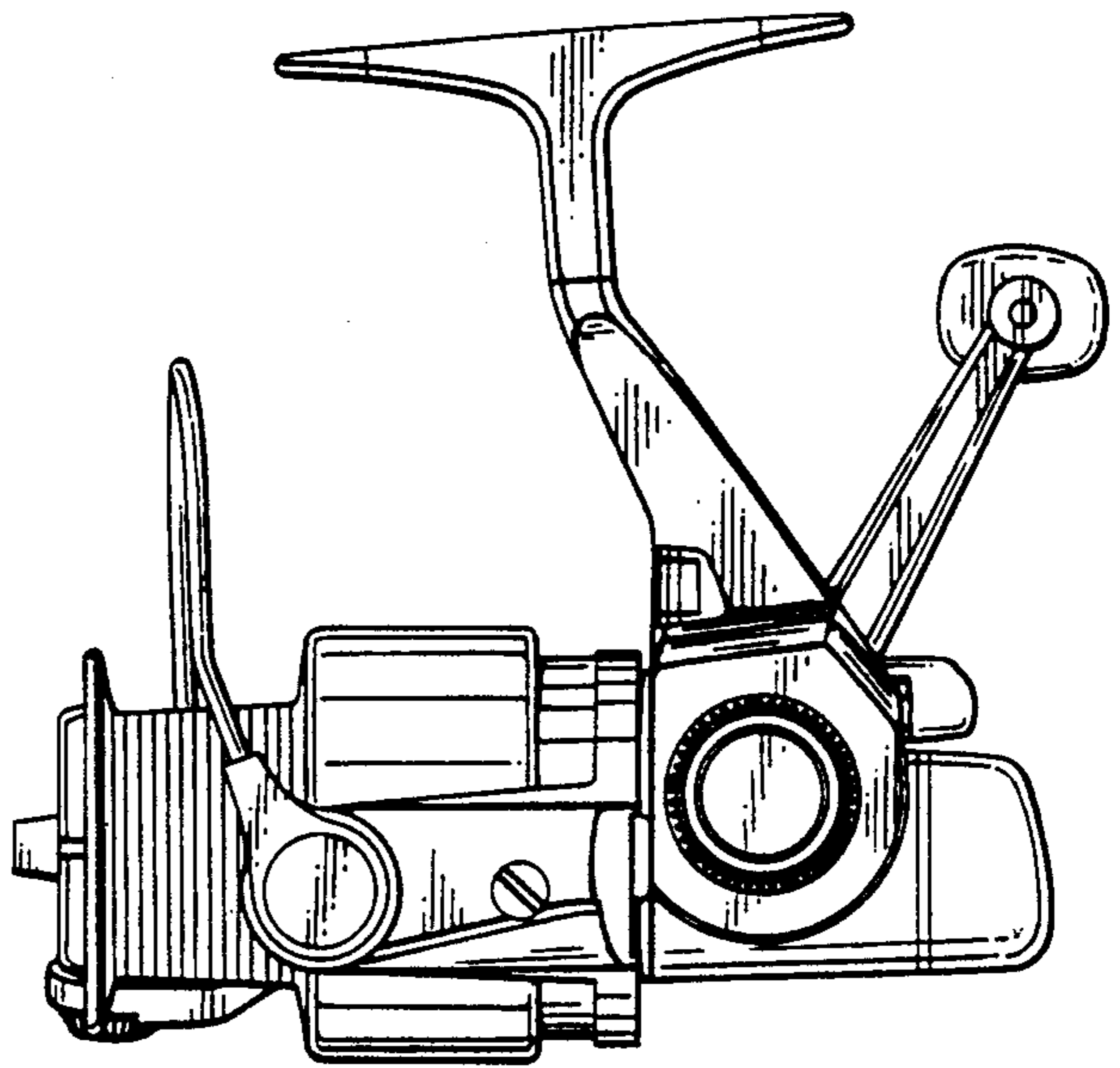


FIG. 4

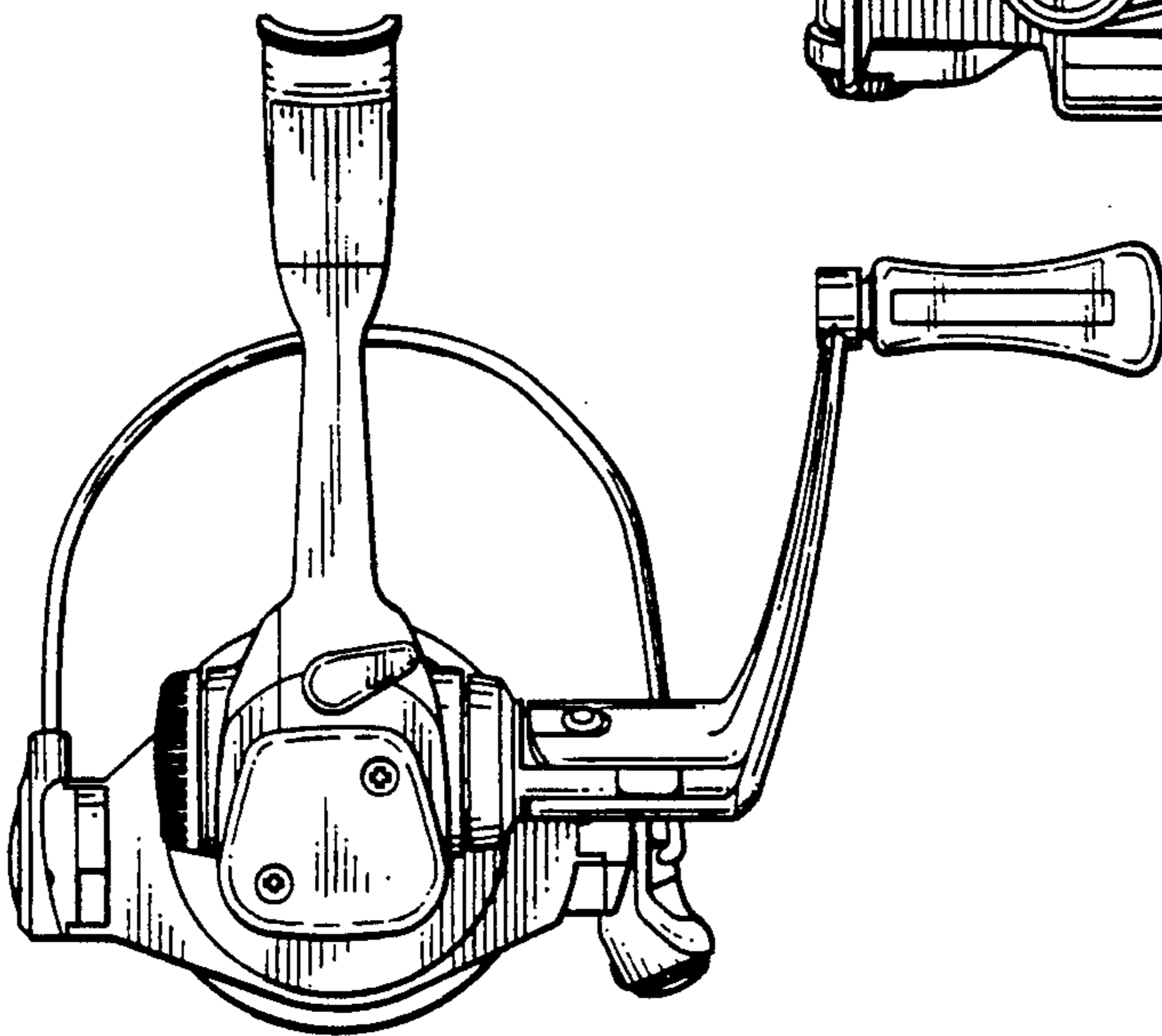


FIG. 5

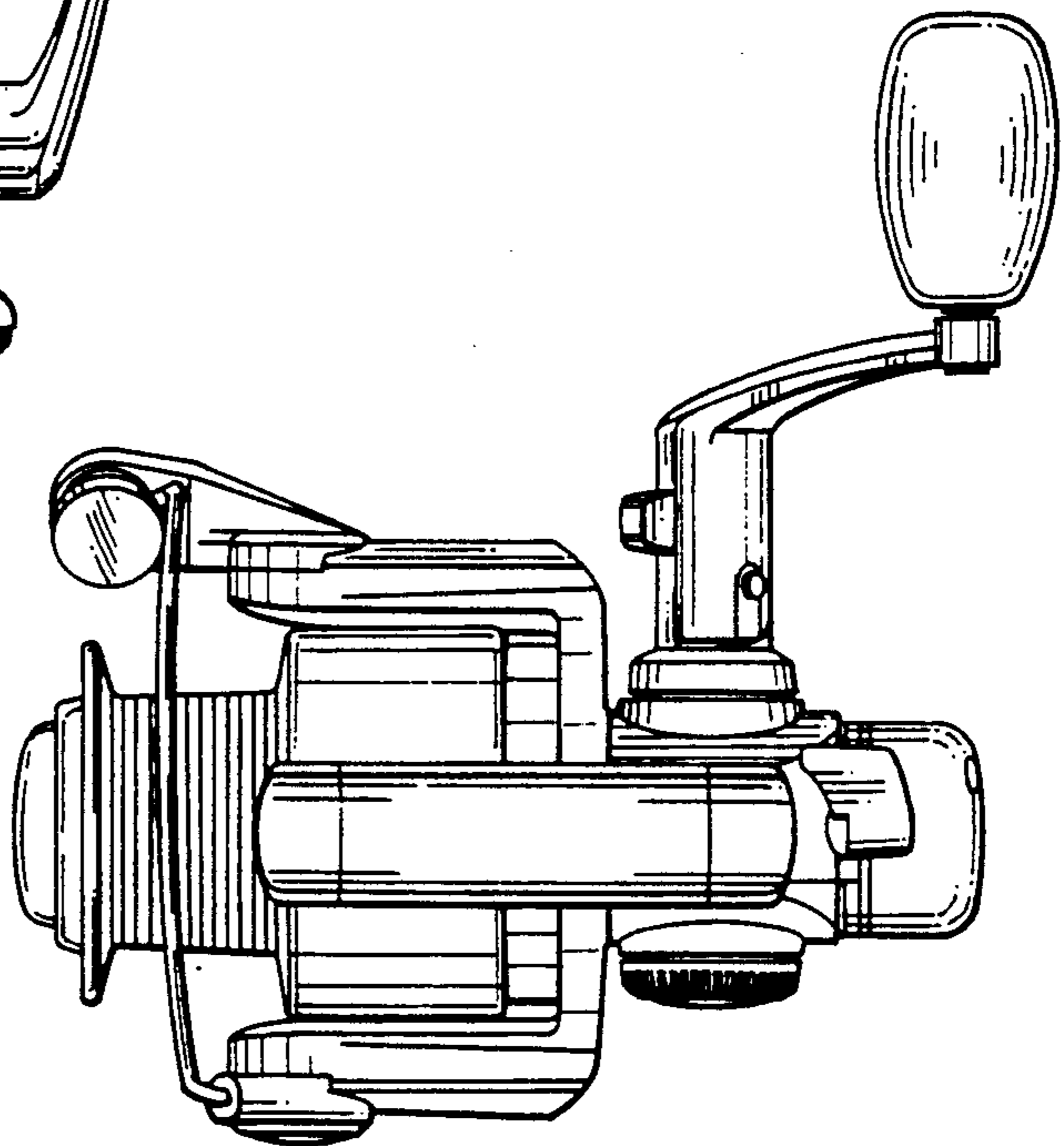


FIG. 6

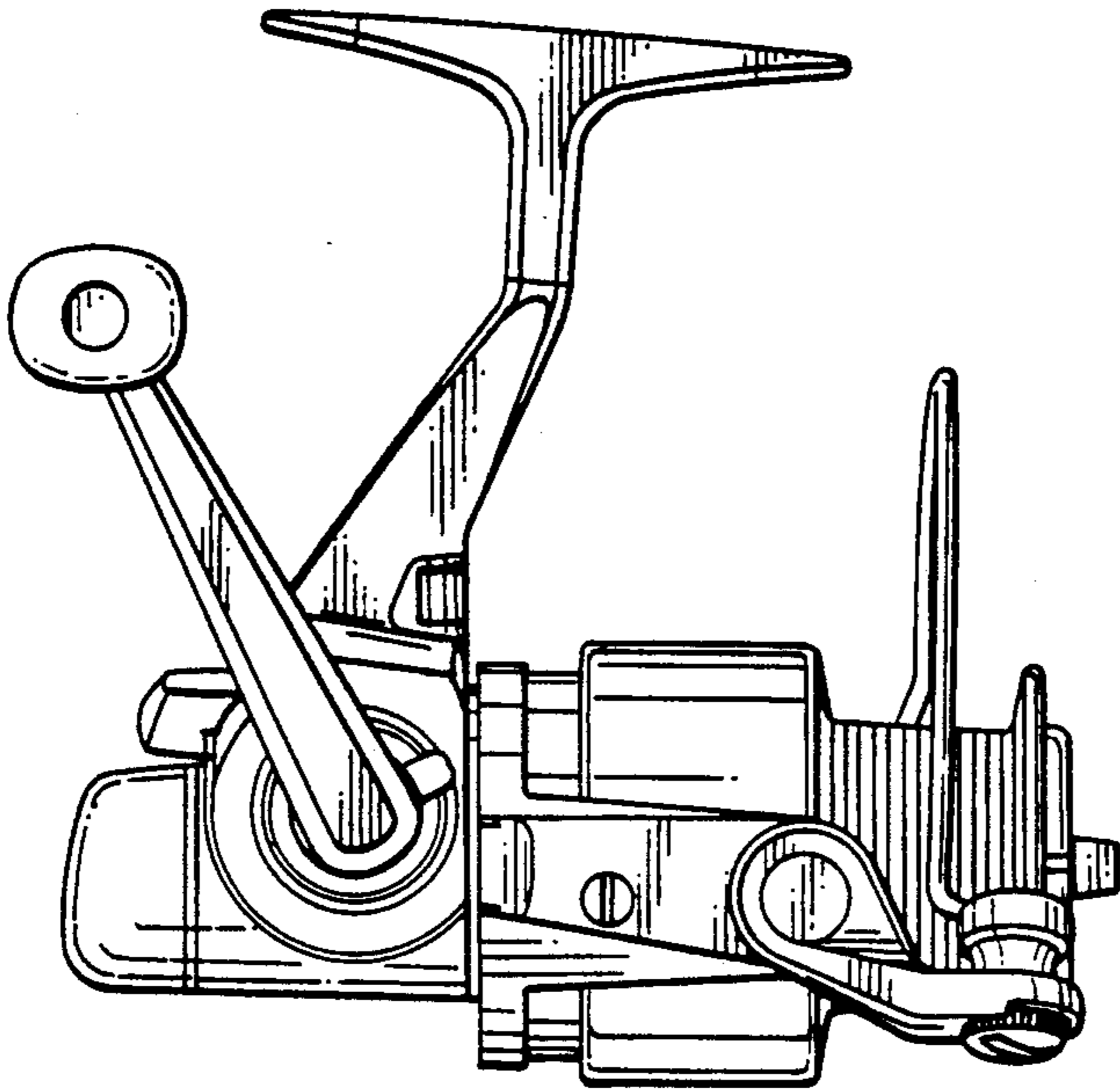


FIG. 7

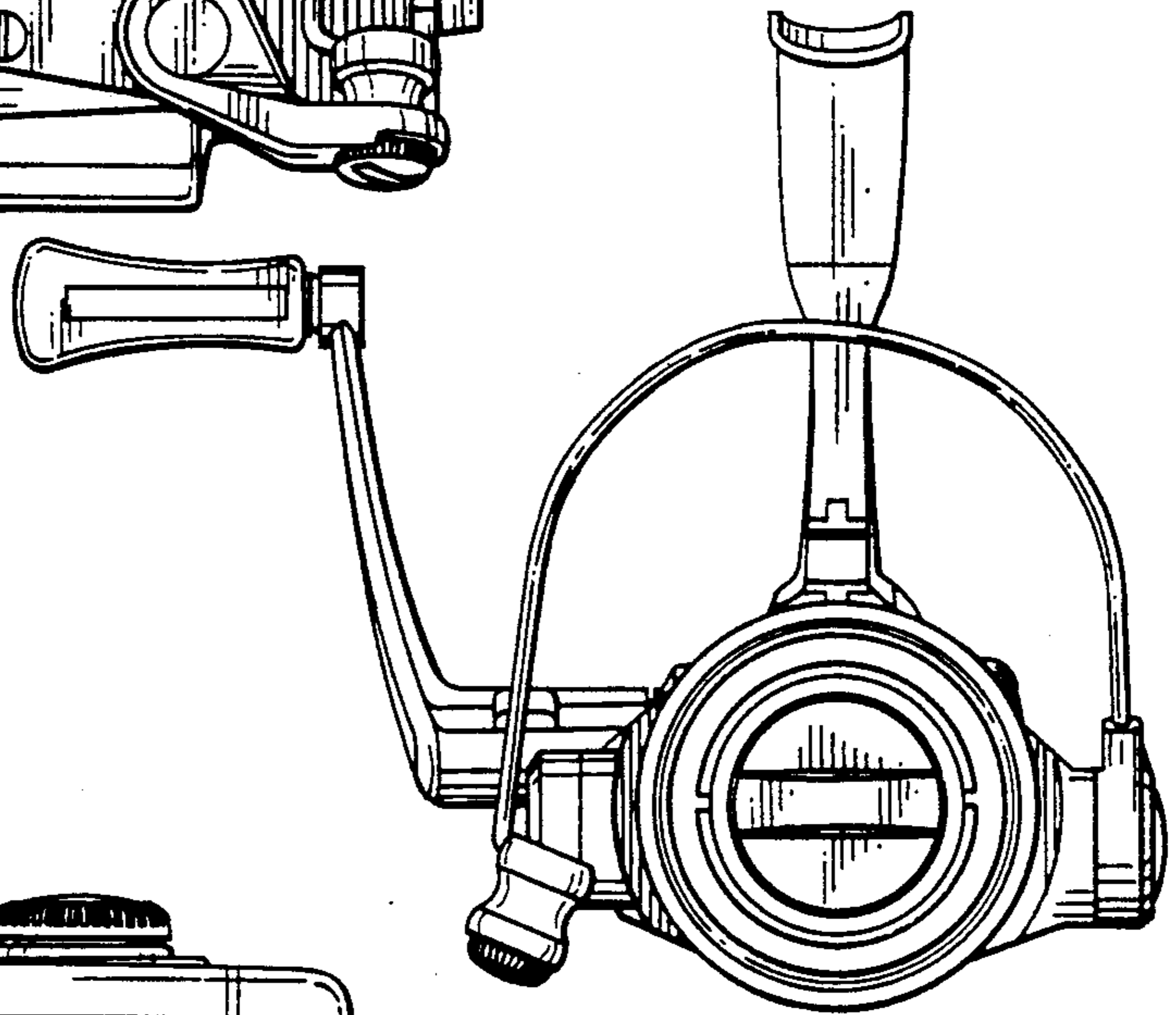


FIG. 8

