

[54] **SHOTGUN CARTRIDGE WAD OR SIMILAR ARTICLE**

4,627,356 12/1986 Buczkowski ..... 102/532 X  
 4,669,385 6/1987 Maki ..... 102/532 X  
 4,676,170 6/1987 Roster ..... 102/532 X

[75] **Inventor: William T. Cole, Cooperstown, N.Y.**

*Primary Examiner*—James R. Largen  
*Assistant Examiner*—Doris V. Coles

[73] **Assignee: Remington Arms Company, Wilmington, Del.**

[57] **CLAIM**

[\*\*] **Term: 14 Years**

The ornamental design for a shotgun cartridge wad or similar article, as shown and described.

[21] **Appl. No.: 905,060**

**DESCRIPTION**

[22] **Filed: Sep. 8, 1986**

[52] **U.S. Cl. .... D22/116**

[58] **Field of Search ..... D22/116; 102/532, 449, 102/450, 451**

FIG. 1 is a perspective view of a shotgun cartridge wad, or similar article, showing my new design;

FIG. 2 is a perspective view of the design from the opposite direction of FIG. 1.

FIG. 3 is a cross-sectional view of the design taken at section 3—3 of FIG. 5.

FIG. 4 is a cross-sectional view of the design taken at section 4—4 of FIG. 6.

FIG. 5 is a side elevational view, the opposite side being a mirror image thereof;

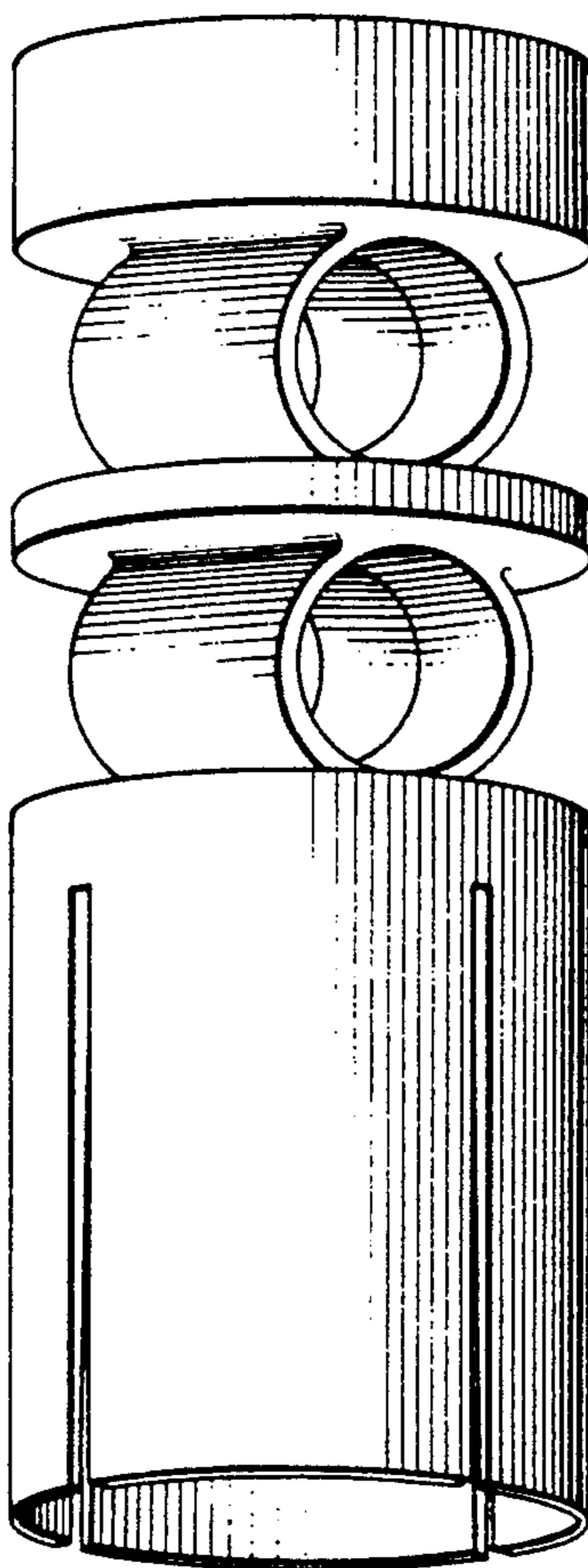
FIG. 6 is a front elevational view, the rear being a mirror image thereof; and

FIG. 7 is a top plan view thereof.

[56] **References Cited**

**U.S. PATENT DOCUMENTS**

3,215,076	11/1965	Foote et al. ....	102/42
3,299,813	1/1967	Rickey .....	102/42
3,812,784	5/1974	Herter .....	102/95
4,291,625	9/1981	Stagg, Jr. ....	102/449
4,307,664	12/1981	Vollers .....	102/450
4,574,701	3/1986	Fiocchi .....	102/451



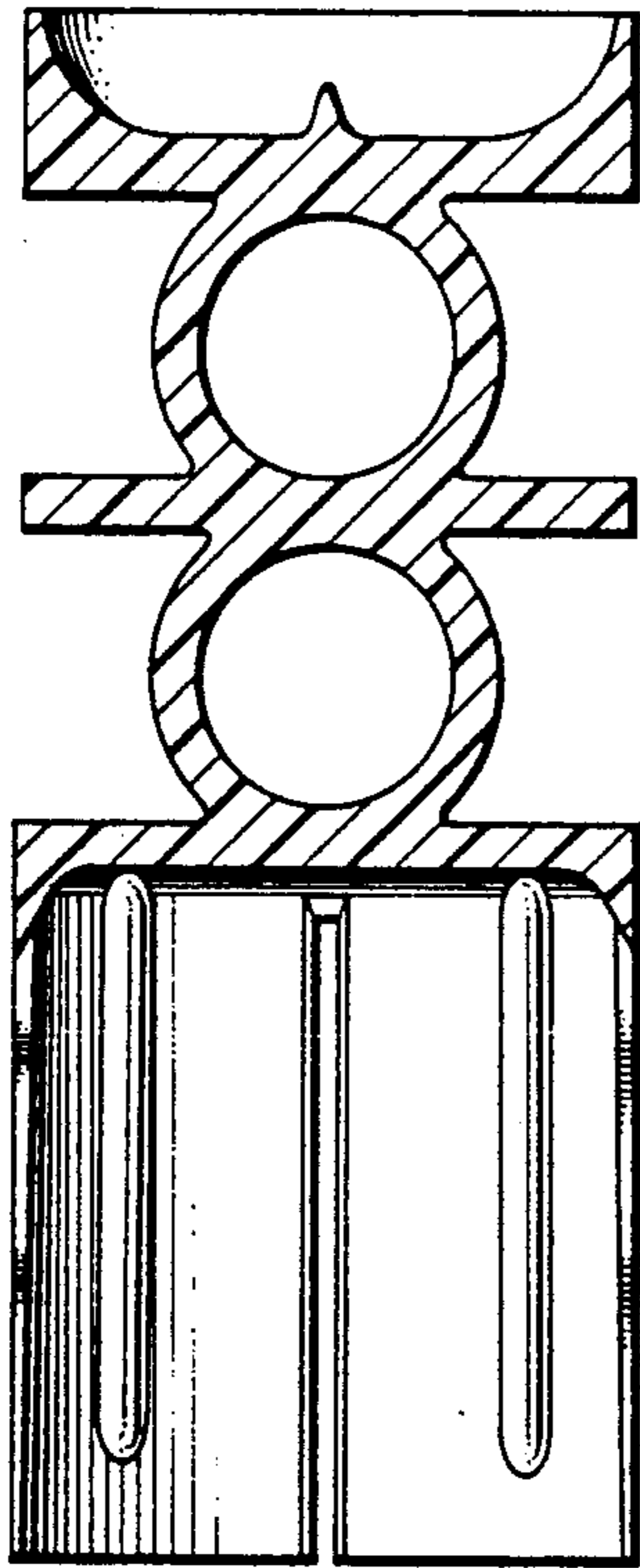


FIG. 3

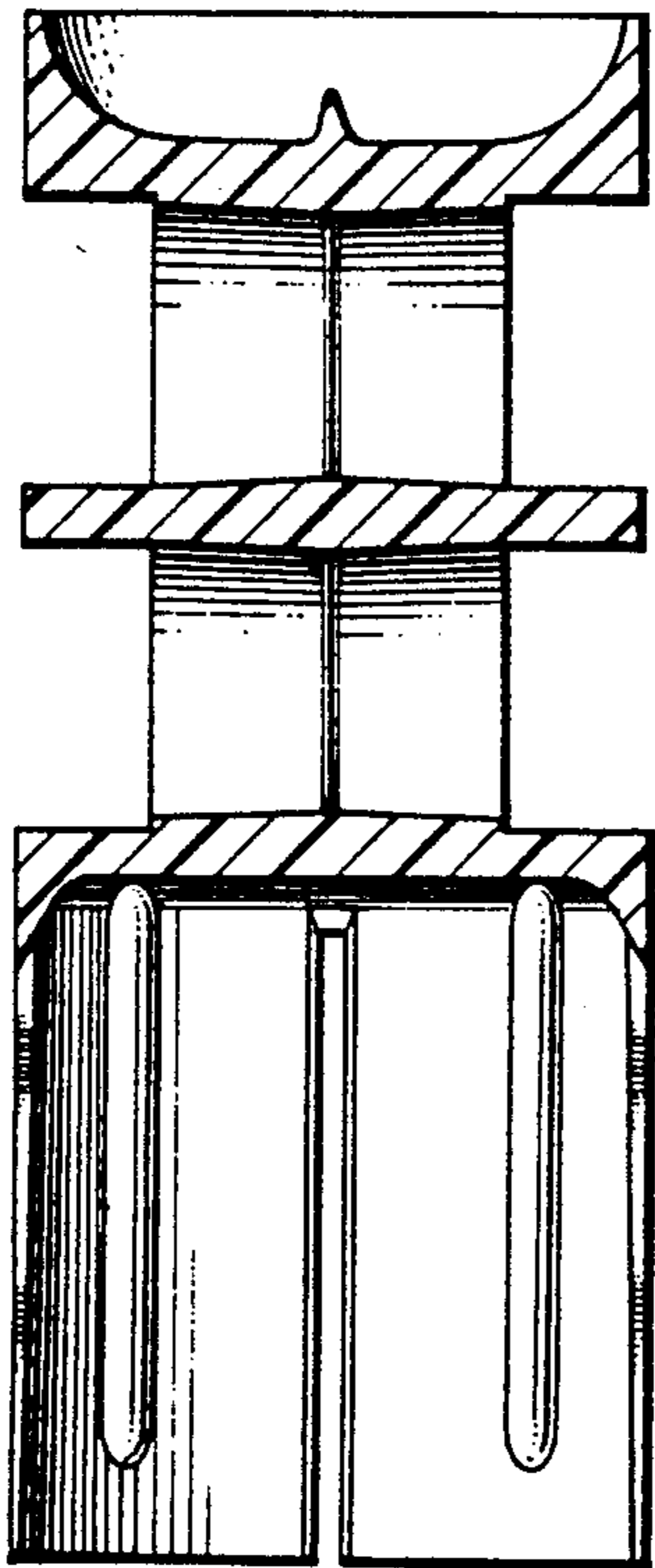


FIG. 4

FIG. 1

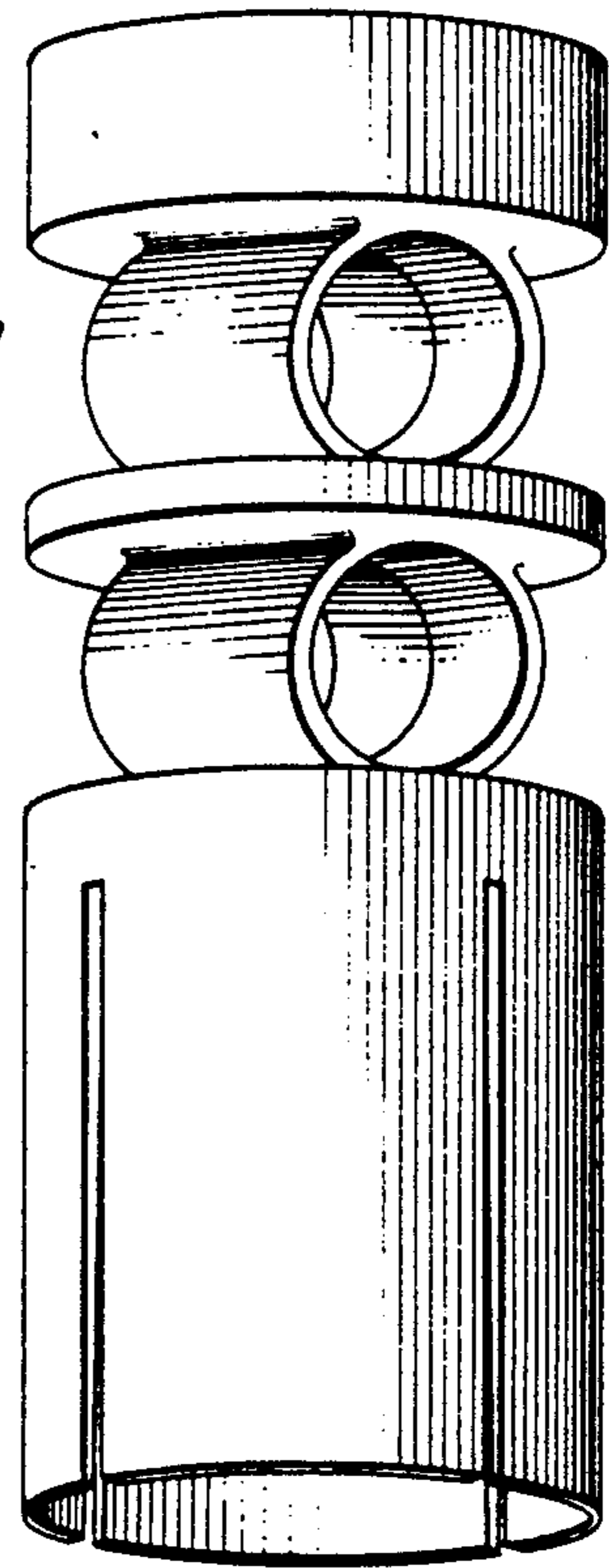
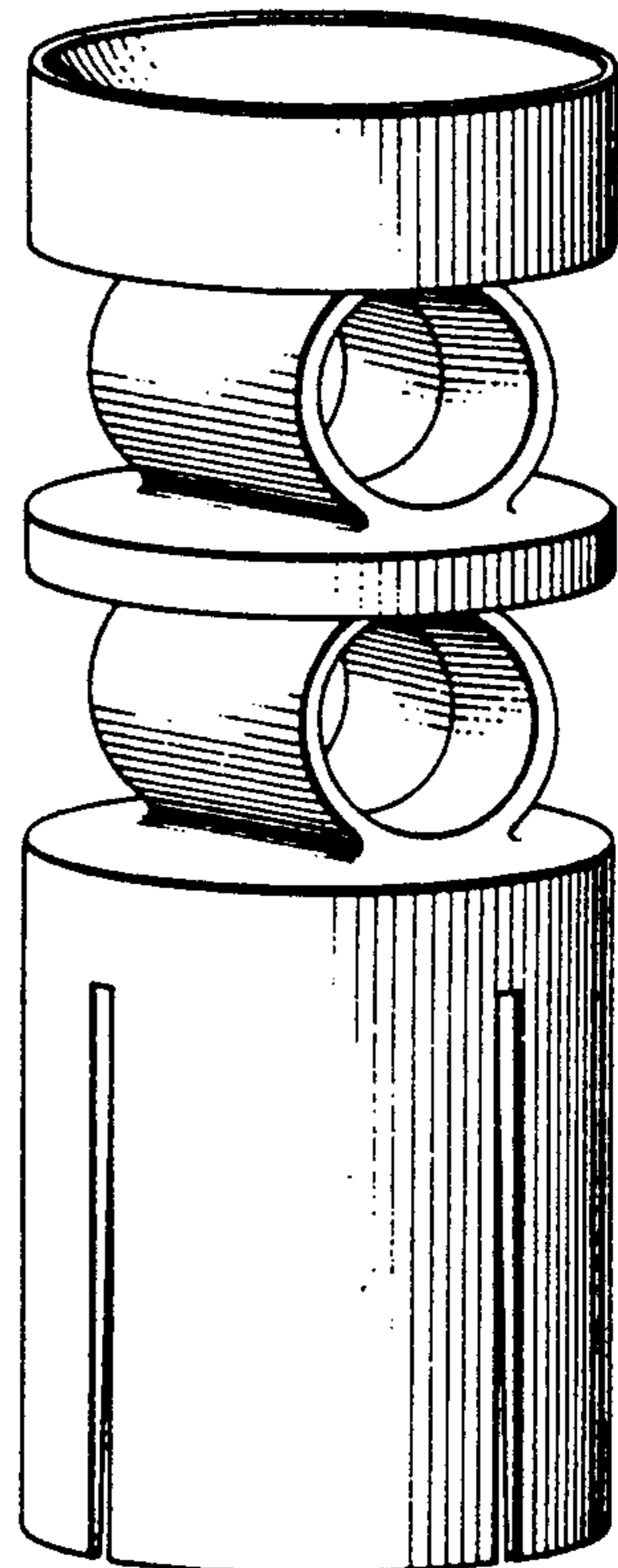


FIG. 2



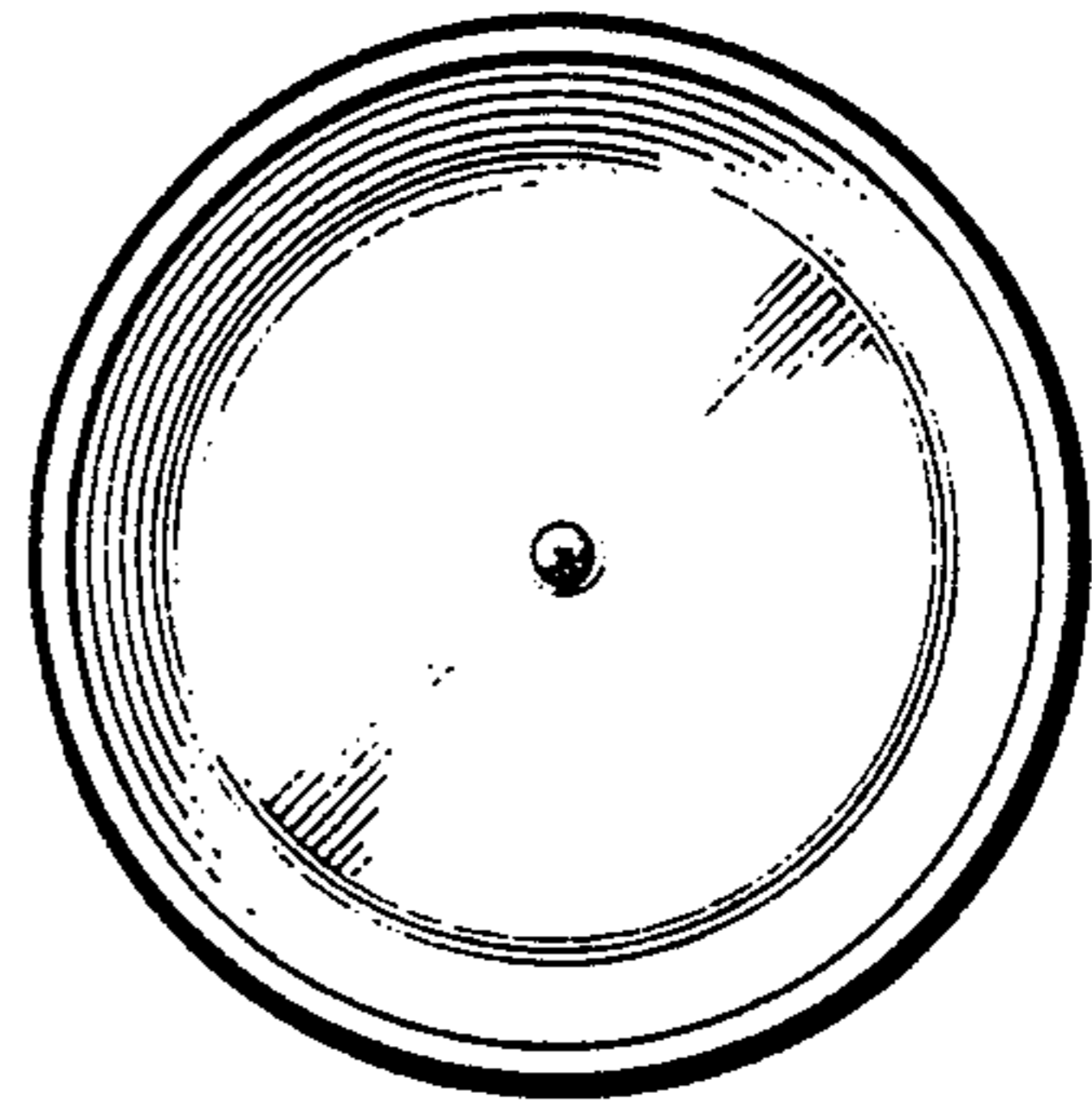


FIG. 7

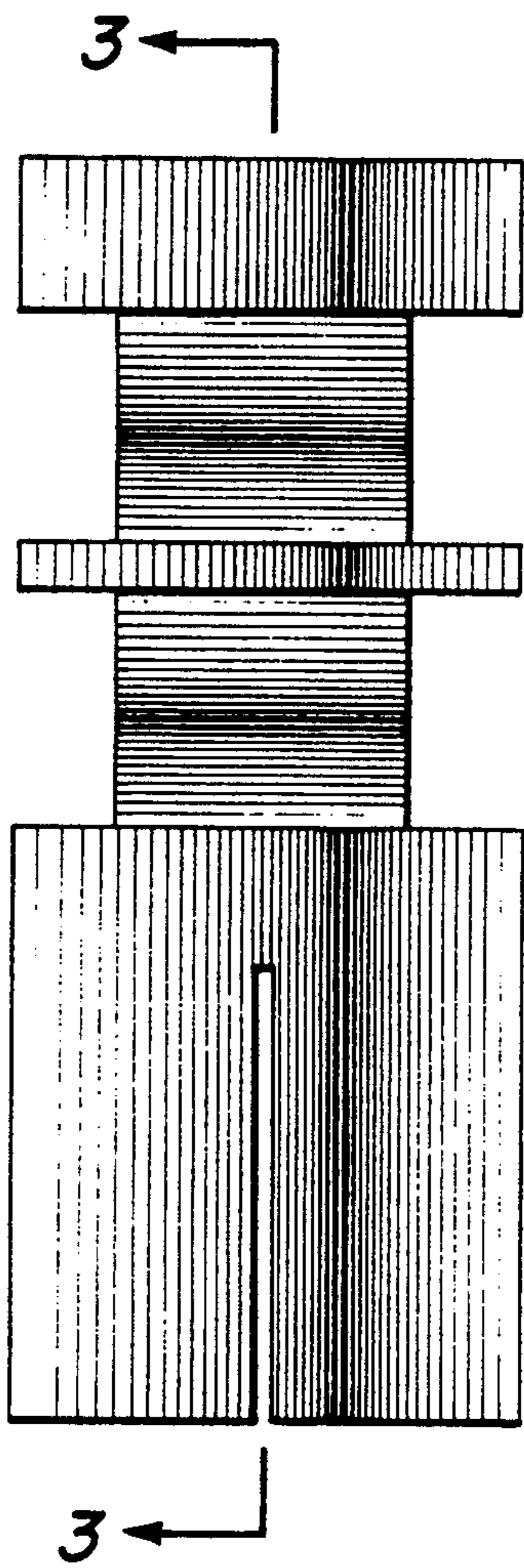


FIG. 5

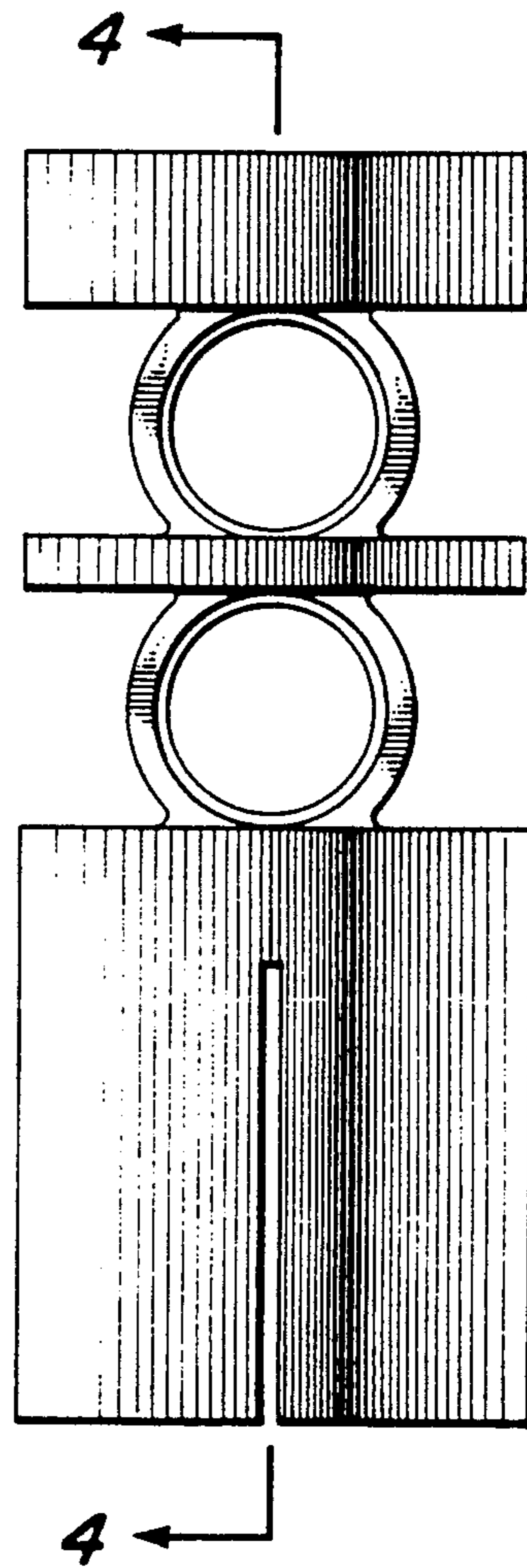


FIG. 6