

[54] GOLF PUTTER HEAD OR SIMILAR ARTICLE

[76] Inventor: Richard F. Warner, 28999 Gates Mills Blvd., Pepper Pike, Ohio 44124

[**] Term: 14 Years

[21] Appl. No.: 101,993

[22] Filed: Sep. 28, 1987

[52] U.S. Cl. D21/218

[58] Field of Search D21/214-220; 273/163 R, 164, 167-175

[56] References Cited

U.S. PATENT DOCUMENTS

- D. 228,003 7/1973 Warner .
- D. 237,289 10/1975 Calton D21/217
- 4,605,228 8/1986 Guendling 273/167 A

OTHER PUBLICATIONS

Golf Digest, Dec. 1970, p. 90, center, Golfco Ring Rite Putter.

Primary Examiner—Melvin B. Feifer
Attorney, Agent, or Firm—Calfee, Halter & Griswold

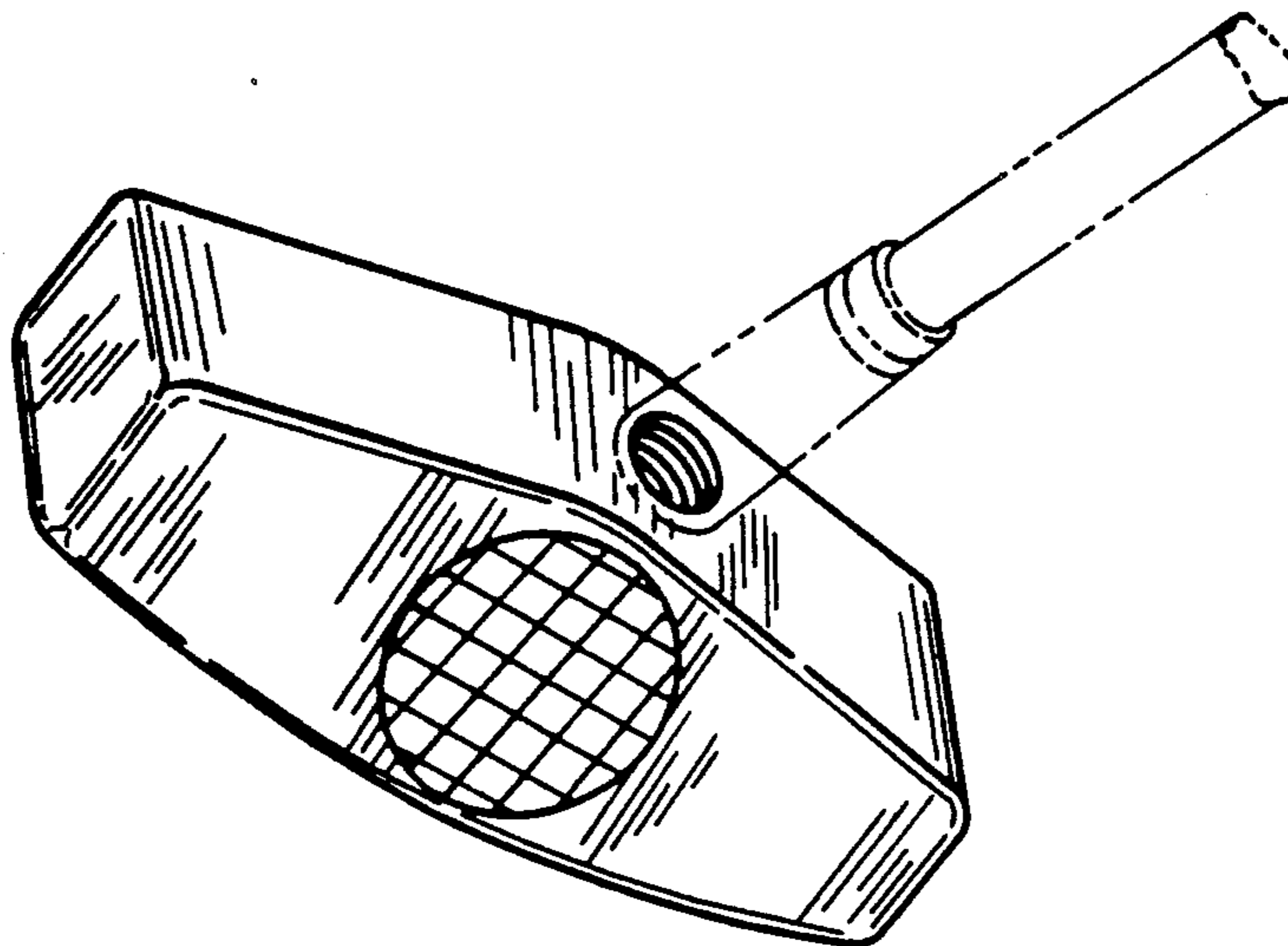
[57] CLAIM

The ornamental design for a golf putter head or similar article, as shown and described.

DESCRIPTION

FIG. 1 is a perspective view of a golf putter head or similar article showing my new design; FIG. 2 is a top plan view thereof; FIG. 3 is a front elevational view thereof; FIG. 4 is a bottom plan view thereof; FIG. 5 is a left end view thereof; and FIG. 6 is a right end view thereof.

The broken line showing of a shaft segment is for illustrative purposes only and the center of the face of the head is lined to indicate contrasting color.



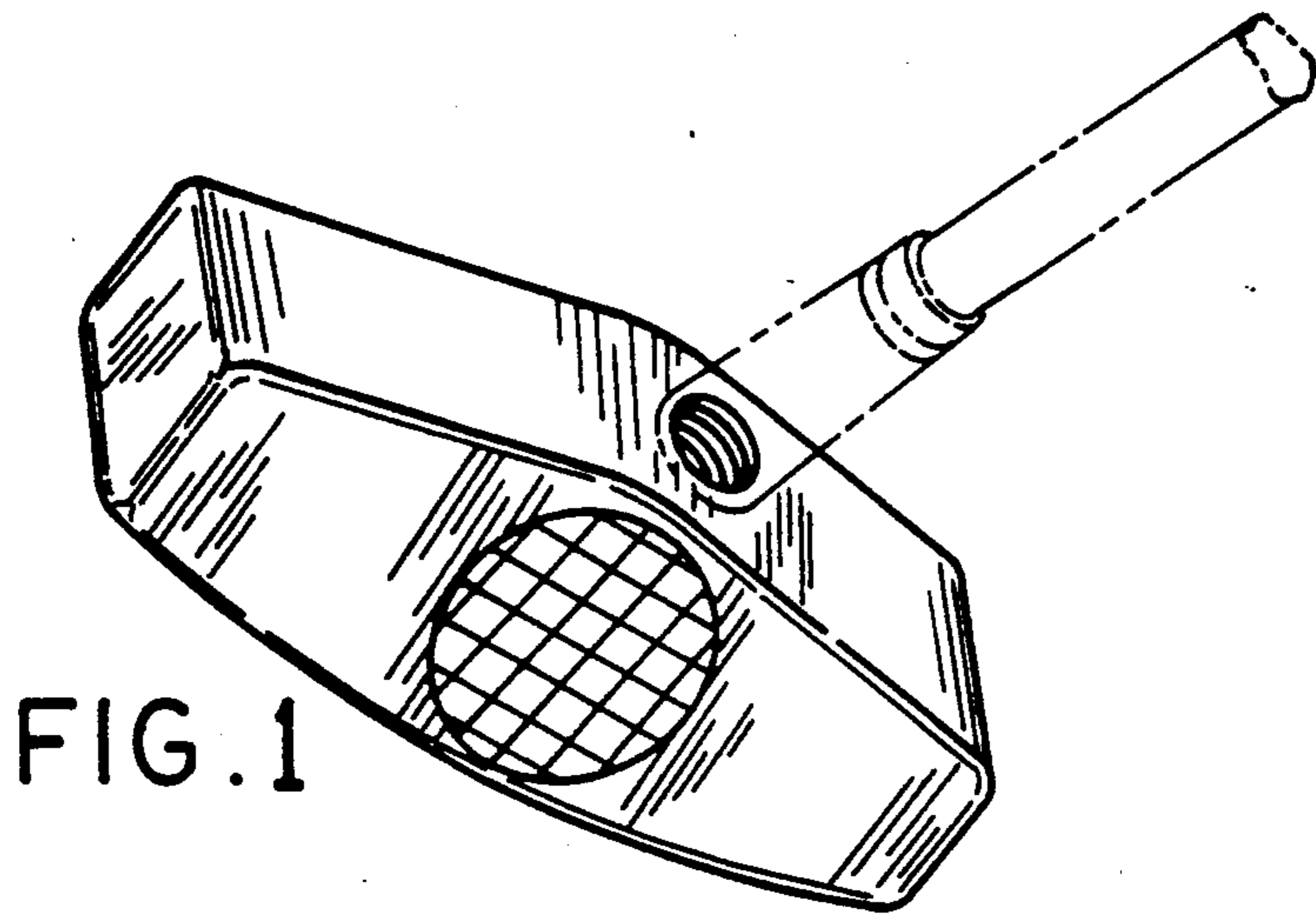


FIG. 1

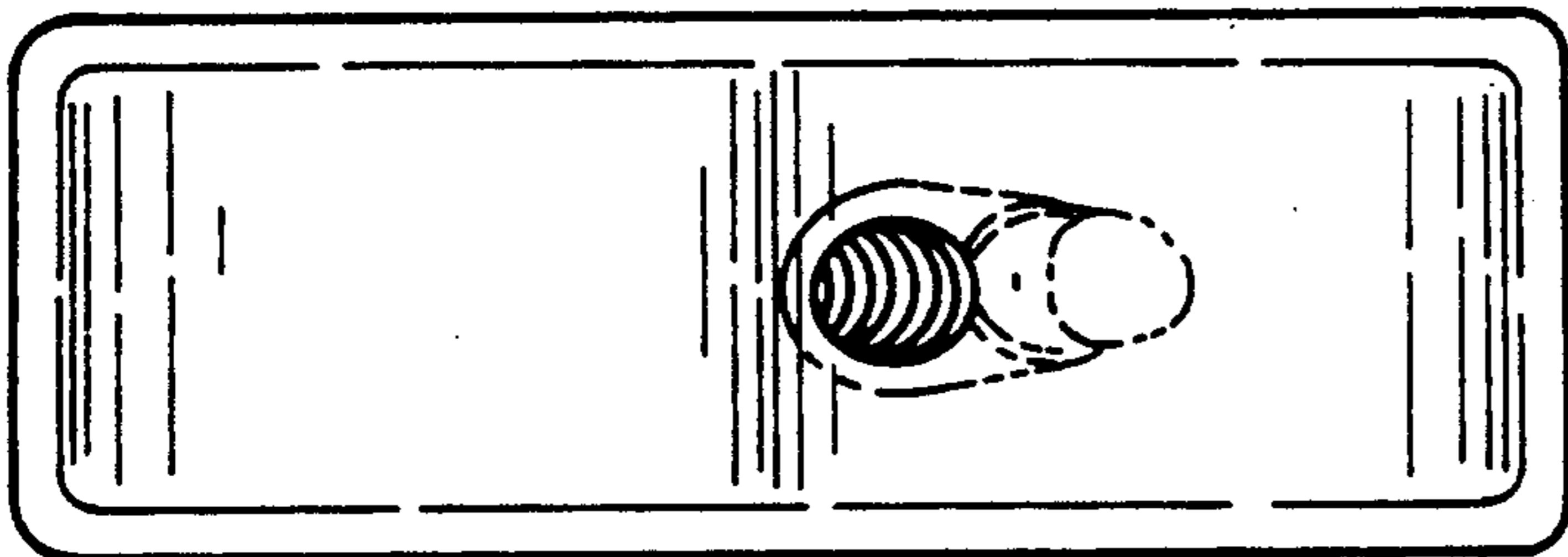


FIG. 2

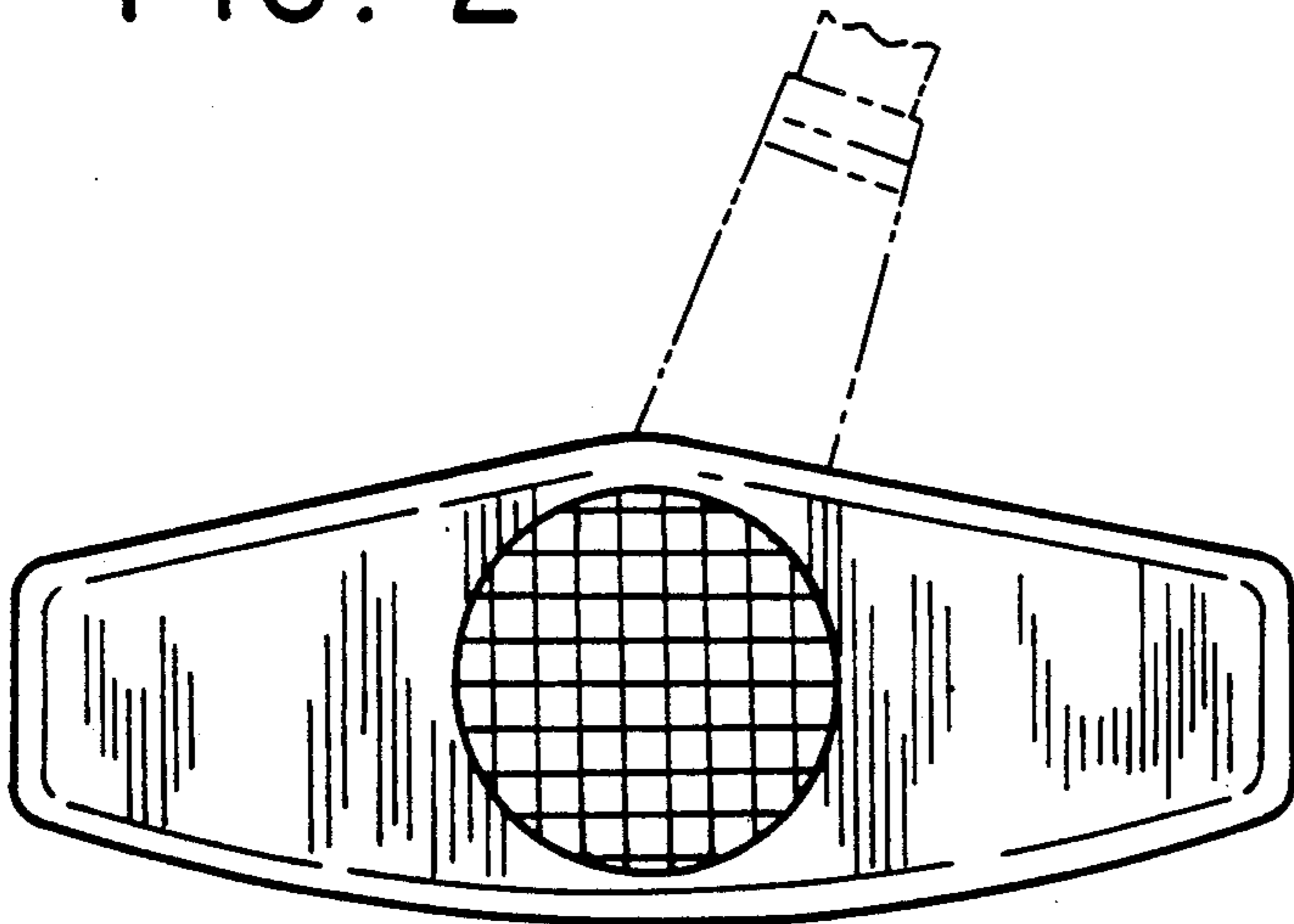


FIG. 3

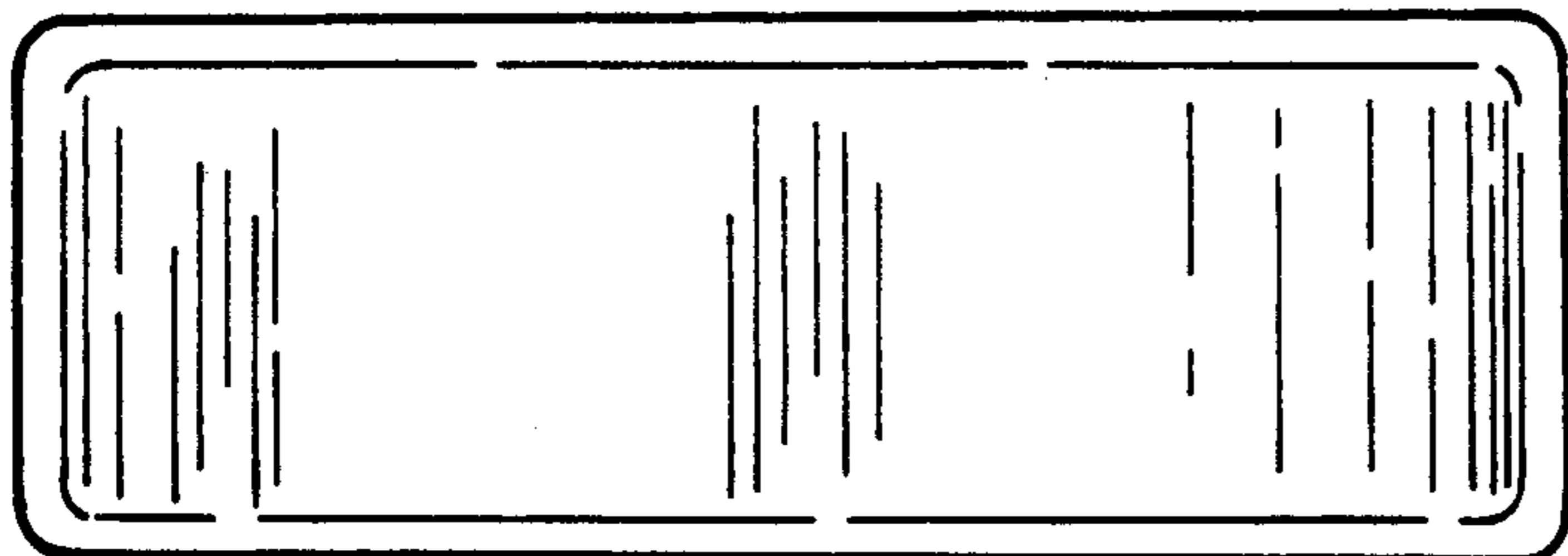


FIG. 4

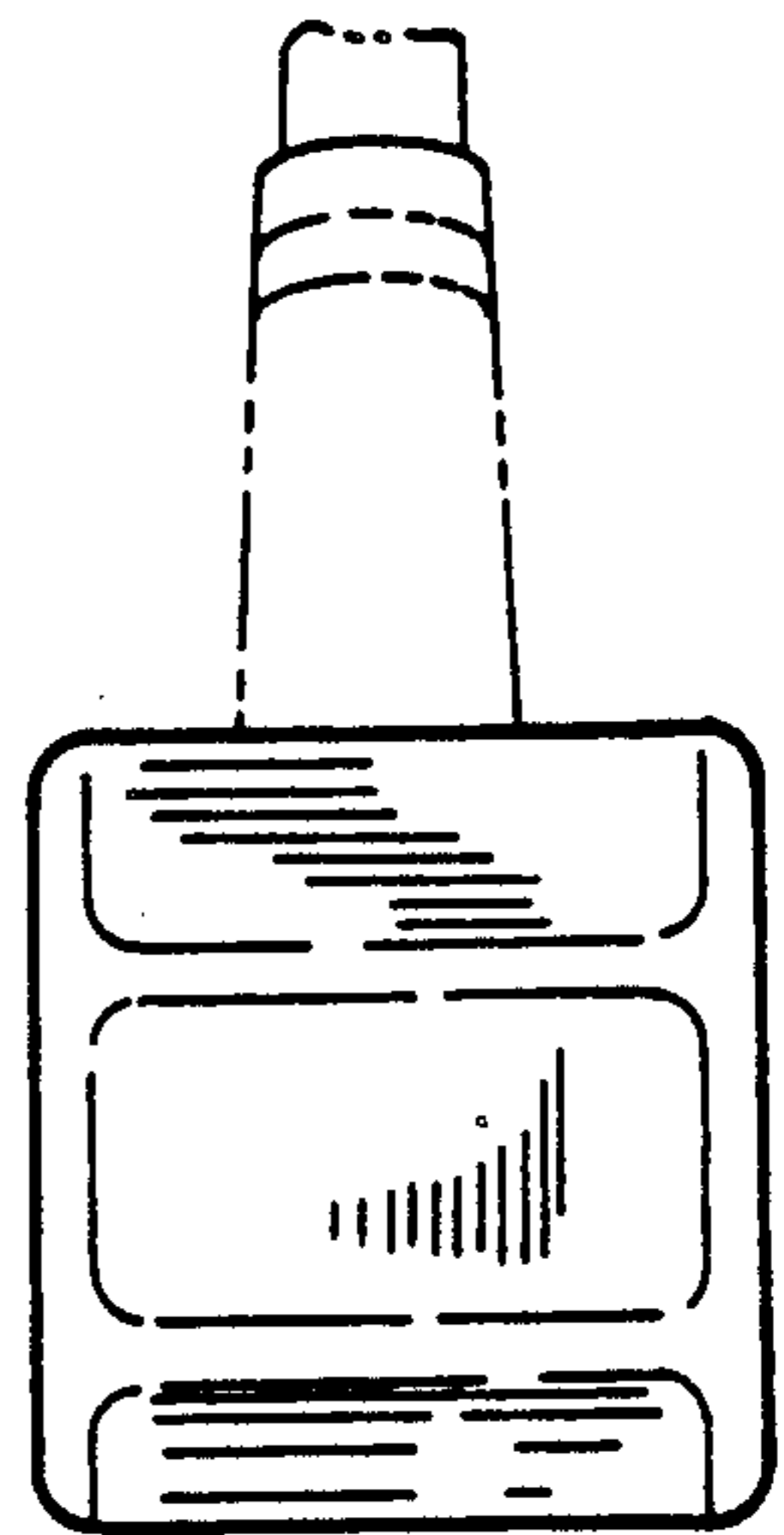


FIG. 5

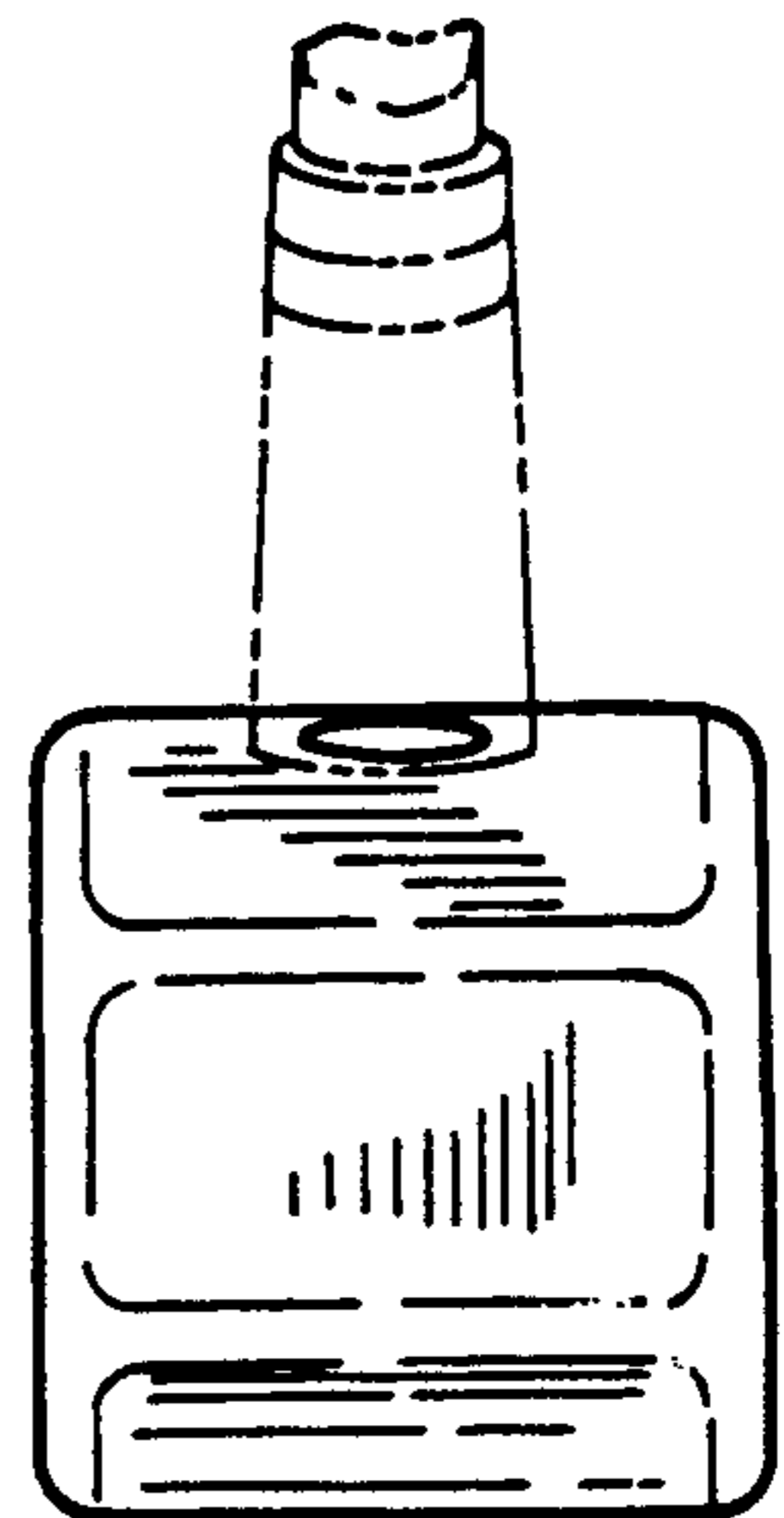


FIG. 6