

[54] SECURITY SYSTEM DEMONSTRATOR

[76] Inventor: Shih-Ming Hwang, 17811 Sky Park Circle, Suite D & E, Irvine, Calif. 92714

[**] Term: 14 Years

[21] Appl. No.: 286,490

[22] Filed: Dec. 19, 1988

[52] U.S. Cl. D19/62; D10/106

[58] Field of Search D10/106, 104, 121; D21/136; D12/91; 340/500, 506, 540, 541, 546, 539, 365 R; D19/62, 64

[56] References Cited

U.S. PATENT DOCUMENTS

- D. 251,419 3/1979 Coombs D12/91
- D. 283,495 4/1986 Wavre D10/106

3,864,848 2/1975 Smith D19/62

Primary Examiner—Wallace R. Burke
Assistant Examiner—Marcus Jackson
Attorney, Agent, or Firm—Weissenberger & Peterson

[57] CLAIM

The ornamental design for a security system demonstrator, as shown and described.

DESCRIPTION

FIG. 1 is a front elevational view of a security system demonstrator showing my new design; FIG. 2 is a rear elevational view thereof; FIG. 3 is a right side elevational view thereof; FIG. 4 is a left side elevational view thereof; FIG. 5 is a top plan view thereof; FIG. 6 is a bottom plan view thereof; FIG. 7 is a perspective view thereof with the door, trunk and hood open and the ignition key inserted.

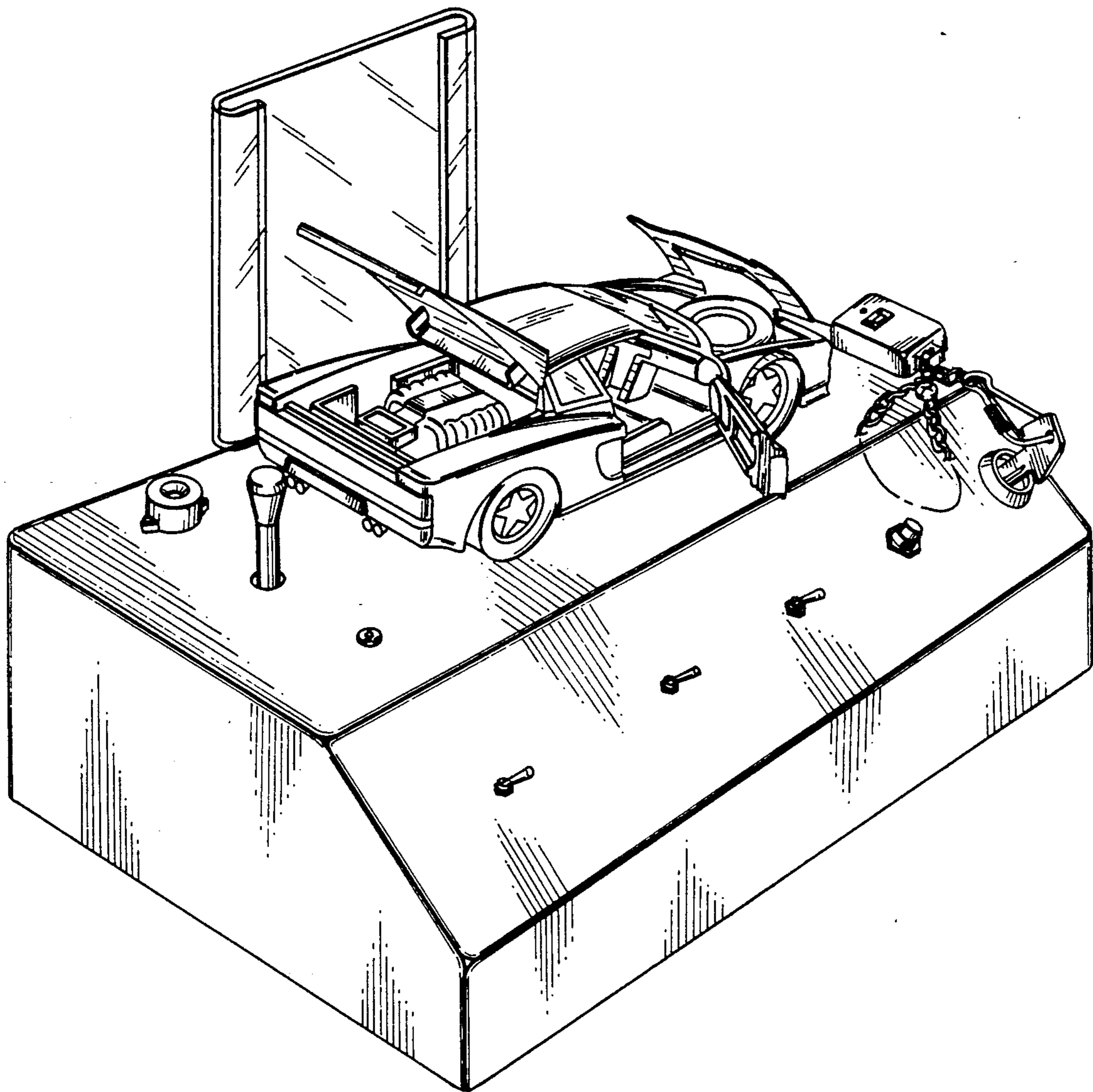


FIG. 1

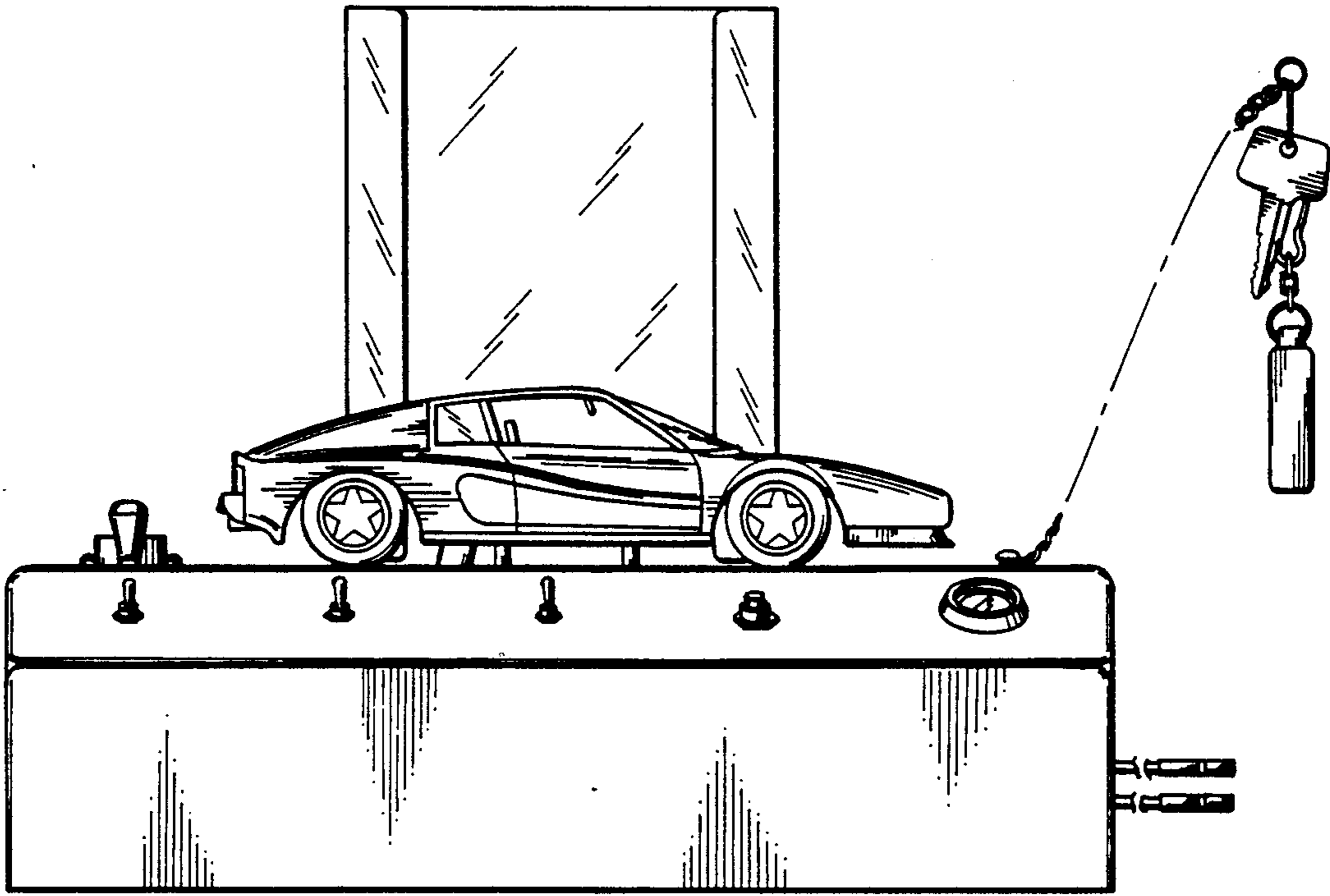
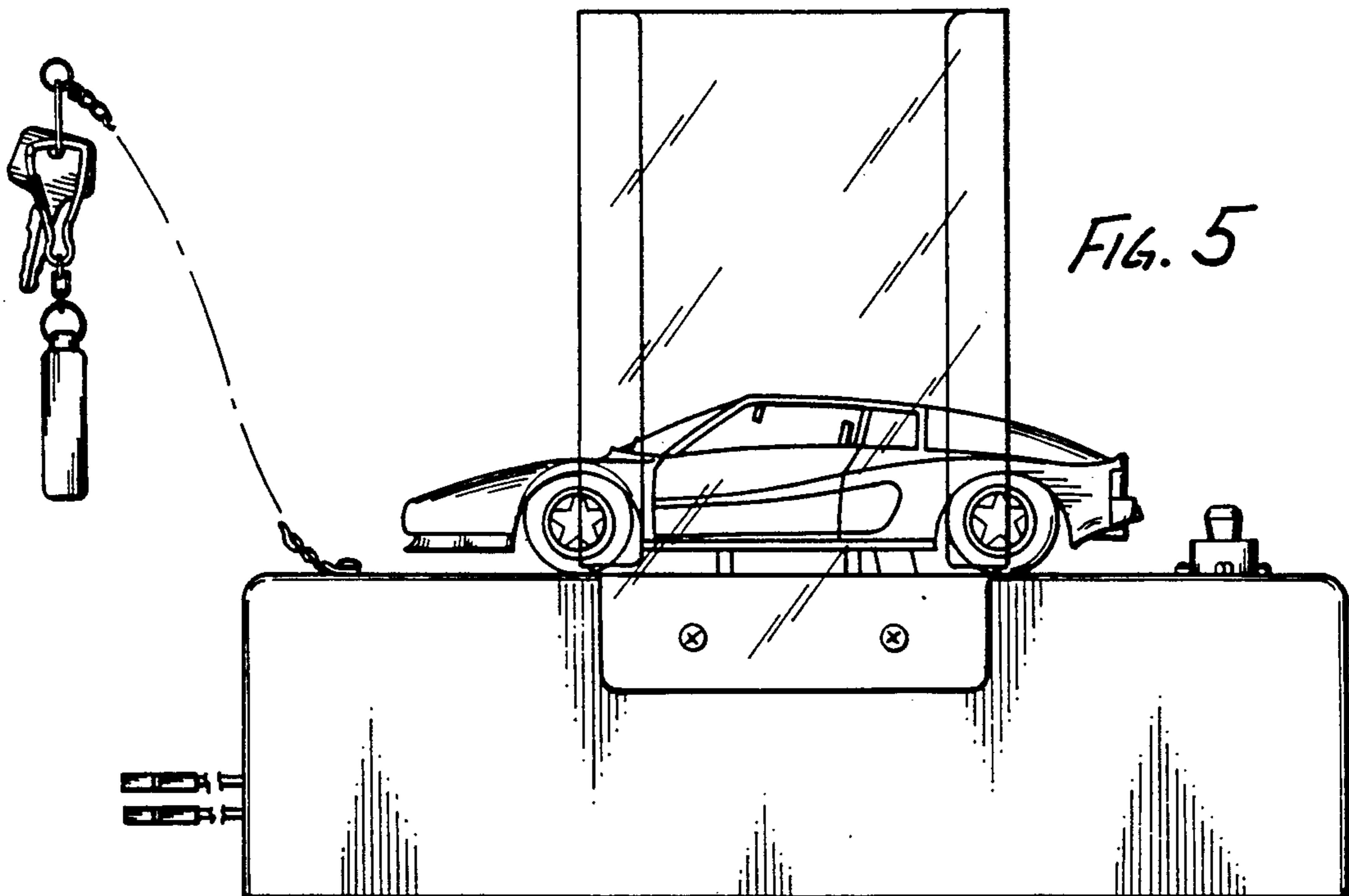


FIG. 5



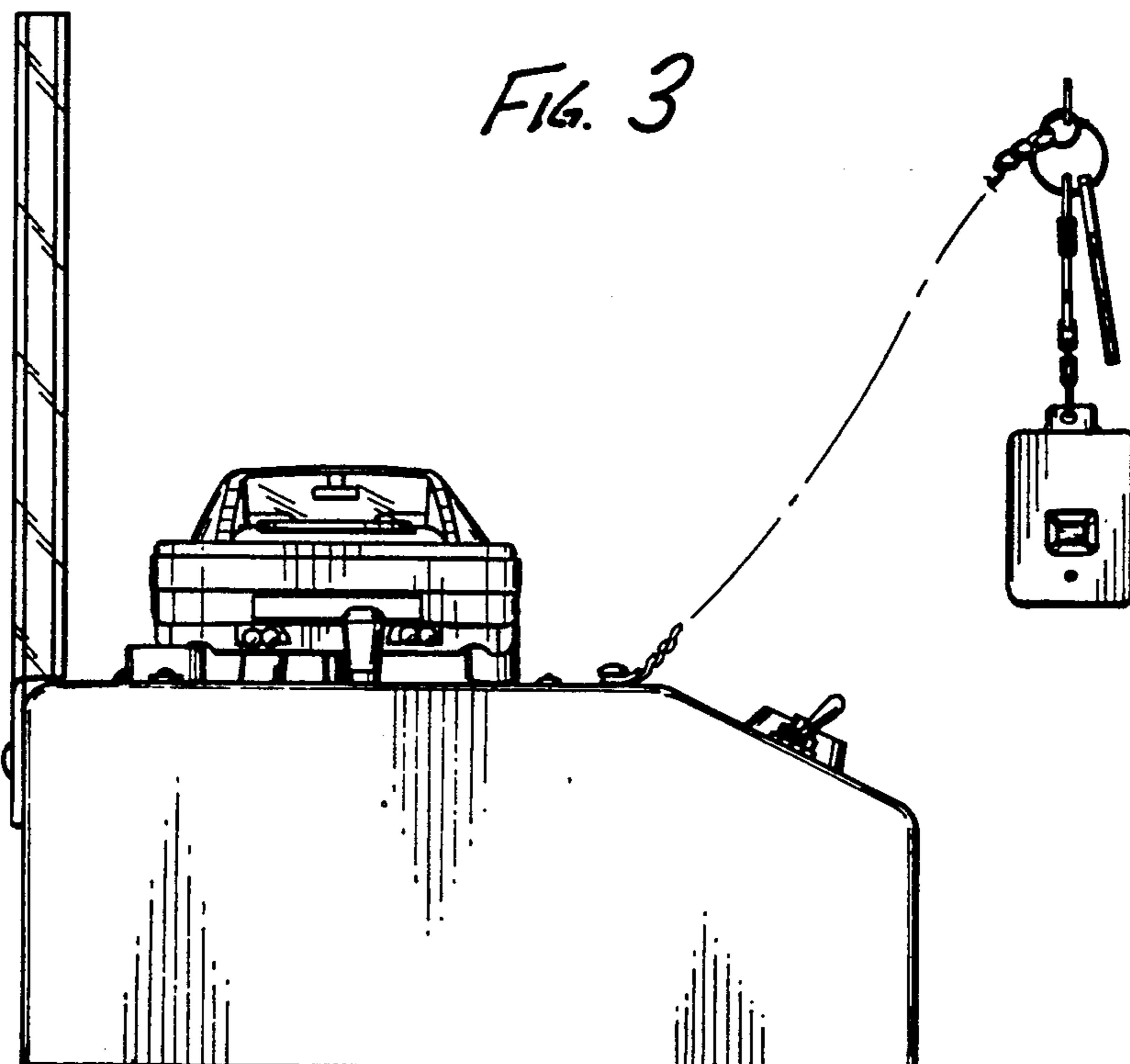
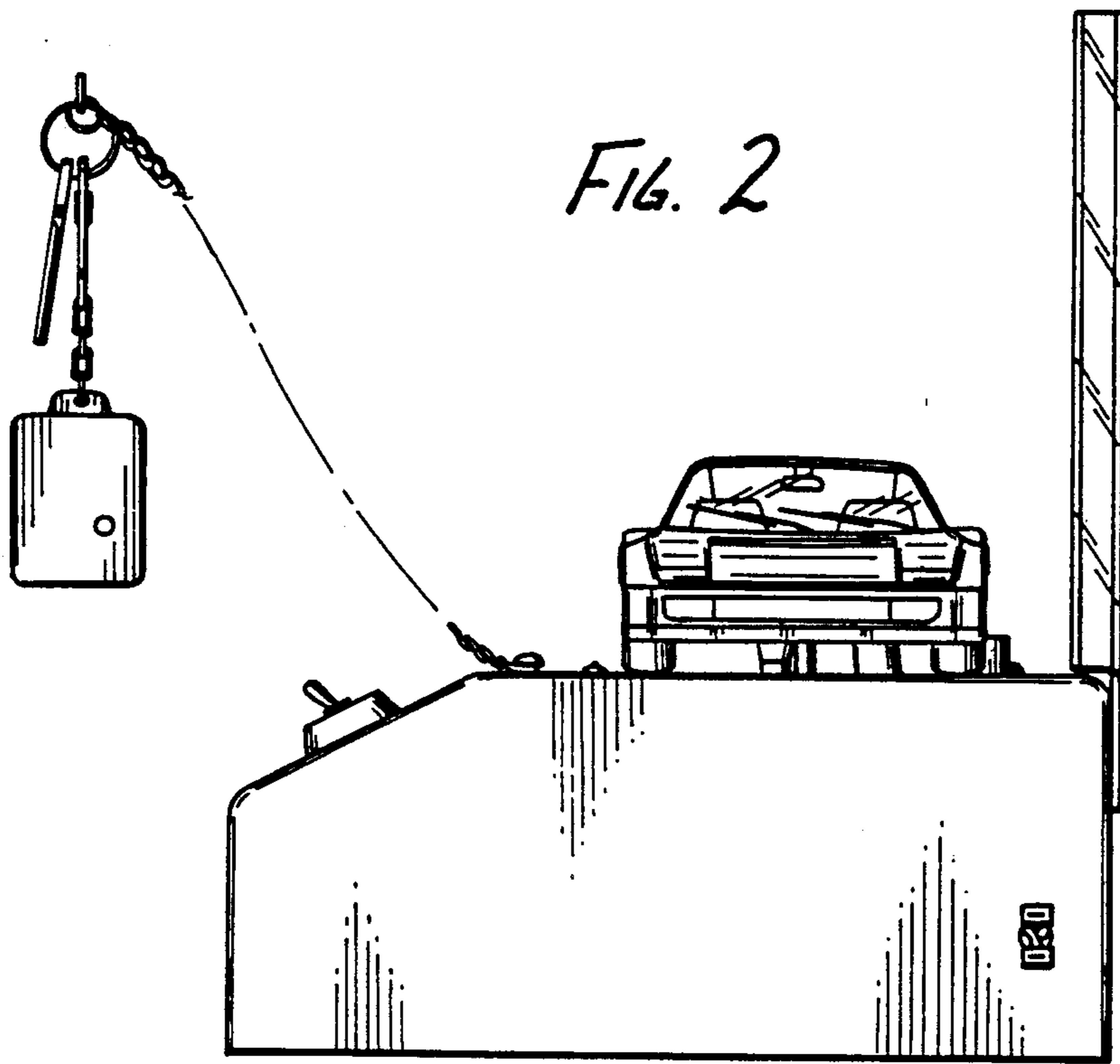


FIG. 4

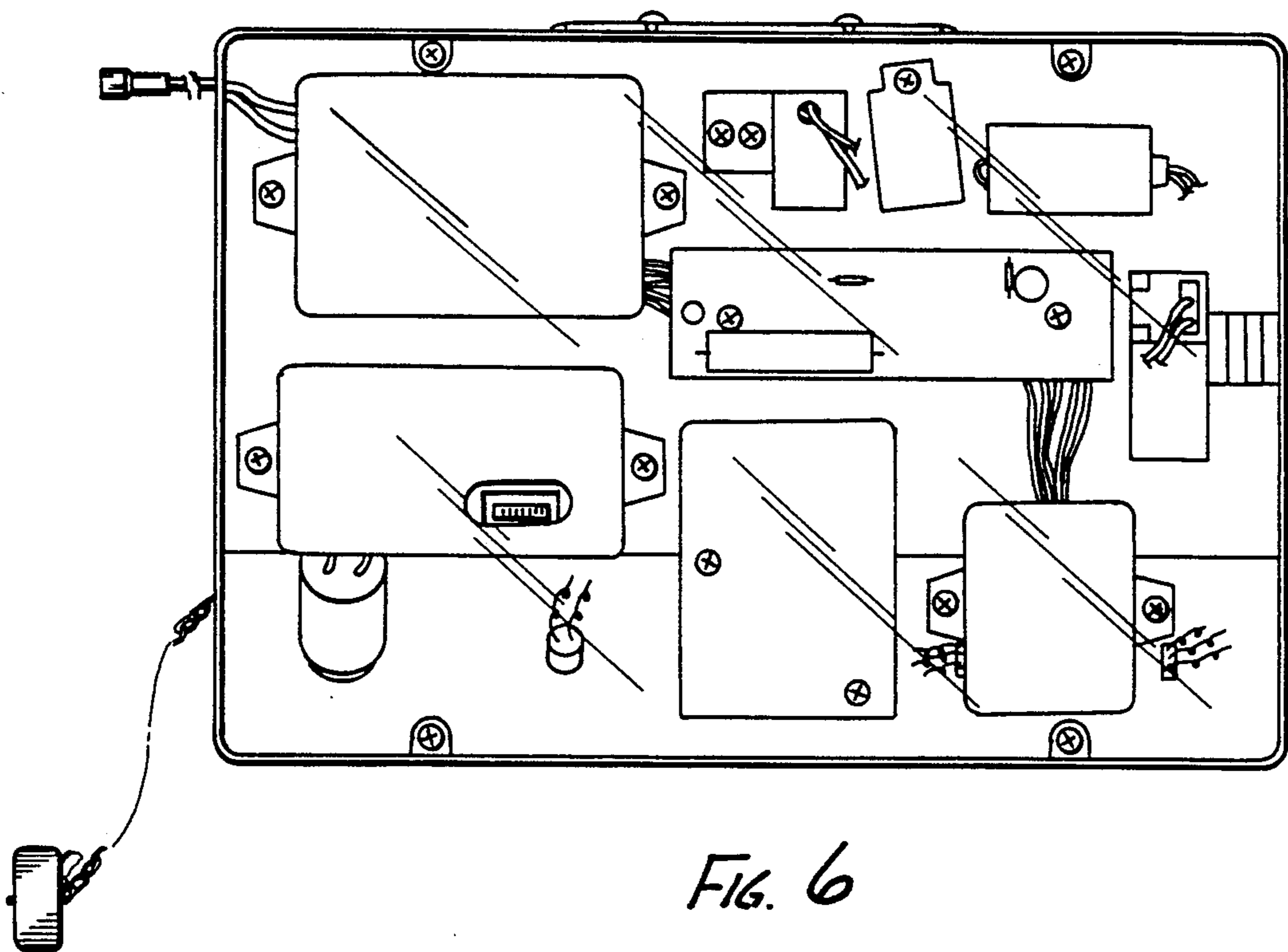
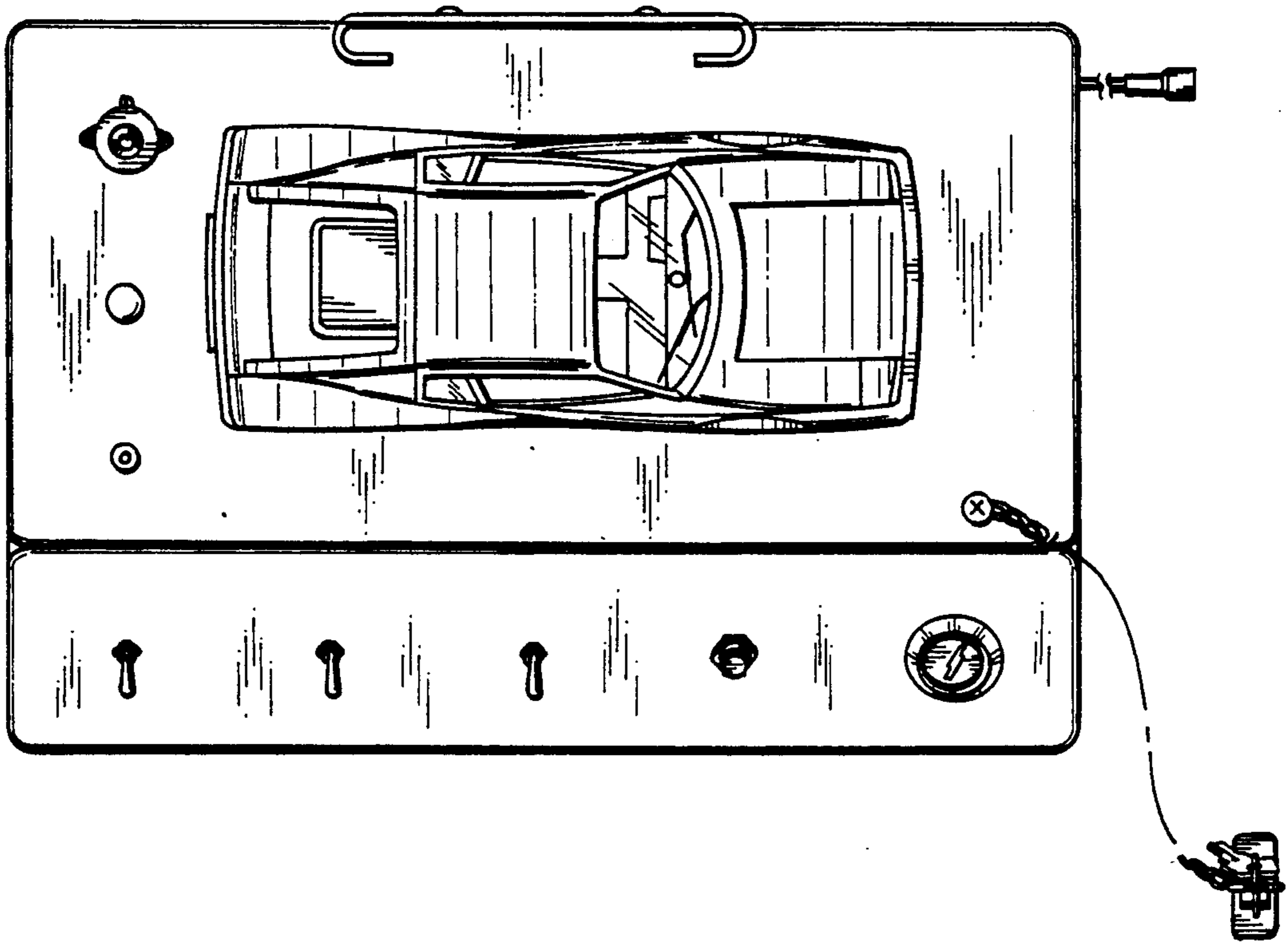


FIG. 6

