

[54] **MICROFILM CAMERA**

[75] **Inventor: David R. Gotham, Rochester, N.Y.**

[73] **Assignee: Eastman Kodak Company,  
Rochester, N.Y.**

[\*\*] **Term: 14 Years**

[21] **Appl. No.: 196,638**

[22] **Filed: May 20, 1988**

[52] **U.S. Cl. .... D18/36**

[58] **Field of Search ..... D18/36-39;  
D14/100, 102; D16/223; 355/64, 233, 271**

[56] **References Cited**

**U.S. PATENT DOCUMENTS**

D. 212,509 10/1968 Bravo ..... D18/39  
D. 224,844 9/1972 Muchenberger ..... D18/39

D. 305,241 12/1989 Fukuda et al. .... D16/223  
3,379,106 4/1968 Hewes et al. .... D18/38 X  
3,759,611 9/1973 O'Connell et al. .... D16/223 X

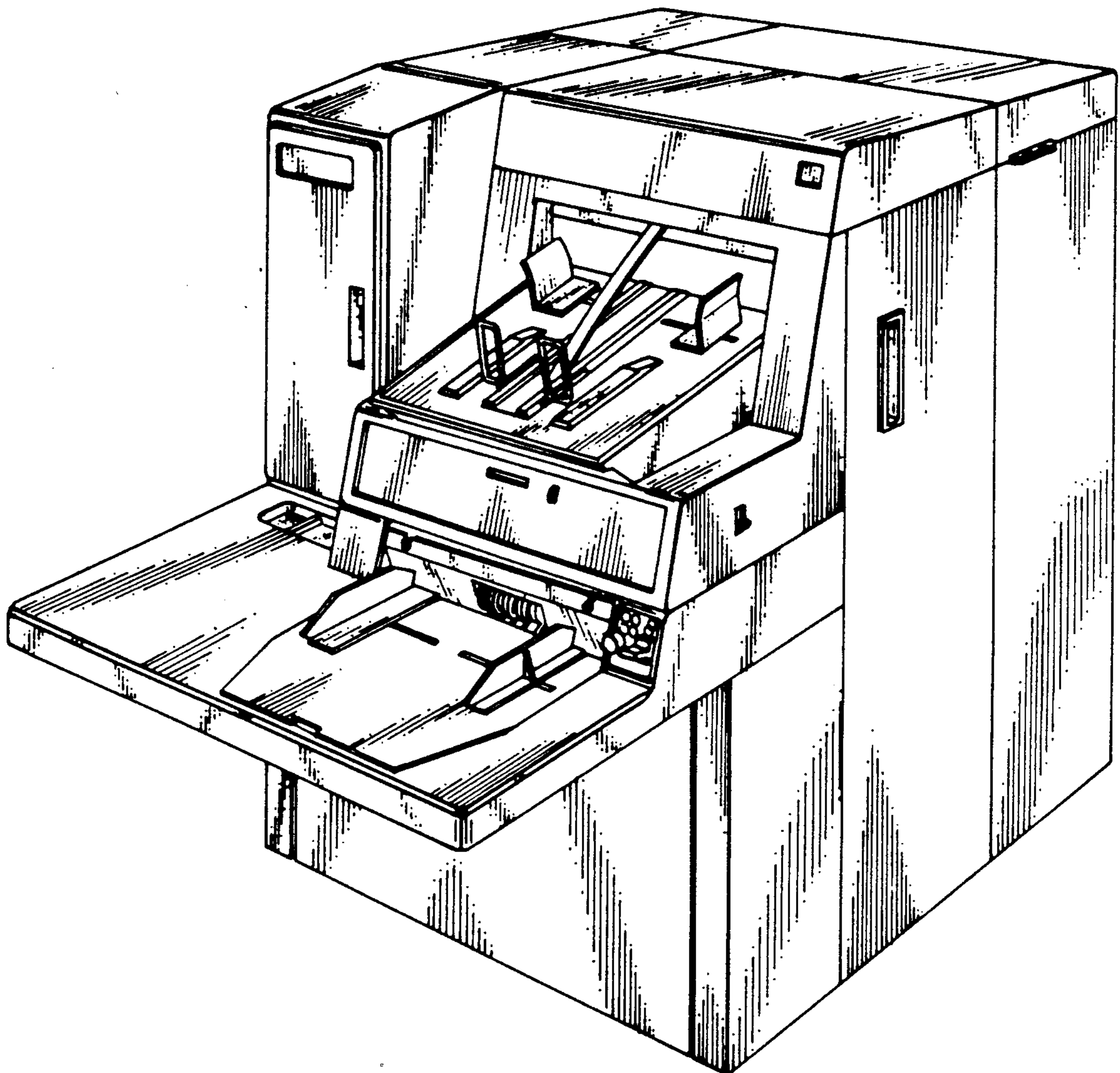
*Primary Examiner—Nelson C. Holtje  
Assistant Examiner—Caron D. Veynar  
Attorney, Agent, or Firm—Dennis R. Arndt*

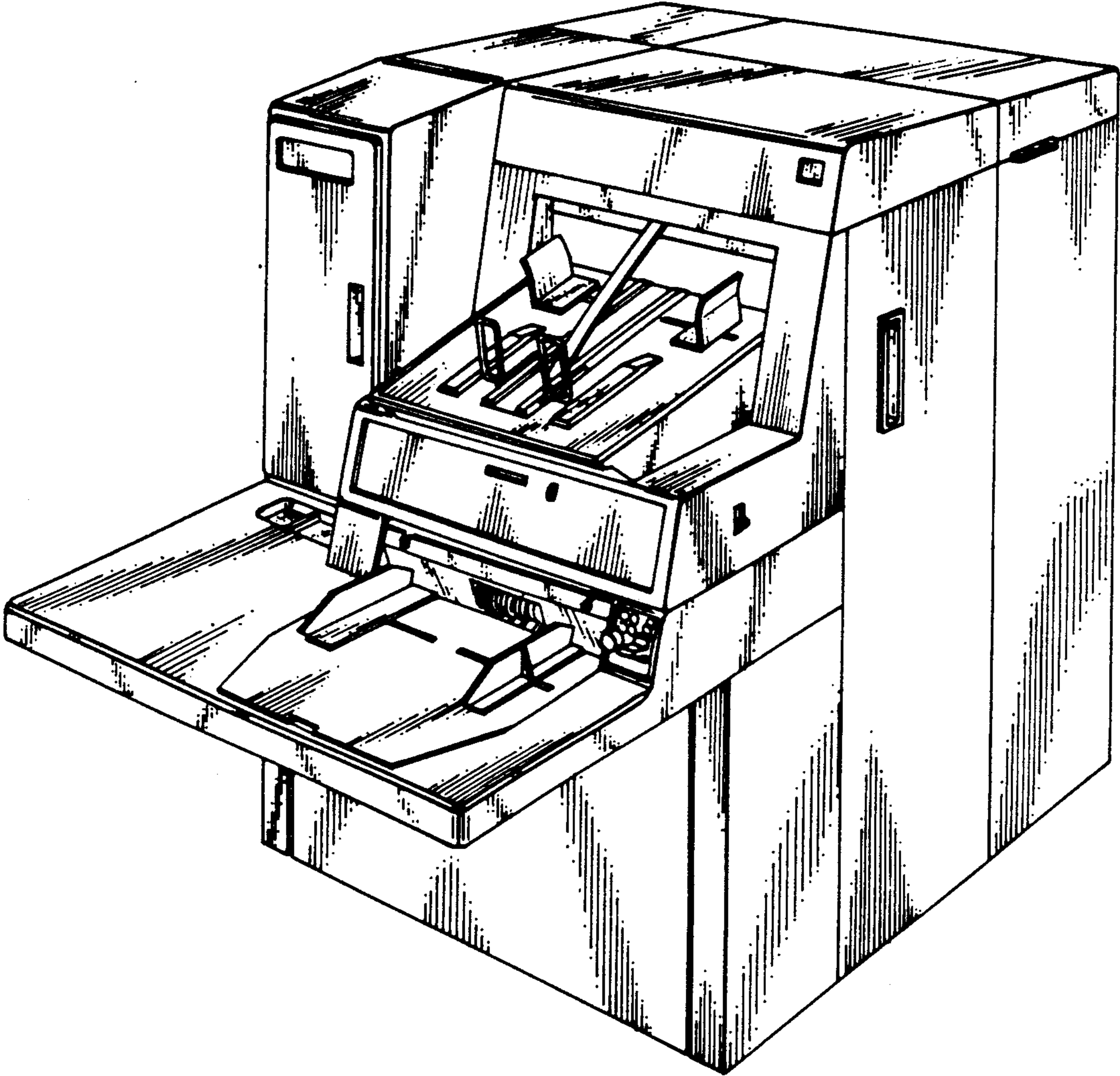
[57] **CLAIM**

The ornamental design for a microfilm camera, as shown and described.

**DESCRIPTION**

FIG. 1 is a top, front and right side perspective view of a microfilm camera showing my new design;  
FIG. 2 is a top, front and left side perspective view thereof;  
FIG. 3 is a top, rear and right side perspective view thereof.





**FIG. 1**

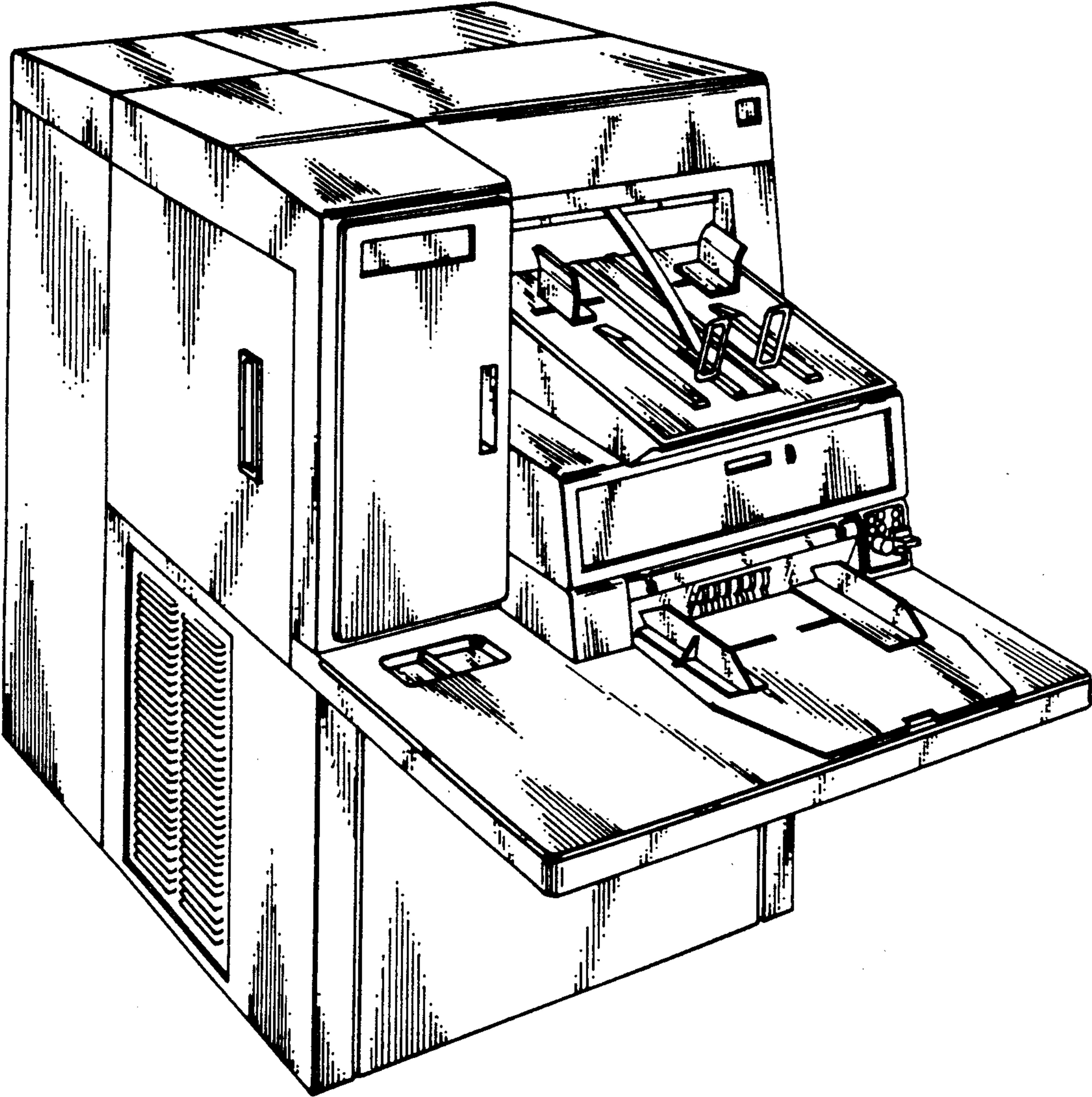
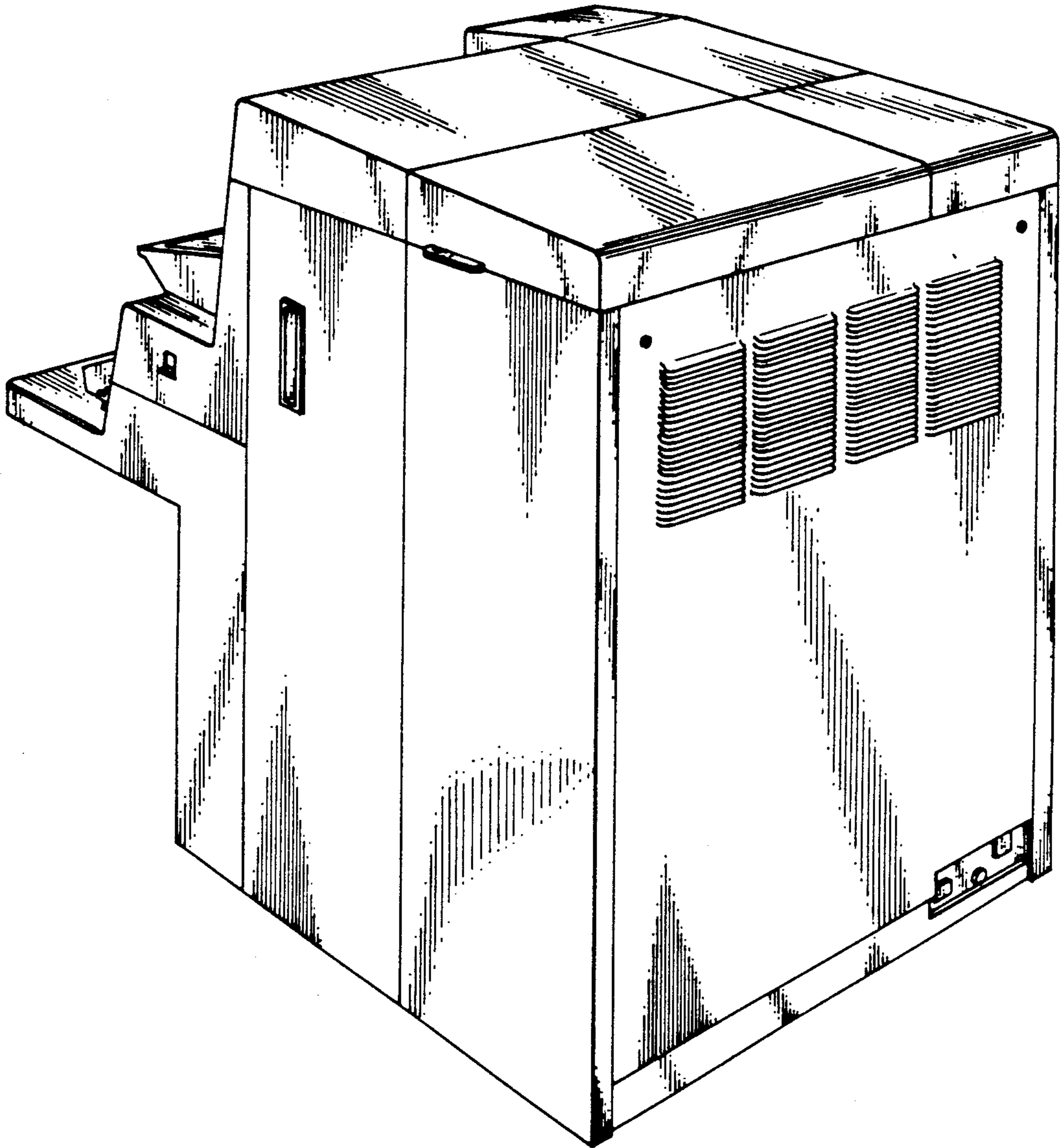


FIG. 2





**FIG. 3**