

[54] **GUITAR PEGHEAD**  
[75] **Inventor: Michael V. Powers, Meridian, Miss.**  
[73] **Assignee: Peavey Electronics Corporation, Meridian, Miss.**  
[\*\*] **Term: 14 Years**  
[21] **Appl. No.: 236,771**  
[22] **Filed: Aug. 26, 1988**  
[52] **U.S. Cl. .... D17/20**  
[58] **Field of Search .... D17/14, 18, 29, 20; 84/267, 290, 291, 293**

D. 276,441 11/1984 Berardi et al. .... D16/20  
D. 277,765 2/1985 Sugai ..... D17/20

*Primary Examiner*—Bernard Ansher  
*Assistant Examiner*—Adir Aronovich  
*Attorney, Agent, or Firm*—Watson, Cole, Grindle & Watson

[57] **CLAIM**

The ornamental design for a guitar peghead, as shown and described.

**DESCRIPTION**

FIG. 1 is a top plan view of a guitar peghead showing my new design;  
FIG. 2 is a left side elevational view thereof;  
FIG. 3 is a bottom plan view thereof;  
FIG. 4 is a right side elevational view thereof;  
FIG. 5 is a left end elevational view thereof; and  
FIG. 6 is a cross section taken on line 6—6 of FIG. 1.

[56] **References Cited**  
**U.S. PATENT DOCUMENTS**  
D. 255,461 6/1980 Todd, III ..... D17/20  
D. 255,462 6/1980 Todd, III ..... D17/20  
D. 268,685 4/1983 Seshimoto ..... D17/20

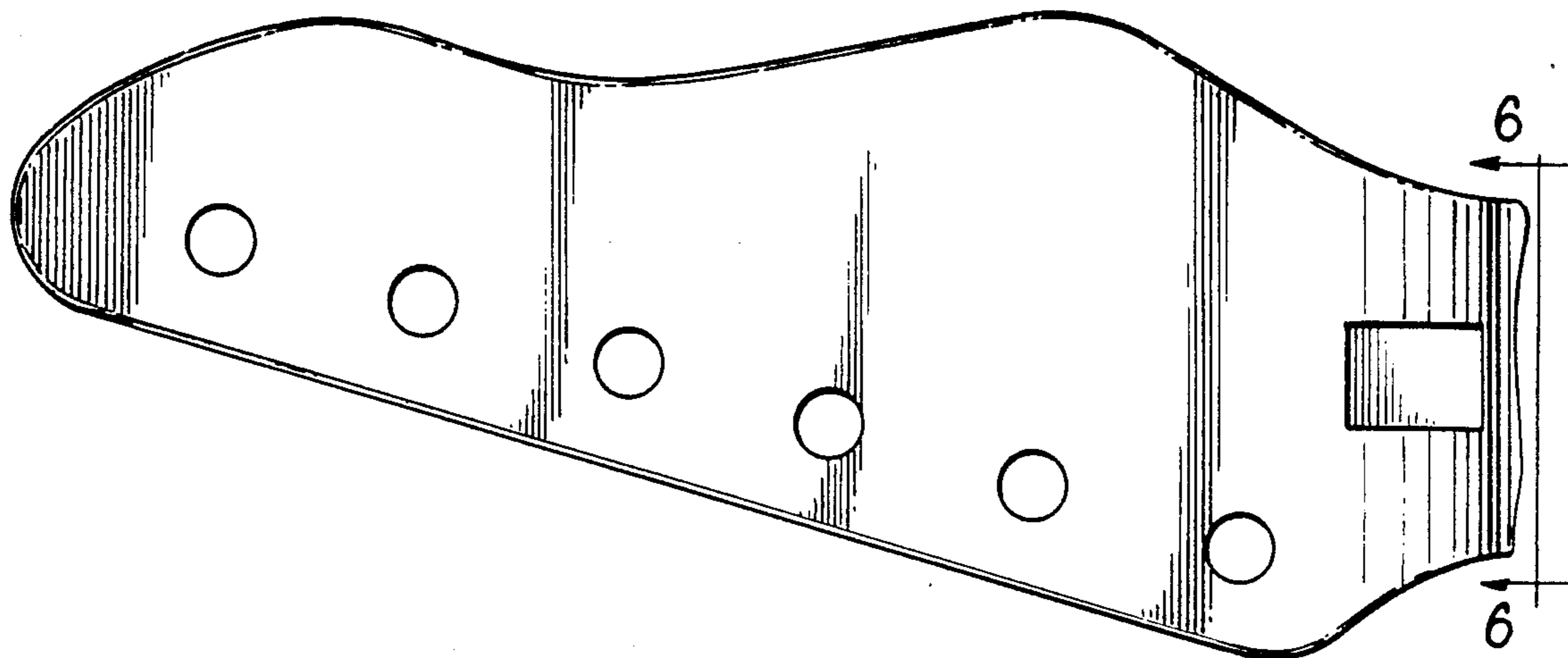


FIG. 1

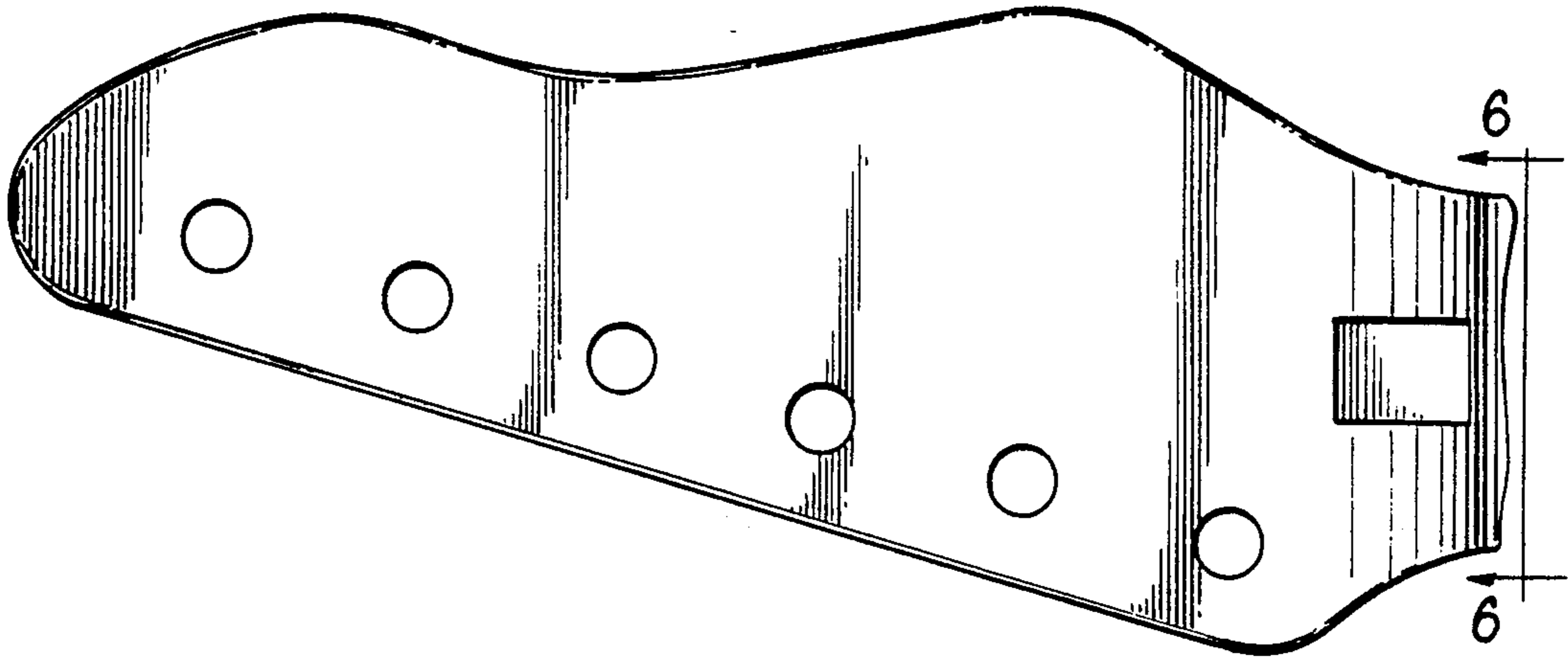


FIG. 2

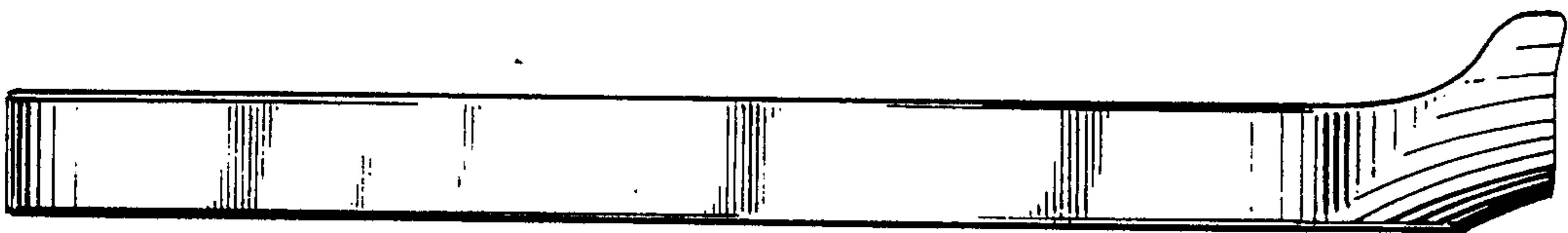


FIG. 3

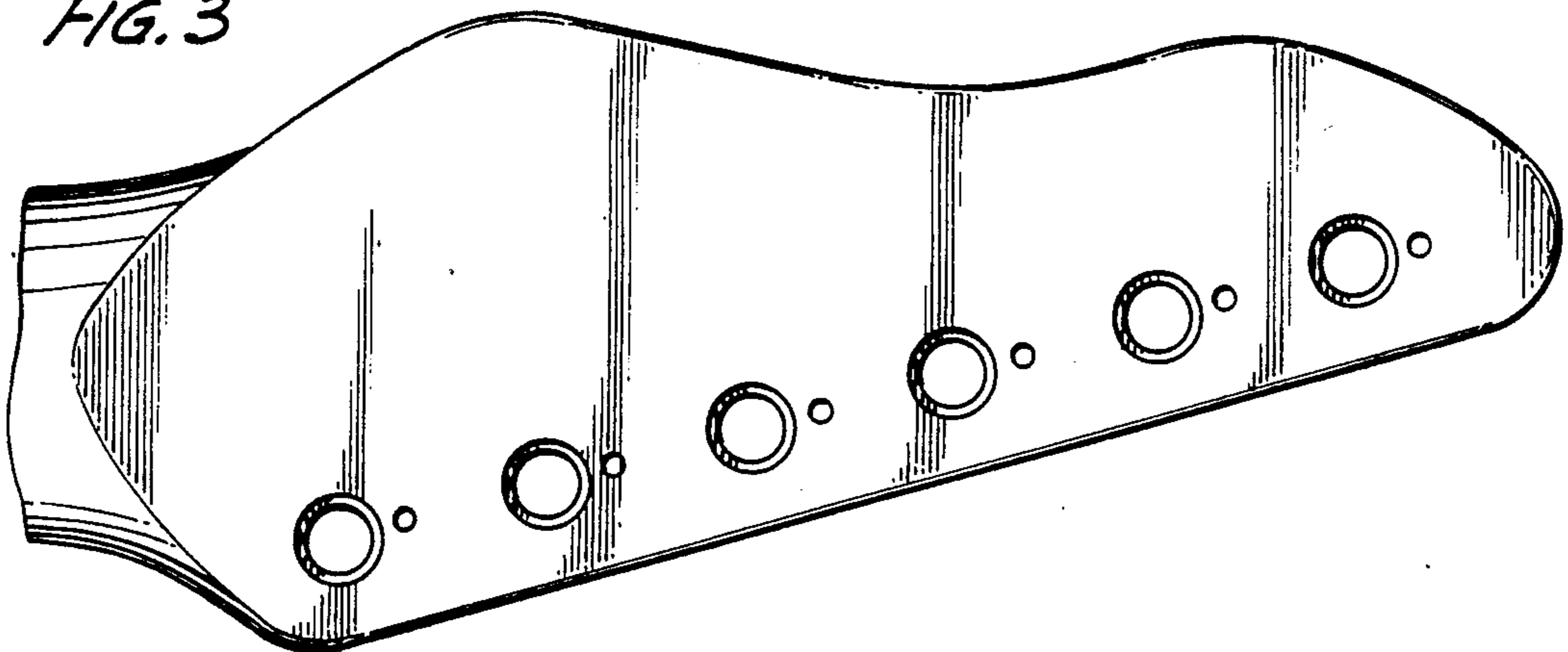


FIG. 4

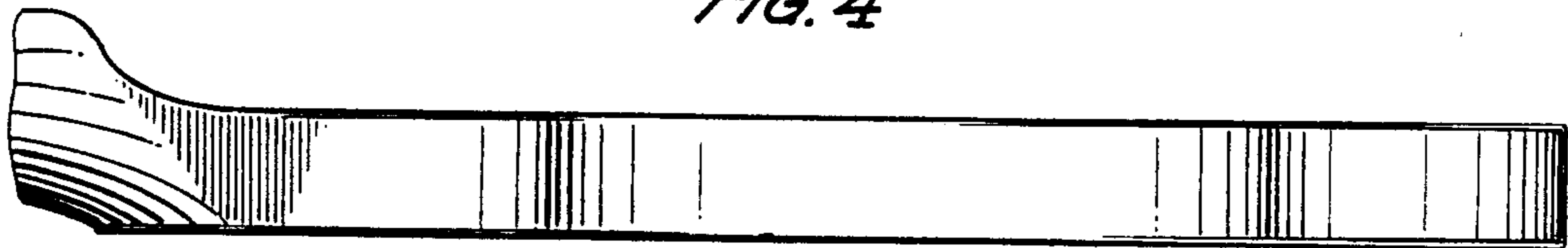


FIG. 5

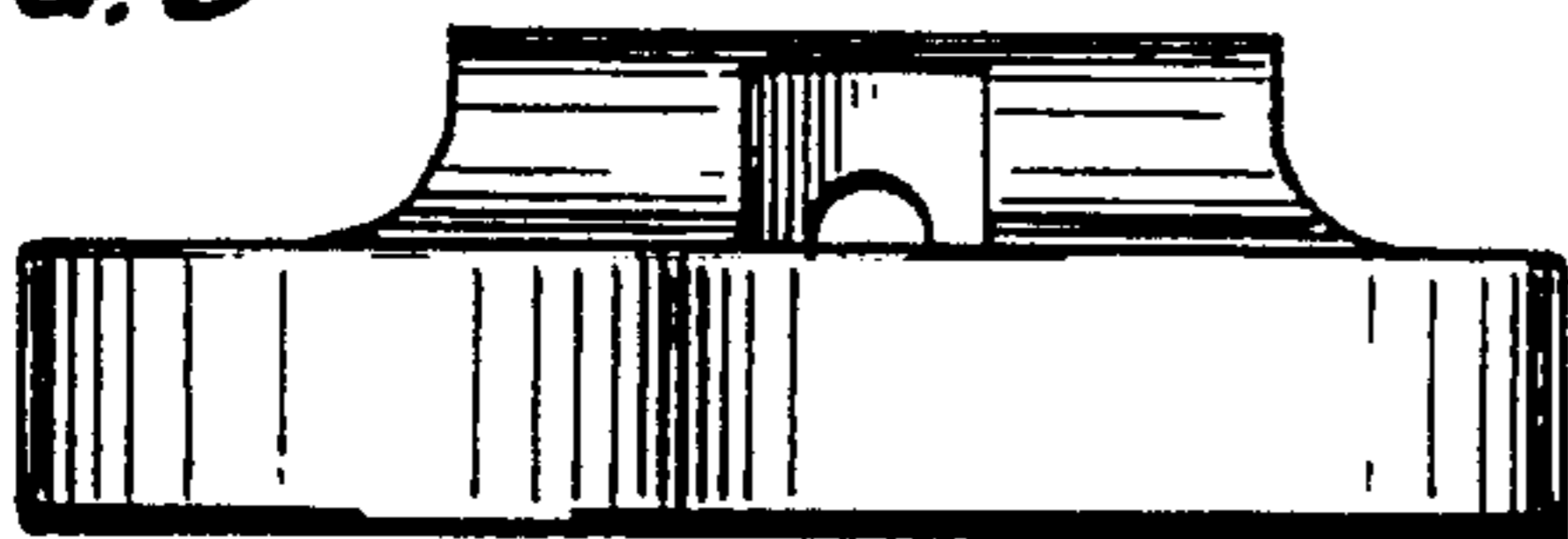


FIG. 6

