

[54] COVER PANELS FOR COMBINE SKID
PLATE PANELS

[76] Inventor: Thermon D. Rabitsch, P.O. Box 349,
Monticello, Ga. 31064

[**] Term: 14 Years

[21] Appl. No.: 285,238

[22] Filed: Dec. 16, 1988

Related U.S. Application Data

[62] Division of Ser. No. 908,616, Sep. 18, 1986, Pat. No. D.
302,432.

[52] U.S. Cl. D15/28

[58] Field of Search D15/10, 11, 12, 28,
D15/32, 33; 56/172, 174, 119; 172/112, 508,
509

[56] **References Cited**

PUBLICATIONS

"Northern Show Stoppers", *Farm Industry News*, vol.
18, No. 3, pp. 46-47 (Mar 1985).

Primary Examiner—B. J. Bullock

Assistant Examiner—Sandra Morris

Attorney, Agent, or Firm—Mason, Fenwick & Lawrence

[57] **CLAIM**

The ornamental design for cover panels for combine
skid plate panels, as shown and described.

DESCRIPTION

FIG. 1 is a bottom perspective view of a first embodi-
ment of the cover panels for combine skid plate panels,
showing my new design;

FIG. 2 is a top perspective view thereof;

FIG. 3 is a left side elevational view thereof;

FIG. 4 is a right side elevational view thereof;

FIG. 5 is a cross-sectional view thereof, taken along line
5—5 of FIG. 1;

FIG. 6 is a bottom perspective view of a second em-
bodiment thereof;

FIG. 7 is a top plan view of FIG. 6;

FIG. 8 is a right side elevational view of FIG. 6;

FIG. 9 is a left side elevational view of FIG. 6;

FIG. 10 is a cross-sectional view of FIG. 6, taken along
line 10—10 of FIG. 6;

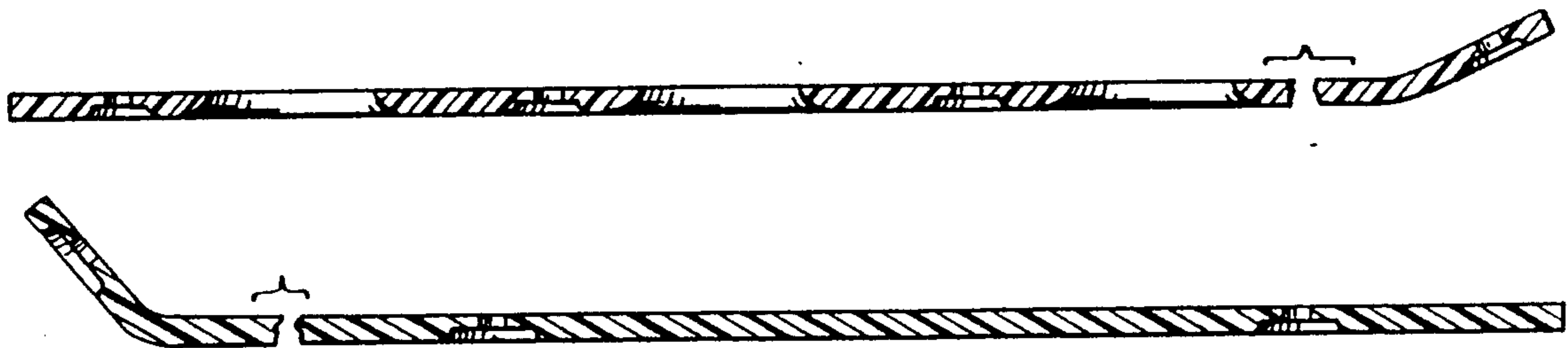
FIG. 11 is a bottom perspective view of a third embodi-
ment thereof;

FIG. 12 is a top perspective view of FIG. 11;

FIG. 13 is a right side elevational view of FIG. 11;

FIG. 14 is a left side elevational view thereof;

FIG. 15 is a cross-sectional view of FIG. 11, taken
along line 15—15 of FIG. 11.



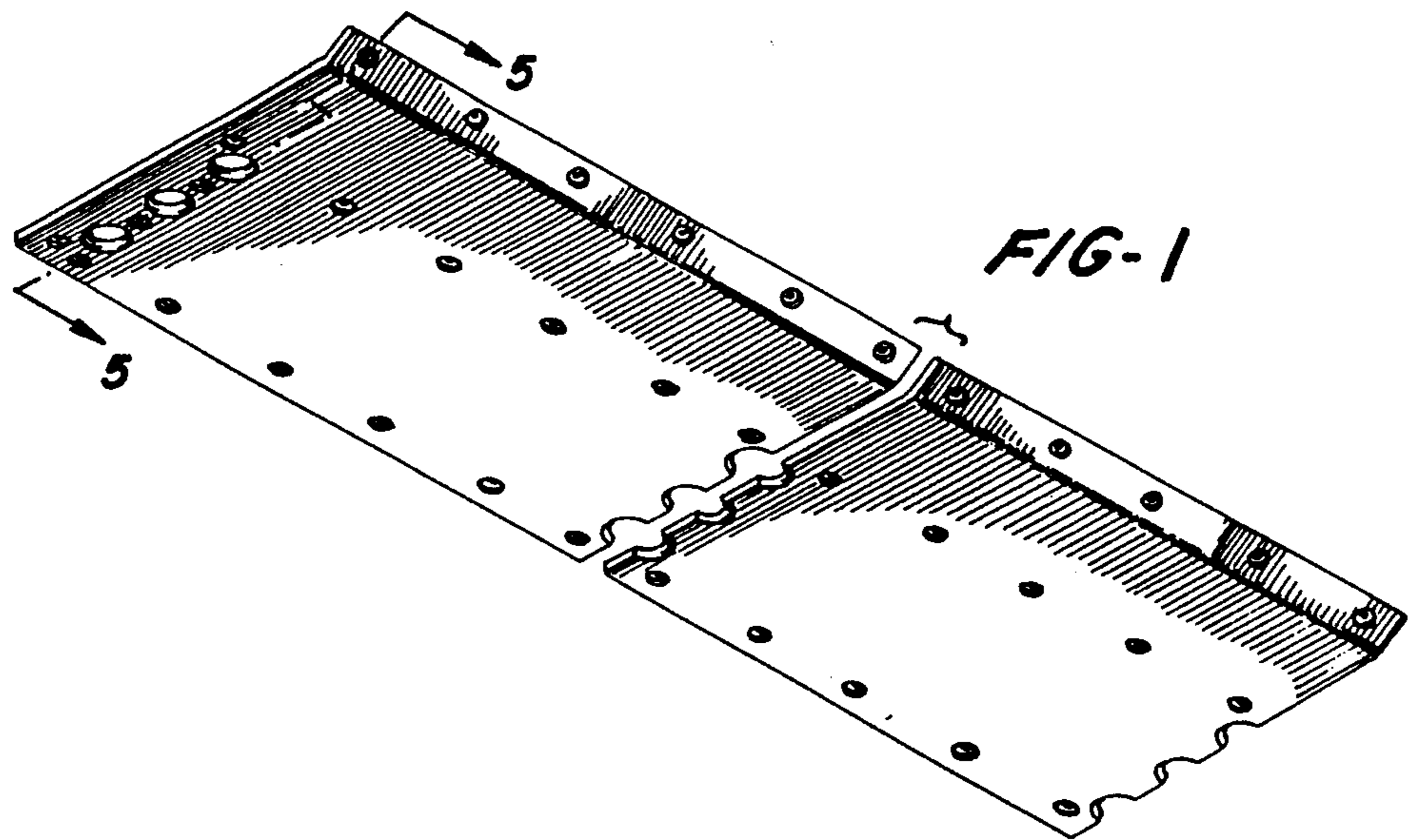


FIG-3



FIG-4



FIG-5



FIG-2

