

[54] LAWN TRACTOR HOUSING

[75] Inventors: Joe Crabtree; Alex Gafford, both of Franklin; Richard D. Williams, Brentwood, all of Tenn.

[73] Assignee: The Murray Ohio Manufacturing Company, Brentwood, Tenn.

[\*\*] Term: 14 Years

[21] Appl. No.: 254,041

[22] Filed: Oct. 6, 1988

[52] U.S. Cl. .... D15/15

[58] Field of Search ..... D15/14, 15, 16, 23; 56/13.4, 16.7, 202, 320.1, 320.2; 180/89.1, 89.12, 900

[56] References Cited

U.S. PATENT DOCUMENTS

- D. 230,046 1/1974 Manofsky ..... D15/15
- D. 245,604 8/1977 Cognata et al. .... D15/15
- D. 248,397 7/1978 Cognata et al. .... D15/15

D. 292,406 10/1987 Kruse et al. .... D15/23

OTHER PUBLICATIONS

Sears Spring-Summer catalog 1980, p. 820, top photo (10-HP).

Primary Examiner—B. J. Bullock  
Assistant Examiner—Sandra Morris  
Attorney, Agent, or Firm—Cushman, Darby & Cushman

[57] CLAIM

The ornamental design for a lawn tractor housing, as shown and described.

DESCRIPTION

FIG. 1 is a front perspective view of a lawn tractor housing showing our new design; FIG. 2 is a right side elevational view thereof; FIG. 3 is a front perspective view thereof; and FIG. 4 is a rear perspective view thereof.

The cutter mechanism shown in FIG. 1 is shown in broken lines for illustrative purposes only and forms no part of the claimed design.

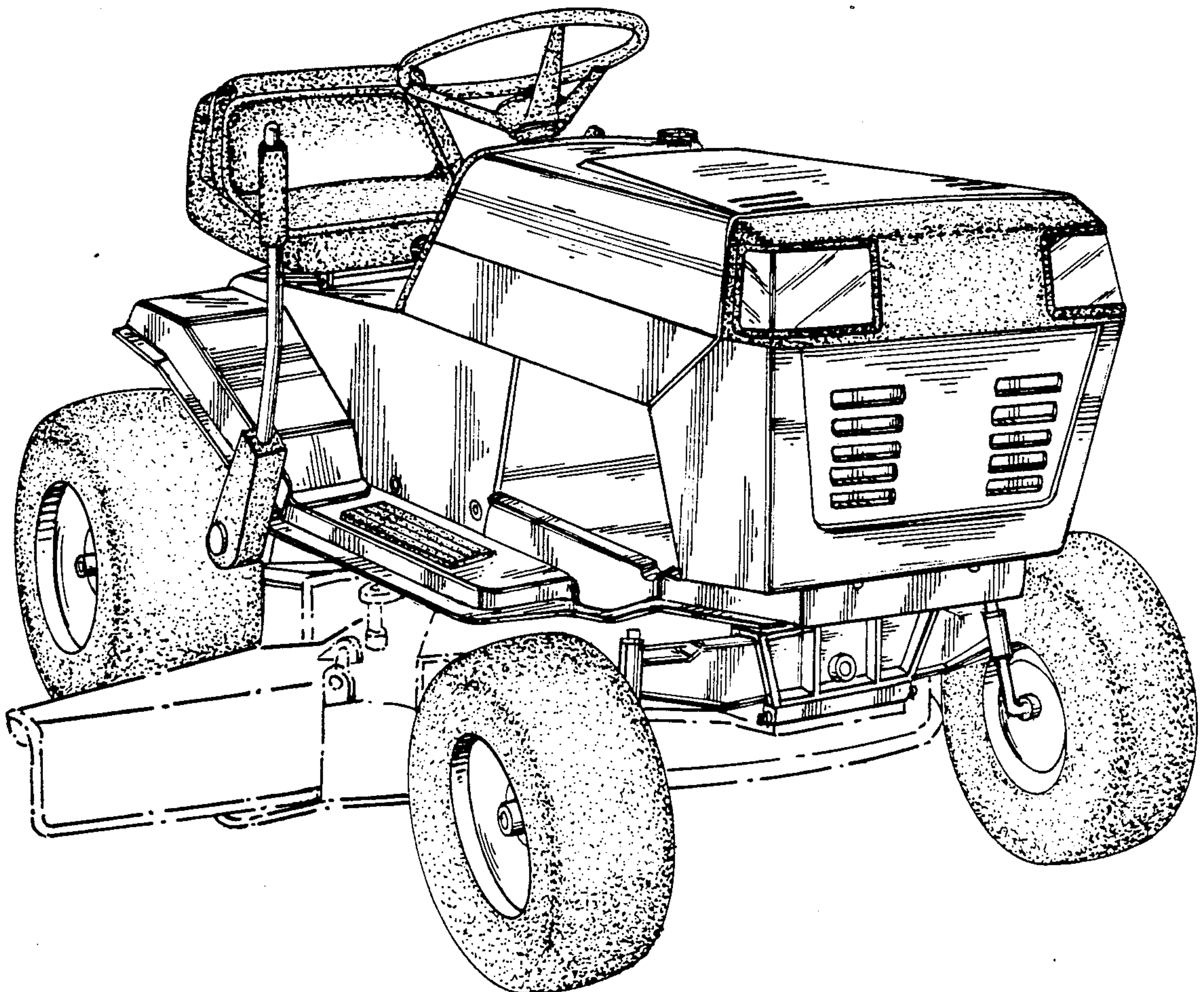
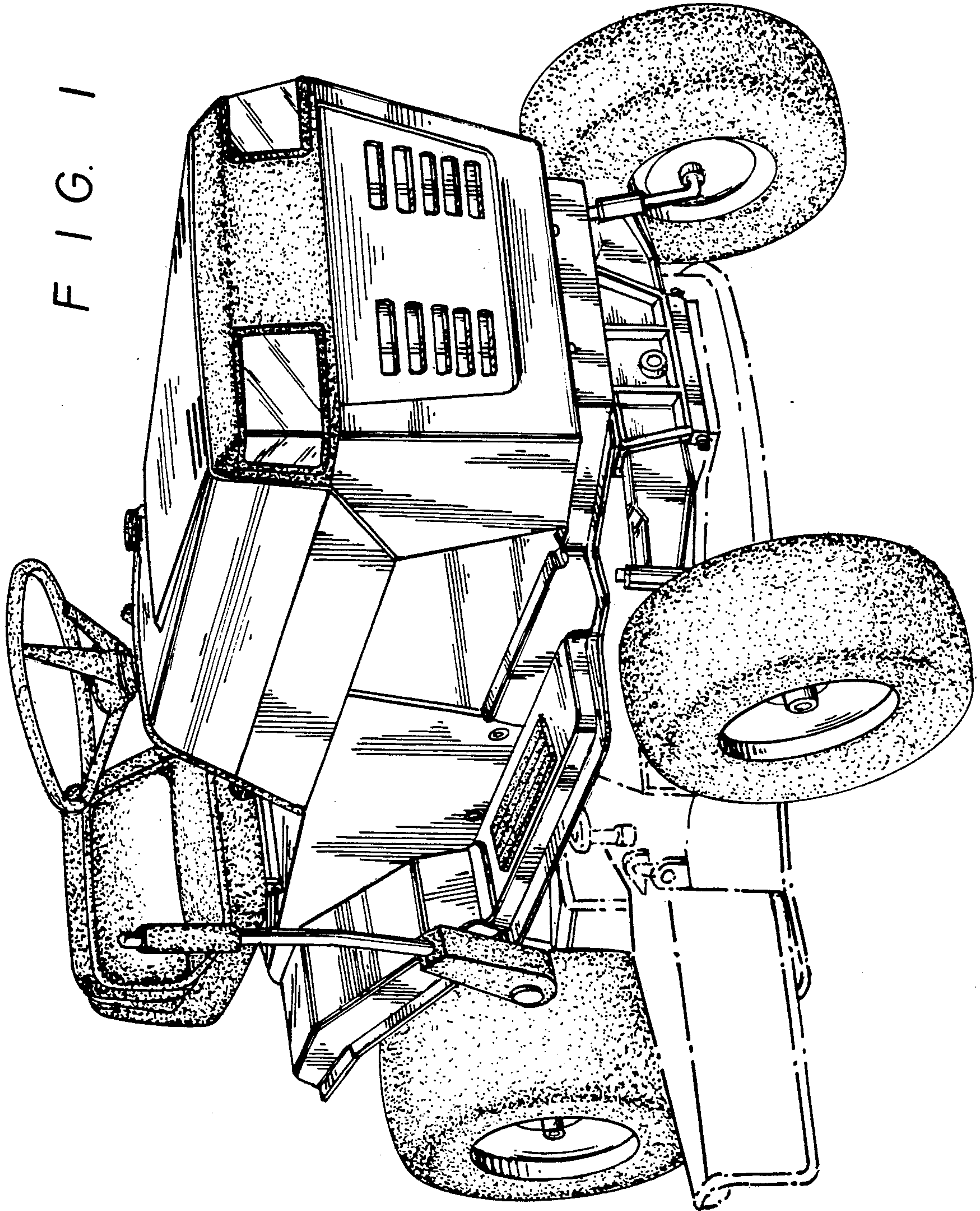




FIG. 1



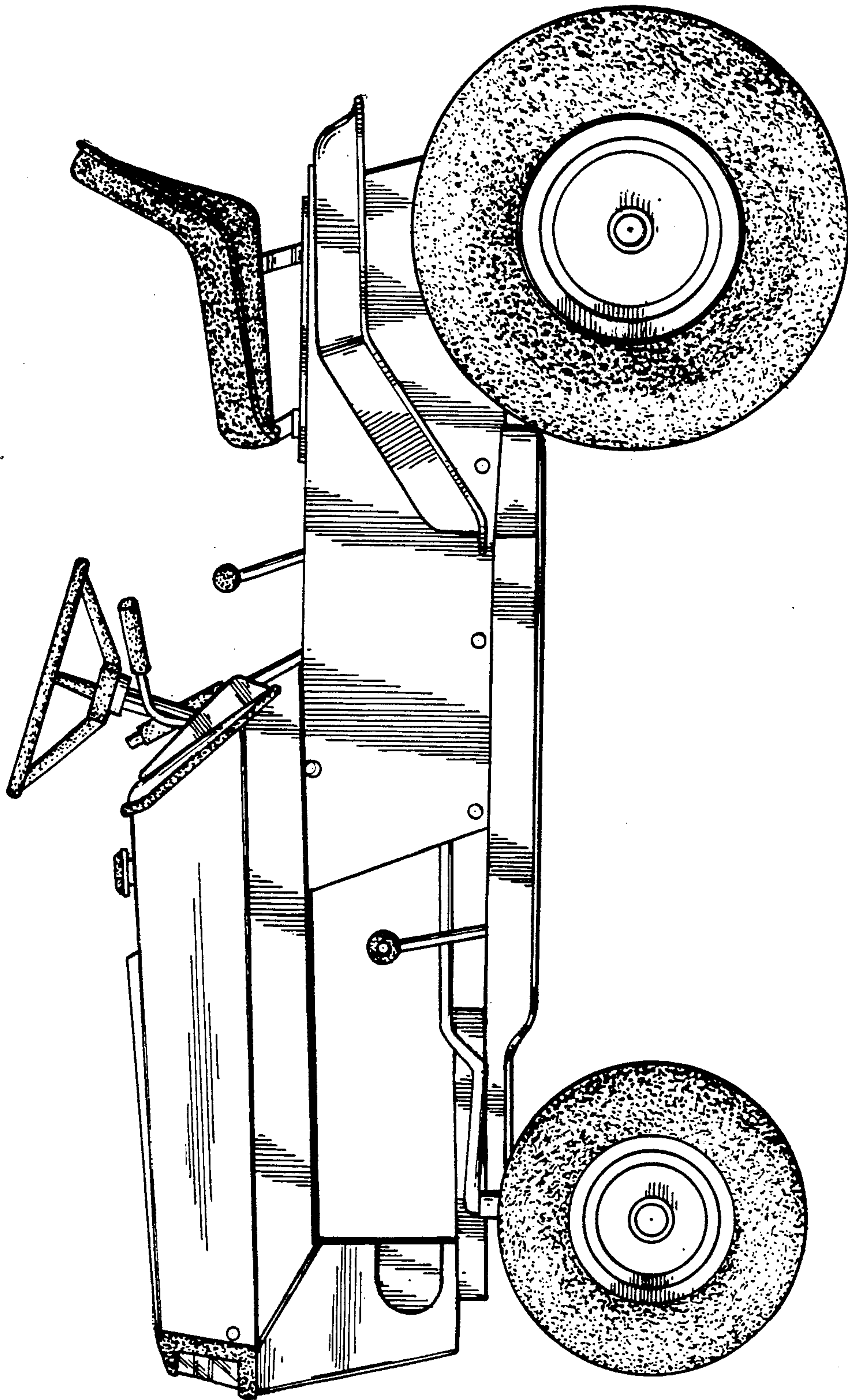


FIG. 2



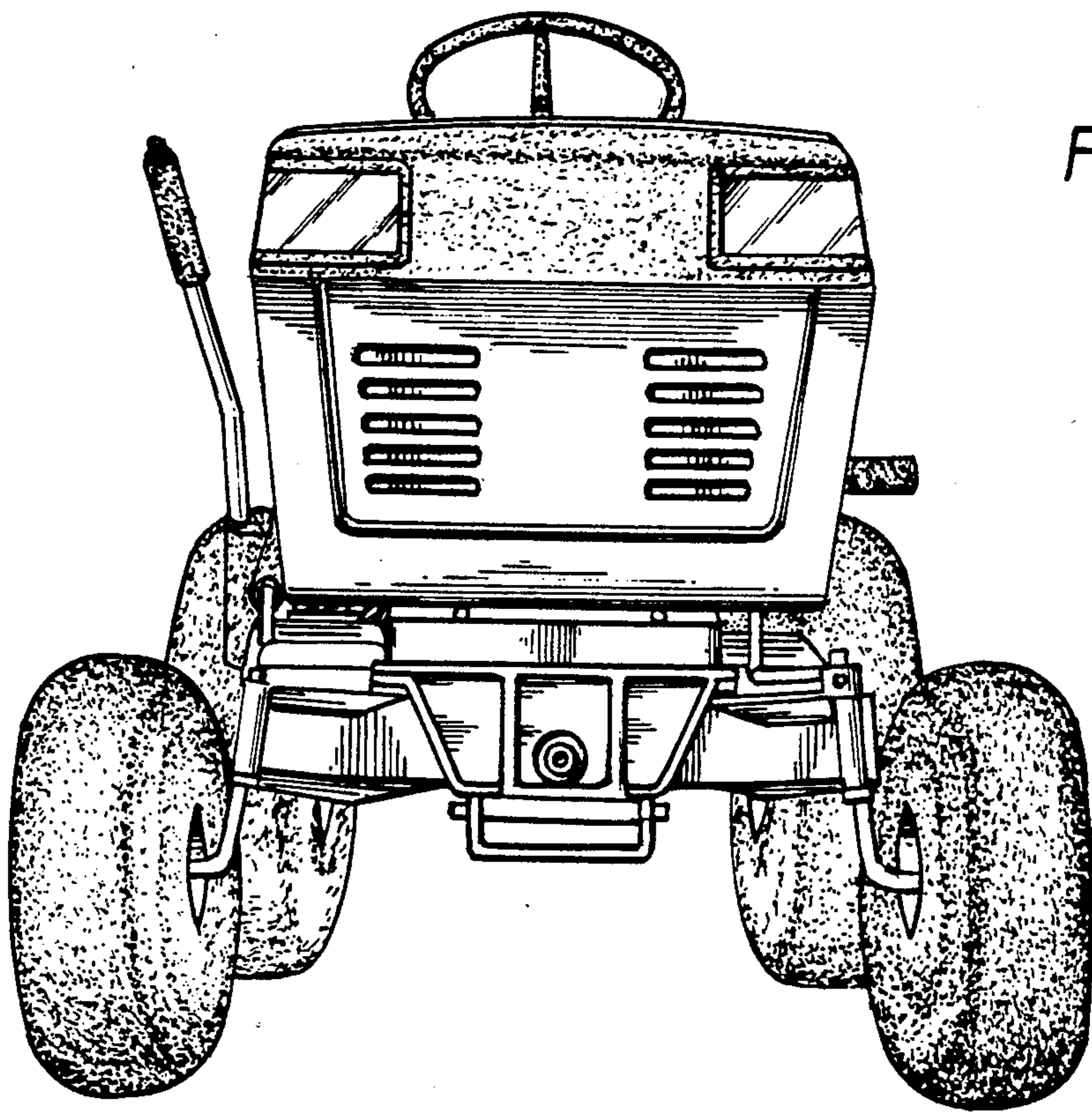


FIG. 3

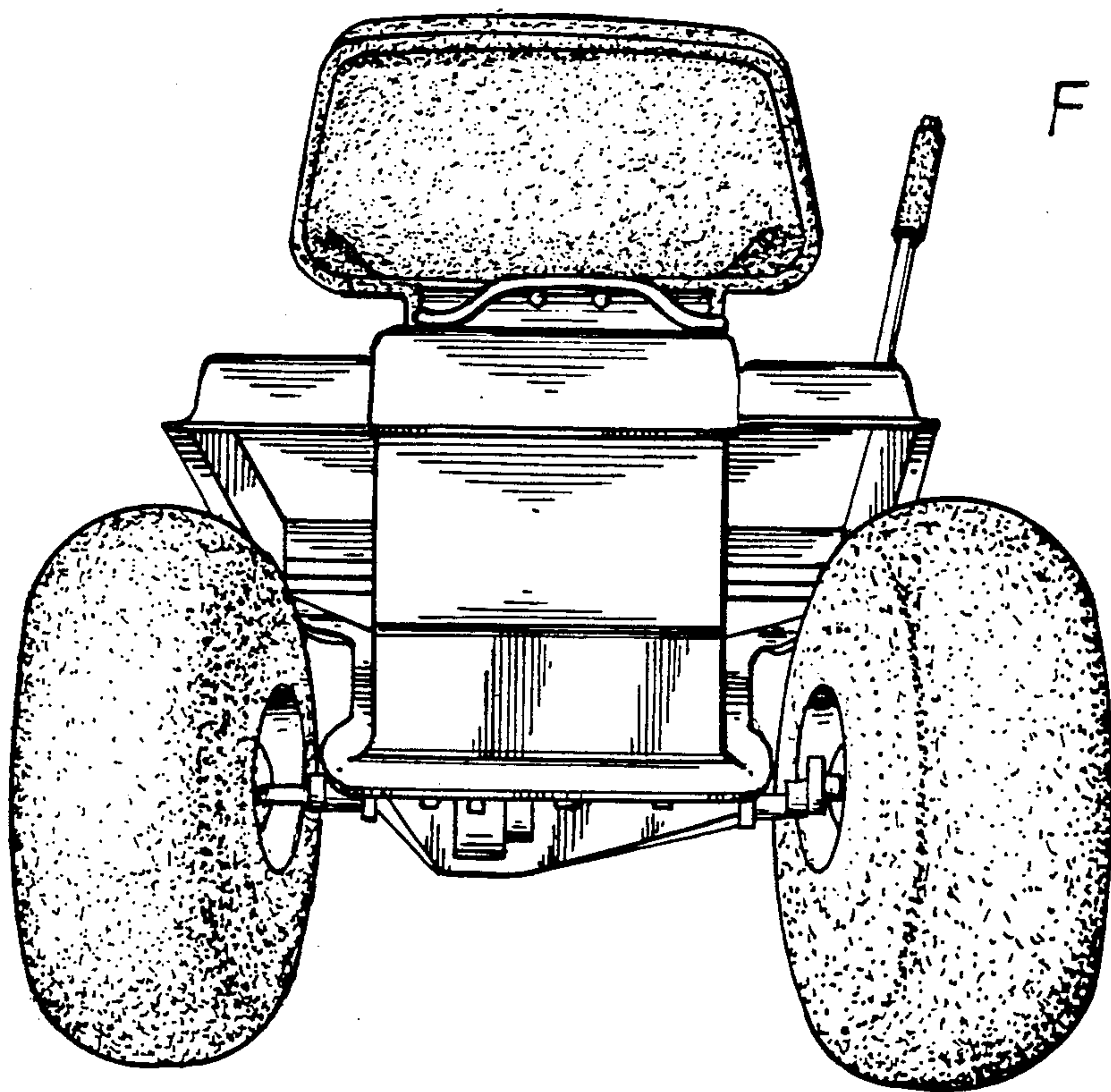


FIG. 4