

United States Patent [19]

Yoshida et al.

[11] Patent Number: **Des. 314,775**

[45] Date of Patent: **** Feb. 19, 1991**

[54] SNOW PLOW

[75] Inventors: **Isao Yoshida; Tatsuya Okuhara; Takahiro Hoshino**, all of Wako, Japan

[73] Assignee: **Honda Giken Kogyo Kabushiki Kaisha**, Tokyo, Japan

[**] Term: **14 Years**

[21] Appl. No.: **115,031**

[22] Filed: **Oct. 30, 1987**

[30] **Foreign Application Priority Data**

May 27, 1987 [JP] Japan 62-21025

[52] U.S. Cl. **D15/11**

[58] Field of Search D15/10-13, D15/26; D32/15, 16; 37/196, 220, 223, 248

[56]

References Cited

U.S. PATENT DOCUMENTS

D. 241,762	10/1976	Hinklin	D15/12
D. 251,786	5/1979	Wildgen	D15/12
D. 262,797	1/1982	Arthur et al.	D15/12
D. 269,092	5/1983	Davies	D15/12
D. 270,057	8/1983	Nakamura	D15/12

Primary Examiner—A. Hugo Word
Assistant Examiner—Ruth McInroy
Attorney, Agent, or Firm—Wenderoth, Lind & Ponack

[57]

CLAIM

The ornamental design for a snow plow, as shown.

DESCRIPTION

FIG. 1 is a front elevational view of a snow plow showing our new design;

FIG. 2 is a rear elevational view thereof;

FIG. 3 is a right side elevational view thereof;

FIG. 4 is a left side elevational view thereof;

FIG. 5 is a top plan view thereof;

FIG. 6 is a bottom plan view thereof;

FIG. 7 is a right side perspective view thereof; and

FIG. 8 is a left side perspective view thereof.

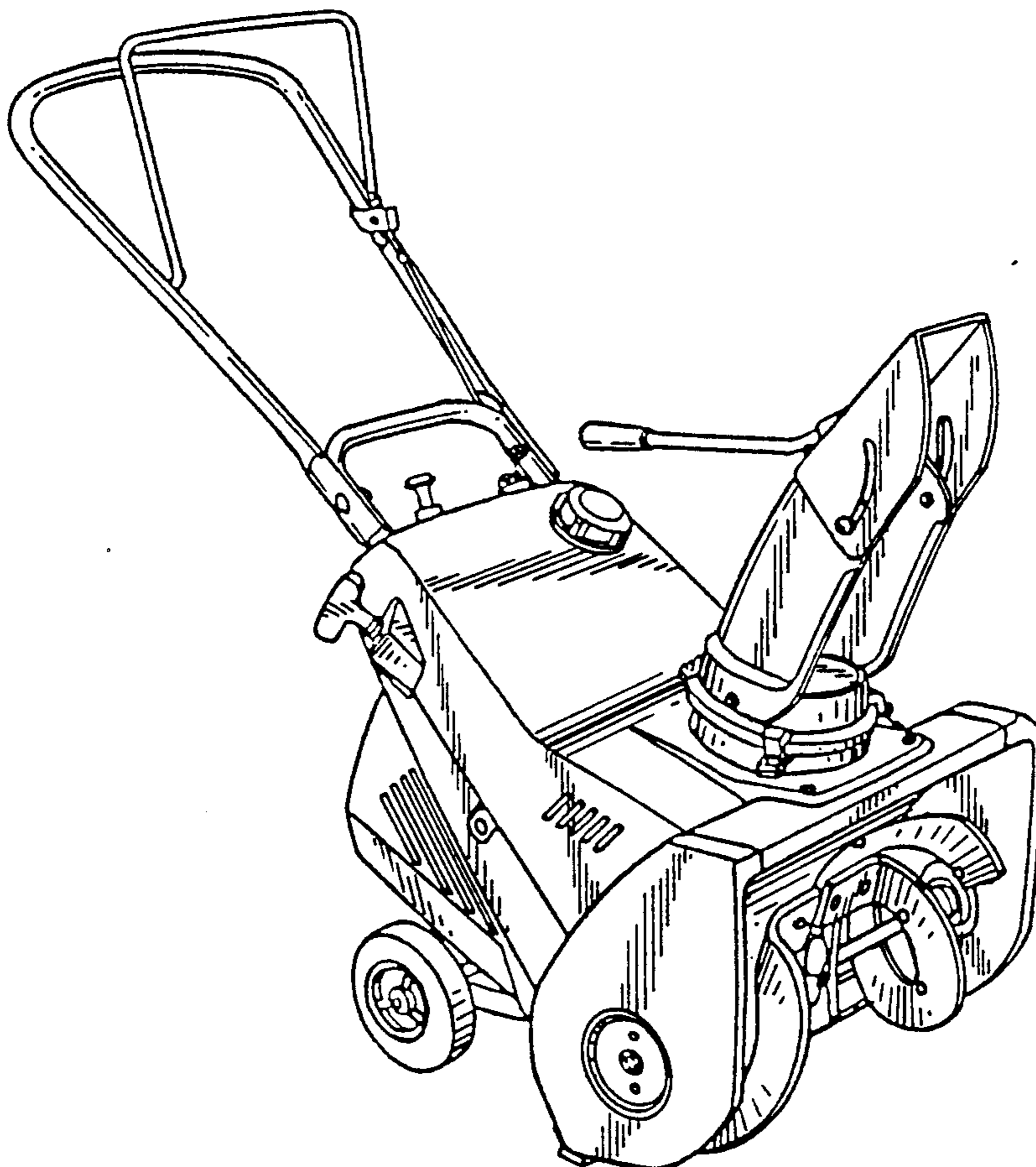


FIG. 1

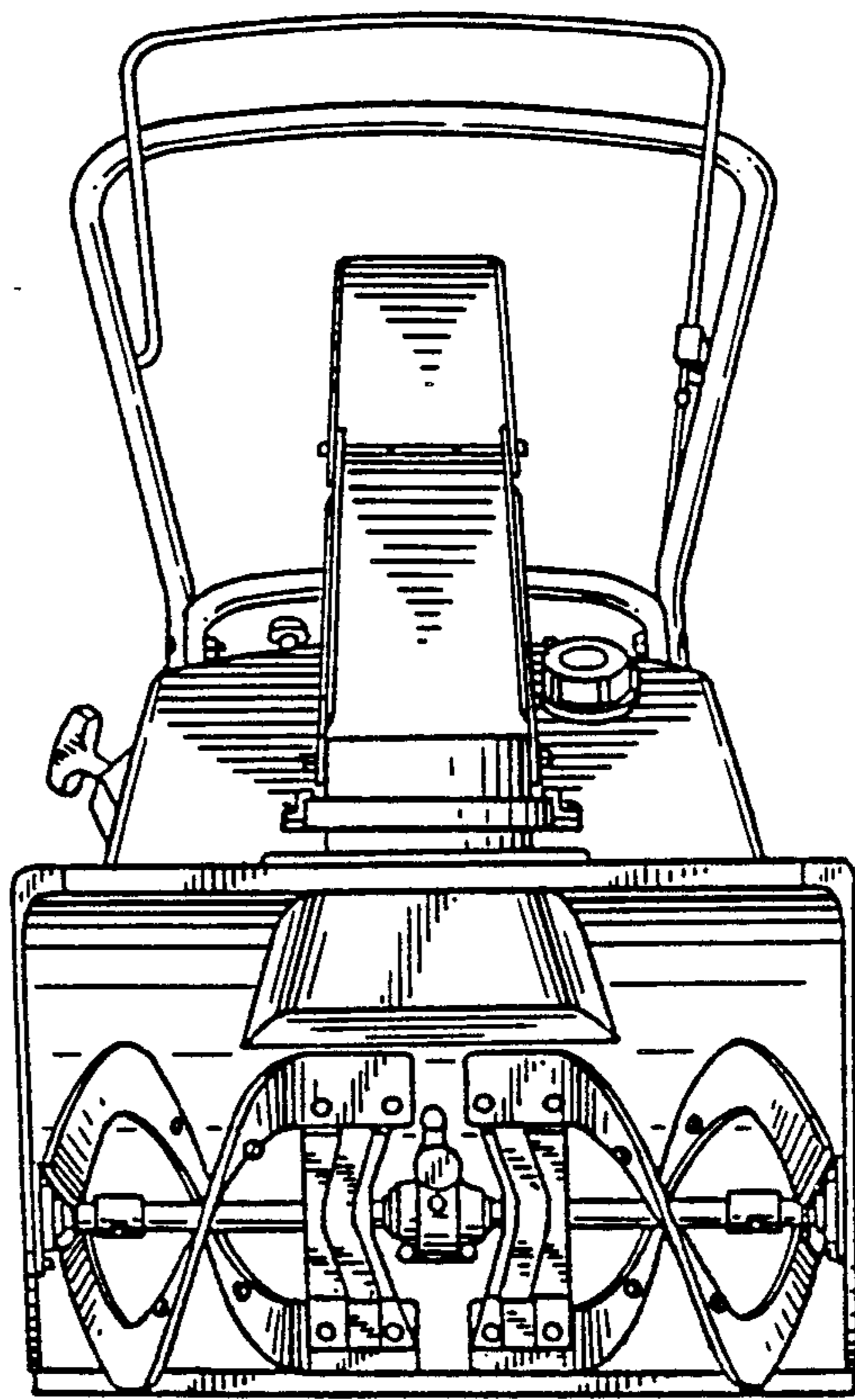


FIG. 2

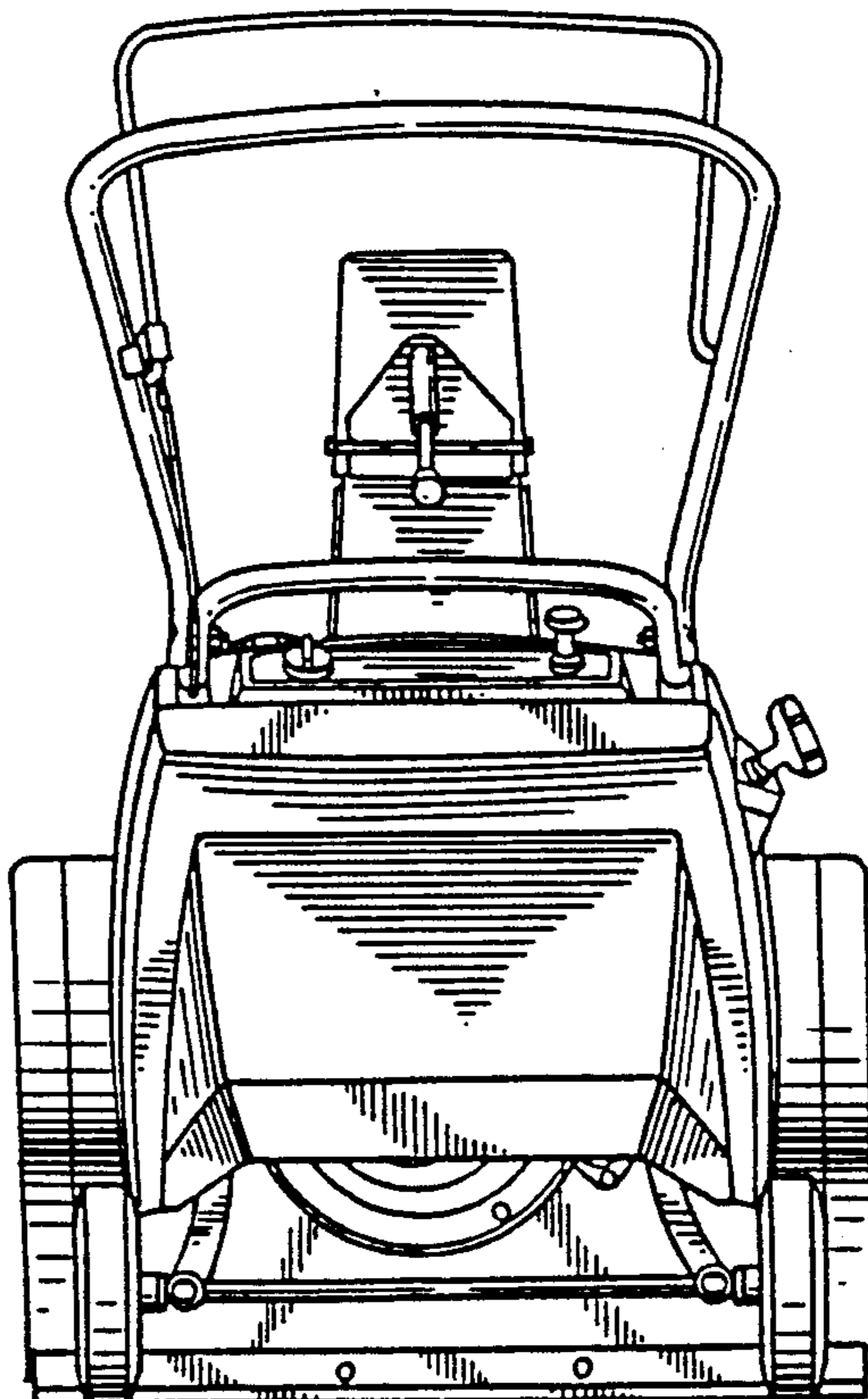


FIG. 3

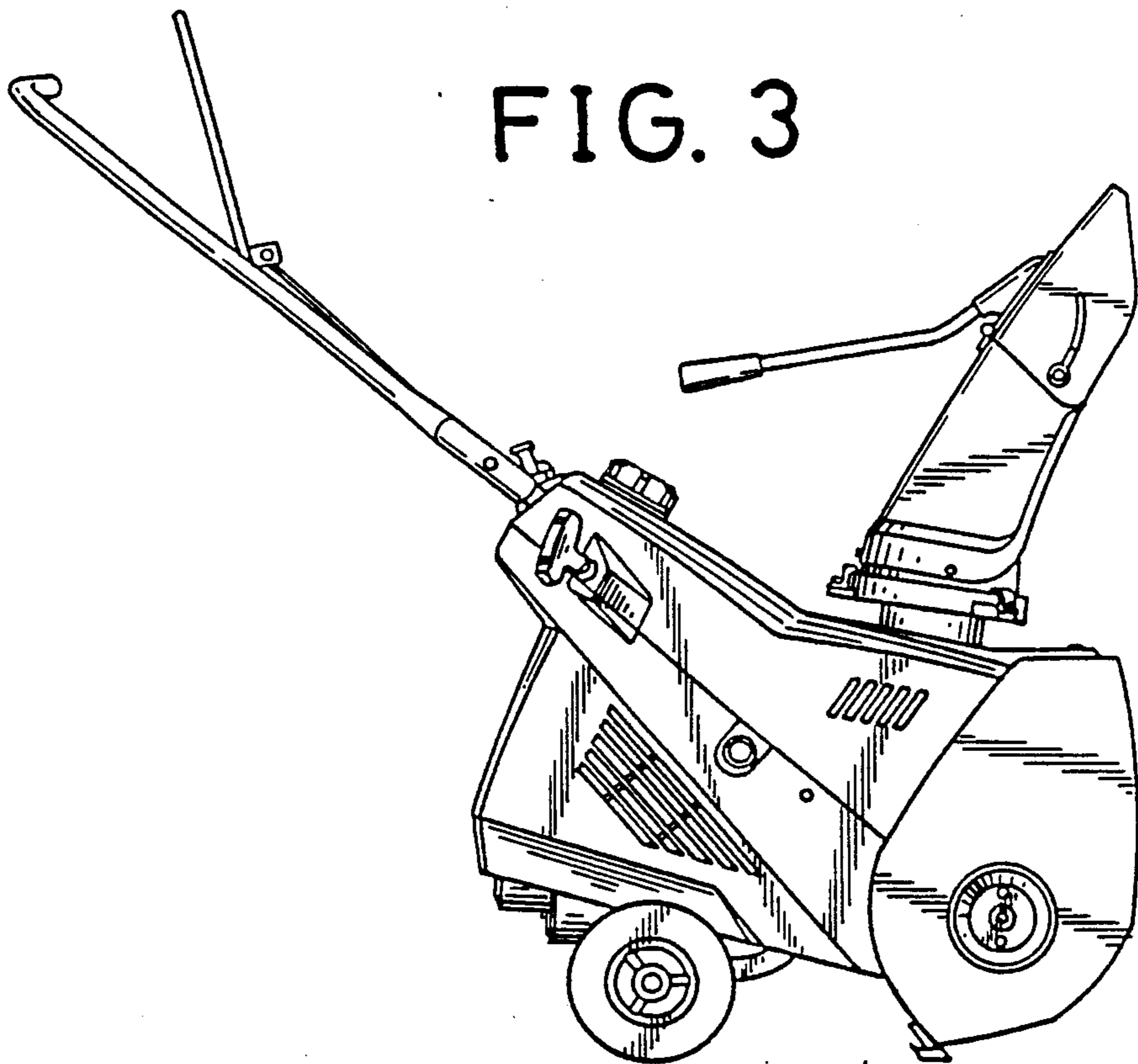
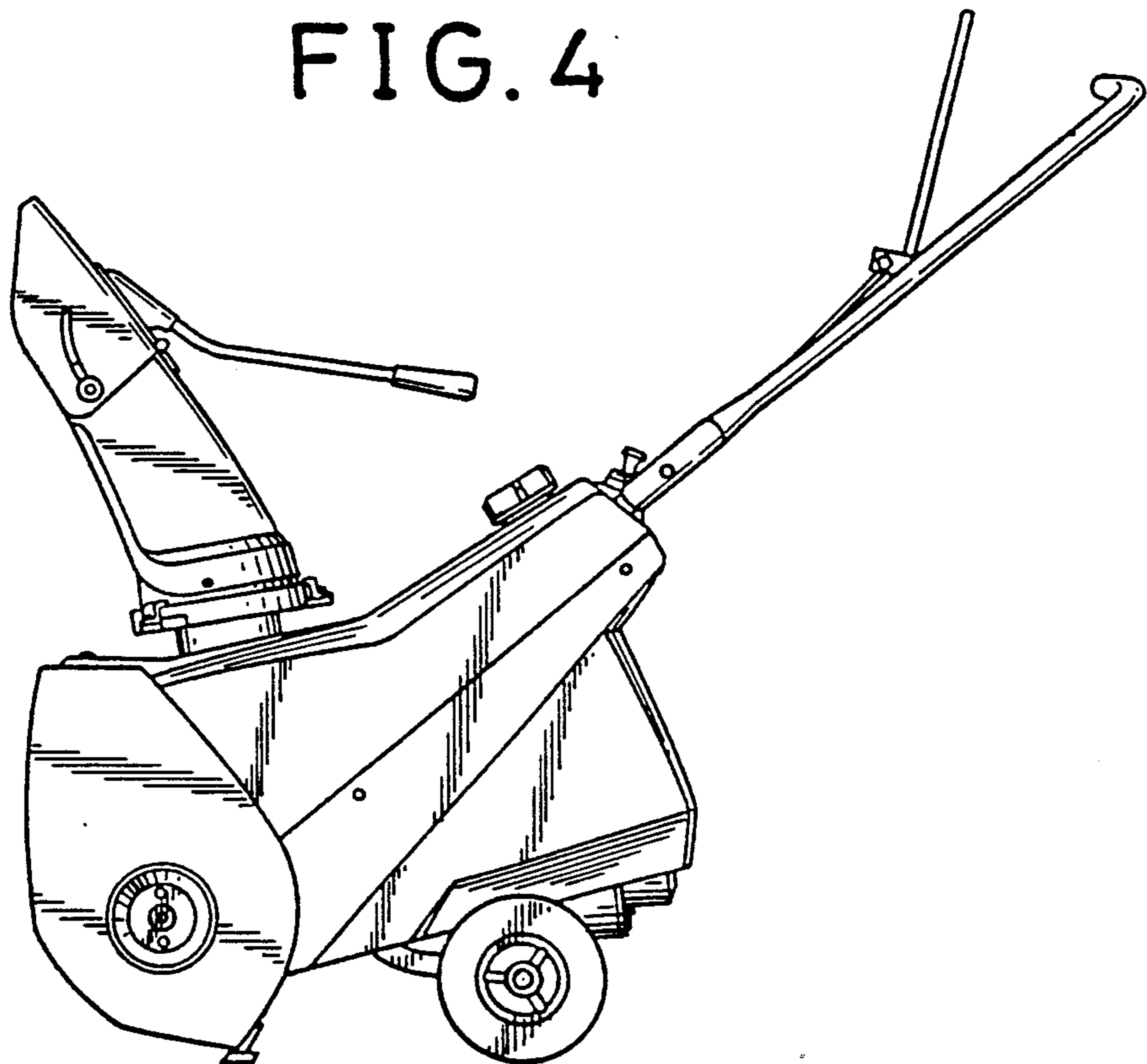


FIG. 4



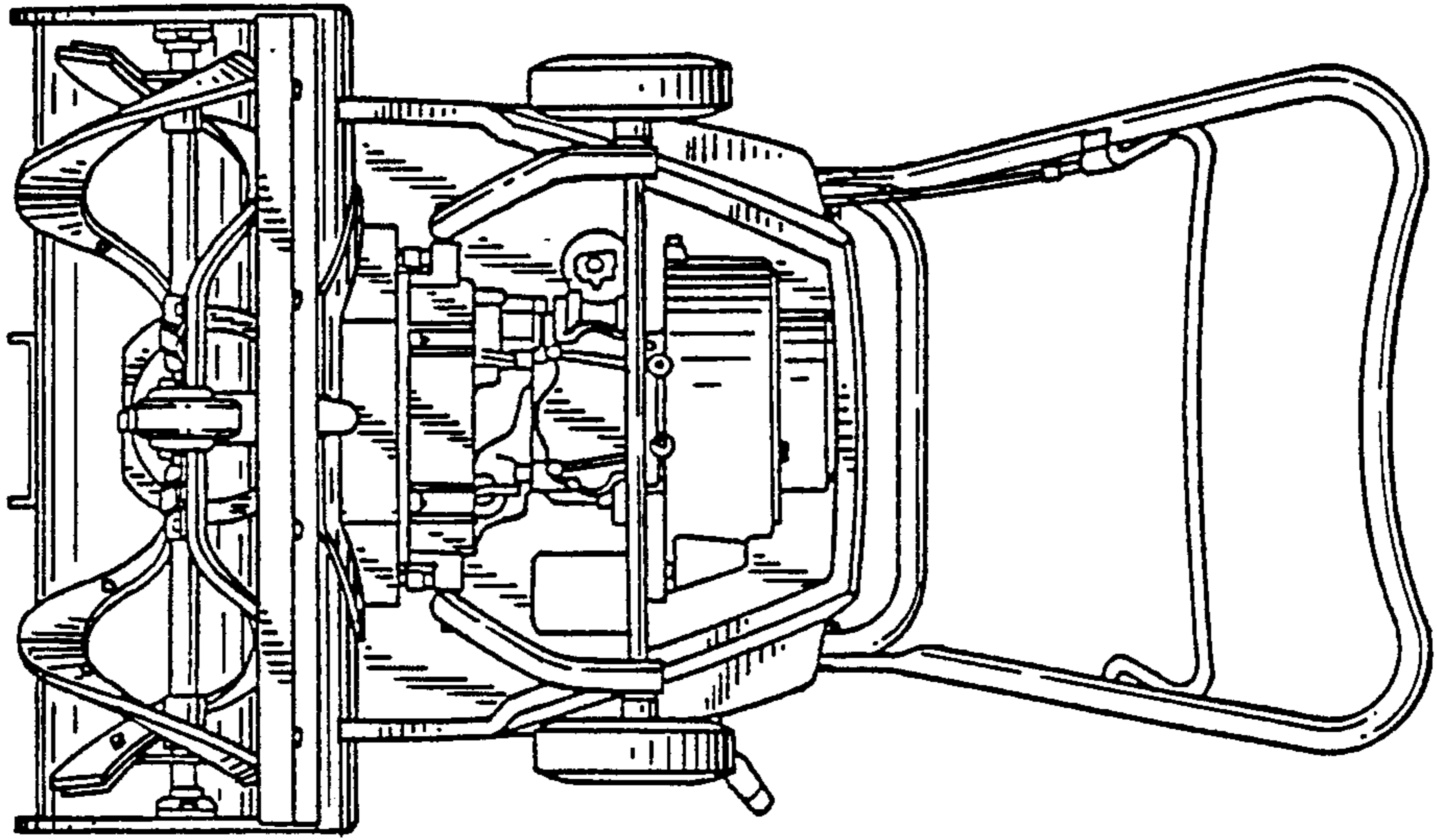


FIG. 6

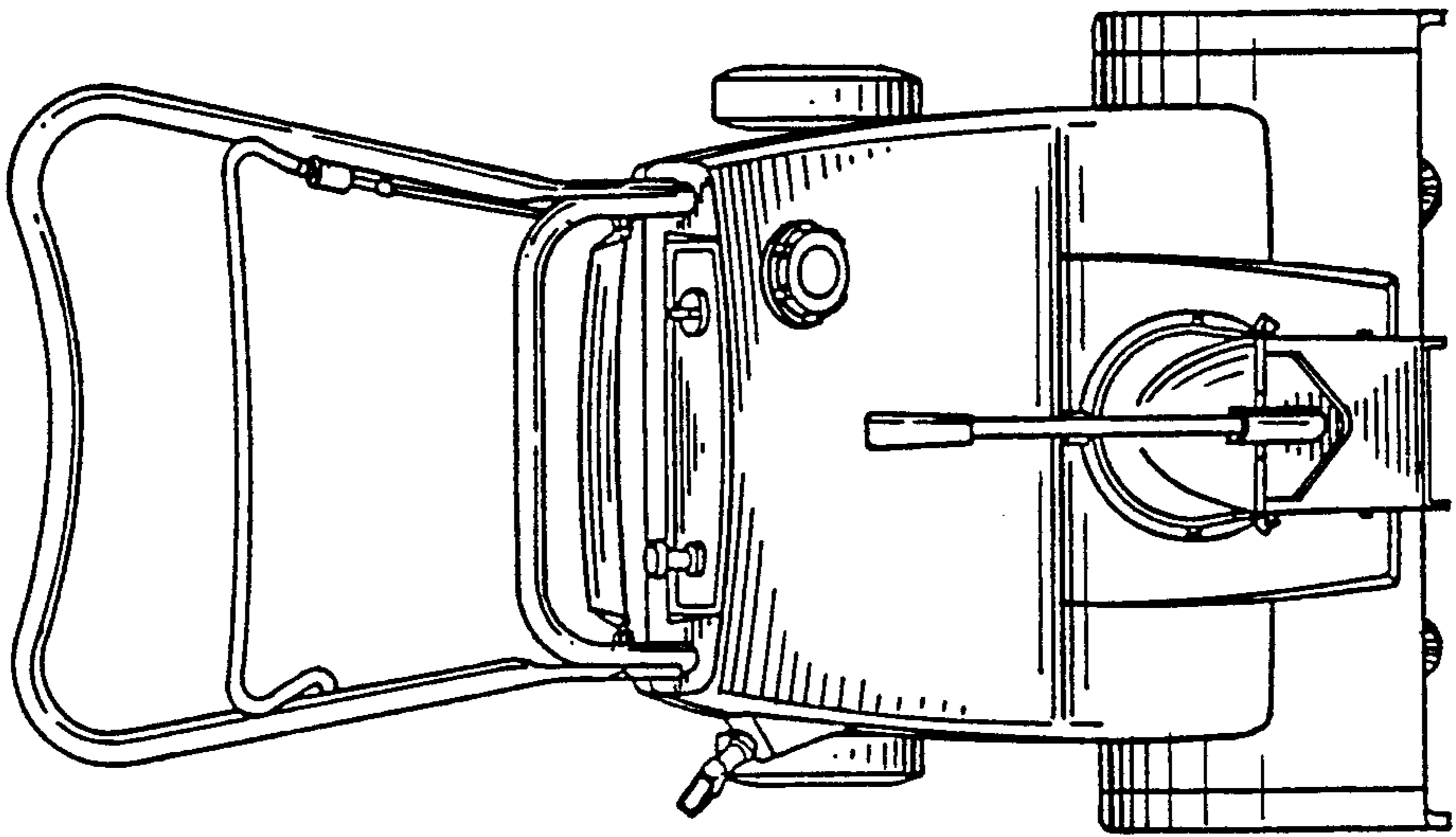


FIG. 5

FIG. 7

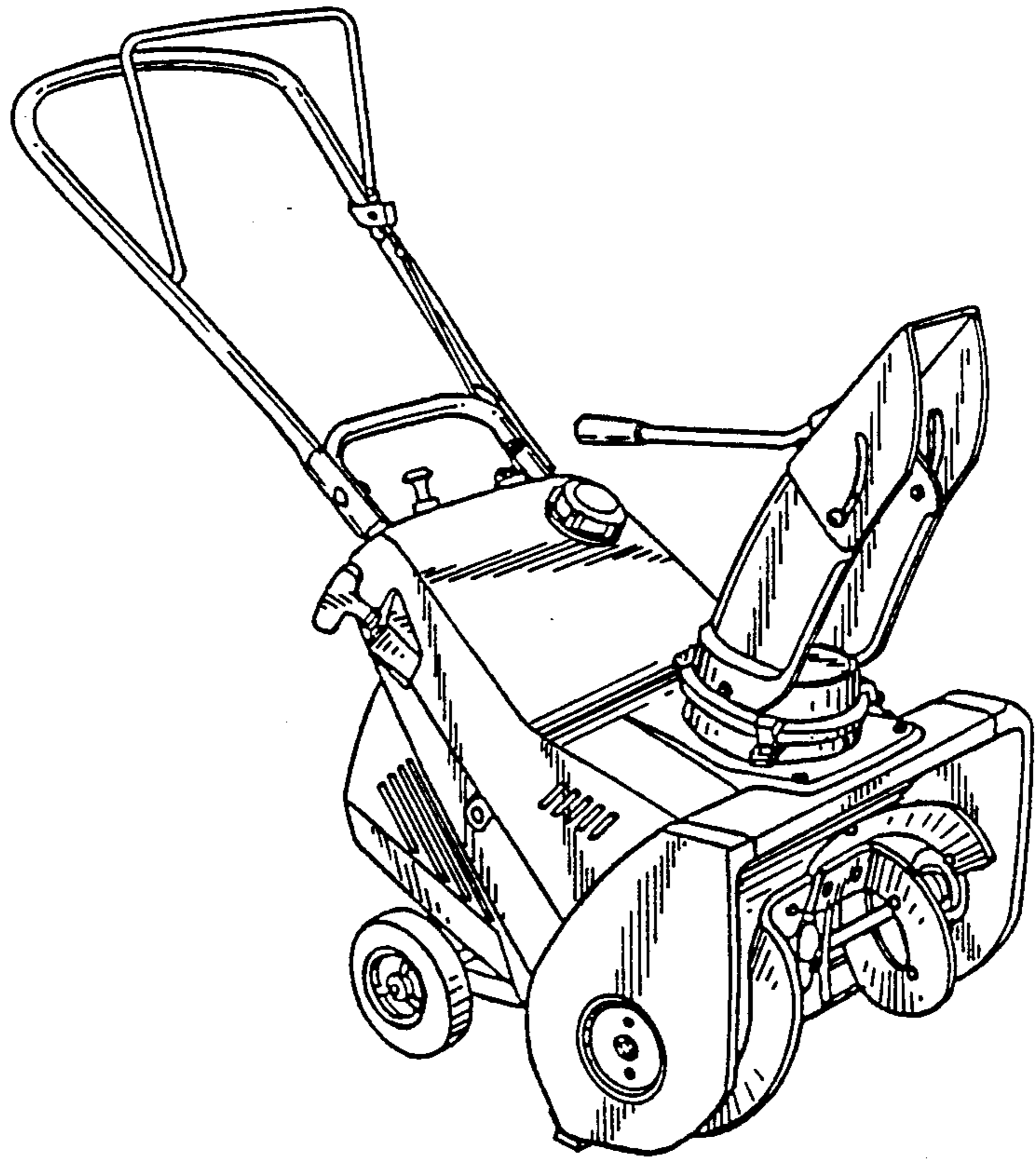


FIG. 8

