

United States Patent [19]

Tash et al.

[11] Patent Number: **Des. 314,773**

[45] Date of Patent: **** Feb. 19, 1991**

[54] **VACUUM WATER PUMP**

[76] Inventors: **George Tash, 5777 Balcom Canyon, Somis, Calif. 93021; Warren Hartmann, 337 Emma Ave., Ventura, Calif. 93003**

[**] Term: **14 Years**

[21] Appl. No.: **276,993**

[22] Filed: **Nov. 28, 1988**

[52] U.S. Cl. **D15/7**

[58] Field of Search **D15/5, 7-9.2; 417/398-404, 234, 424.1-424.2; 415/200**

[56] **References Cited**

U.S. PATENT DOCUMENTS

34,110 2/1901 Keating D15/5
D. 261,513 10/1981 Muller D15/5

D. 268,585 4/1983 Drakulic D15/5
D. 305,124 12/1989 Singhoff D15/7

Primary Examiner—Louis S. Zarfaz
Assistant Examiner—R. T. Seifert
Attorney, Agent, or Firm—John J. Posta, Jr.

[57] **CLAIM**

The ornamental design for a vacuum water pump, as shown and described.

DESCRIPTION

FIG. 1 is a perspective view of a vacuum water pump showing my new design;
FIG. 2 is a top plan view;
FIG. 3 is a bottom plan view;
FIG. 4 is a side elevational view;
FIG. 5 is an end elevational view; and
FIG. 6 is an end elevational view of the side opposite that of FIG. 5.

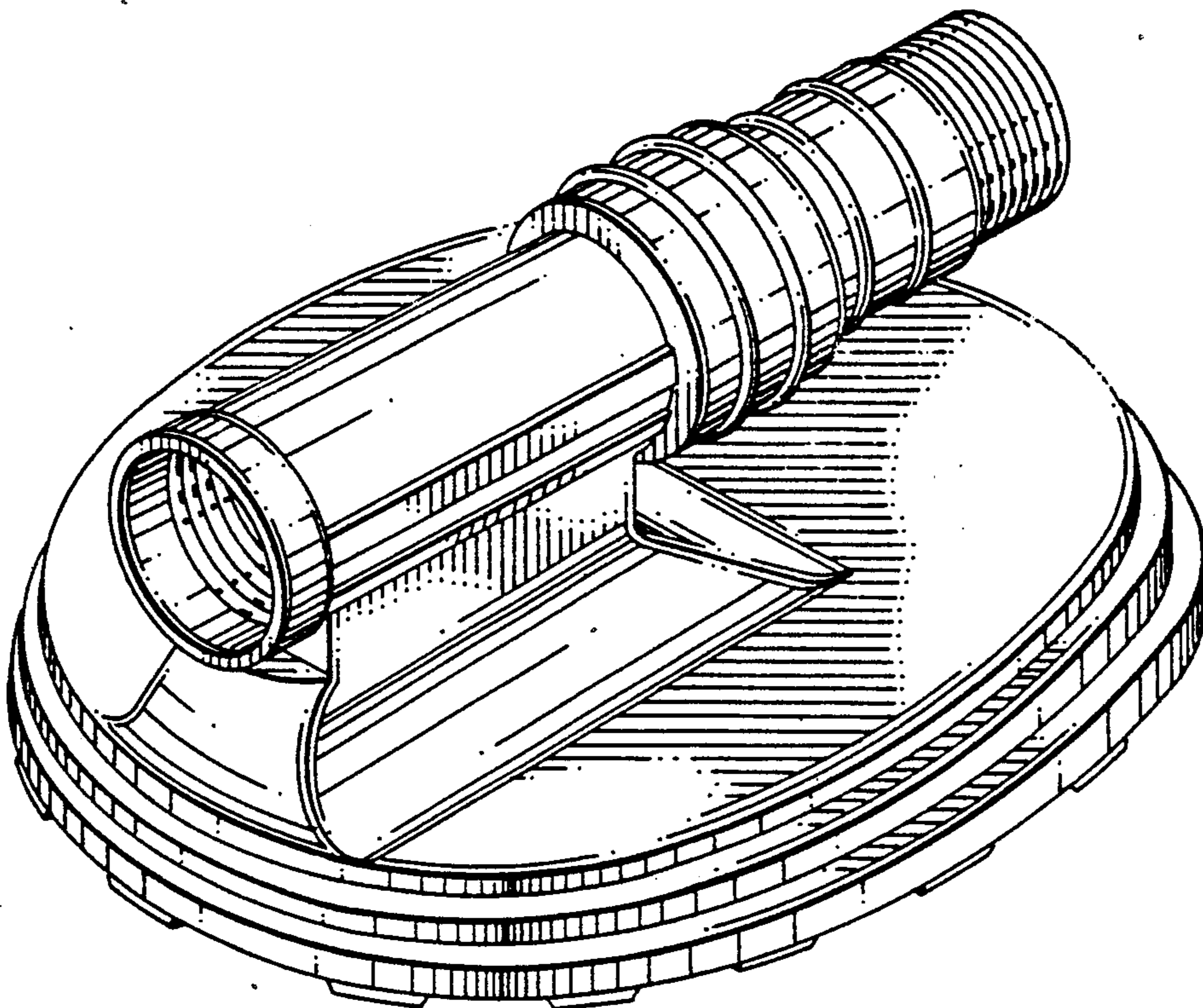


FIG. 1

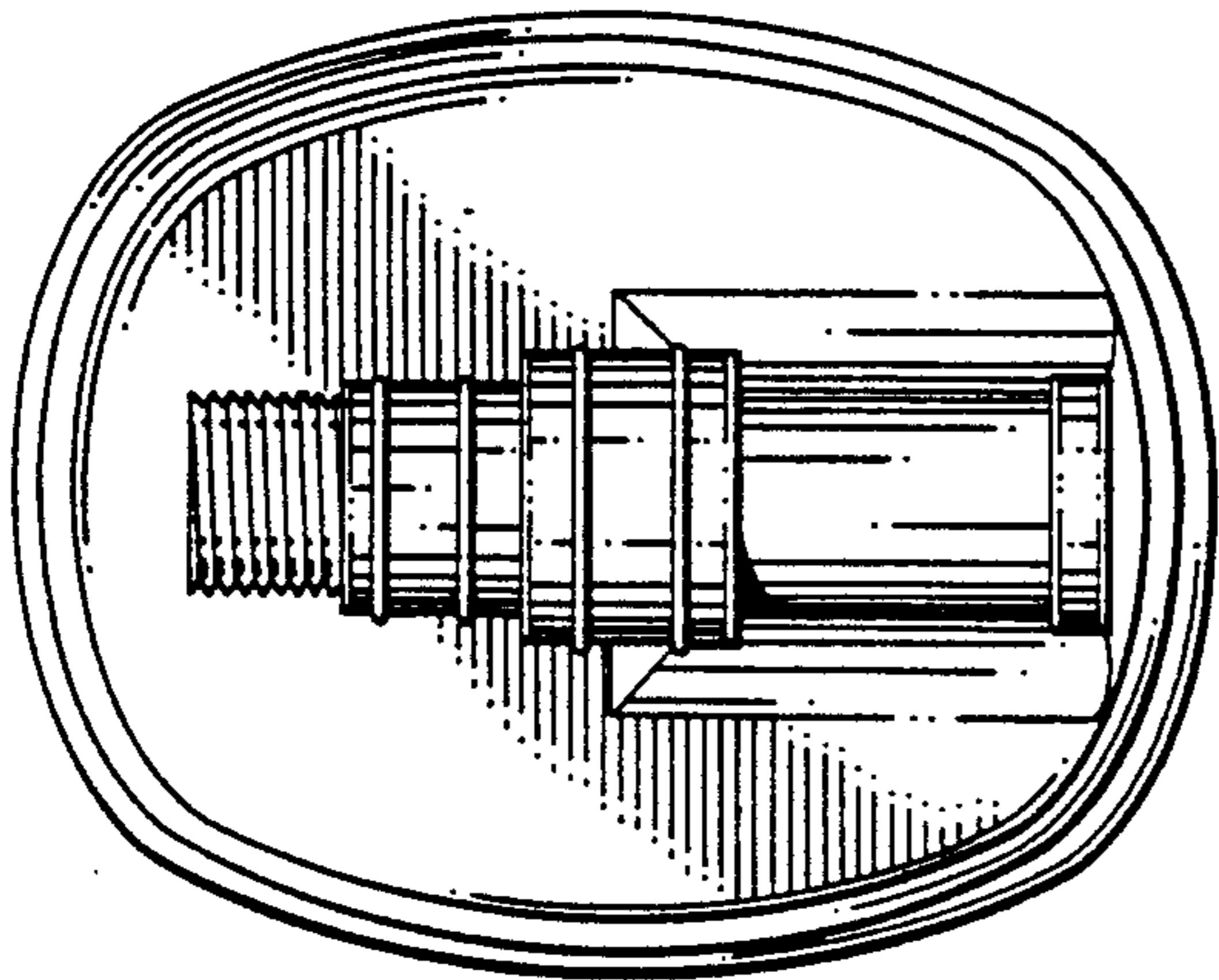
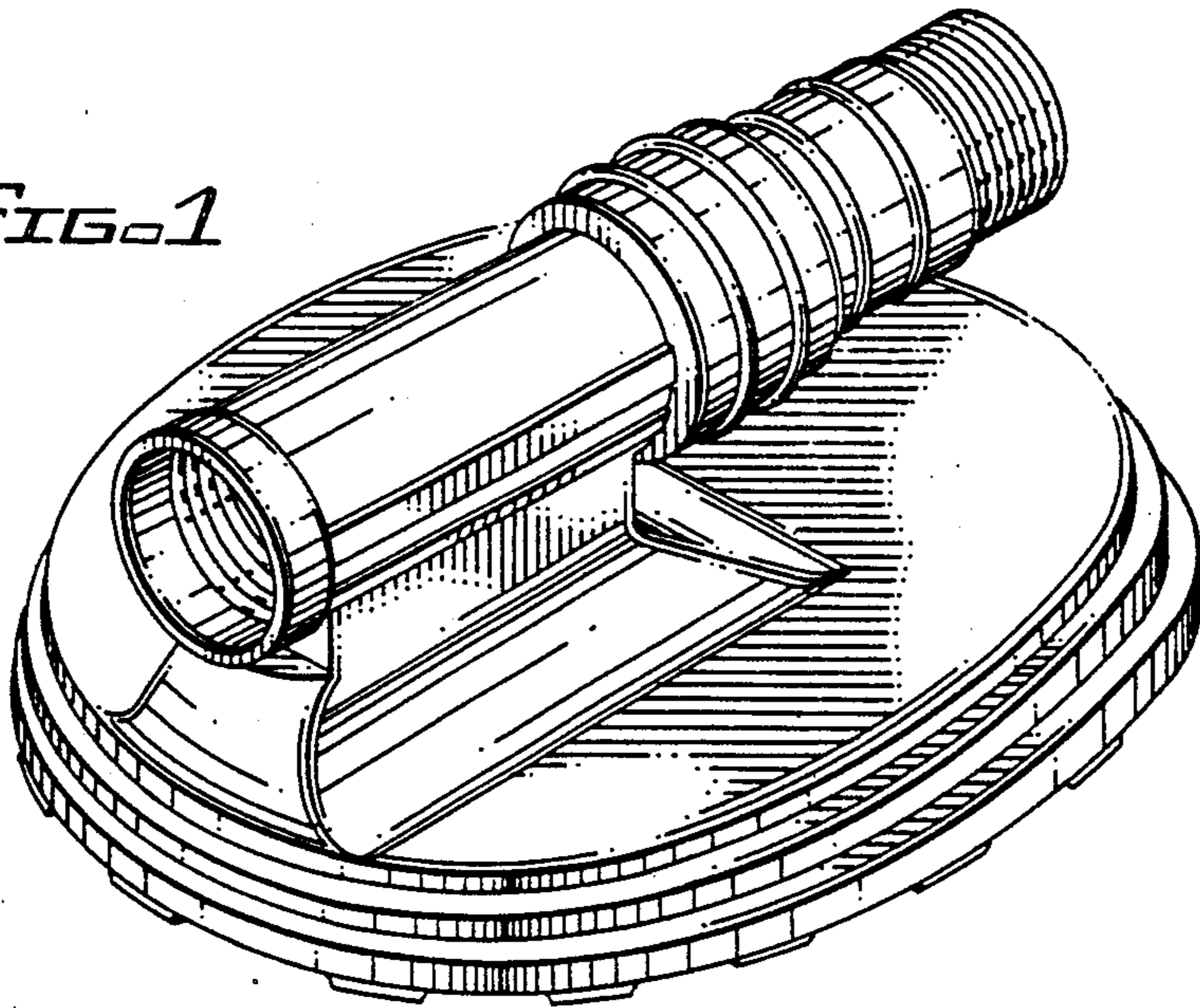


FIG. 2

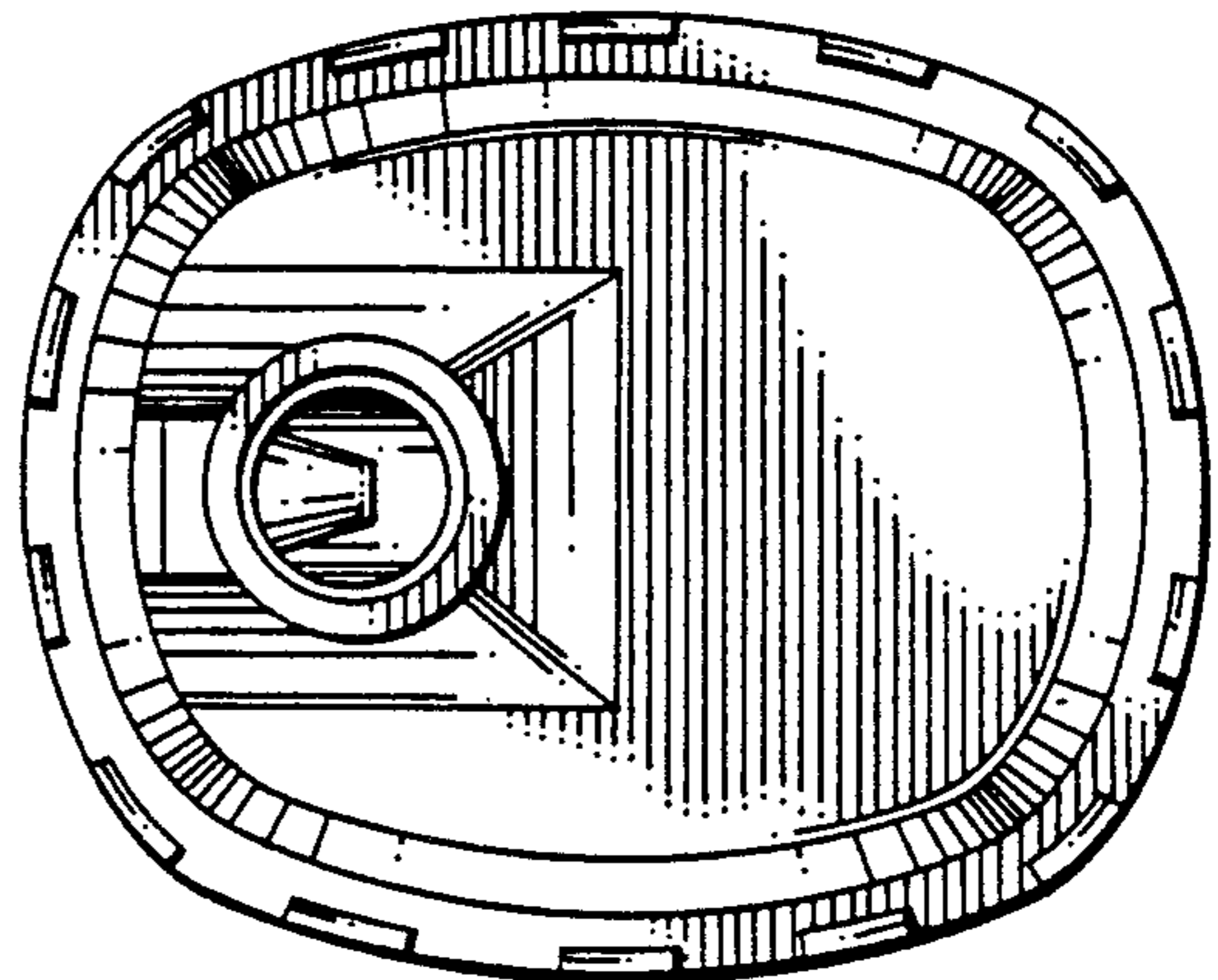


FIG. 3

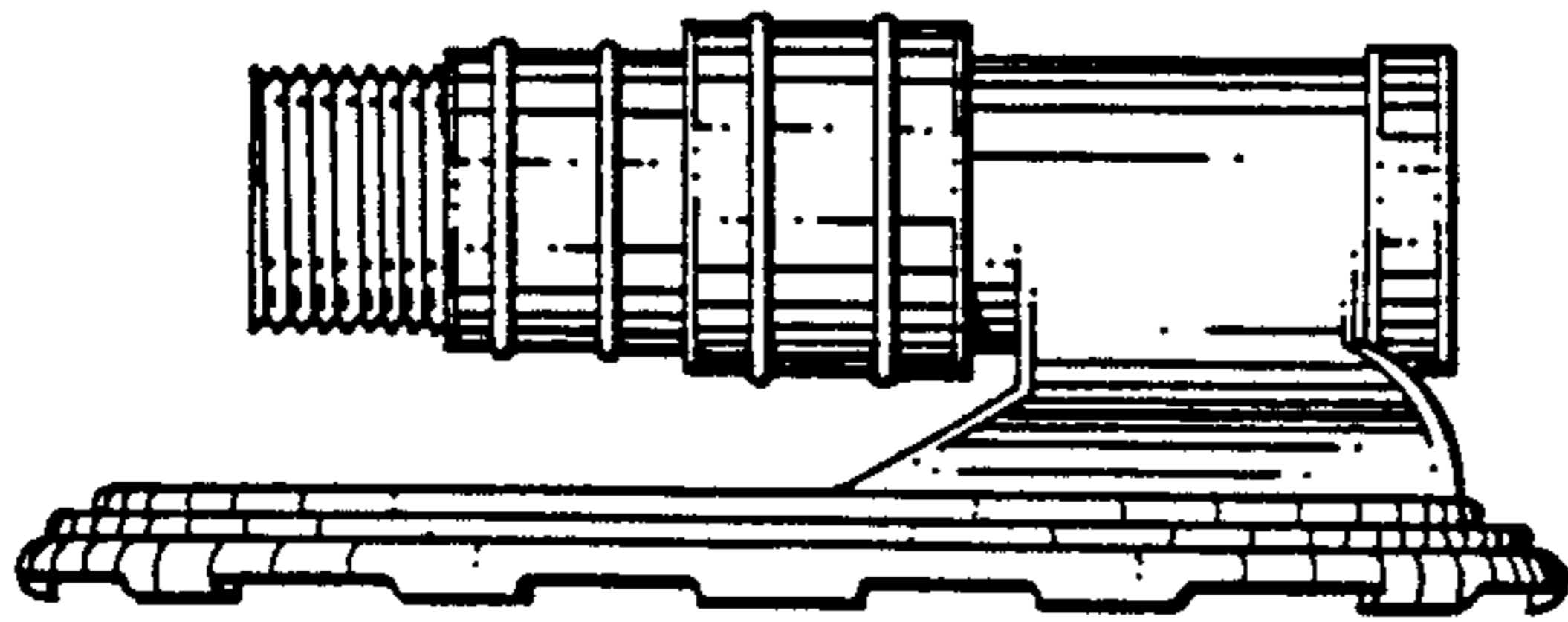


FIG. 4

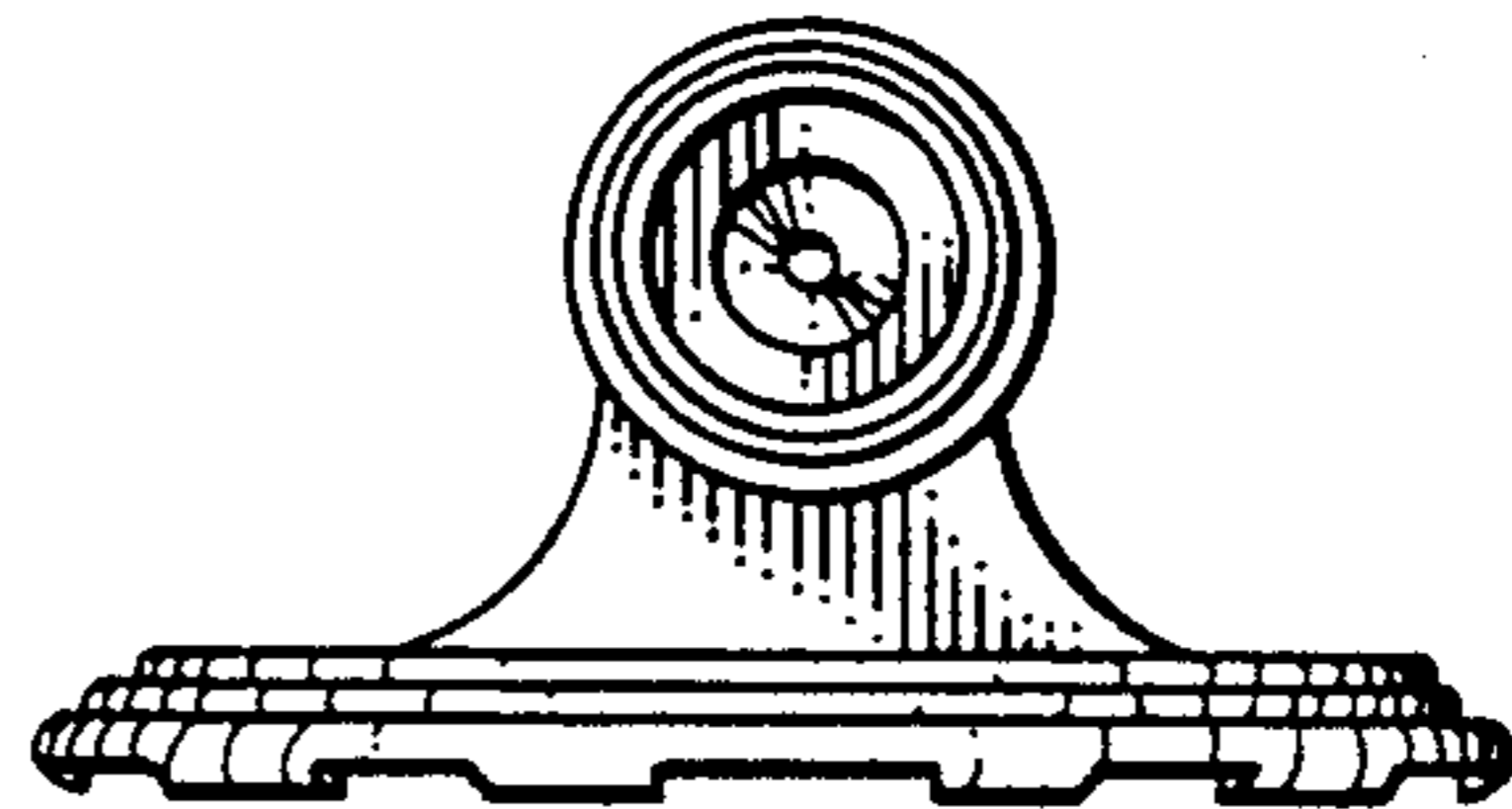


FIG. 5

FIG. 6

