

[54] PIVOTABLE TELEPHONE STAND

[75] Inventors: Balthasar Kirchner; Siegfried Schleicher, both of Eferding, Austria

[73] Assignee: Ernst Stadelmann Gesellschaft m.b.H., Eferding, Austria

[\*\*] Term: 14 Years

[21] Appl. No.: 382,807

[22] Filed: Jul. 19, 1989

[30] Foreign Application Priority Data

Jan. 20, 1989 [AT] Austria ..... 27.175

Jan. 20, 1989 [AT] Austria ..... 27.176

[52] U.S. Cl. .... D14/251

[58] Field of Search ..... D14/138, 251, 142, 253, D14/150, 147; 379/440, 454, 446, 455, 426; 248/309.1; D34/31, 34

[56] References Cited

U.S. PATENT DOCUMENTS

D. 216,432 1/1970 Grosz ..... D34/31

D. 298,899 12/1988 Corbett ..... D34/31

D. 308,205 5/1990 Tholberg ..... D14/251 X

D. 309,307 7/1990 Sigurdson ..... D14/251  
858,118 5/1907 Richey ..... 248/309.1  
1,360,180 11/1920 Congdon ..... D14/251 X  
2,535,330 12/1950 Stone ..... D14/251 X  
3,320,366 5/1967 Plummer ..... D14/240 X  
3,345,470 10/1967 Hoffman ..... 379/454

FOREIGN PATENT DOCUMENTS

586547 11/1959 Canada ..... 379/446

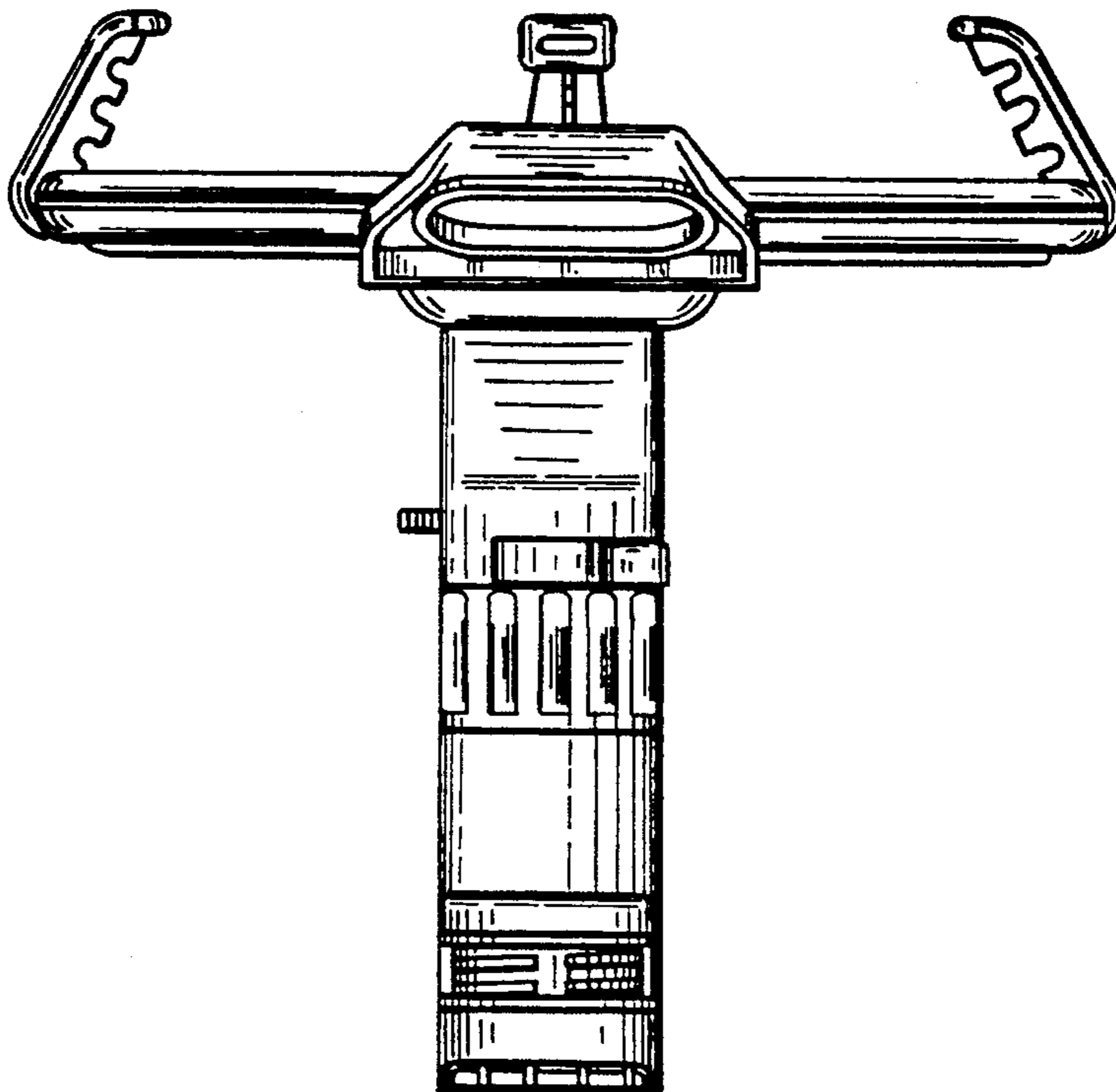
Primary Examiner—Horace B. Fay, Jr.  
Attorney, Agent, or Firm—Herbert Dubno; Ronald Lianides

[57] CLAIM

The ornamental design for a pivotable telephone stand, as shown.

DESCRIPTION

FIG. 1 is a front elevational view of the pivotable telephone stand showing my new design; FIG. 2 is a left-side elevational view thereof; FIG. 3 is a right-side elevational view thereof; FIG. 4 is a rear elevational view thereof; FIG. 5 is a top plan view thereof; and FIG. 6 is a bottom plan view thereof.



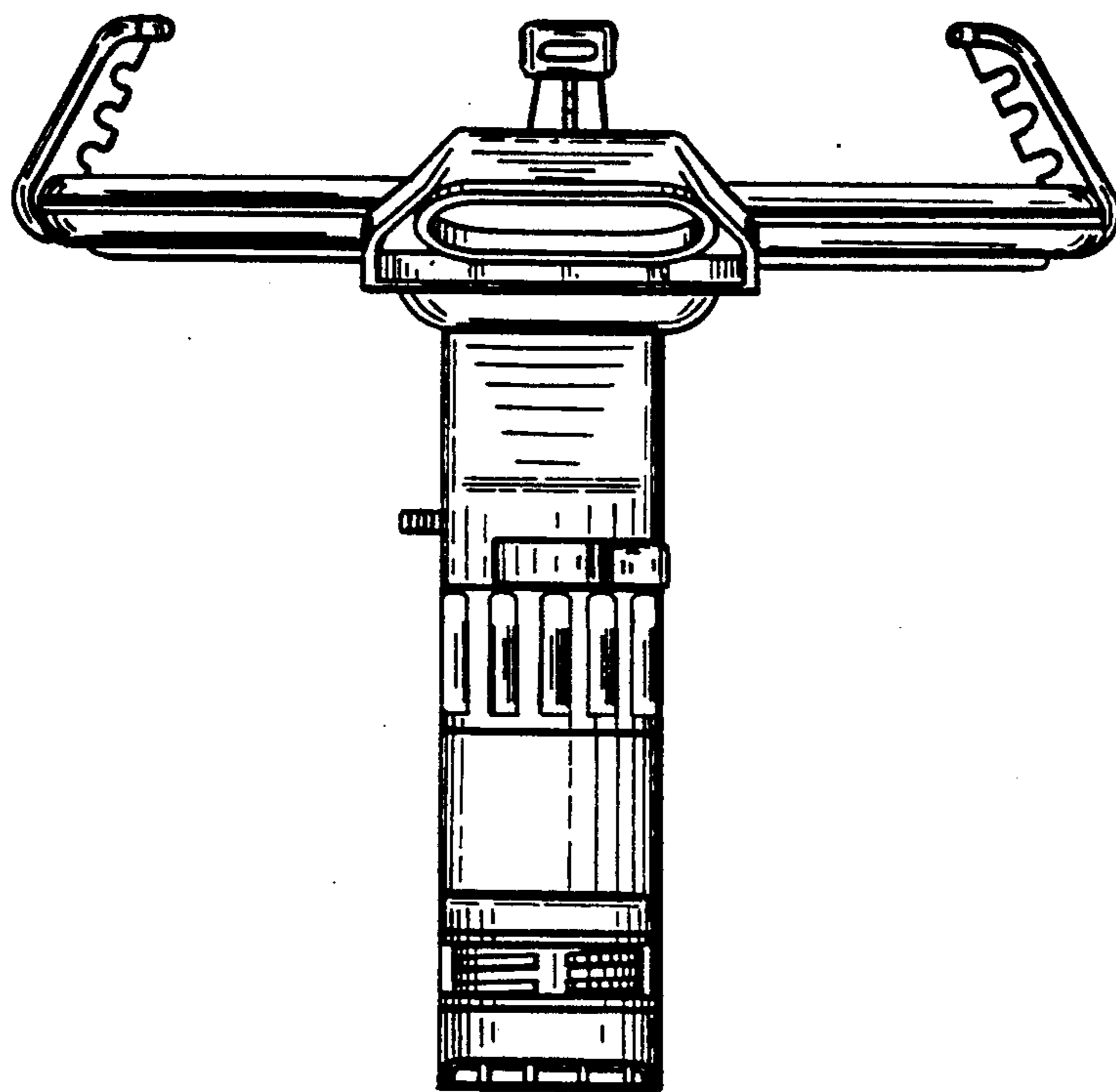


FIG.1

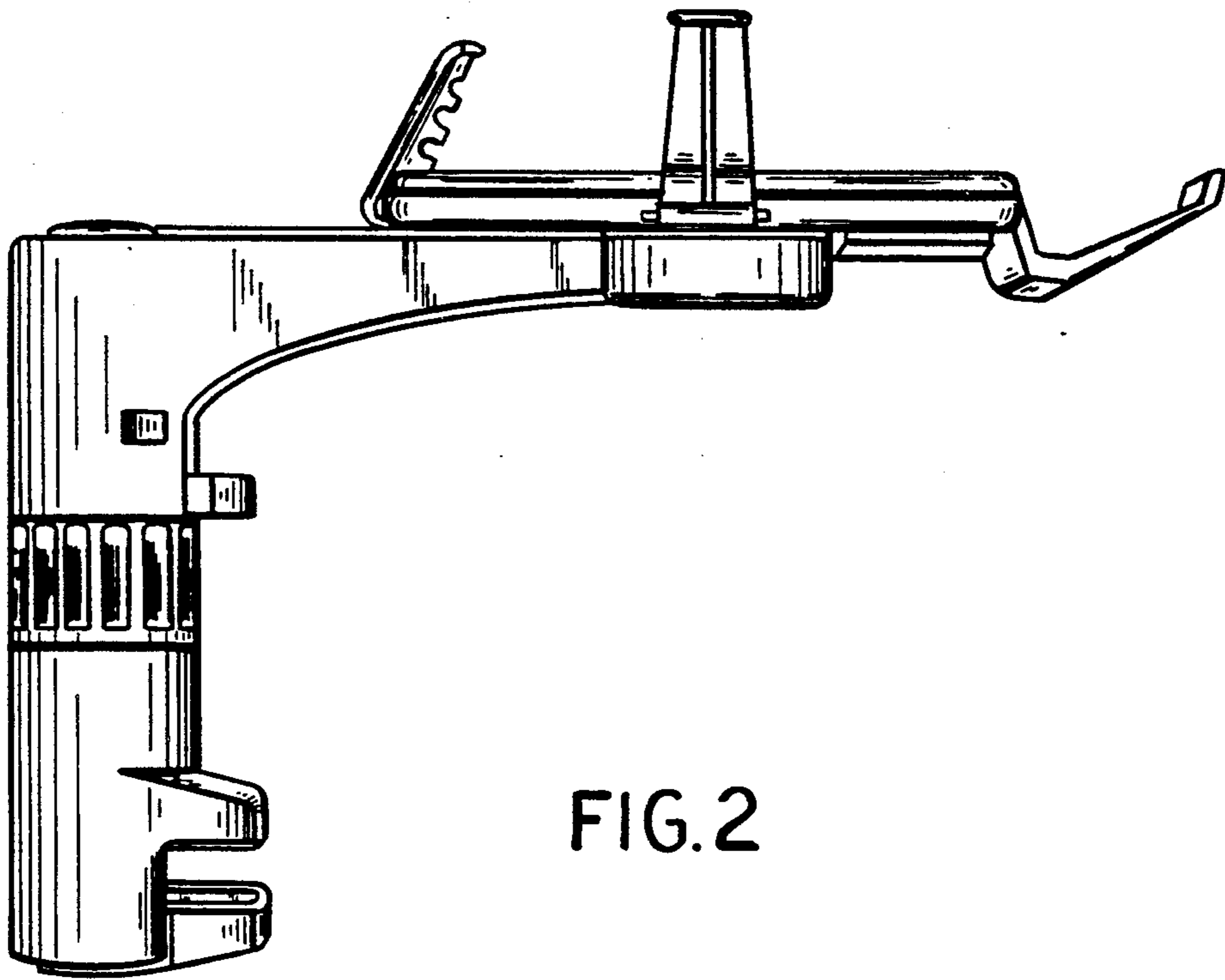


FIG. 2

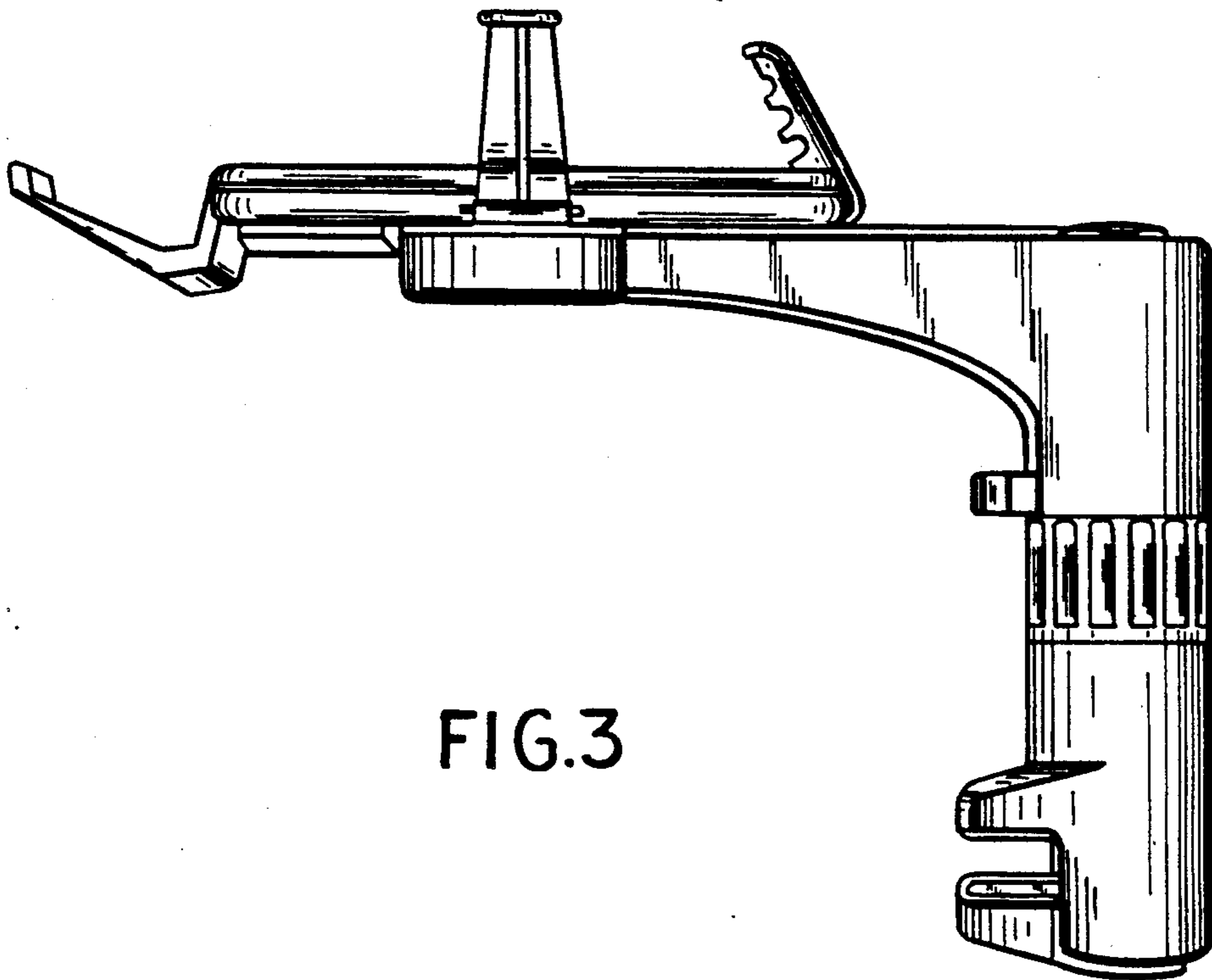


FIG. 3

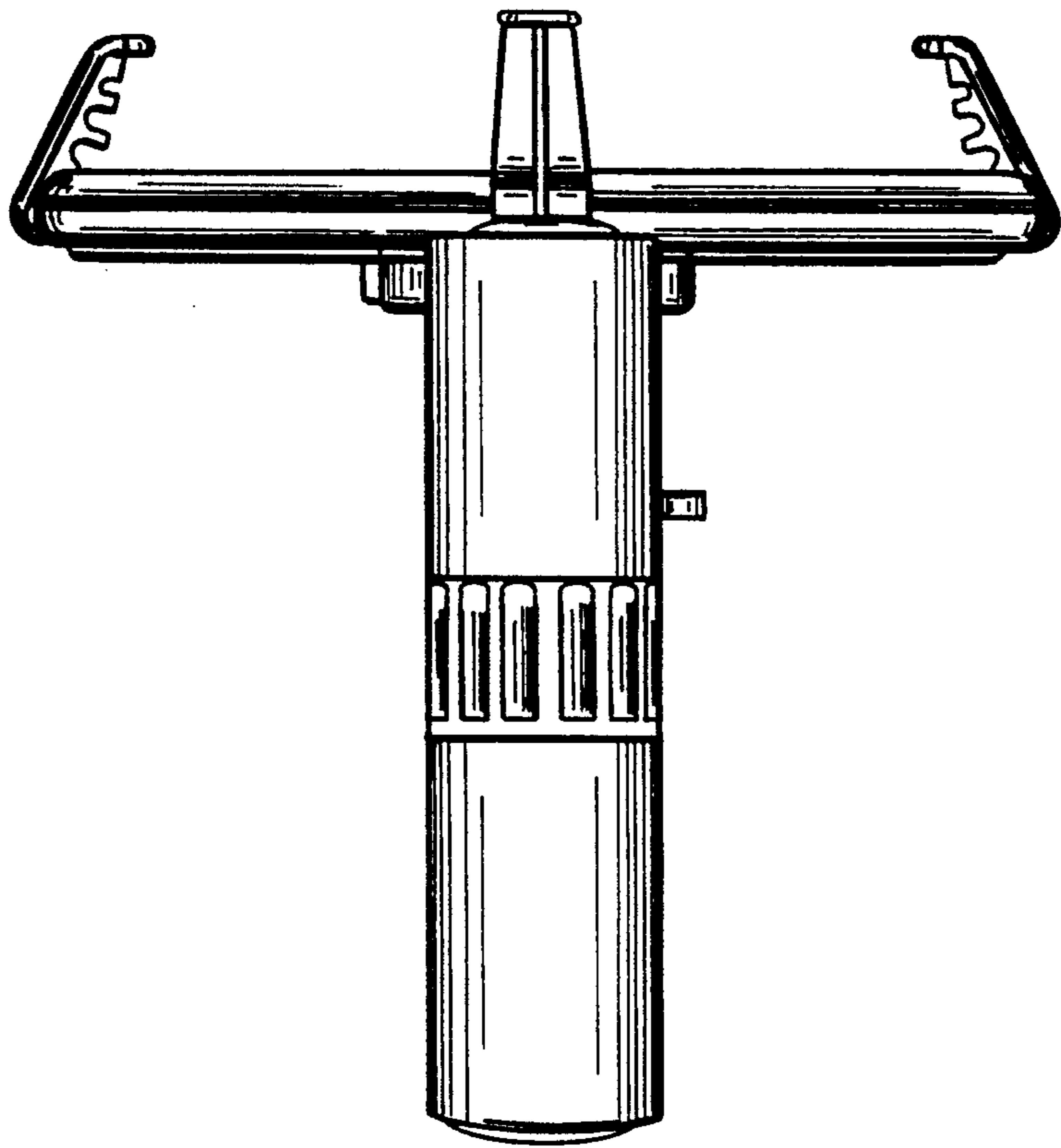


FIG. 4

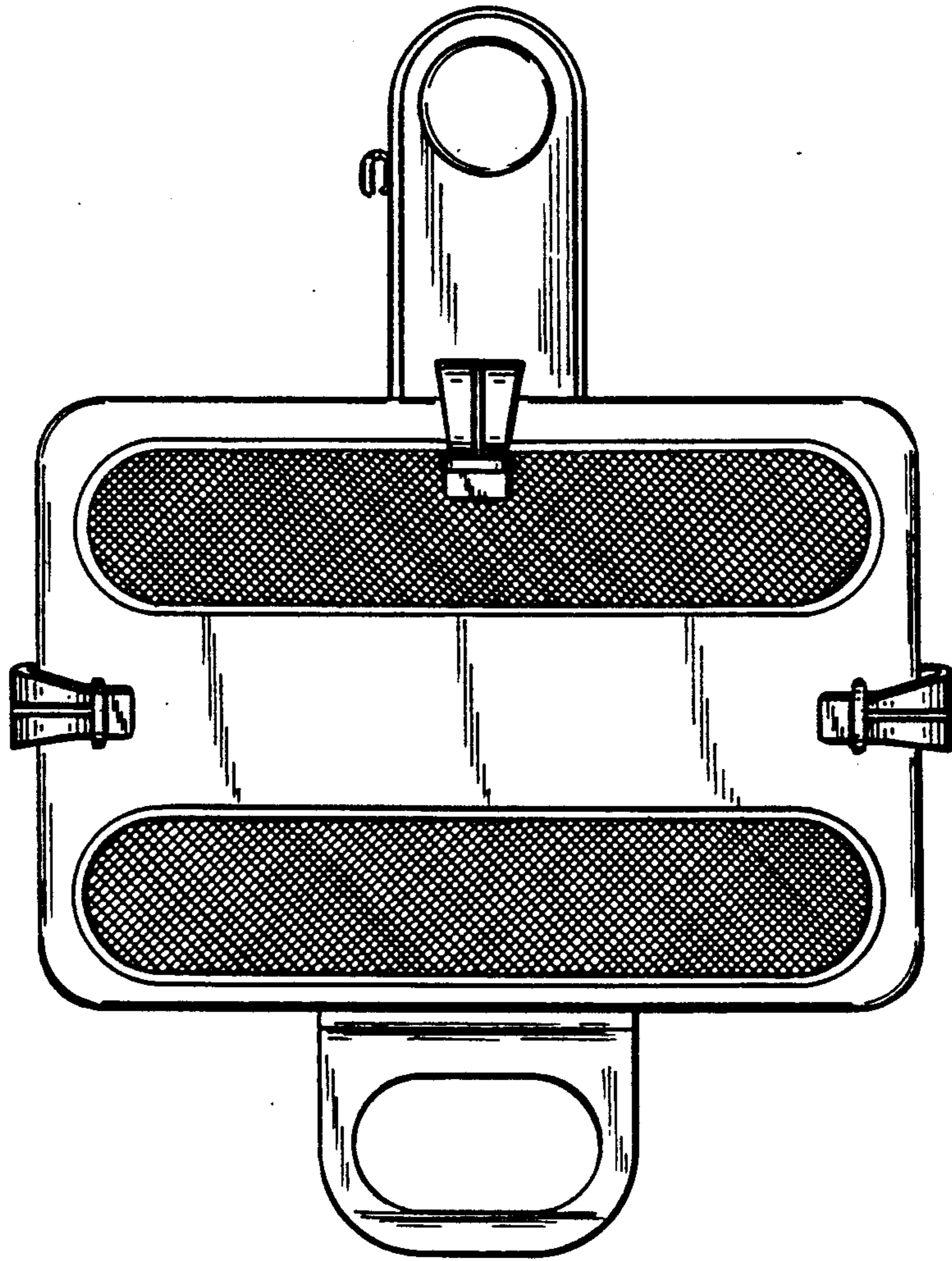


FIG.5

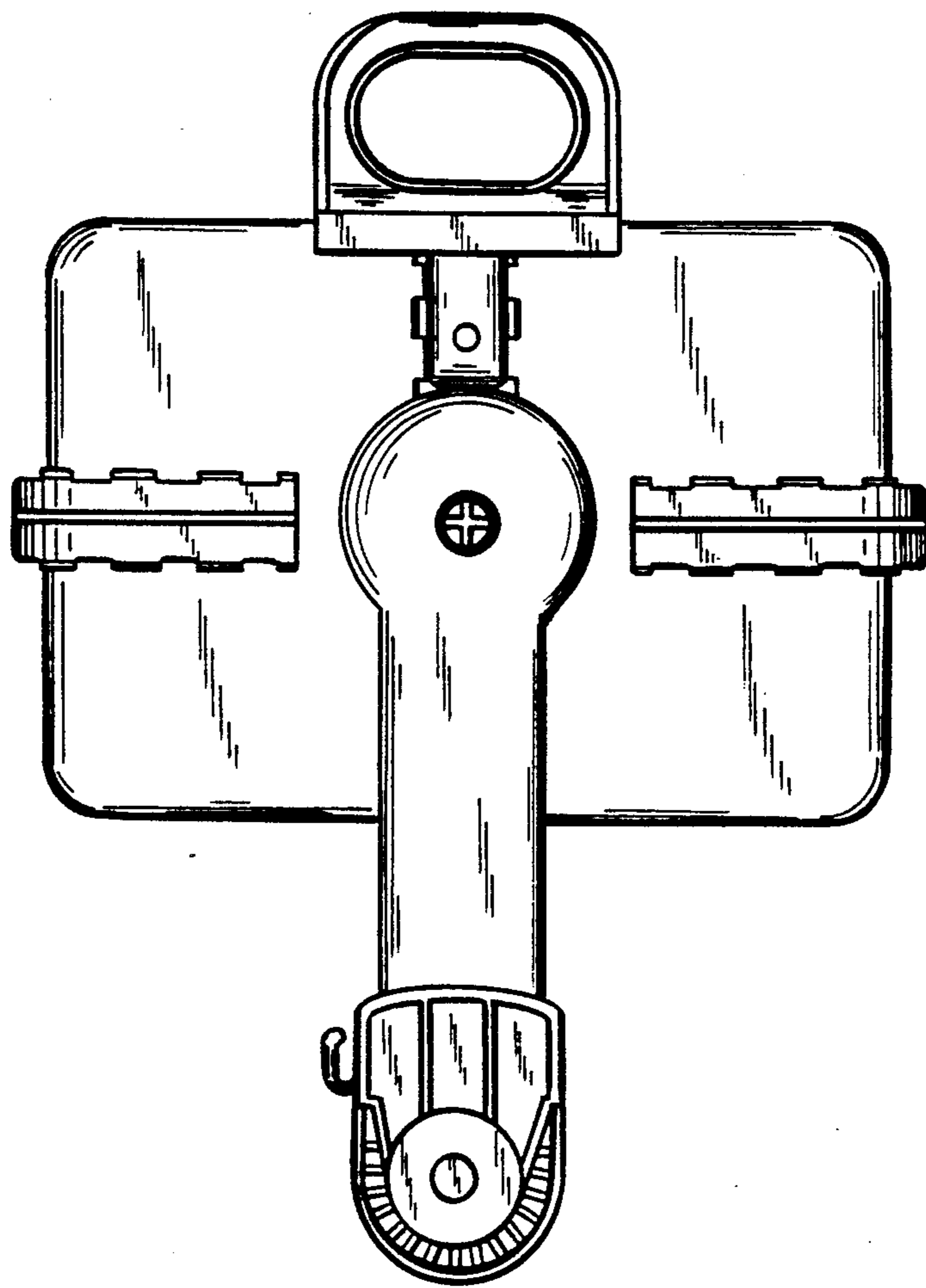


FIG. 6