

[54] VOICE TRANSLATOR

4,809,078 2/1989 Yabe et al. D14/126

[75] Inventors: Stephen A. Rondel, Redmond; William C. Quann, Renton; Kevin L. Falk, Mercer Island; Wallace A. Petola, Redmond; James R. Smith, Kirkland, all of Wash.

[73] Assignee: Advanced Products and Technologies, Inc., Redmond, Wash.

[**] Term: 14 Years

[21] Appl. No.: 141,885

[22] Filed: Jan. 8, 1988

[52] U.S. Cl. D14/124

[58] Field of Search D14/124, 137, 155, 158, D14/126, 159, 160, 163, 165, 169, 191, 217, 299; D16/202; 434/319, 320, 321

[56] References Cited

U.S. PATENT DOCUMENTS

- D. 290,120 6/1987 Mohri D16/202
- D. 299,451 1/1989 Ikeda D14/158
- D. 303,257 9/1989 Kawata et al. D14/126

OTHER PUBLICATIONS

Home Furnishings Daily, 9/14/87, p. 119, Unisonic Answering Machine.

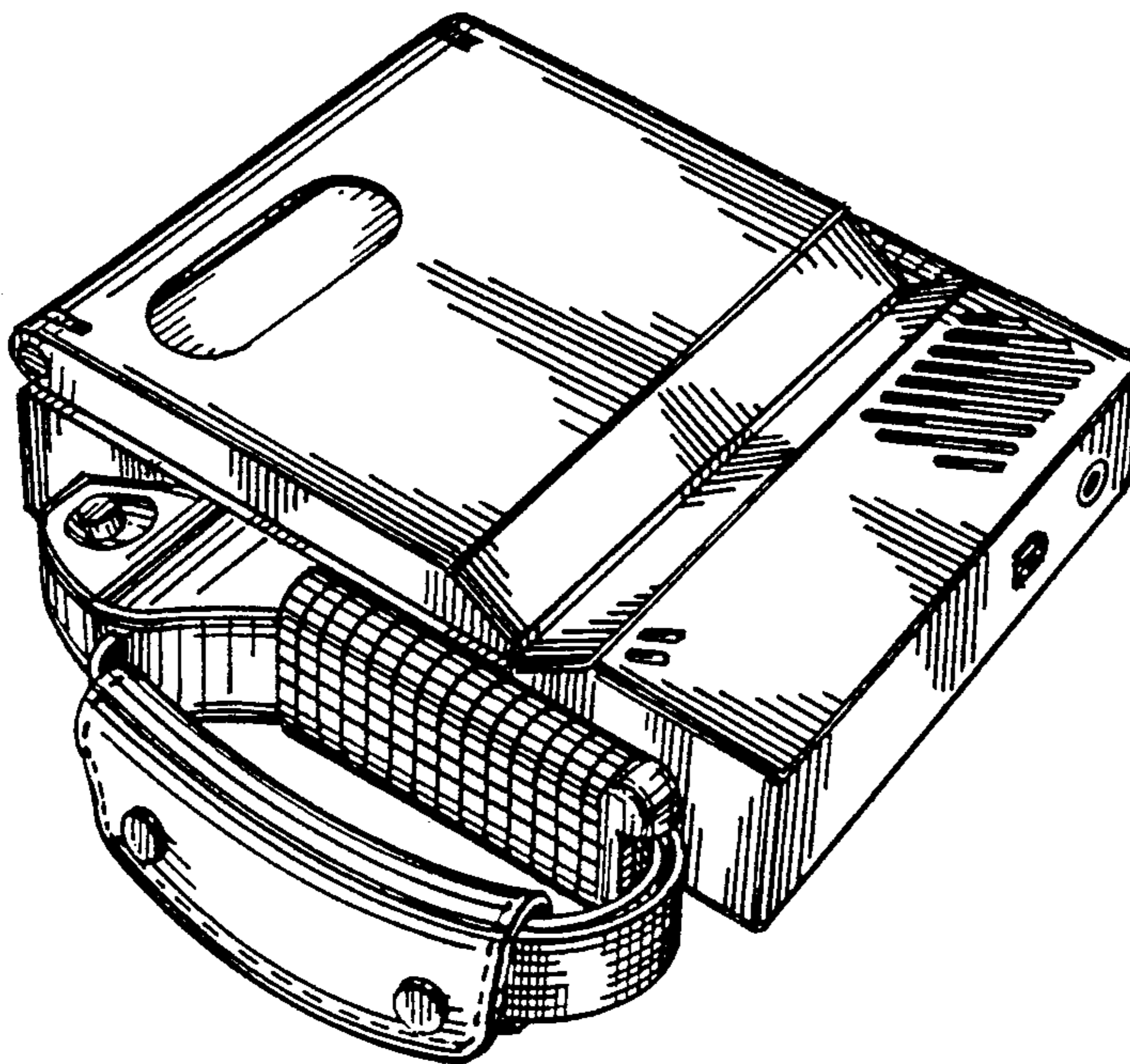
Primary Examiner—Melvin B. Feifer
Assistant Examiner—Philip Hyder
Attorney, Agent, or Firm—Christensen, O'Connor, Johnson & Kindness

[57] CLAIM

The ornamental design for a voice translator, as shown and described.

DESCRIPTION

FIG. 1 is a top and front perspective of a voice translator showing my new design; FIG. 2 is a top plan view thereof; FIG. 3 is a front elevation thereof; FIG. 4 is a left side elevation thereof; FIG. 5 is a right side elevation thereof; FIG. 6 is a rear elevation thereof; FIG. 7 is a bottom plan view thereof; and FIG. 8 is a top and front perspective thereto, with a pivotable cover in raised position.



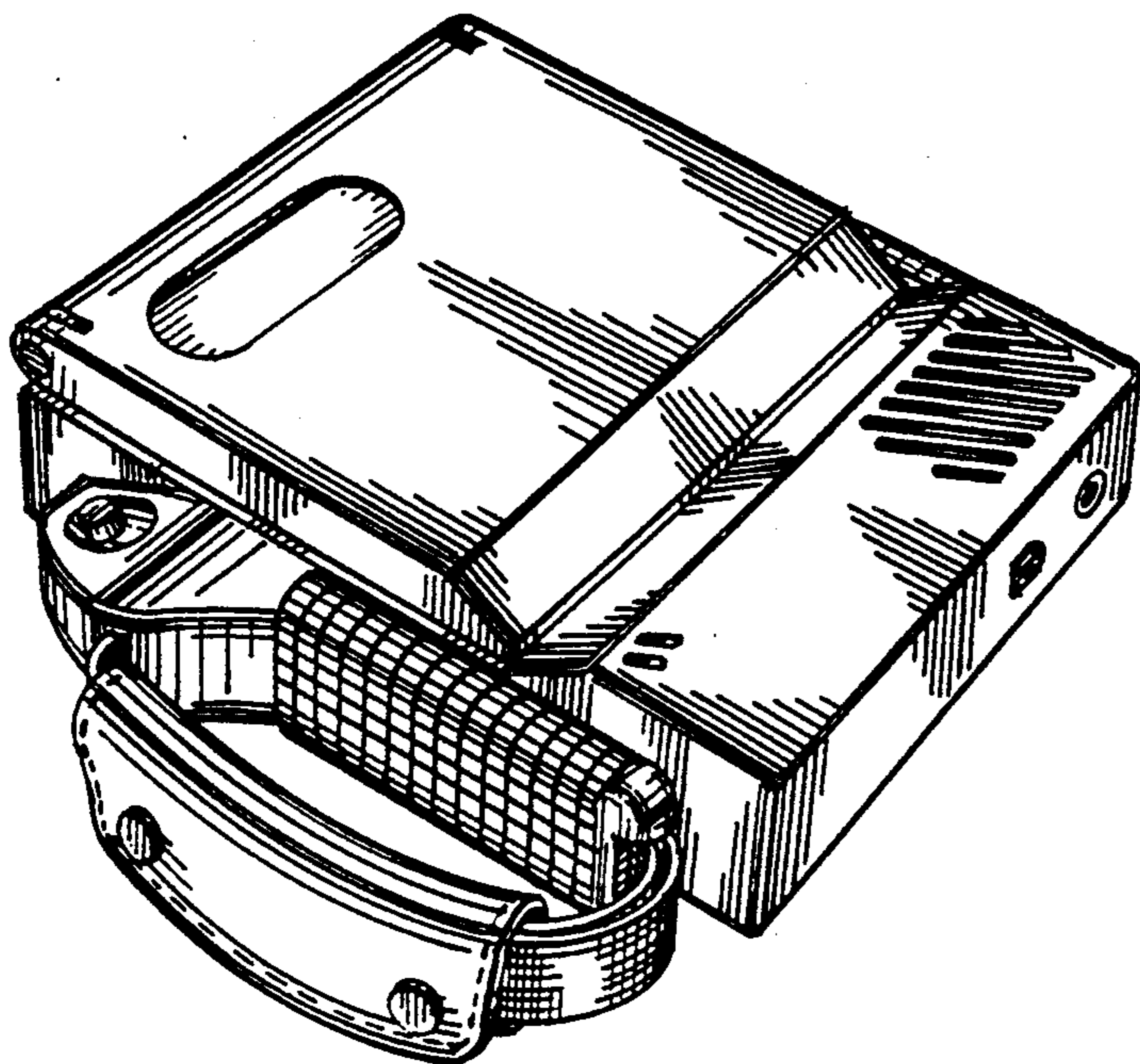


Fig. 1.

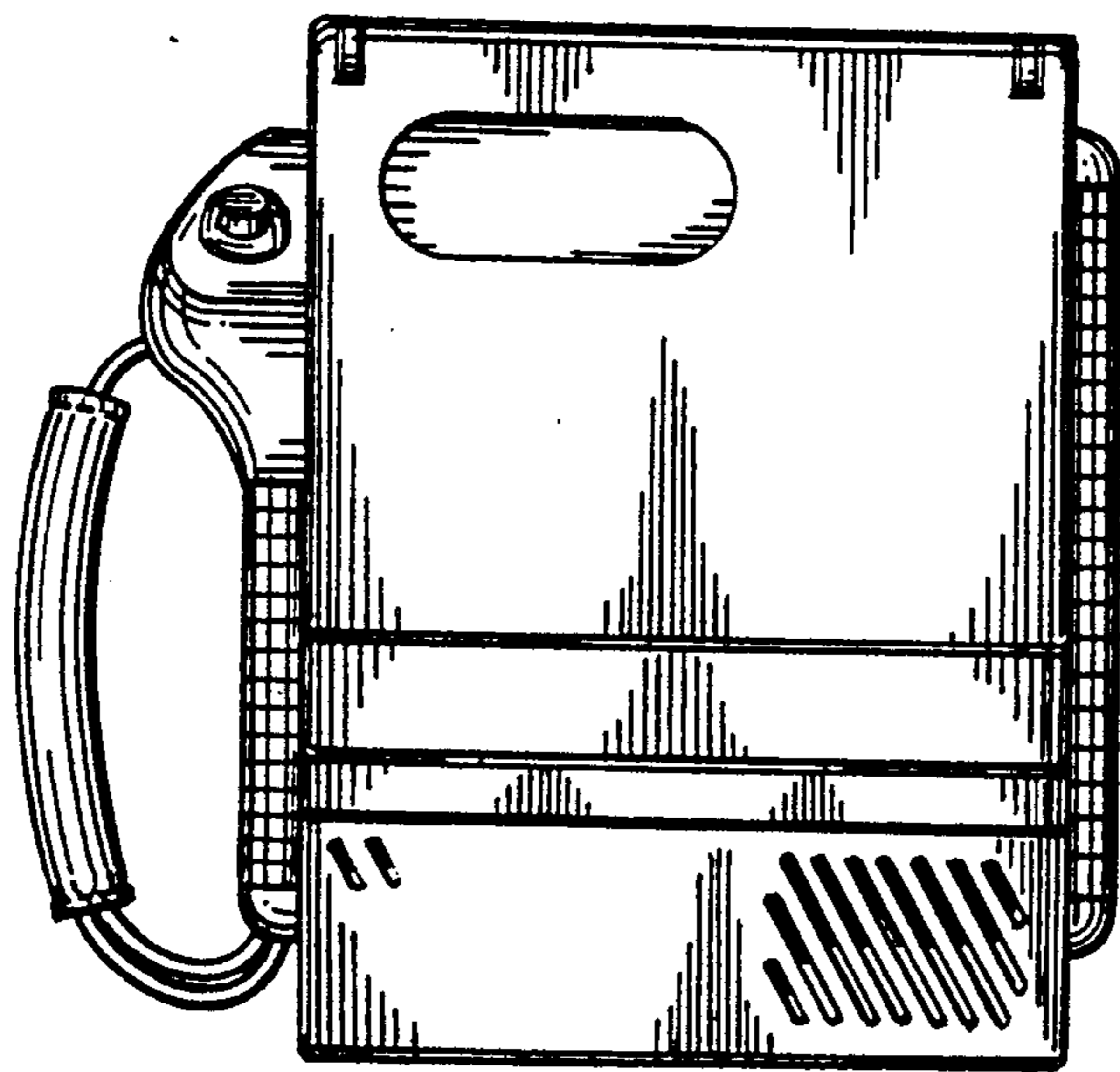


Fig. 2.

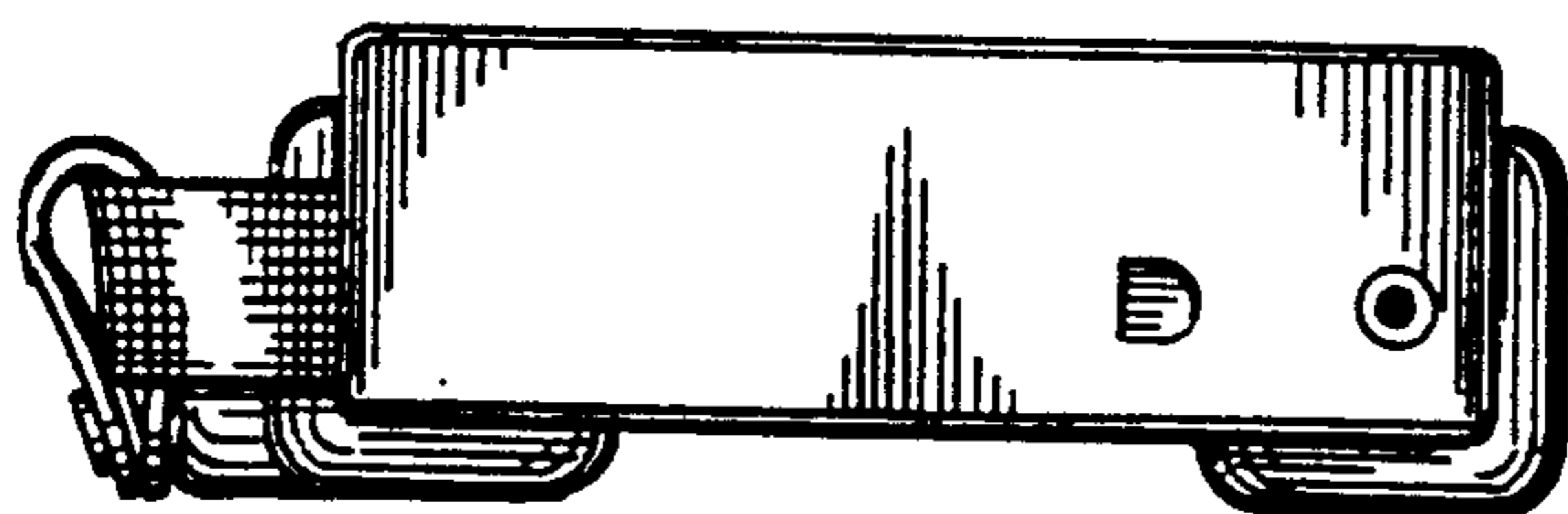


Fig. 3.

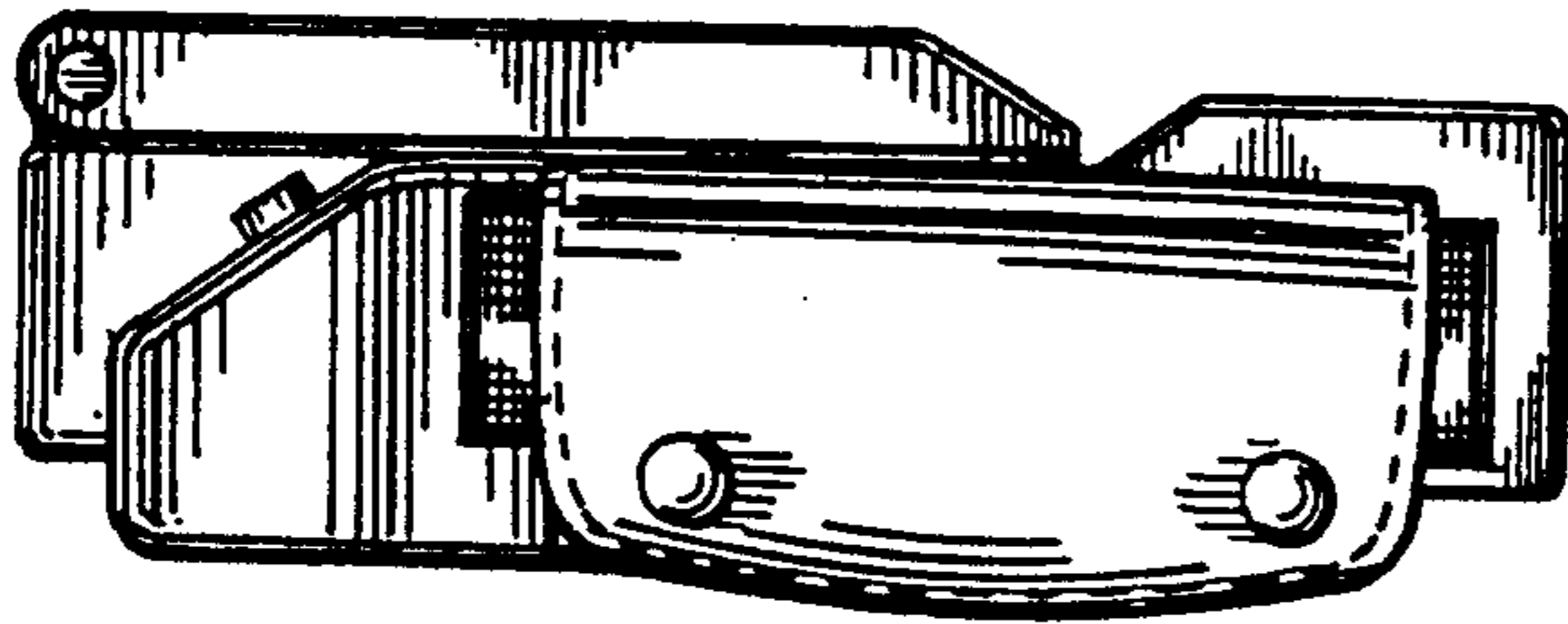


Fig. 4.

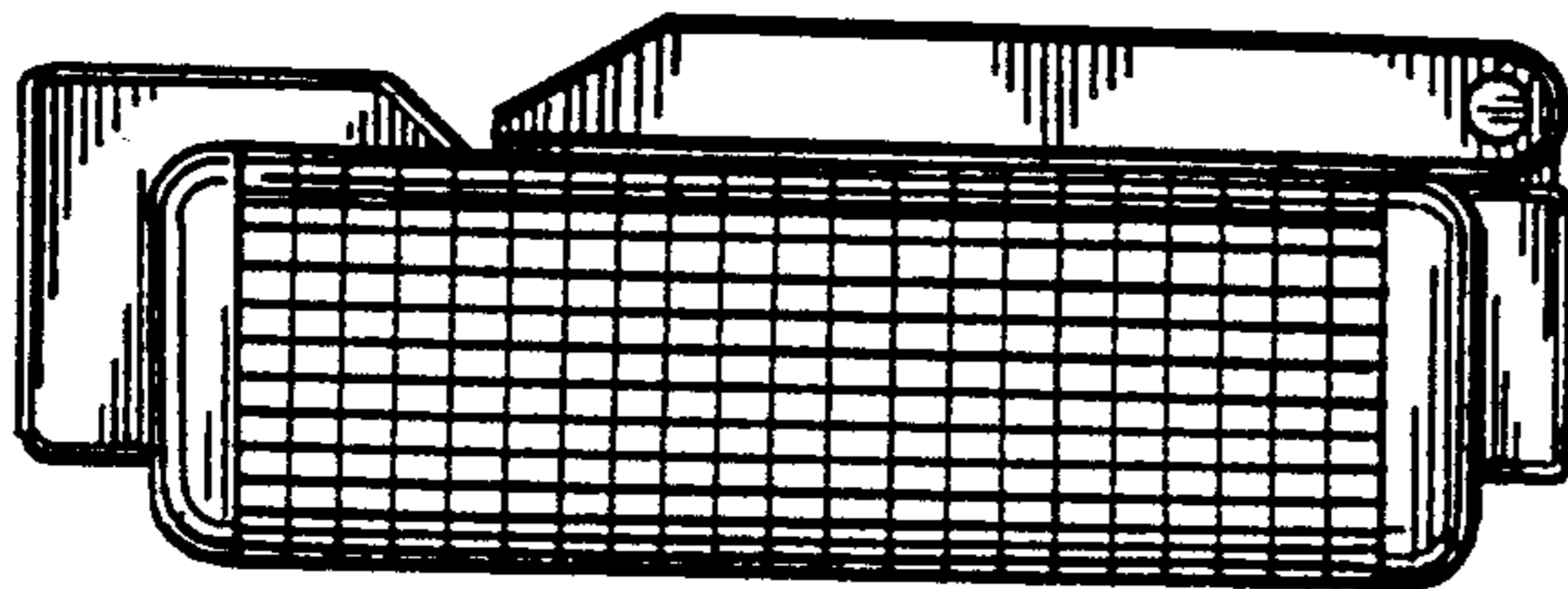


Fig. 5.



Fig. 6.

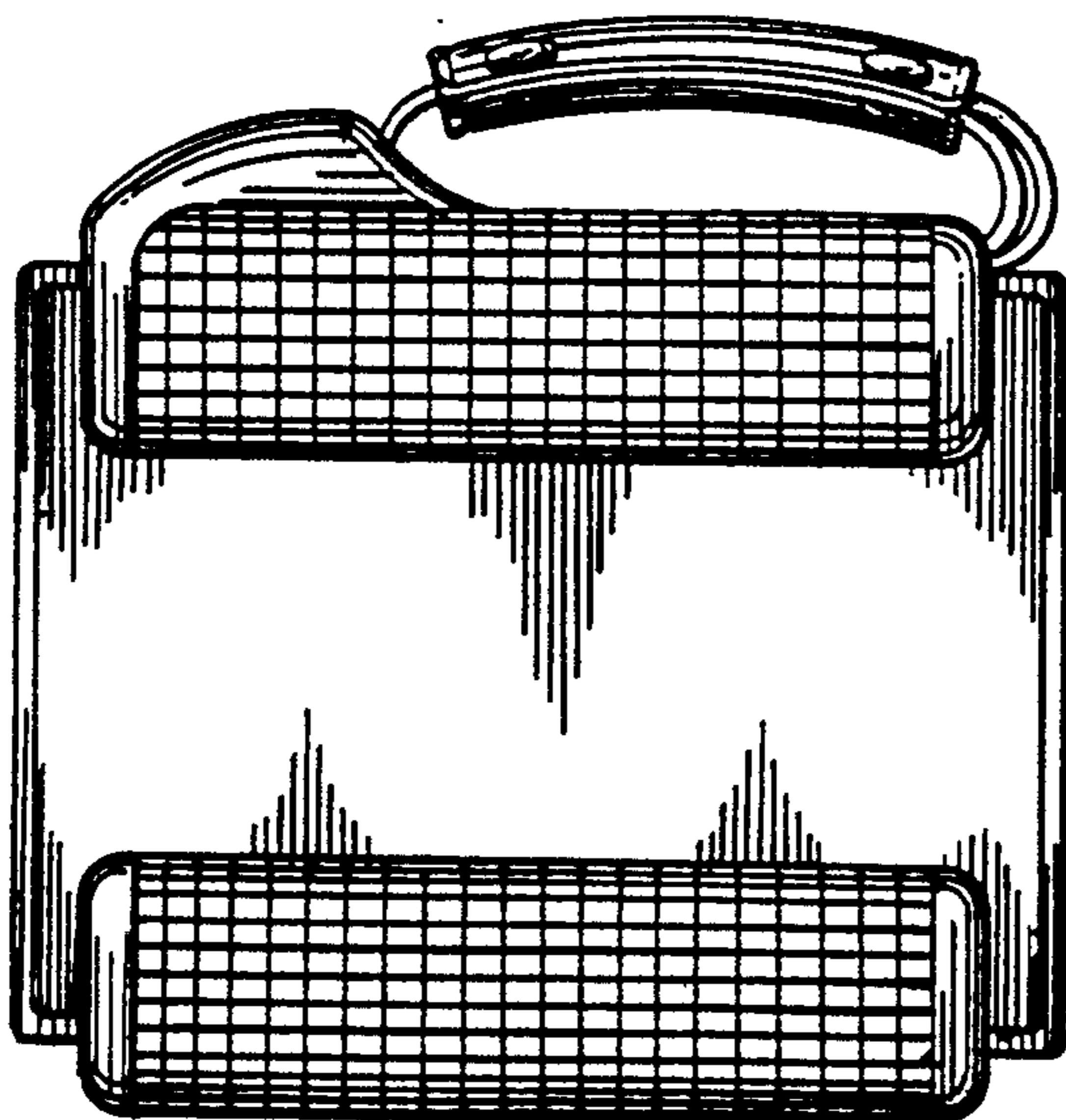


Fig. 7.

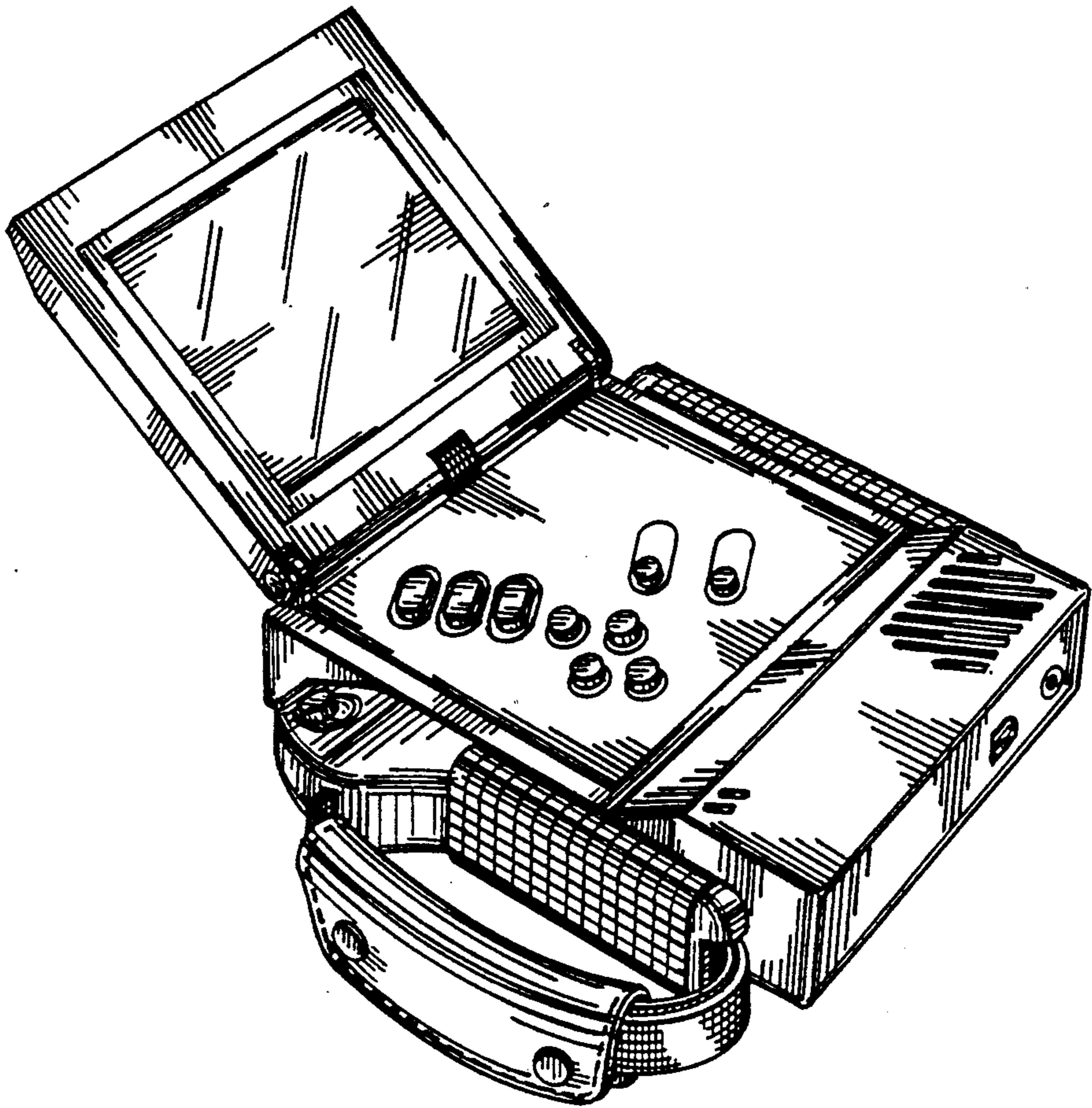


Fig. 8.