

[54] DESIGN FOR AN INTERRUPTER UNIT FOR A SWITCH ASSEMBLY

[75] Inventors: Edward J. Rogers, Chicago; Leonard V. Chabala, Maywood, both of Ill.

[73] Assignee: S&C Electric Company, Chicago, Ill.

[\*\*] Term: 14 Years

[21] Appl. No.: 273,433

[22] Filed: Nov. 18, 1988

[52] U.S. Cl. .... D13/158

[58] Field of Search ..... D13/32, 34; 200/48 A, 200/48 P, 48 KB, 48 SB, 144 R, 146 R

[56] References Cited

U.S. PATENT DOCUMENTS

3,508,178 4/1970 Chabala et al. .... 200/48 R  
3,909,570 9/1975 Harner et al. .... 200/146 R

FOREIGN PATENT DOCUMENTS

675244 12/1963 Canada ..... 200/48 R

OTHER PUBLICATIONS

Japanese Patent Office Design Gazette H1-512, Jul. 11, 1989, Registration No. 629050, (2 pp.).

Takamatso Electric Works Bulletin No. 210-83A, (2 pp.).

Primary Examiner—James M. Gandy

Assistant Examiner—Joel Sincavage

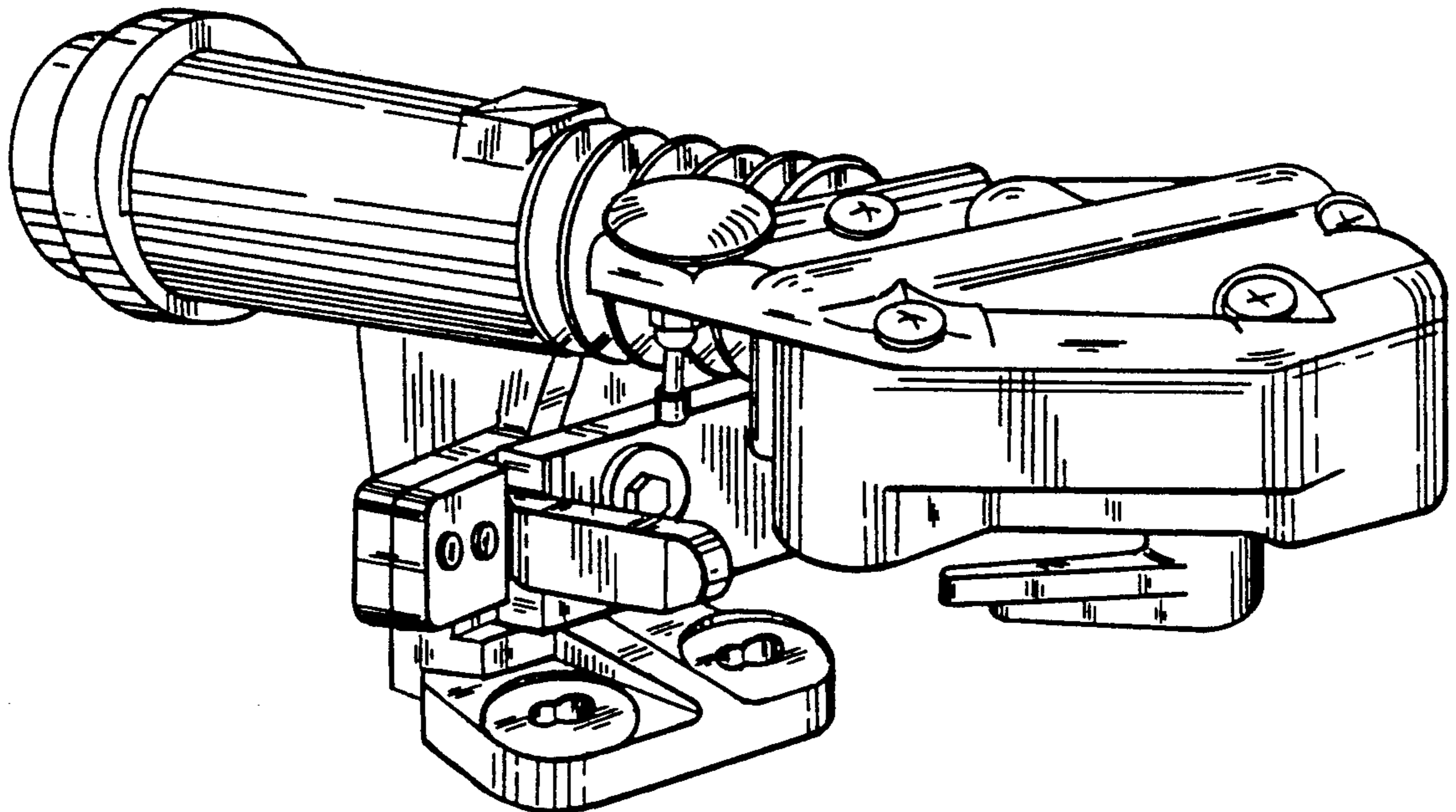
Attorney, Agent, or Firm—James V. Lapacek

[57] CLAIM

The ornamental design for an interrupter unit for a switch assembly, as shown and described.

DESCRIPTION

FIG. 1 is a perspective view of an interrupter unit for a switch assembly showing our new design; FIG. 2 is a front elevational view thereof; FIG. 3 is a rear elevational view thereof; FIG. 4 is a left side elevational view thereof; FIG. 5 is a right side elevational view thereof; FIG. 6 is a top plan view thereof; and FIG. 7 is a bottom plan view thereof.



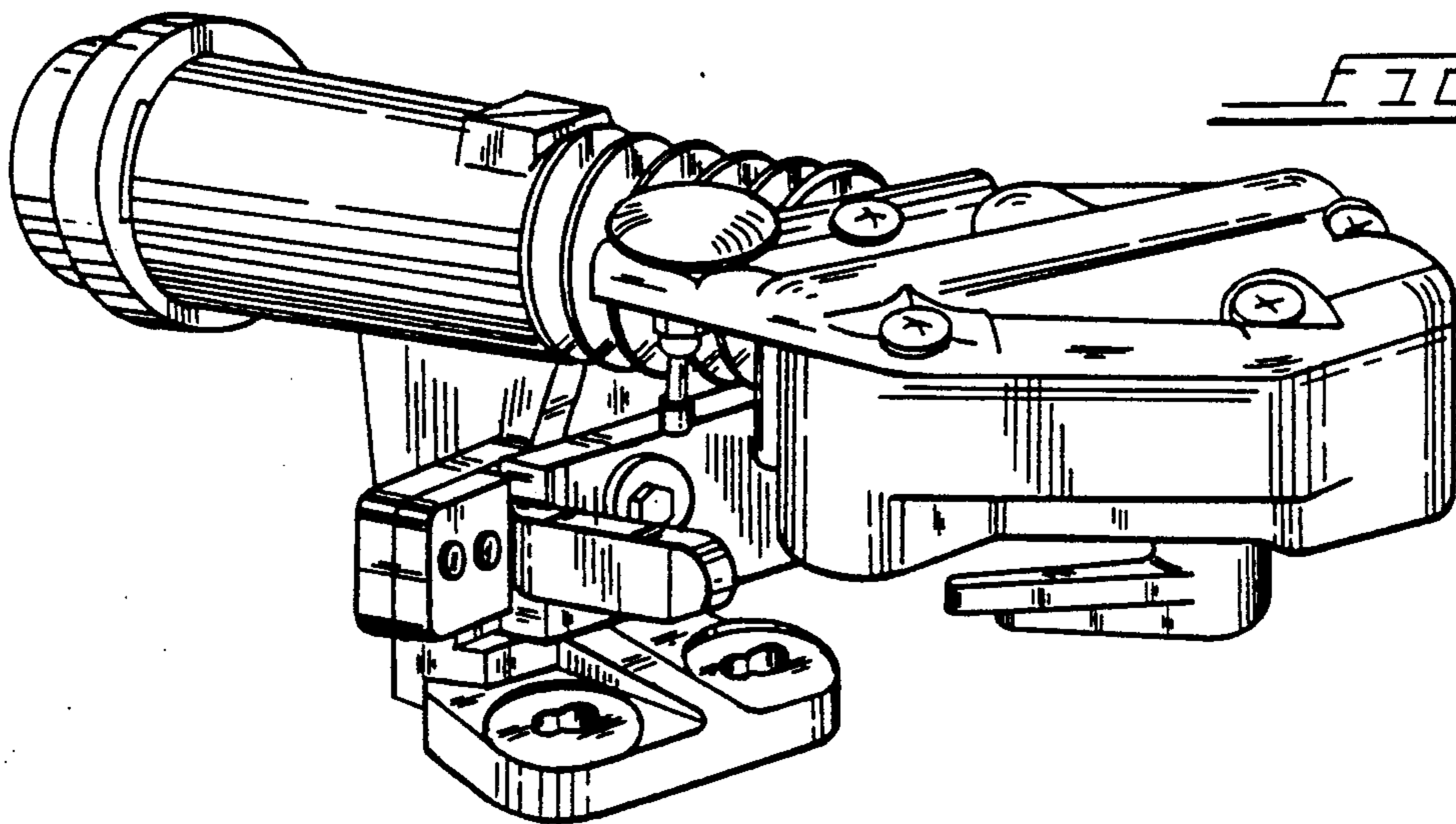


FIG. 1

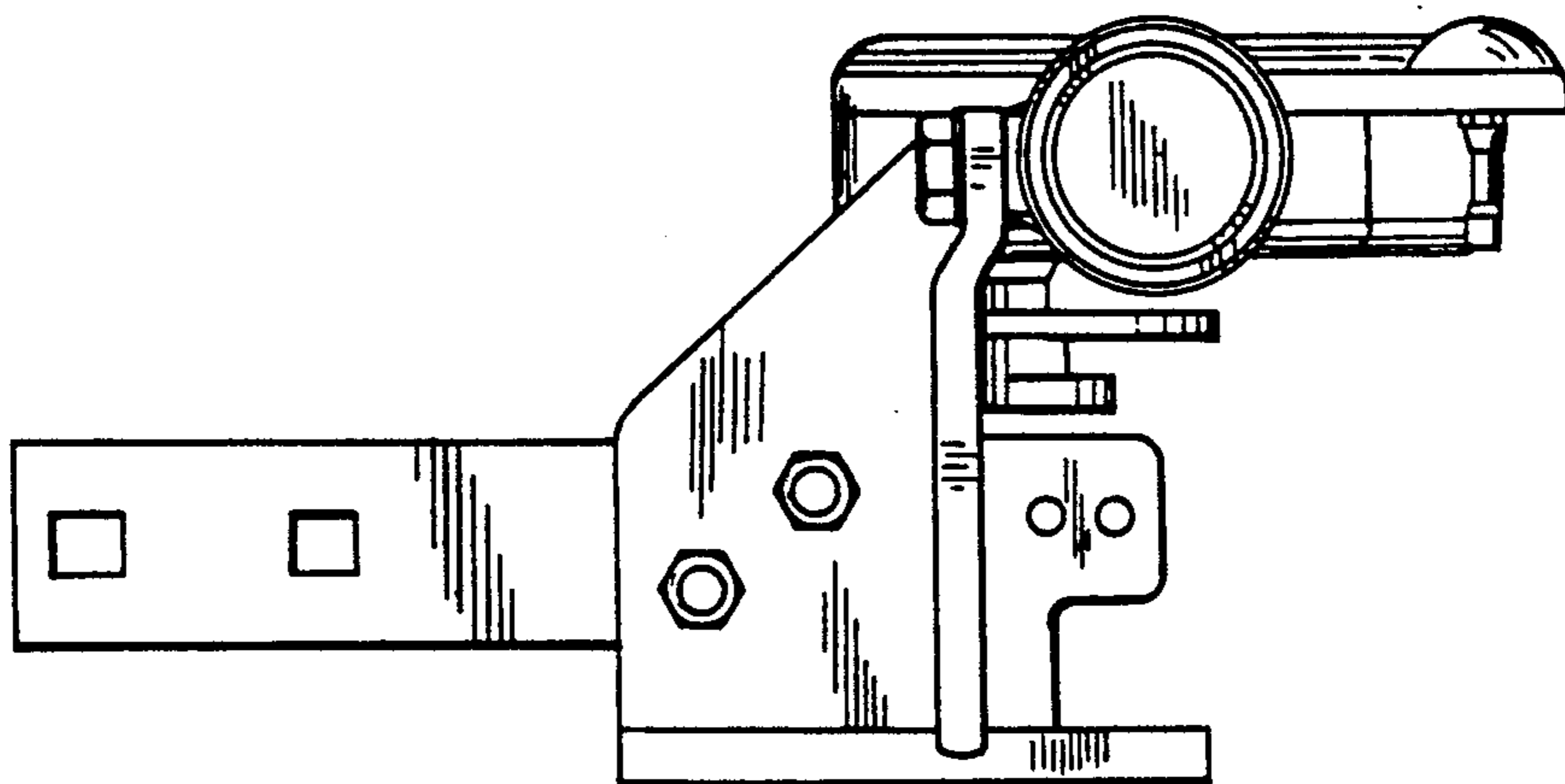


FIG. 3

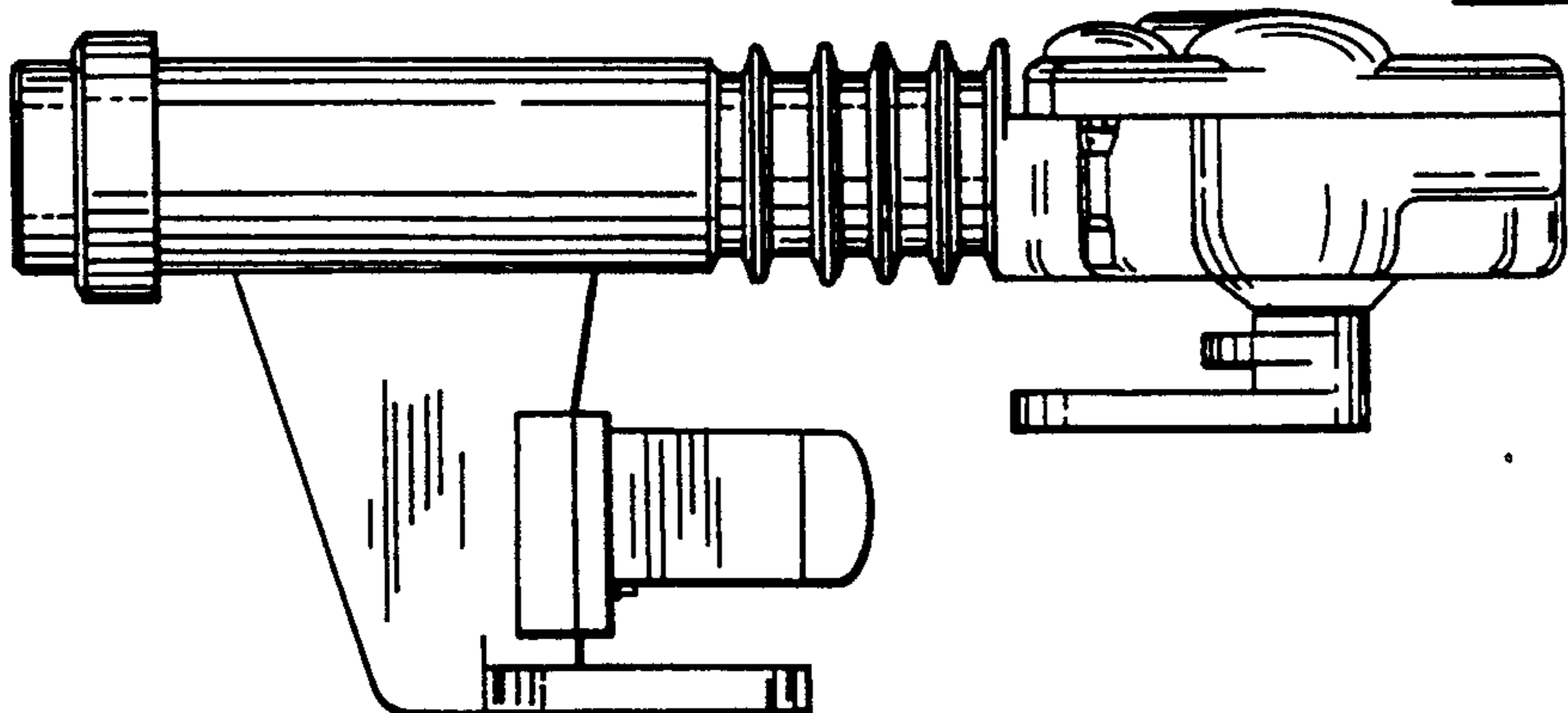
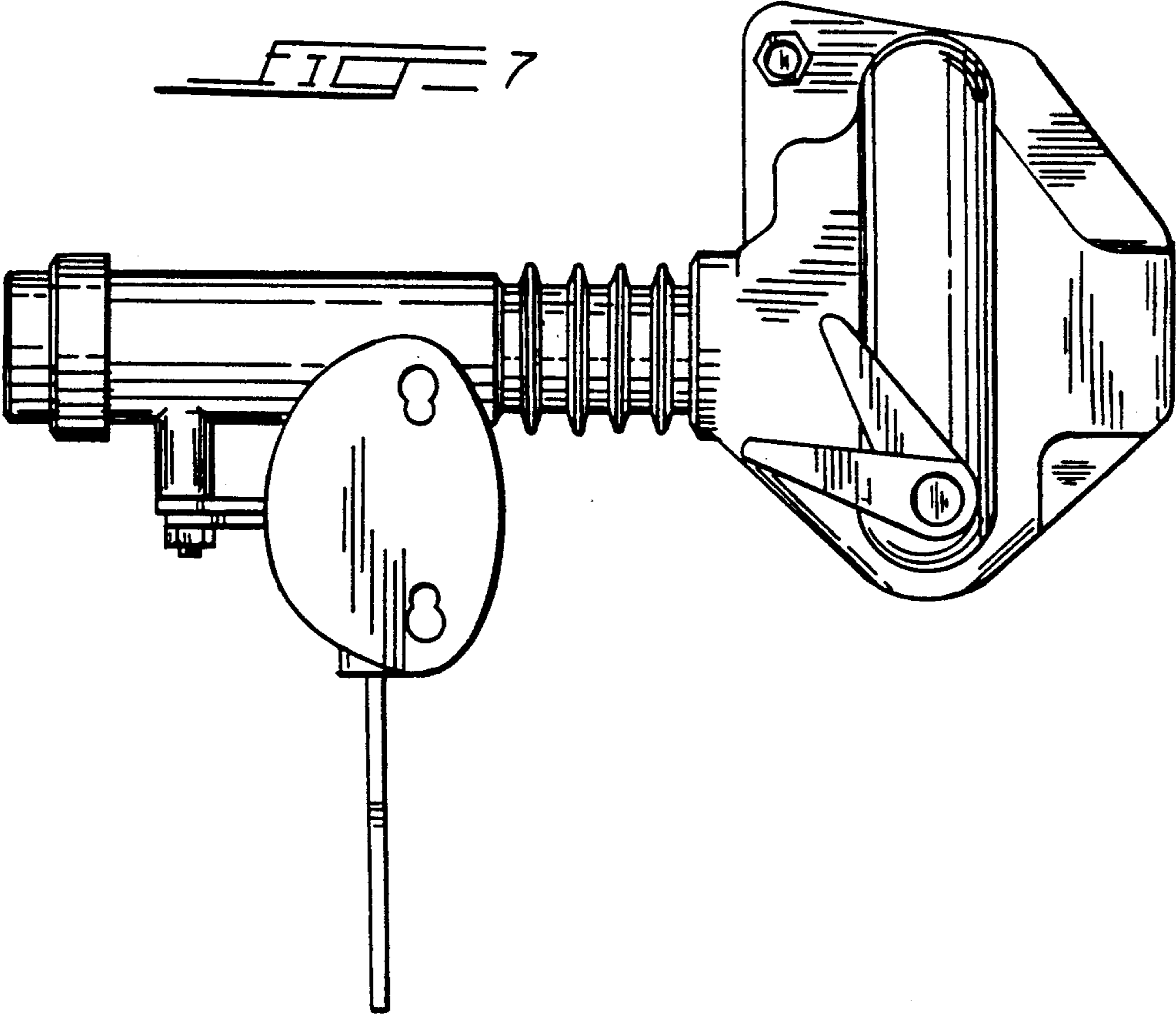
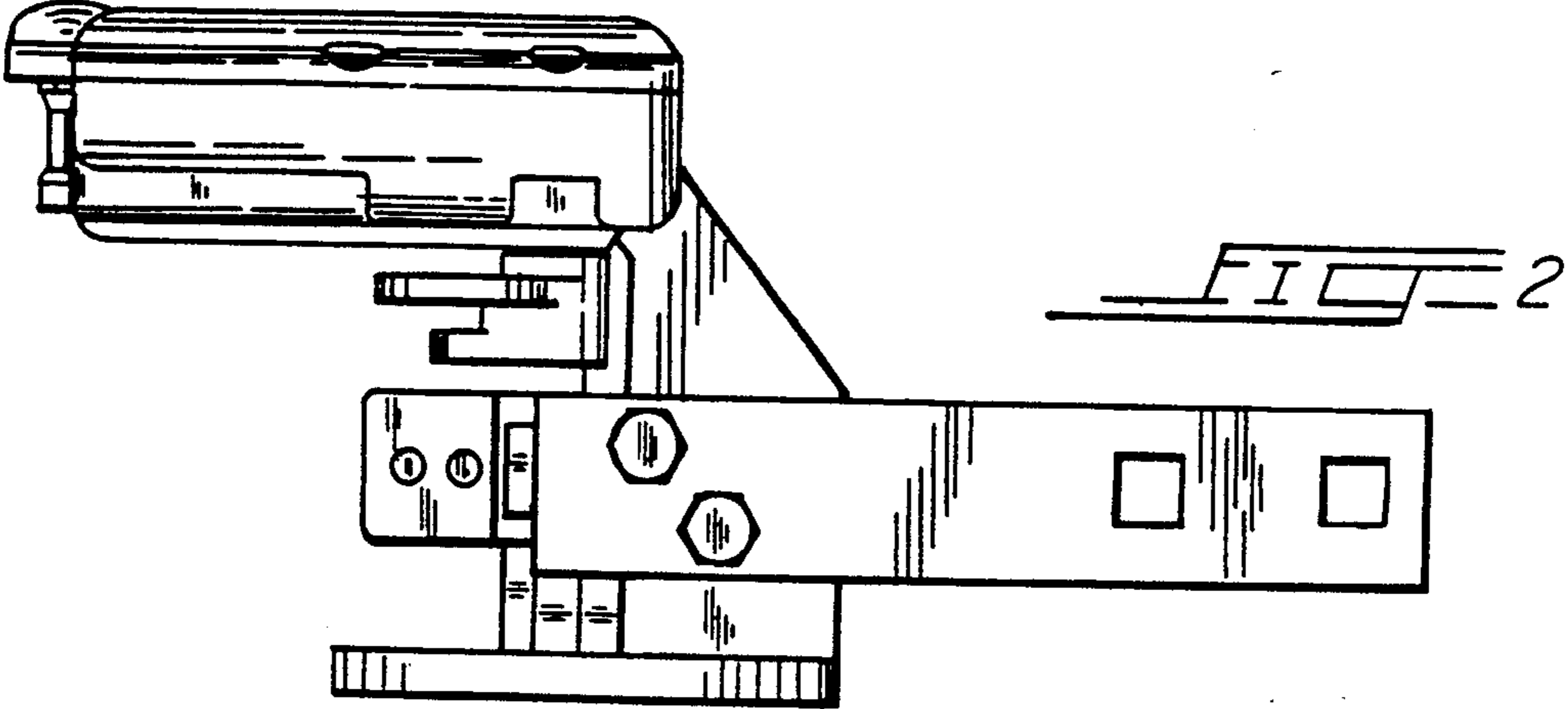


FIG. 4



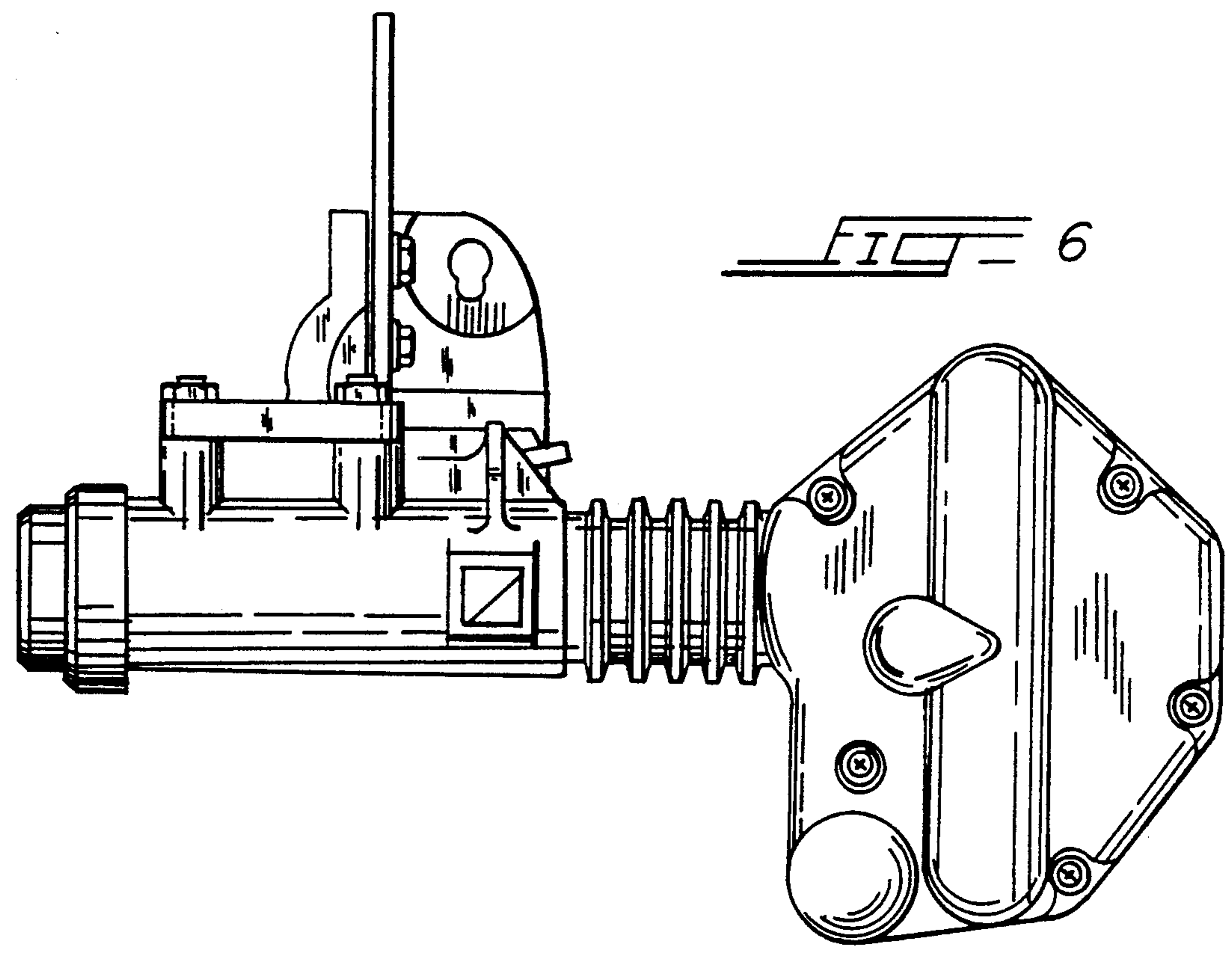


FIG. 5

