

United States Patent [19]

Endo et al.

[11] Patent Number: **Des. 314,756**

[45] Date of Patent: **** Feb. 19, 1991**

[54] **HOUSING FOR AN ELECTRICAL CONNECTOR**

4,679,874 7/1987 Saijo et al. 439/595
4,734,052 3/1988 Vandame 439/595 X

[75] Inventors: **Takayoshi Endo; Hitoshi Saitoh**, both of Shizuoka, Japan

Primary Examiner—Susan J. Lucas
Assistant Examiner—Joel Sincavage
Attorney, Agent, or Firm—Sughrue, Mion, Zinn, Macpeak & Seas

[73] Assignee: **Yazaki Corporation**, Tokyo, Japan

[**] Term: **14 Years**

[57] **CLAIM**

[21] Appl. No.: **255,175**

The ornamental design for a housing for an electrical connector, as shown and described.

[22] Filed: **Oct. 7, 1988**

DESCRIPTION

[30] **Foreign Application Priority Data**

Apr. 8, 1988 [JP] Japan 63-13922

[52] U.S. Cl. **D13/147**

[58] Field of Search D13/133, 146, 147;
439/353, 344, 357, 544, 550, 571, 572, 586, 587,
595, 603, 660, 682, 685, 686, 687, 695, 696, 701

FIG. 1 is a front, top and right side perspective view of a housing for an electrical connector showing our new design;

FIG. 2 is a front elevational view thereof;

FIG. 3 is a rear elevational view thereof;

FIG. 4 is a left side elevational view thereof;

FIG. 5 is a top plan view thereof;

FIG. 6 is a bottom plan view thereof; and

FIG. 7 is a front, top and side perspective view thereof, positioned for coupling to a mating housing, the mating housing and conductors shown in broken lines are for illustrative purposes only and form no part of the claimed design.

[56] **References Cited**

U.S. PATENT DOCUMENTS

D. 272,144 1/1984 Mayumi D13/147
D. 277,750 2/1985 Ito et al. D13/147
4,557,542 12/1985 Coller et al. 439/595

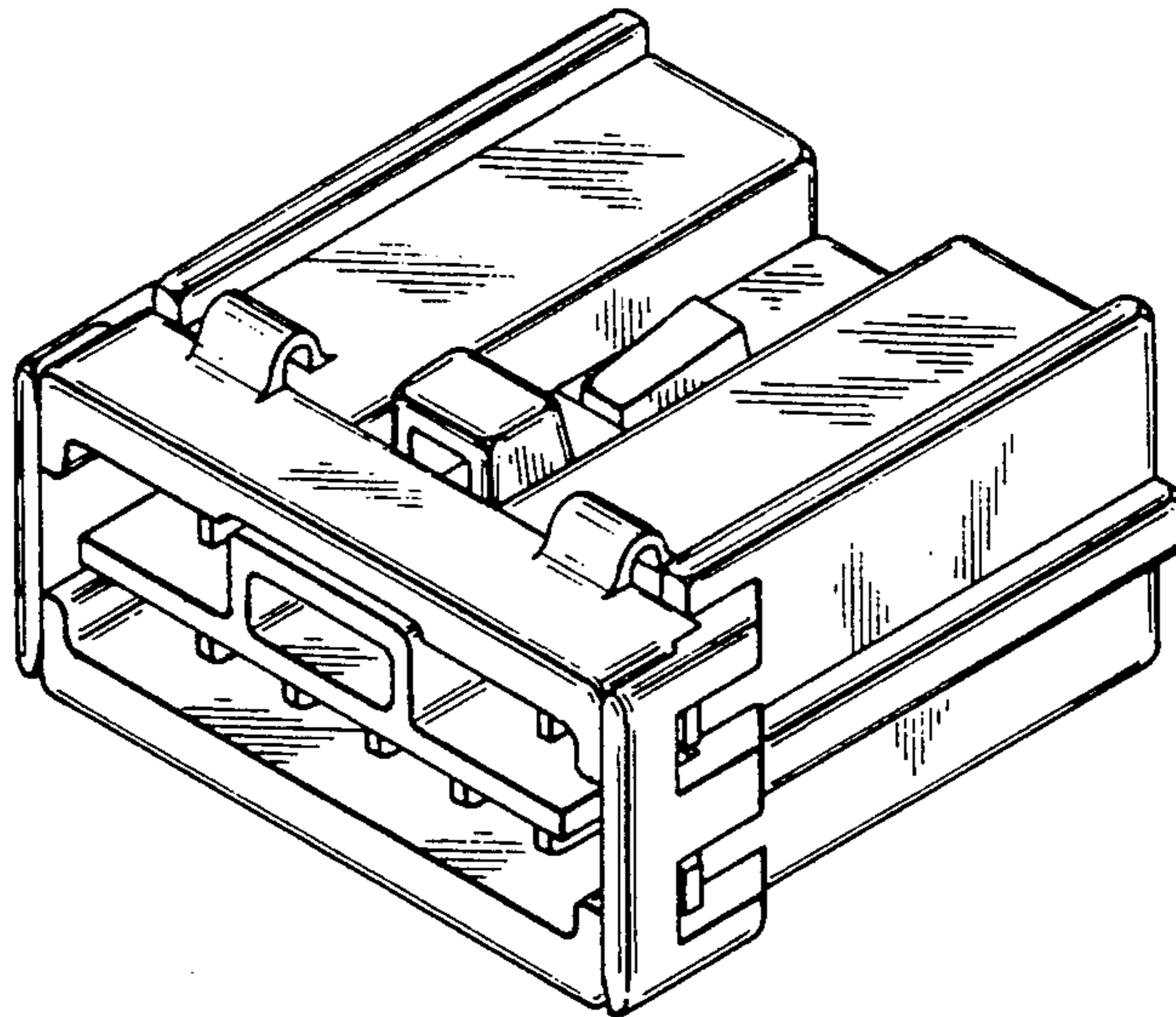


FIG. 1

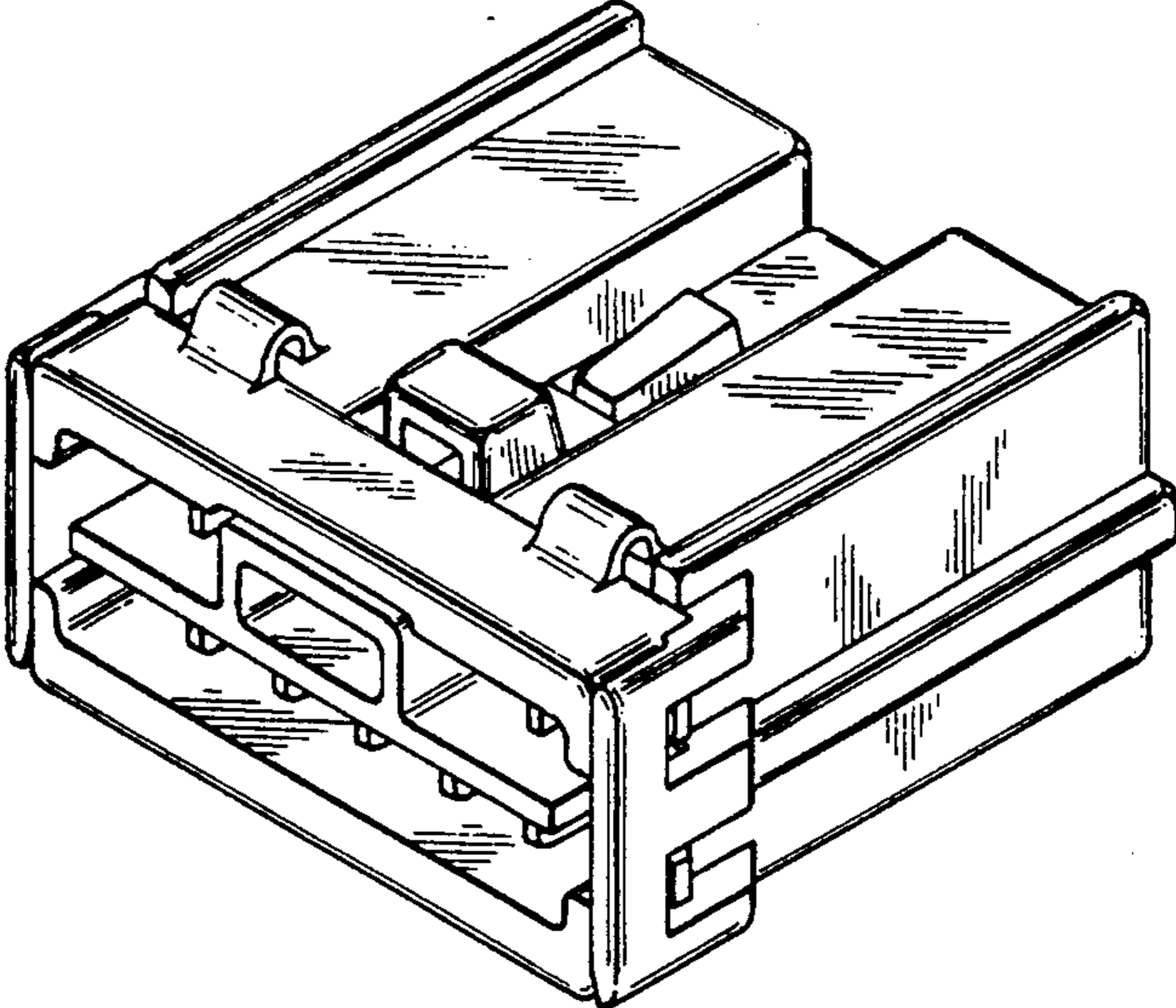


FIG. 2

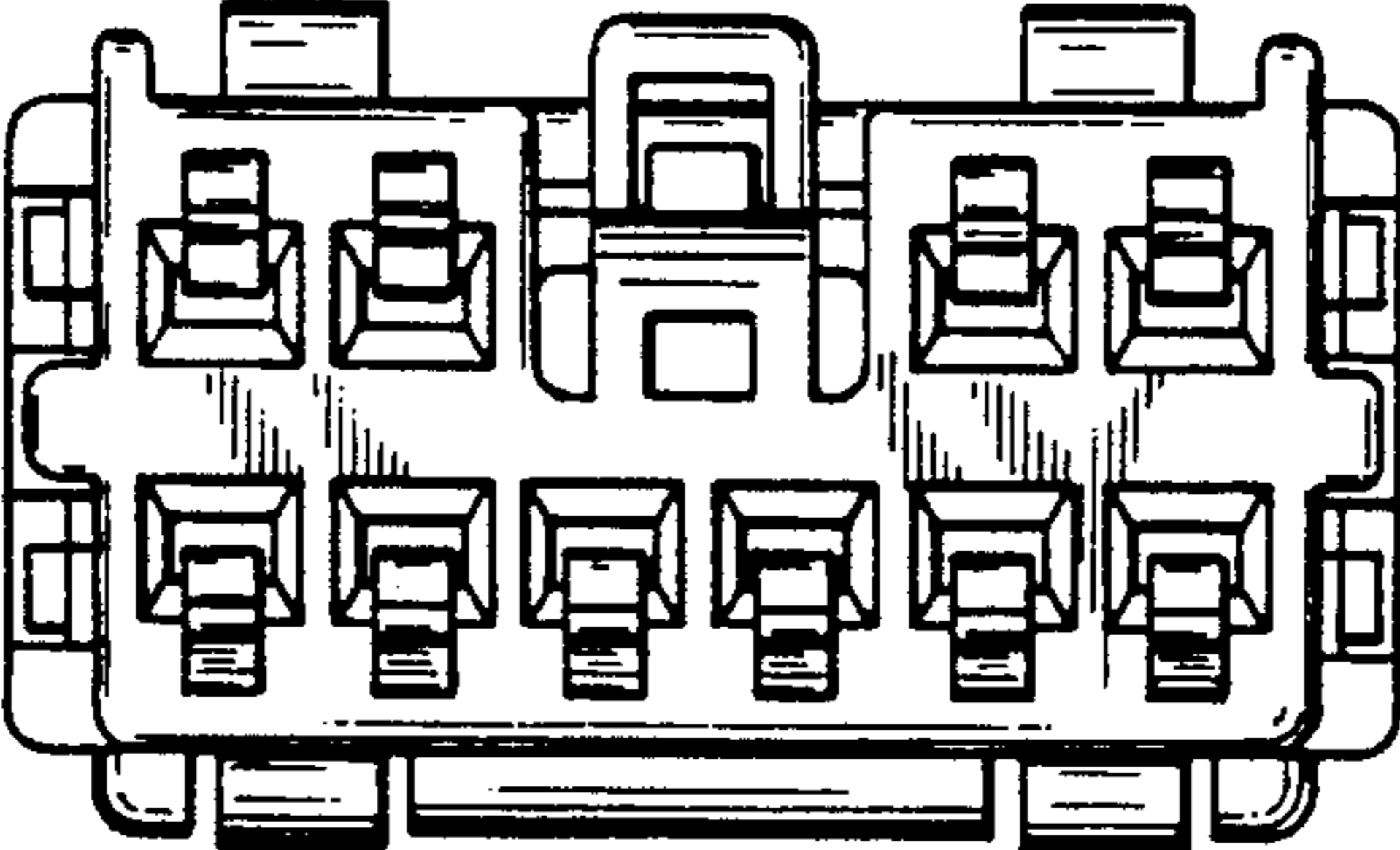


FIG. 3

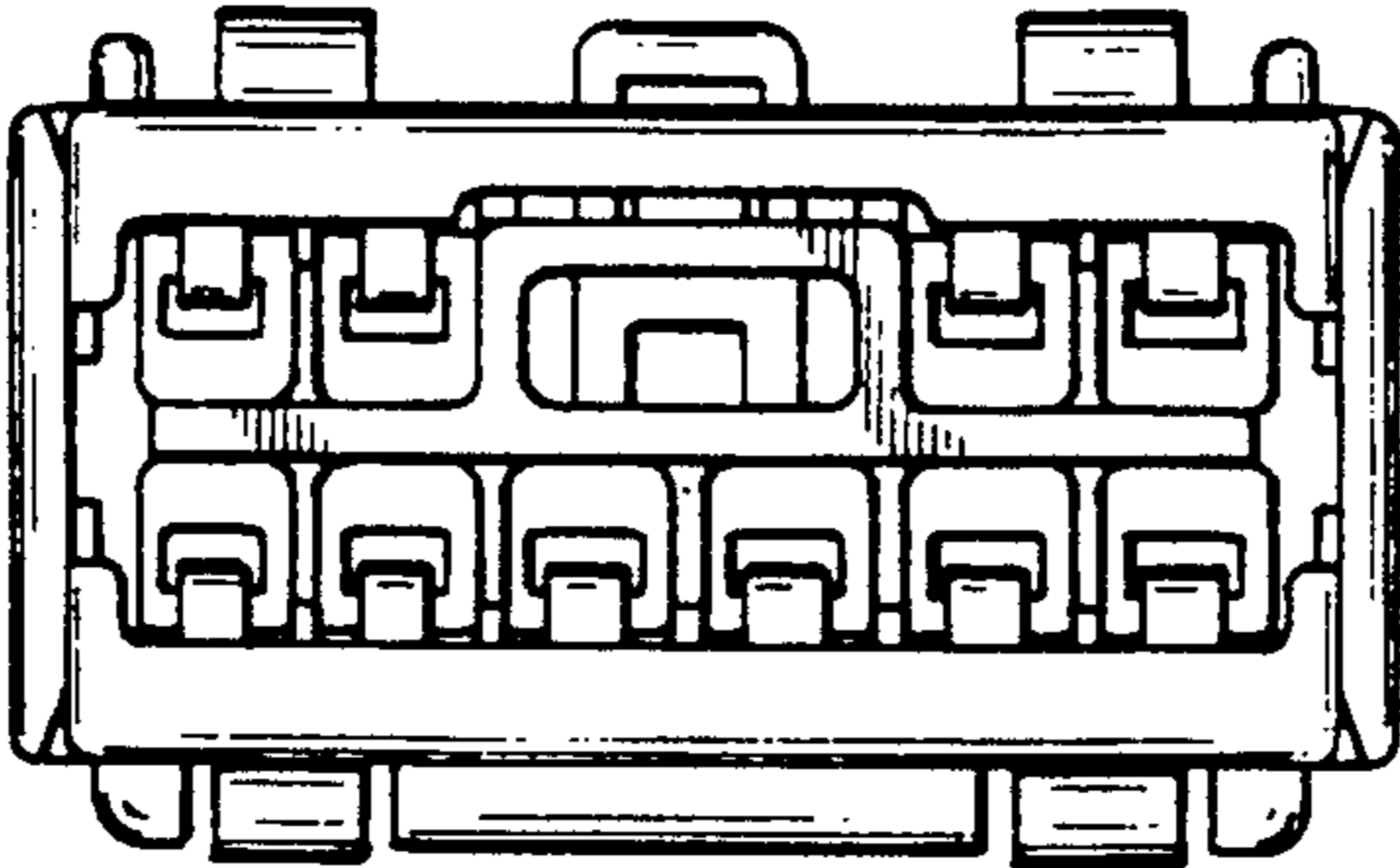


FIG. 4

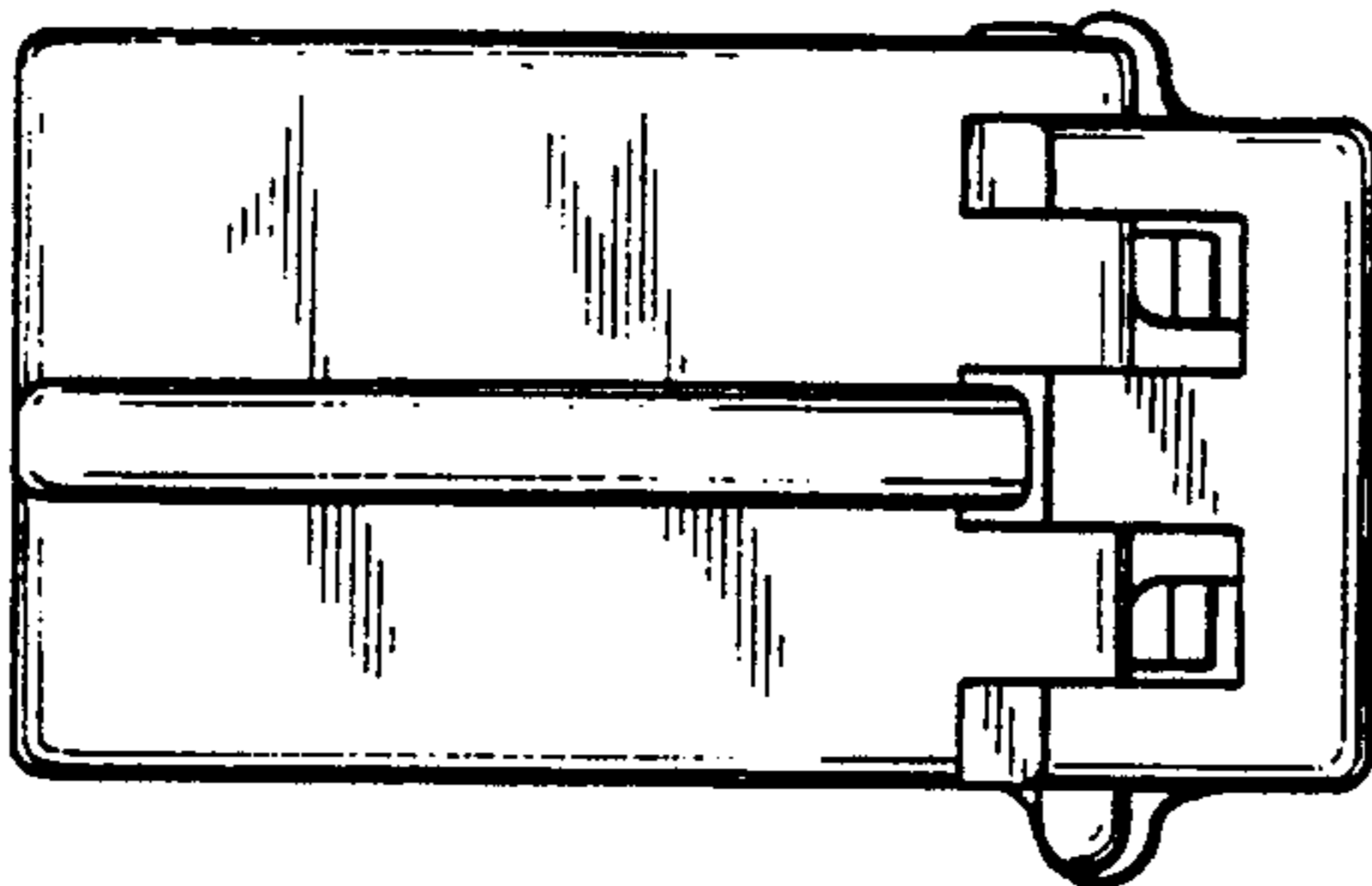


FIG. 5

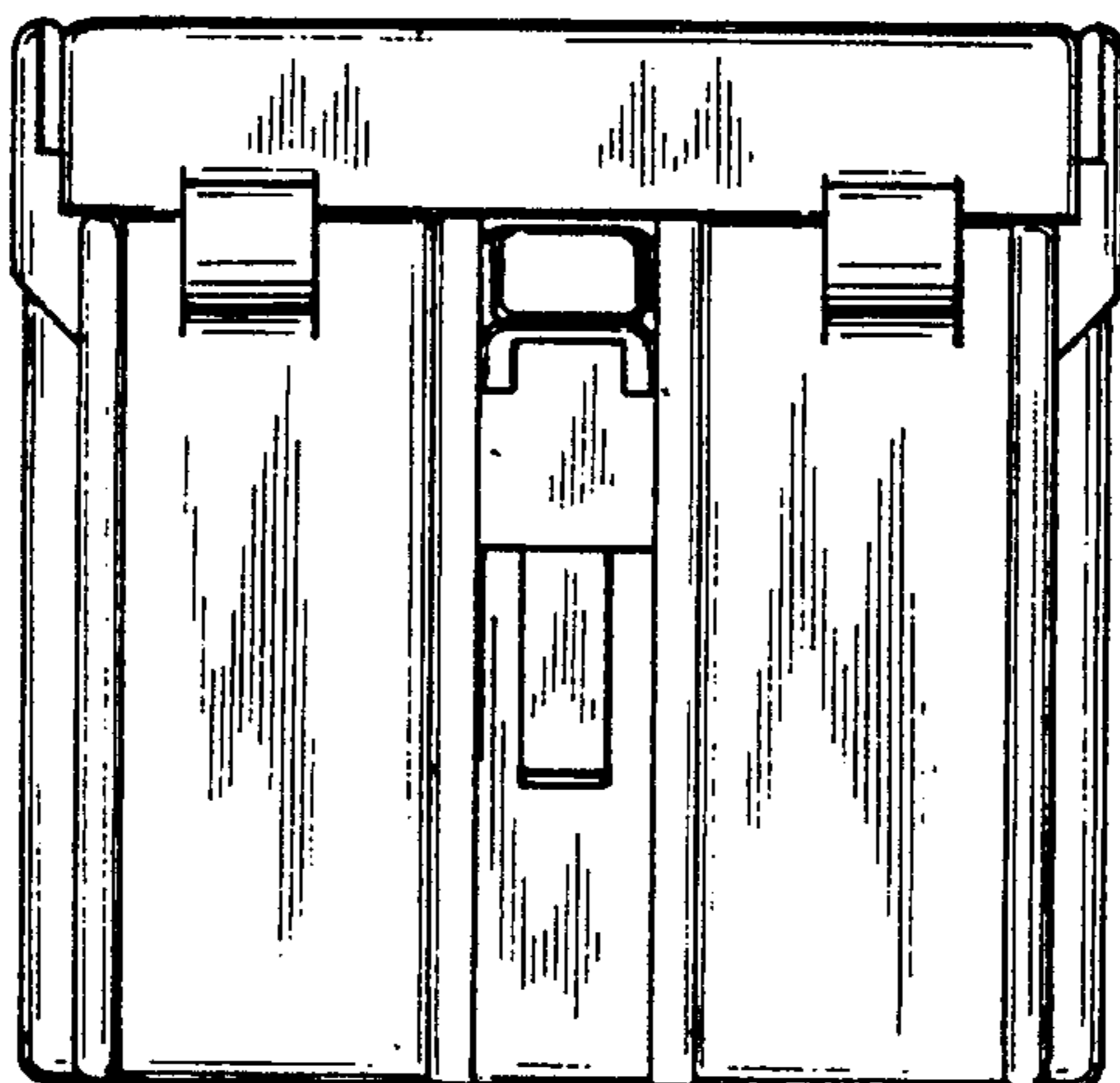
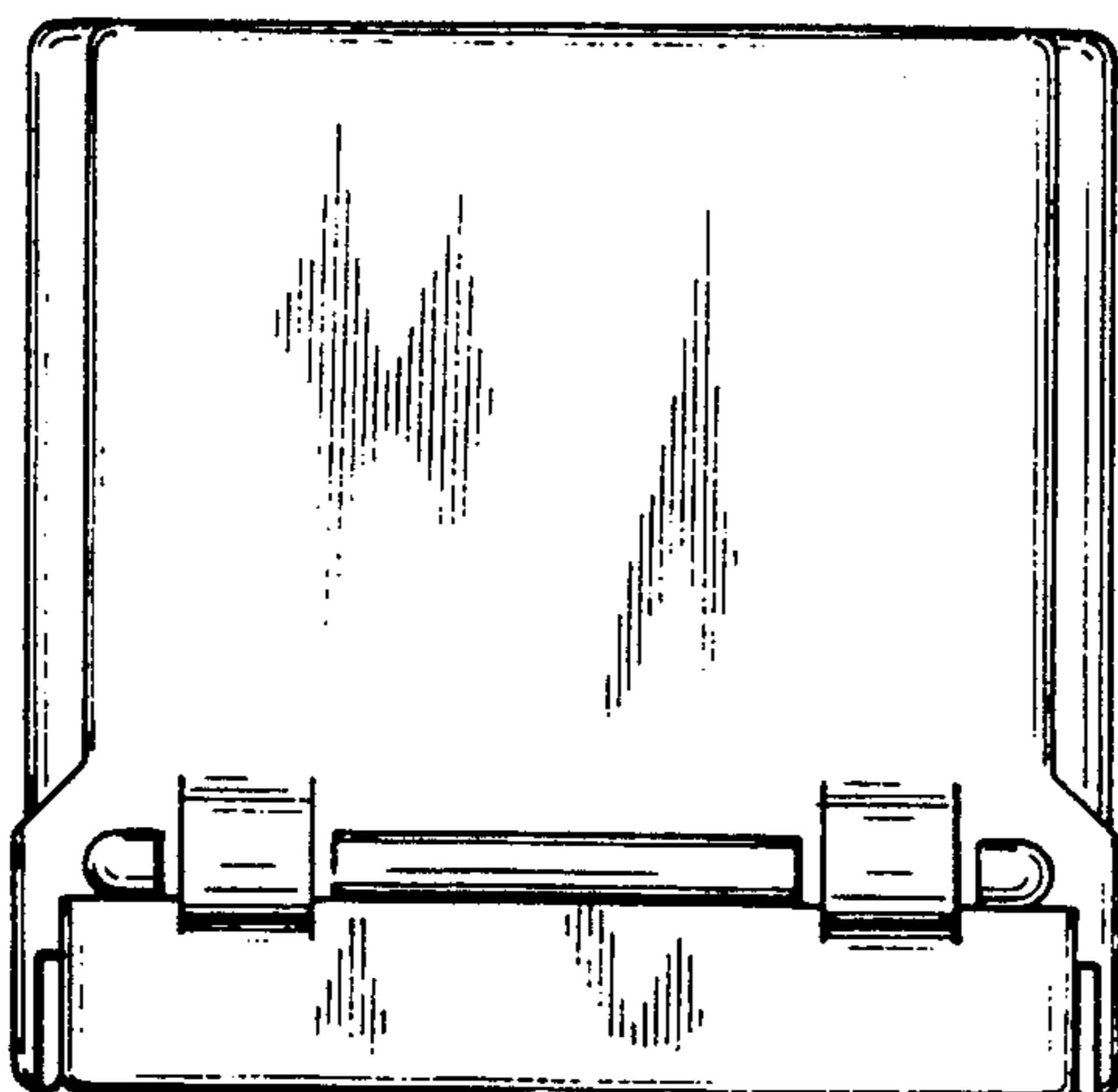


FIG. 6



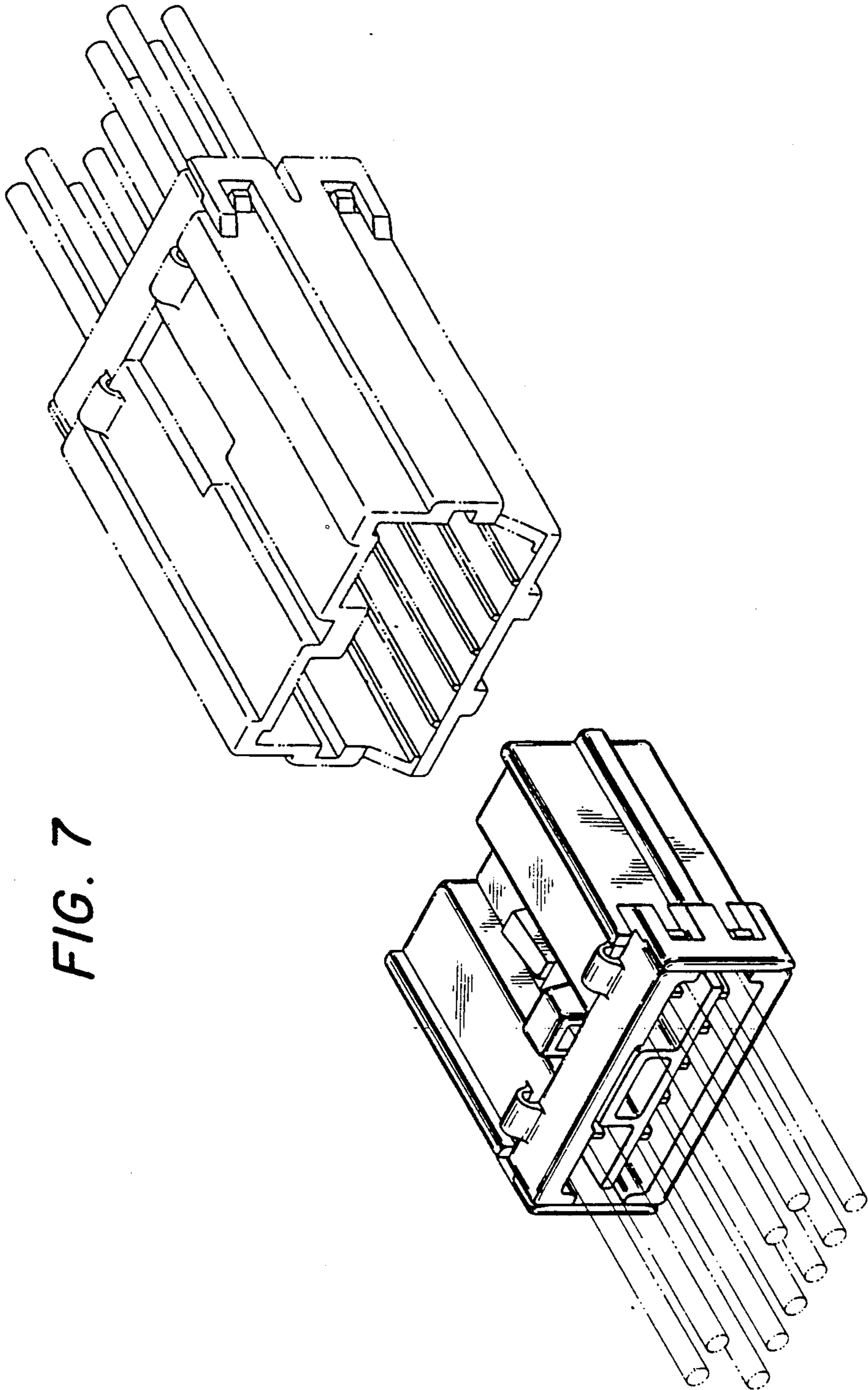


FIG. 7