

[54] HOUSING FOR AN ELECTRICAL CONNECTOR

[75] Inventors: Takayoshi Endo; Hitoshi Saitoh, both of Shizuoka, Japan

[73] Assignee: Yazaki Corporation, Tokyo, Japan

[**] Term: 14 Years

[21] Appl. No.: 255,173

[22] Filed: Oct. 7, 1988

[30] Foreign Application Priority Data

Apr. 8, 1988 [JP] Japan 63-13921
[52] U.S. Cl. D13/147
[58] Field of Search D13/133, 146, 147; 439/353, 344, 357, 544, 550, 571, 572, 586, 587, 595, 603, 660, 682, 685, 686, 687, 695, 696, 701

[56] References Cited

U.S. PATENT DOCUMENTS

D. 293,313 12/1987 Justiano et al. D13/133
3,353,143 11/1967 Pauza D13/147 X
4,596,436 6/1986 Kraemer et al. 439/701
4,657,331 4/1987 Coldren 439/571

FOREIGN PATENT DOCUMENTS

1524330 5/1968 France 439/682
0274408 9/1964 Netherlands 439/682

Primary Examiner—Susan J. Lucas
Assistant Examiner—Joel Sincavage
Attorney, Agent, or Firm—Sughrue, Mion, Zinn, Macpeak & Seas

[57] CLAIM

The ornamental design for a housing for an electrical connector, as shown and described.

DESCRIPTION

FIG. 1 is a front, top and right side perspective view of a housing for an electrical connector showing our new design; FIG. 2 is a front elevational view thereof; FIG. 3 is a rear elevational view thereof; FIG. 4 is a right side elevational view thereof; the left side elevational view being a mirror image; FIG. 5 is a top plan view thereof; FIG. 6 is a bottom plan view thereof; and FIG. 7 is a front, top and right side perspective view thereof, positioned for coupling to a mating electrical connector housing. The mating connector housing and the conductors shown in broken lines are included for illustrative purposes only and form no part of the claimed design.

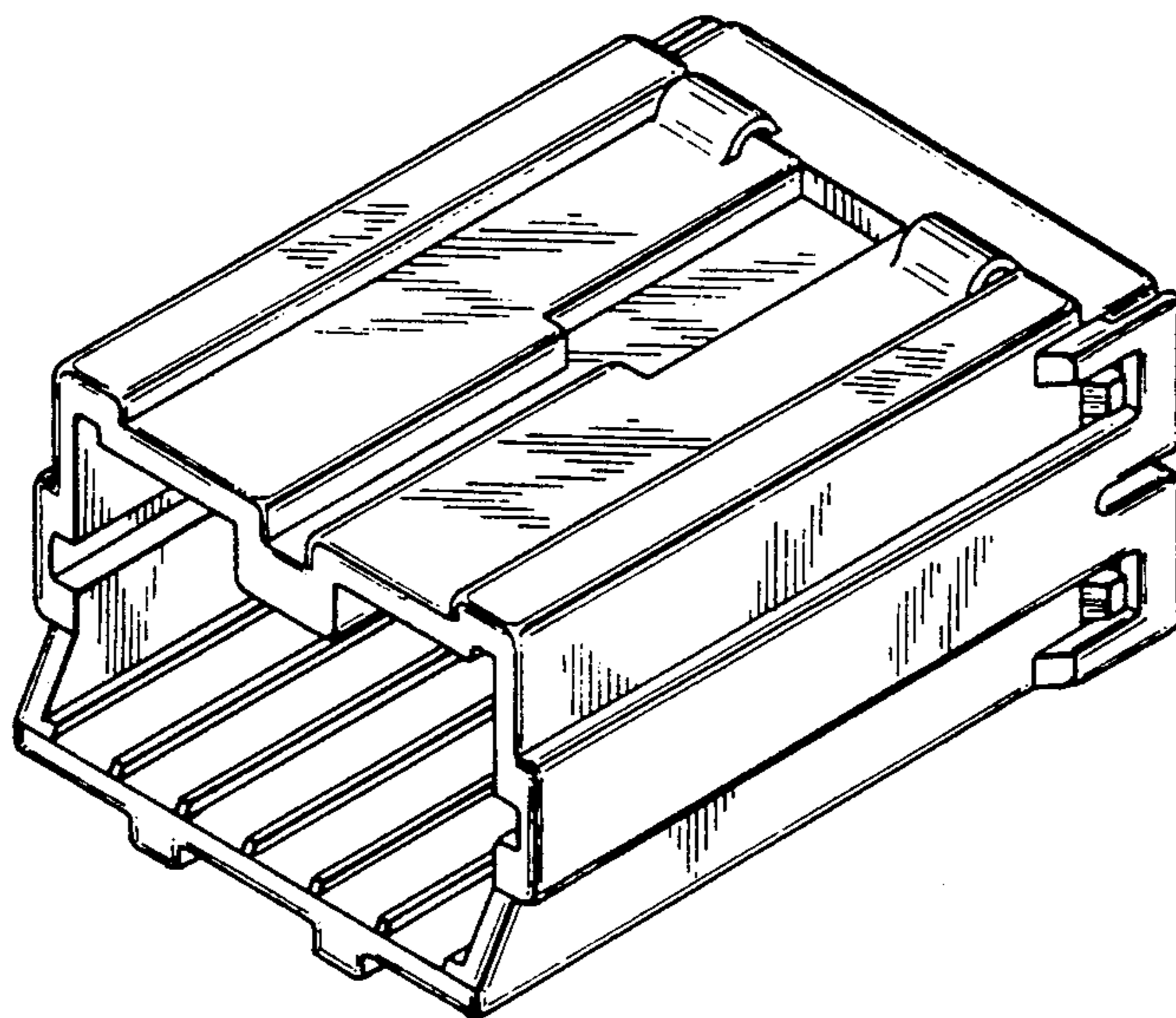


FIG. 1

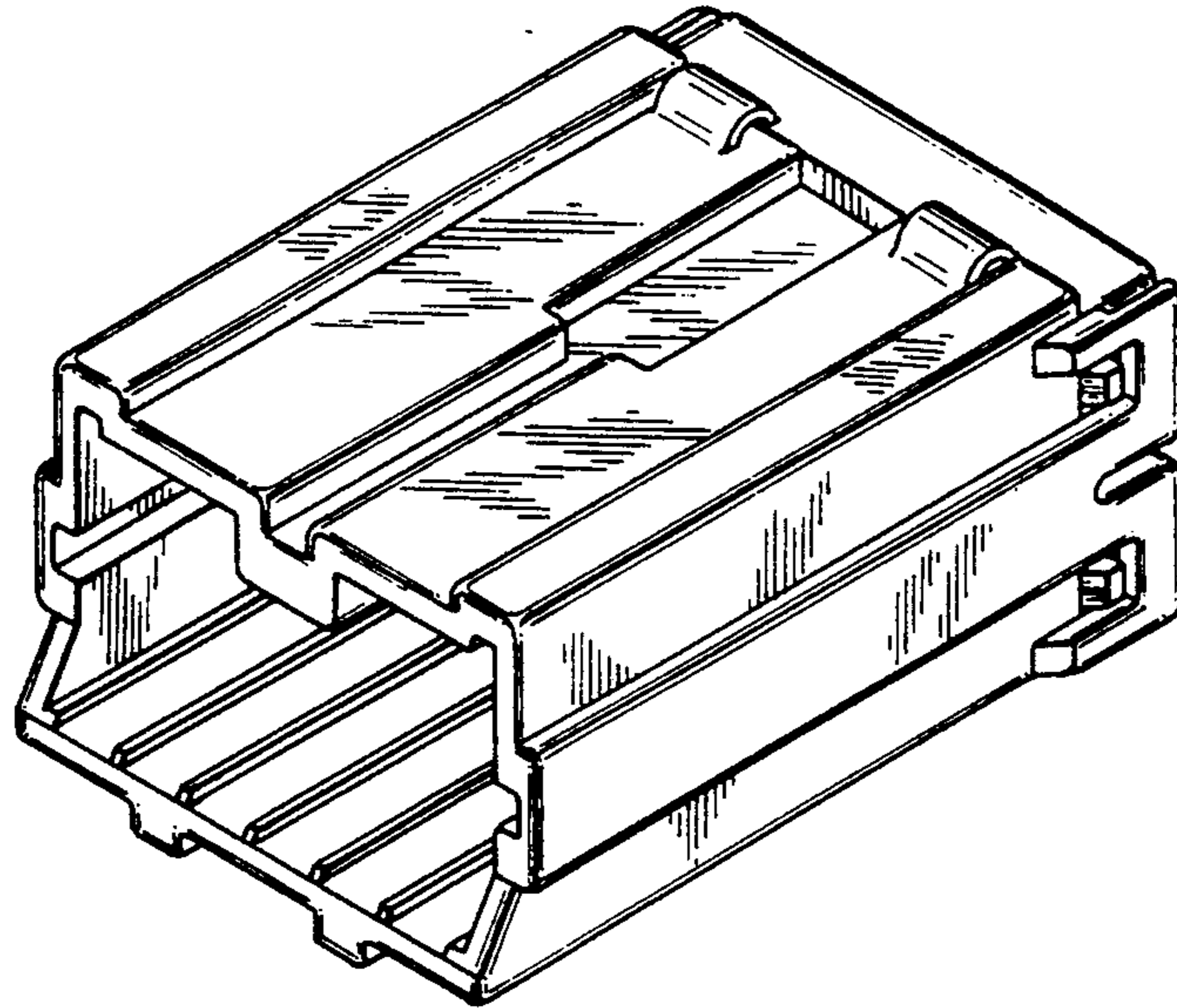


FIG. 2

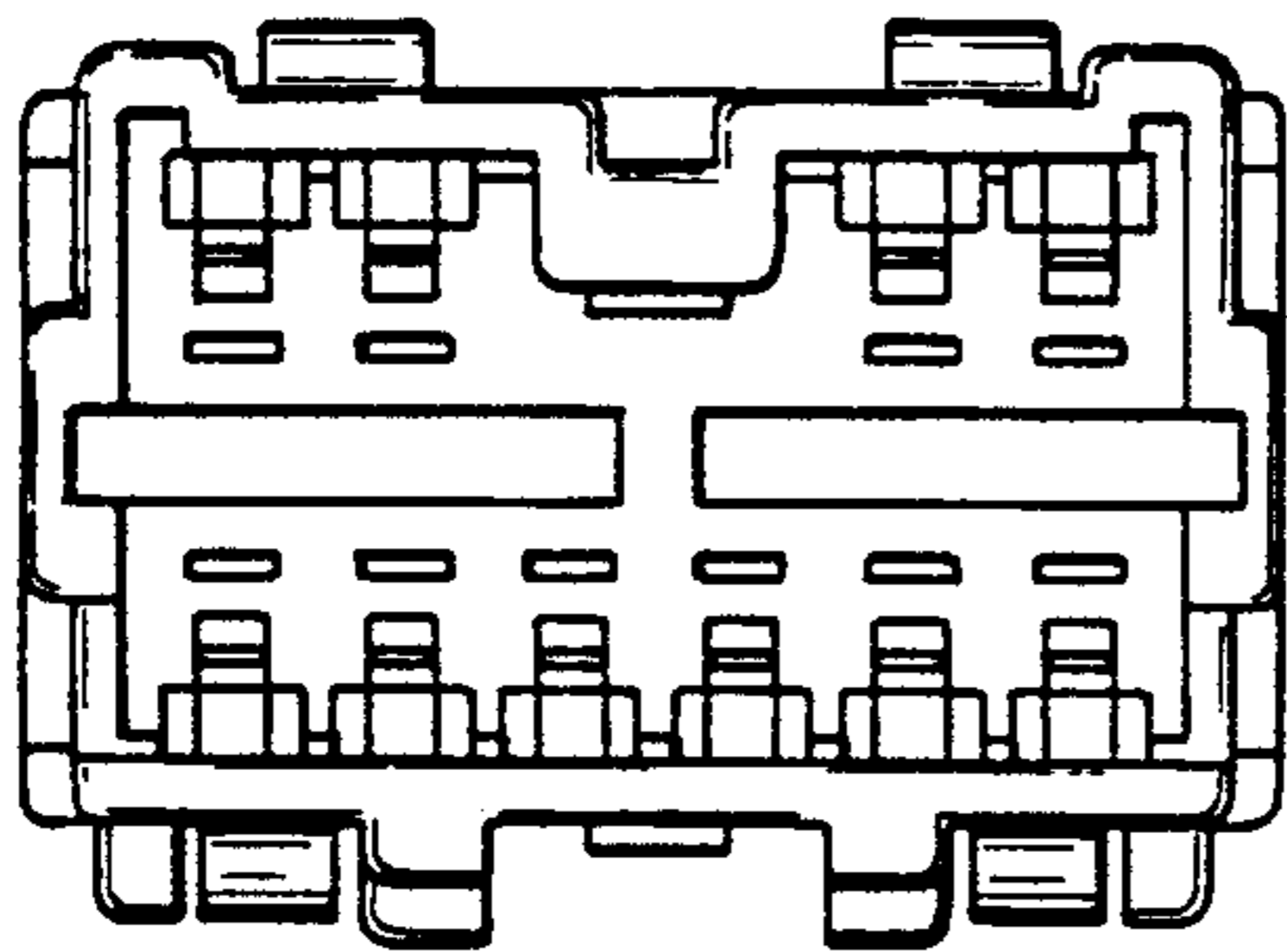


FIG. 3

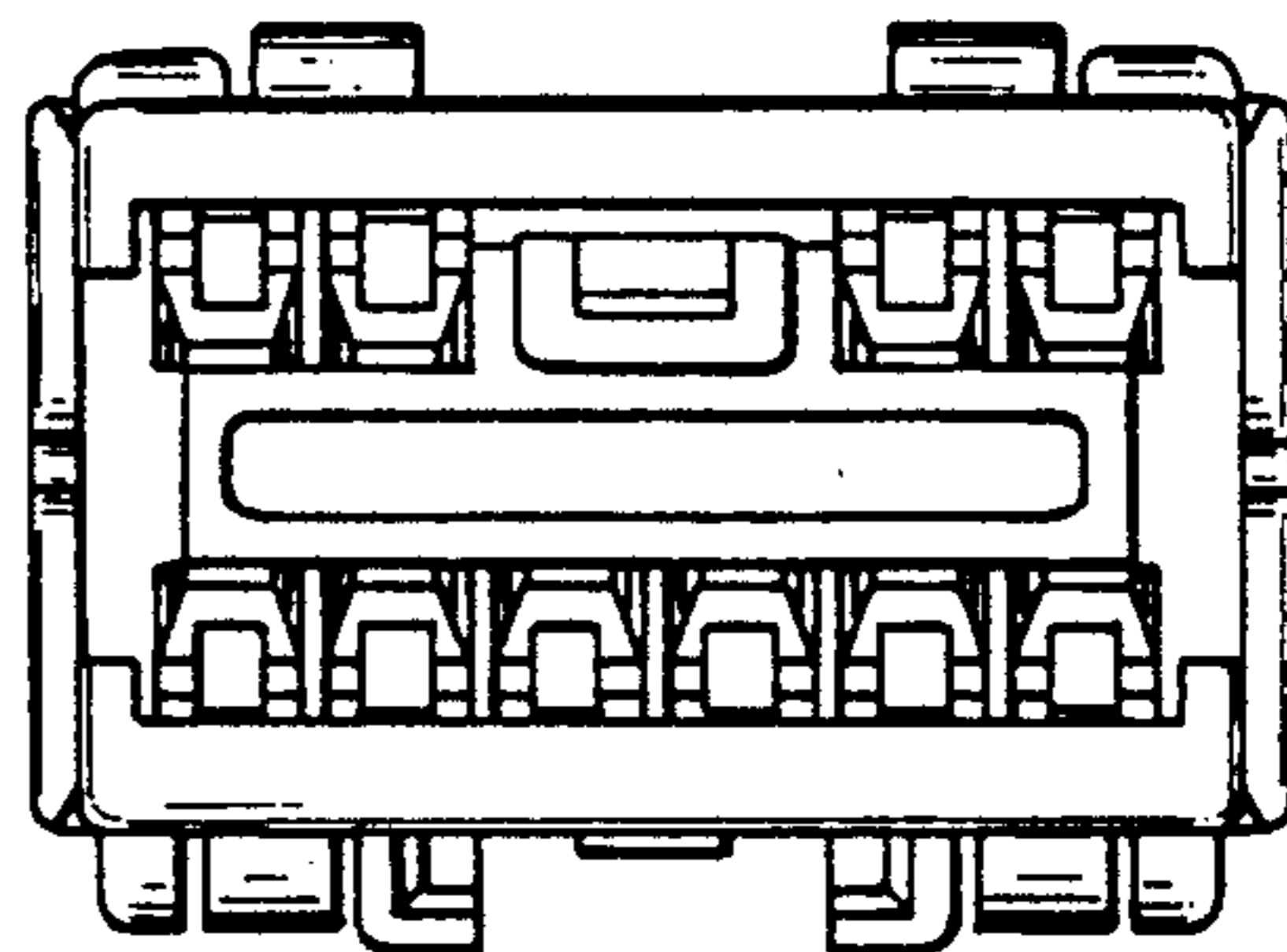


FIG. 4

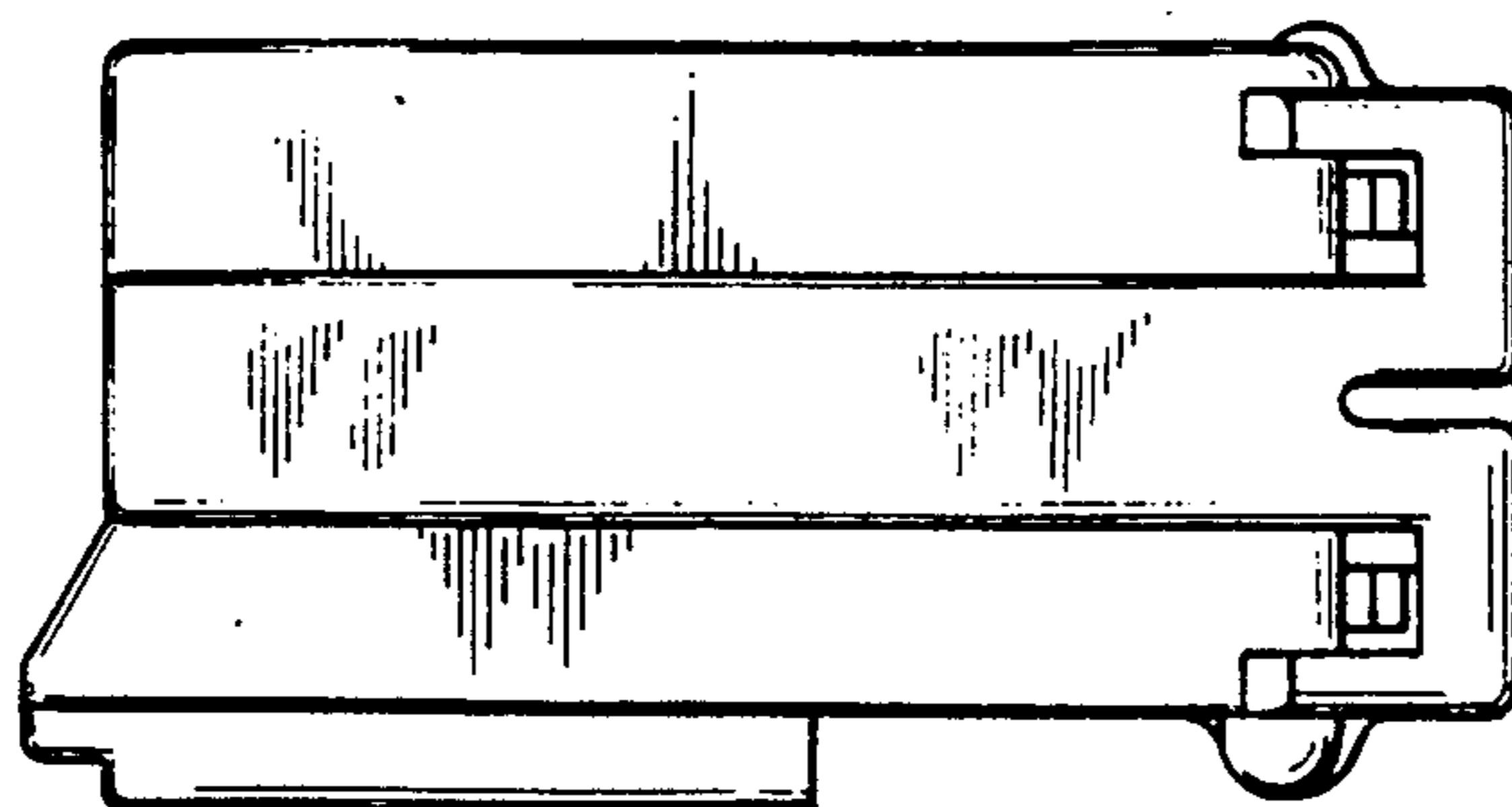


FIG. 5

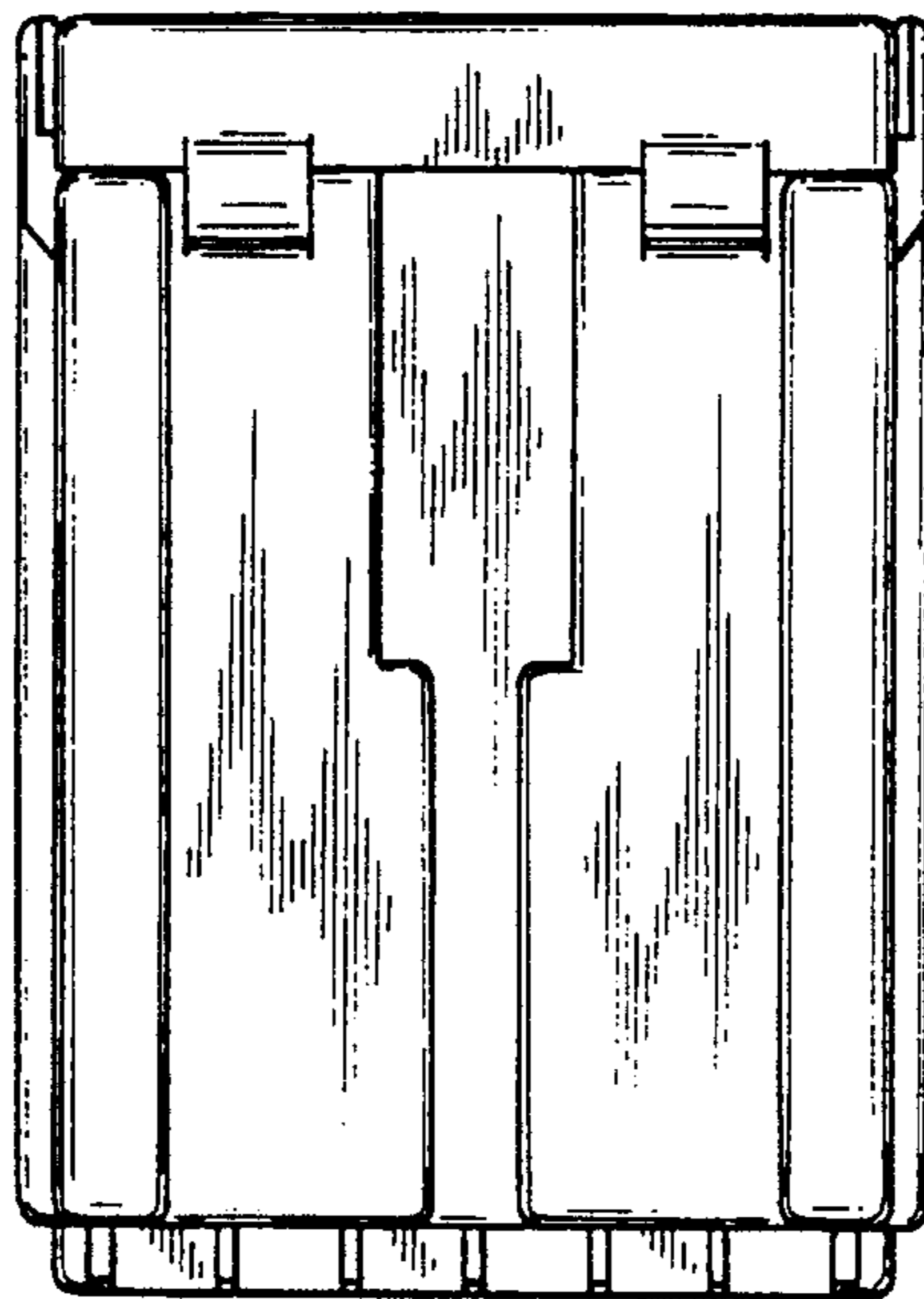
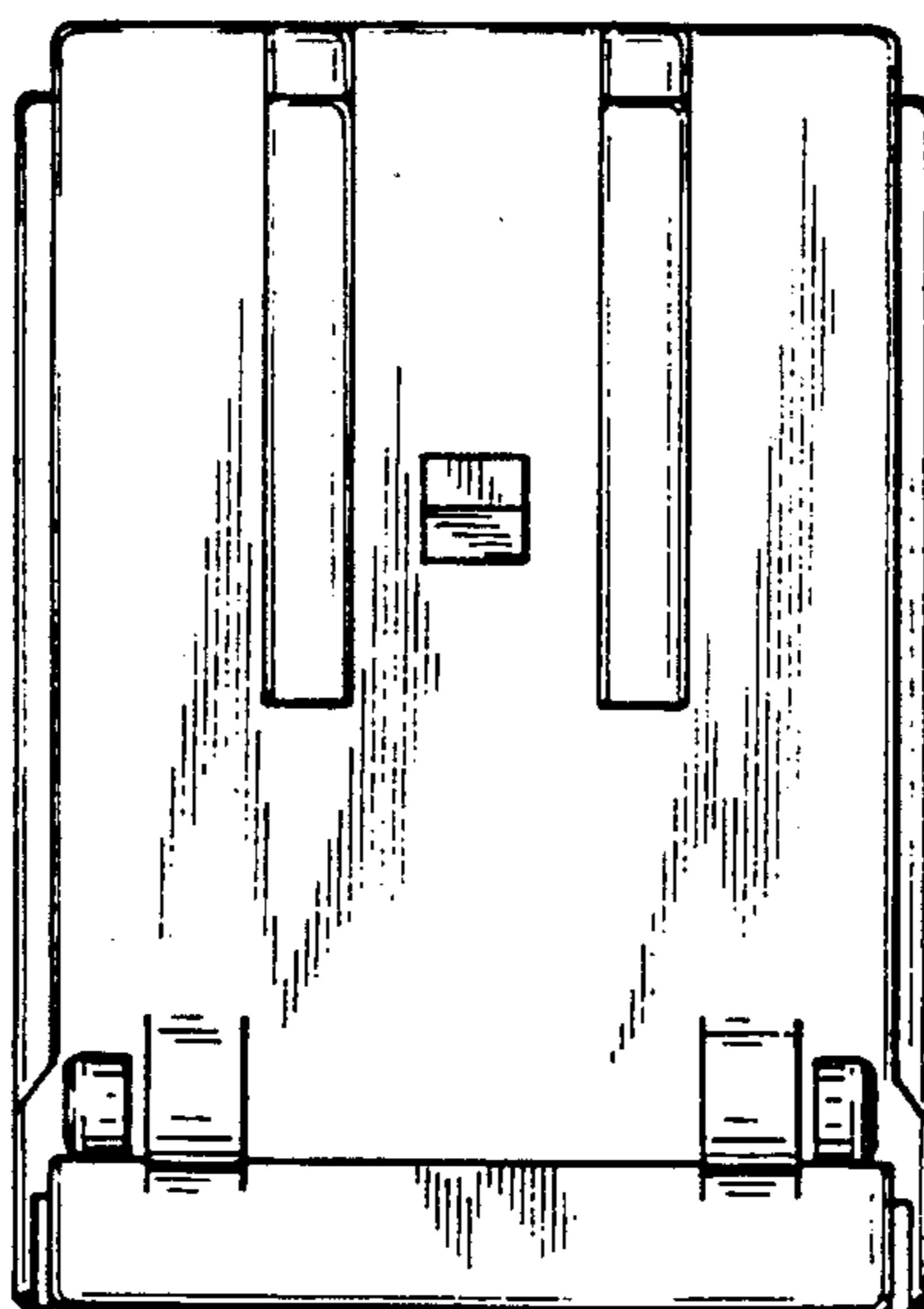


FIG. 6



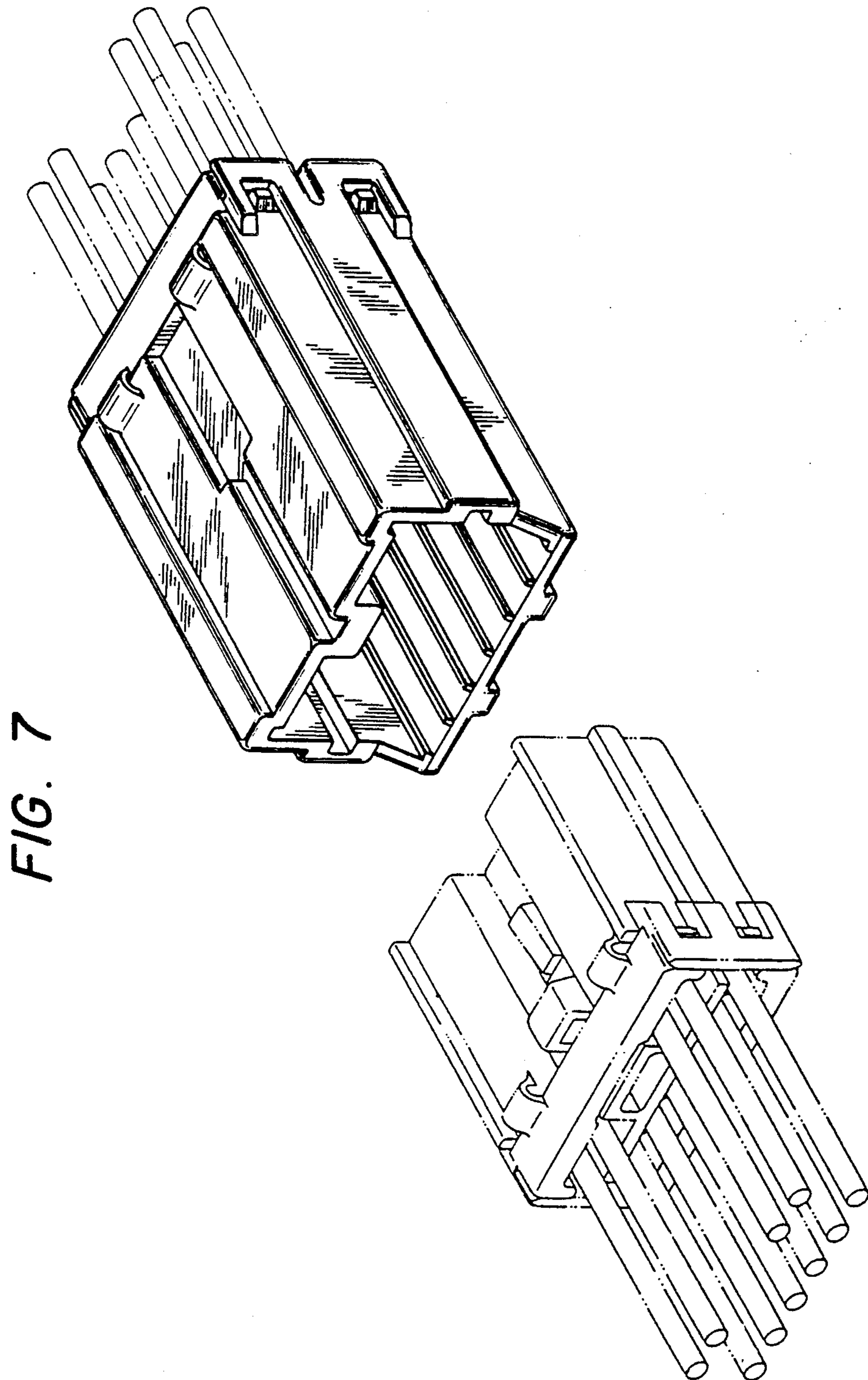


FIG. 7