

[54] HOUSING FOR AN ELECTRICAL CONNECTOR

4,679,874 7/1987 Saijo et al. 439/595
4,734,052 3/1988 Vandame 439/595 X

[75] Inventors: Takayoshi Endo; Hitoshi Saitoh, both of Shizuoka, Japan

Primary Examiner—Susan J. Lucas
Assistant Examiner—Joel Sincavage
Attorney, Agent, or Firm—Sughrue, Mion, Zinn, Macpeak & Seas

[73] Assignee: Yazaki Corporation, Tokyo, Japan

[**] Term: 14 Years

[57] CLAIM

[21] Appl. No.: 255,169

The ornamental design for a housing for an electrical connector, as shown and described.

[22] Filed: Oct. 7, 1988

DESCRIPTION

[30] Foreign Application Priority Data

Apr. 8, 1988 [JP] Japan 63-13923

[52] U.S. Cl. D13/147

[58] Field of Search D13/133, 146, 147;
439/353, 344, 357, 544, 550, 571, 572, 586, 587,
595, 603, 660, 682, 685, 686, 687, 695, 696, 701

FIG. 1 is a front, top and right side perspective view of a housing for an electrical connector showing out new design;

FIG. 2 is a rear elevational view thereof;

FIG. 3 is a front elevational view thereof;

FIG. 4 is a left side elevational view thereof;

FIG. 5 is a top plan view thereof;

FIG. 6 is a bottom plan view thereof; and

FIG. 7 is a front, top and side perspective view thereof, positioned for coupling to a mating housing, the mating housing and conductors shown in broken lines are for illustrative purposes only and form no part of the claimed design.

[56] References Cited

U.S. PATENT DOCUMENTS

D. 272,144 1/1984 Mayumi D13/147
D. 277,750 2/1985 Ito et al. D13/147
4,557,542 12/1985 Coller et al. 439/595

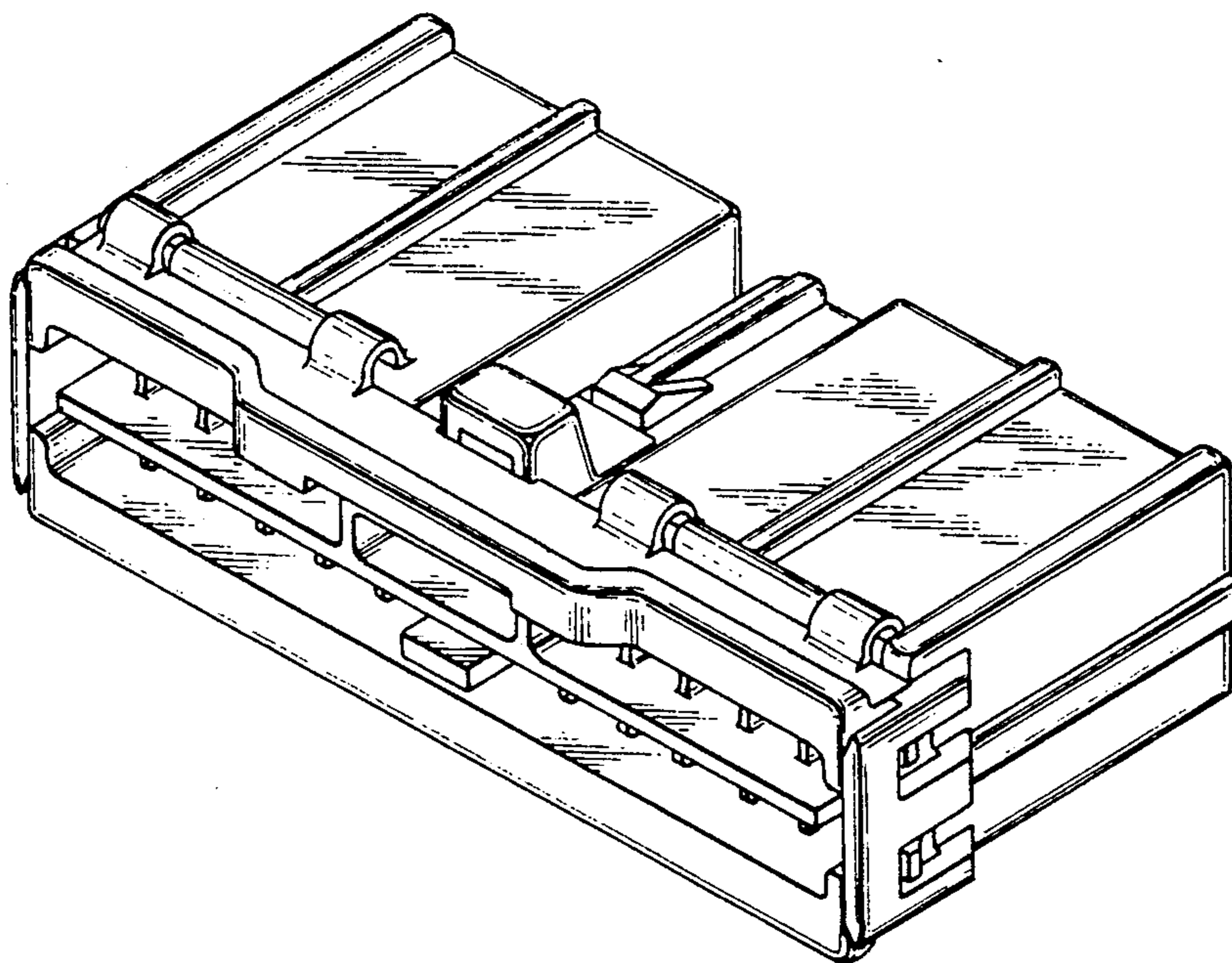


FIG. 1

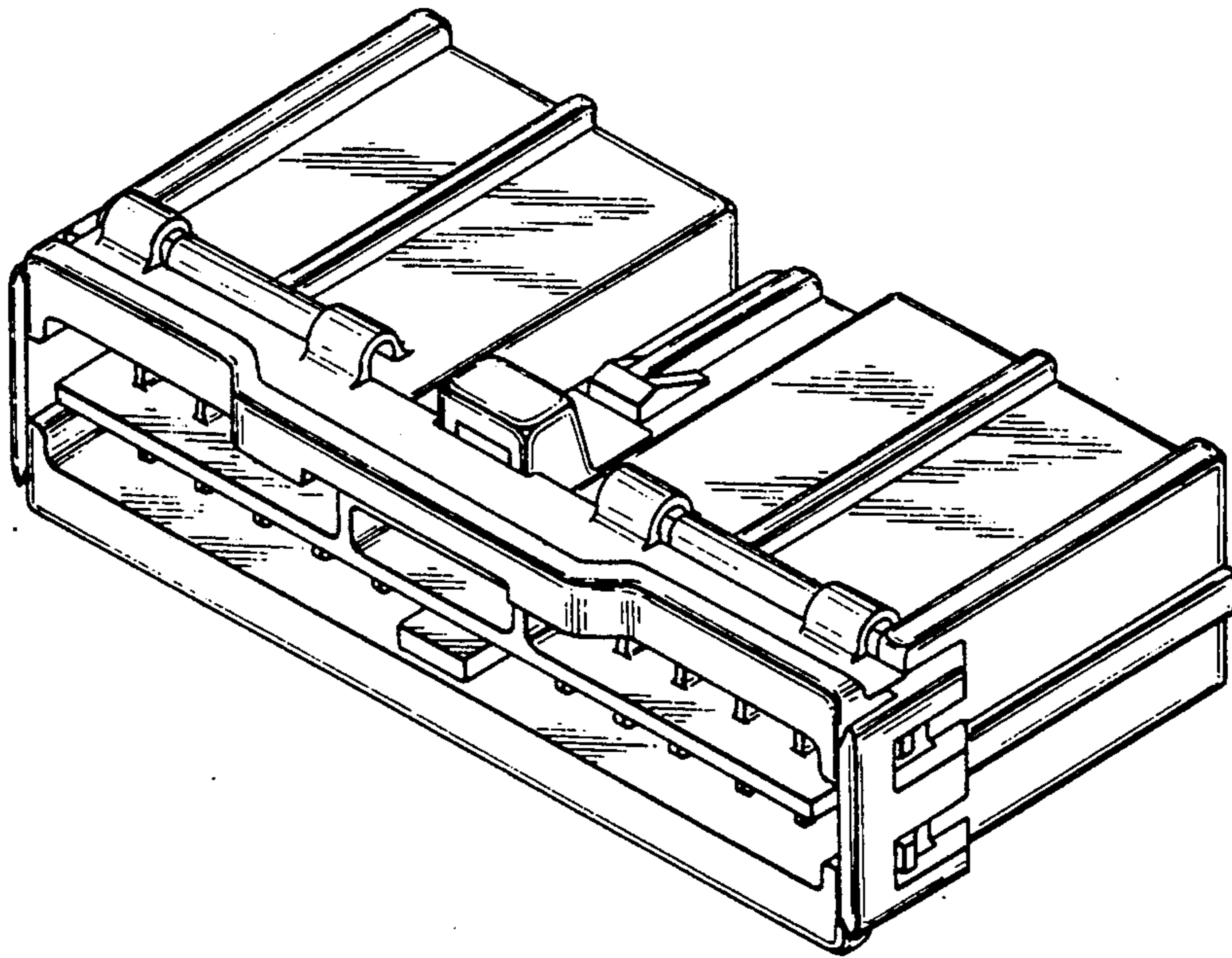


FIG. 2

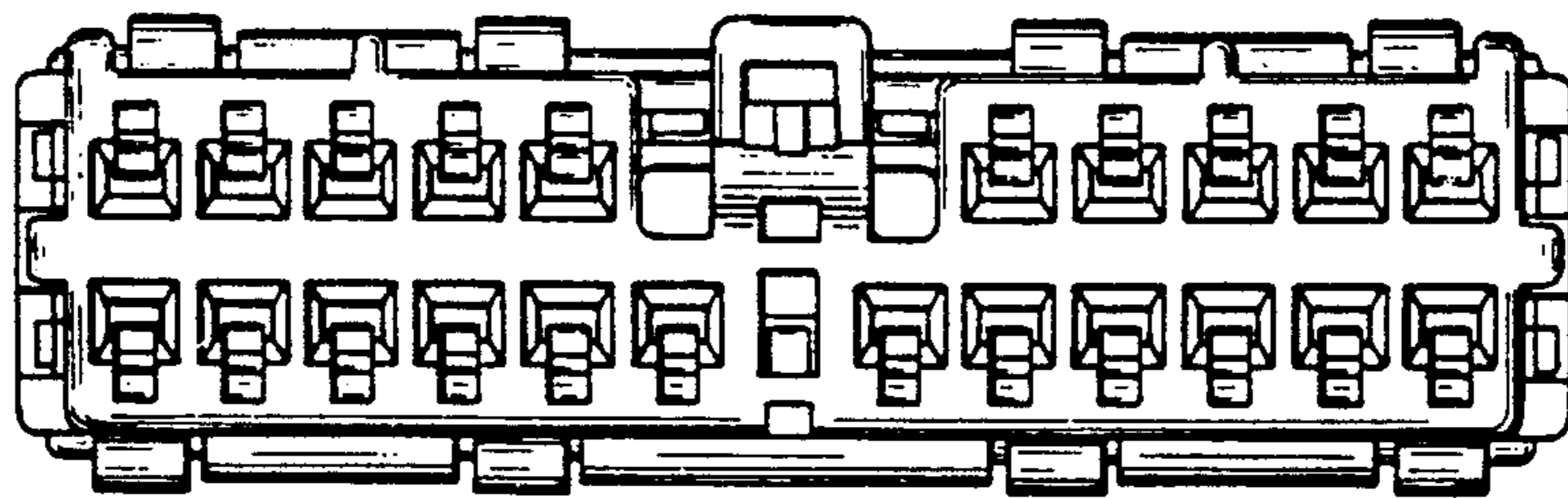


FIG. 3

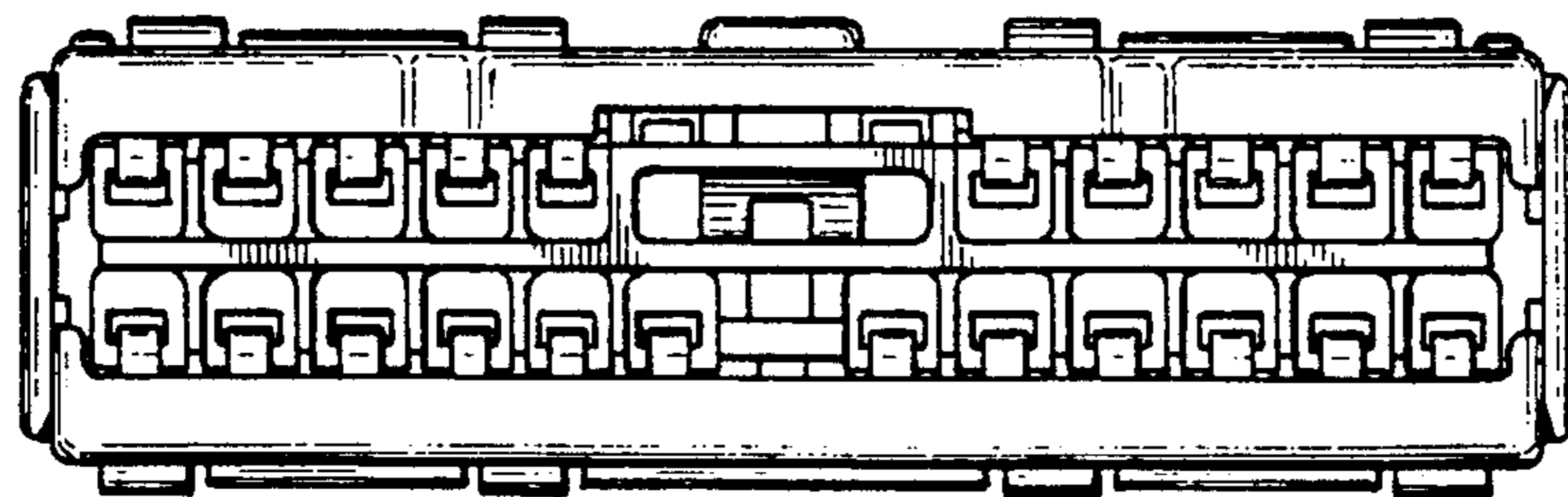


FIG. 4

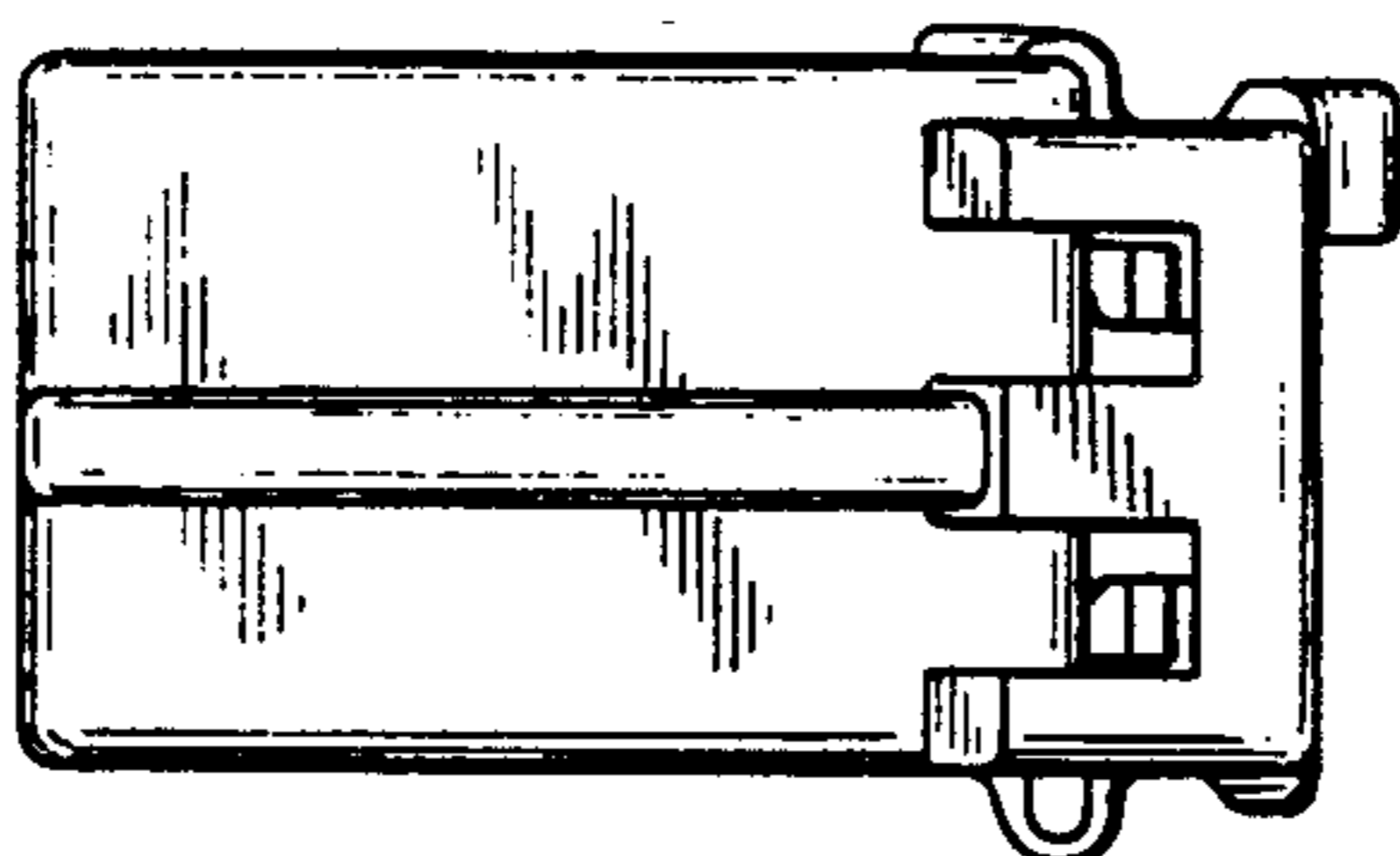


FIG. 5

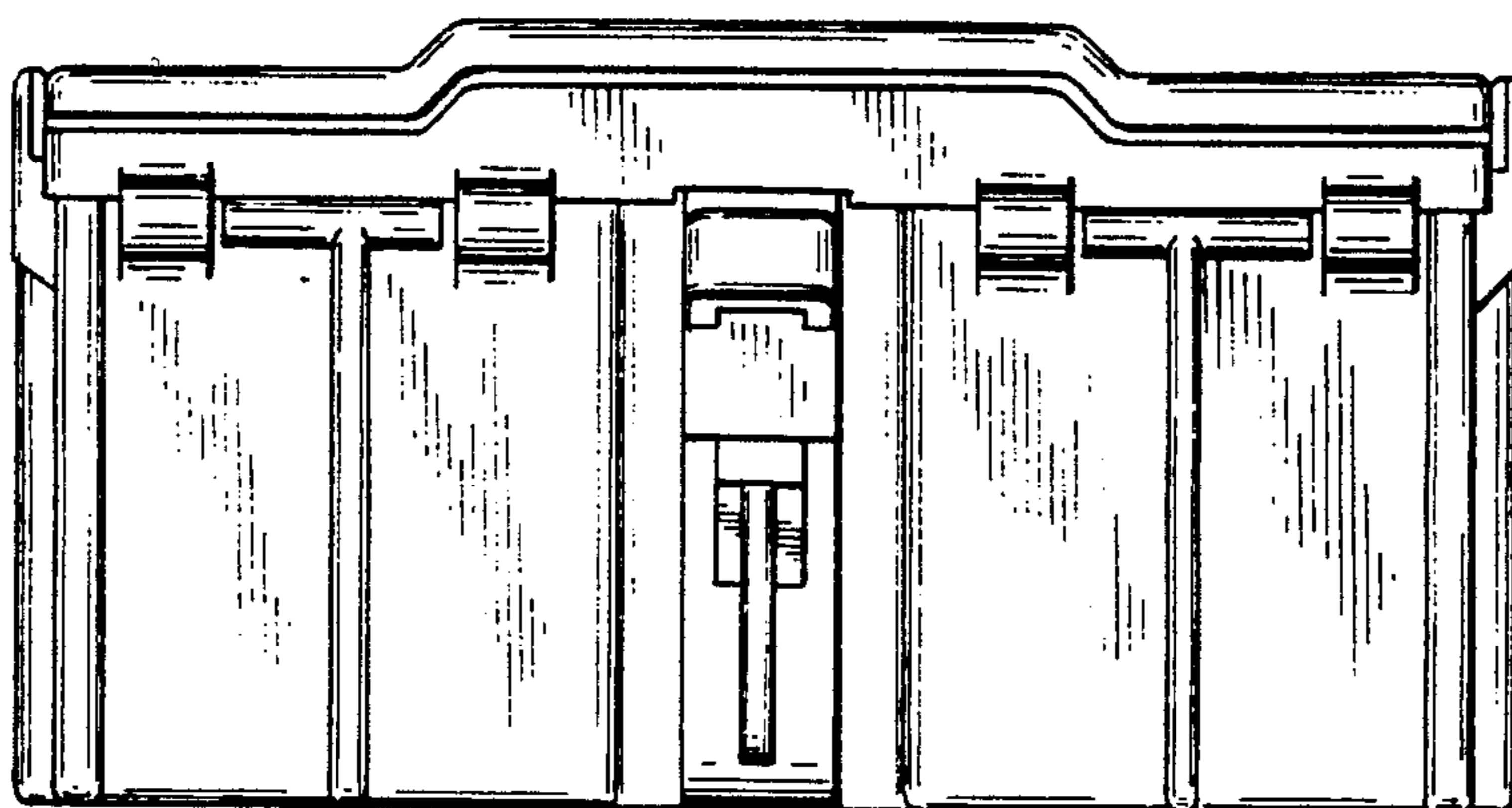
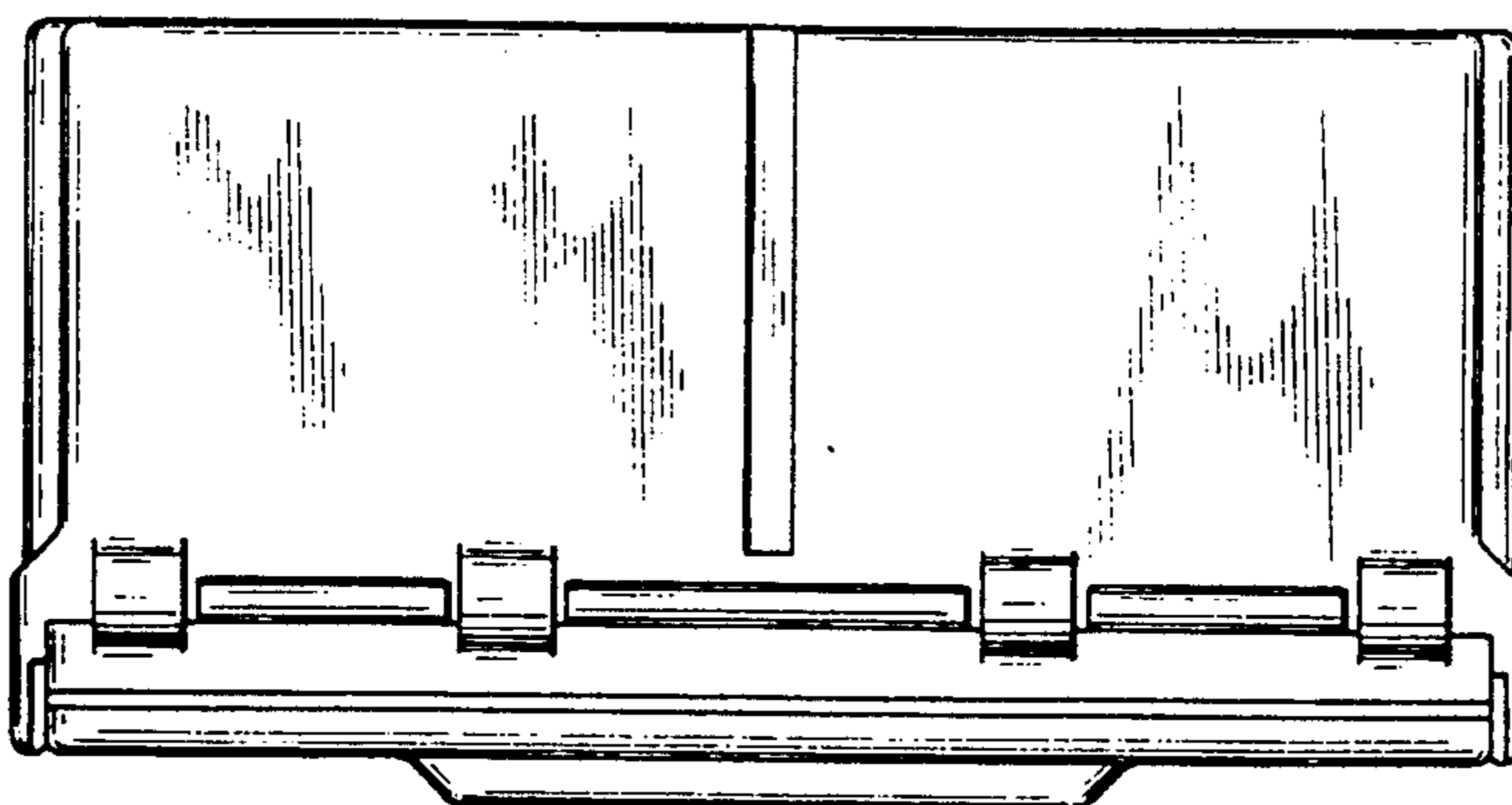


FIG. 6



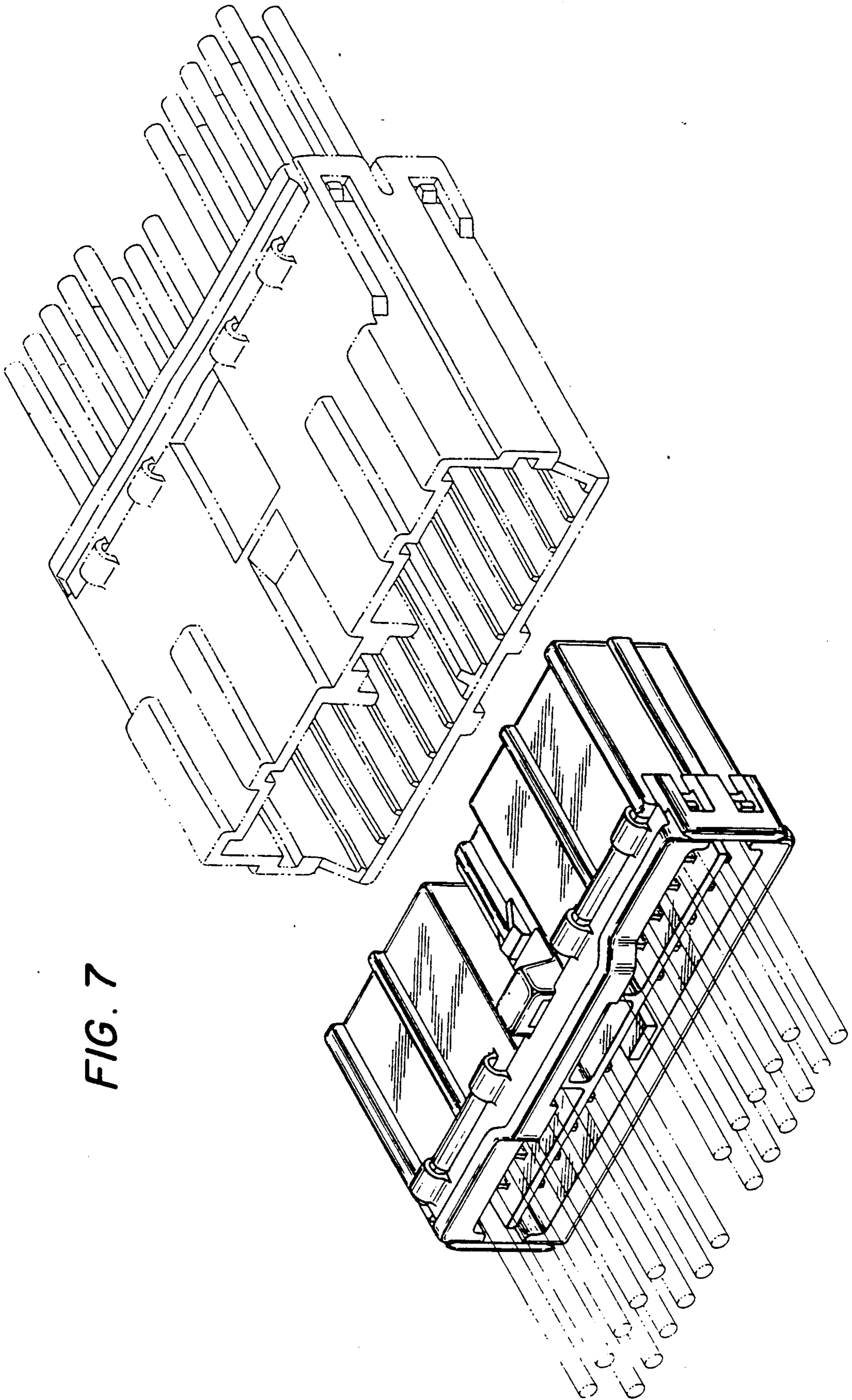


FIG. 7