

[54] ELECTRICAL CONNECTOR WITH HOUSING

[75] Inventors: Toshiro Maejima; Seiji Kozono; Masaru Fukuda, all of Shizuoka, Japan

[73] Assignee: Yazaki Corporation, Japan

[**] Term: 14 Years

[21] Appl. No.: 168,336

[22] Filed: Mar. 15, 1988

[30] Foreign Application Priority Data

Sep. 16, 1987 [JP] Japan 62-37496
Sep. 16, 1987 [JP] Japan 62-37497

[52] U.S. Cl. D13/147

[58] Field of Search D13/133, 139; 439/660, 439/682, 685, 571

[56] References Cited

U.S. PATENT DOCUMENTS

4,657,331 4/1987 Coldren 439/571

FOREIGN PATENT DOCUMENTS

0274408 9/1964 Netherlands 439/682

OTHER PUBLICATIONS

Hosiden Connectors HMC5120 and HMC7120 on p. 13, 1987 catalog.

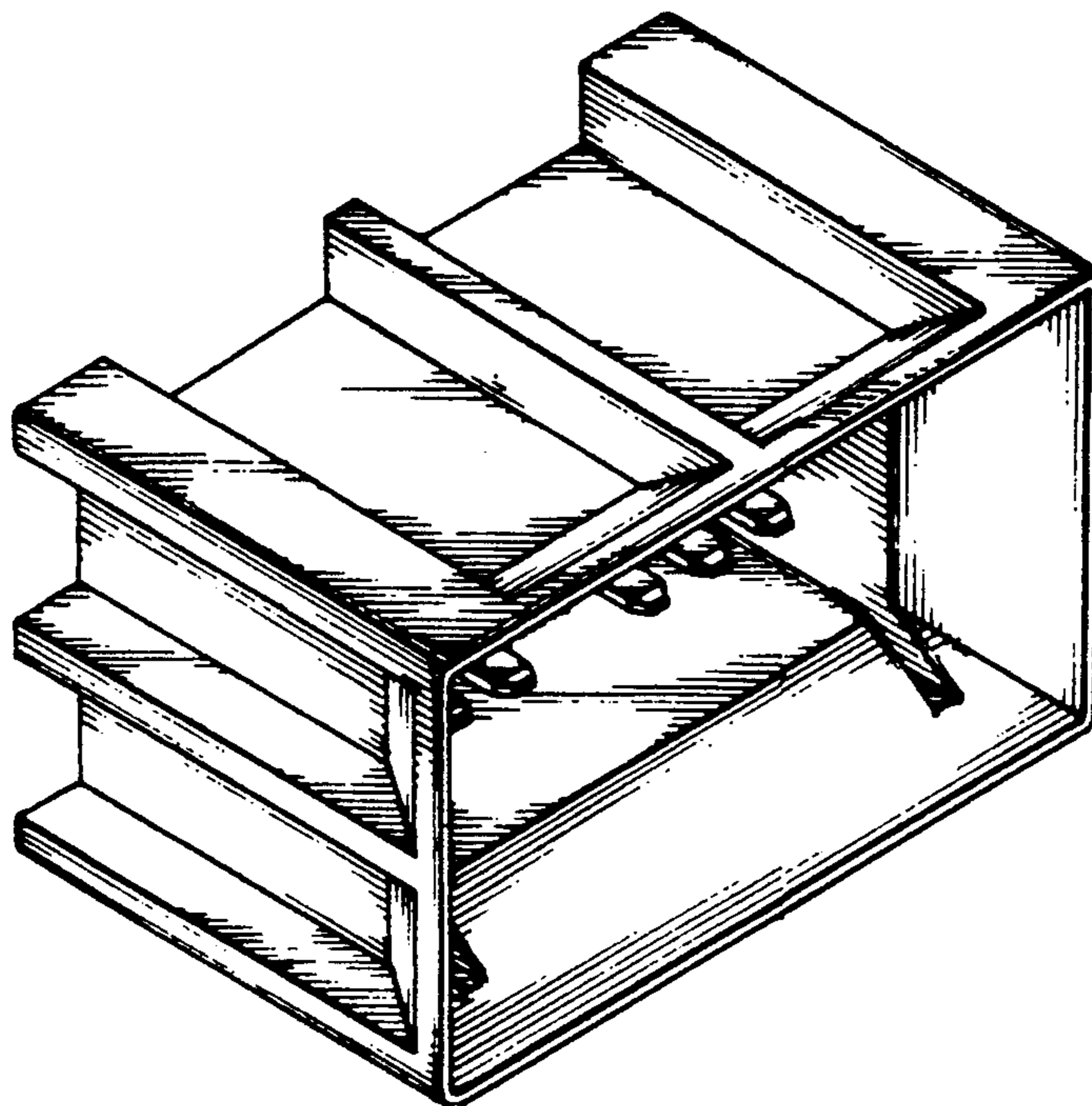
Primary Examiner—Susan J. Lucas
Assistant Examiner—Joel Sincavage
Attorney, Agent, or Firm—Jones, Askew & Lunsford

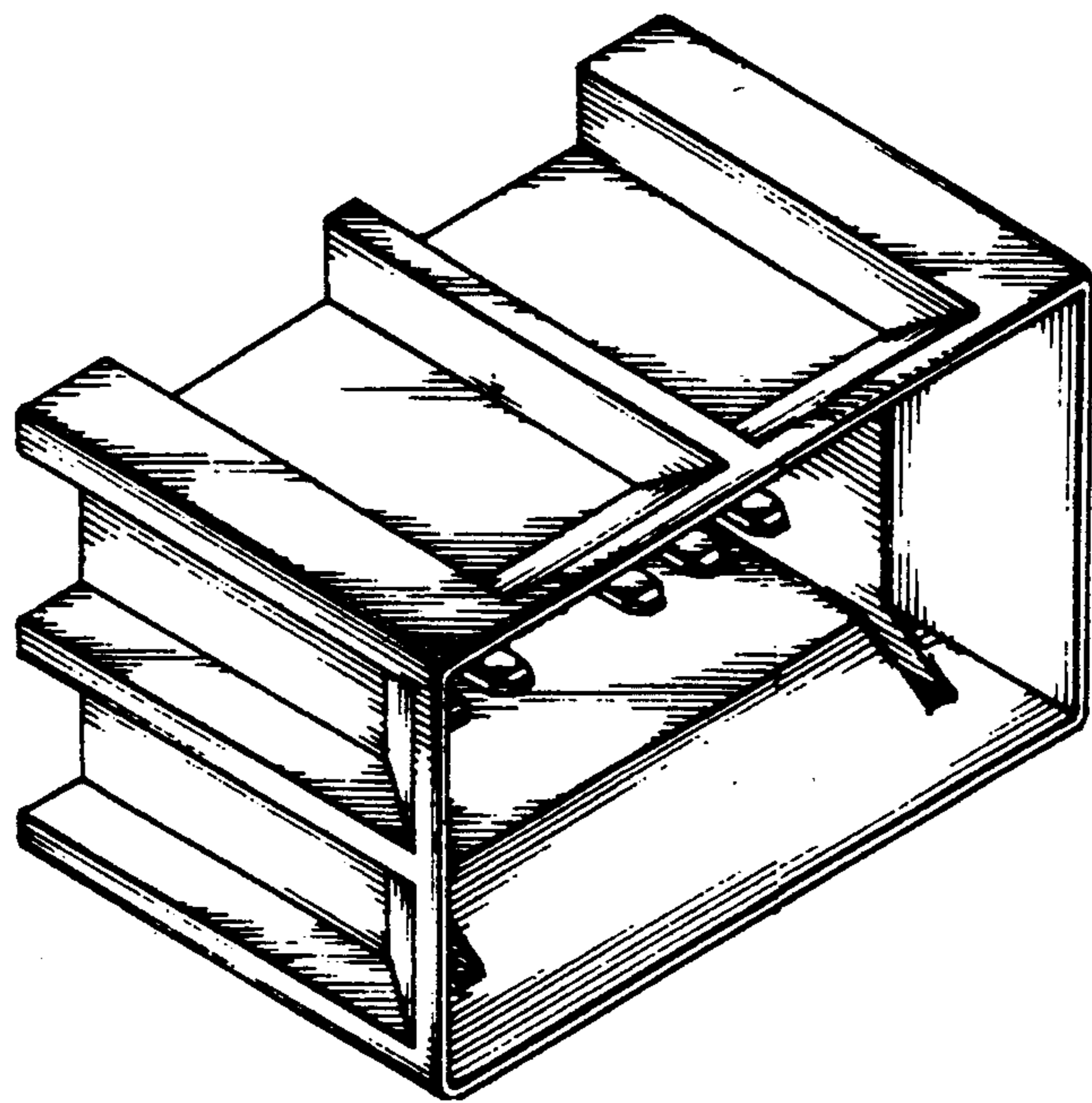
[57] CLAIM

The ornamental design for an electrical connector with housing, as shown and described.

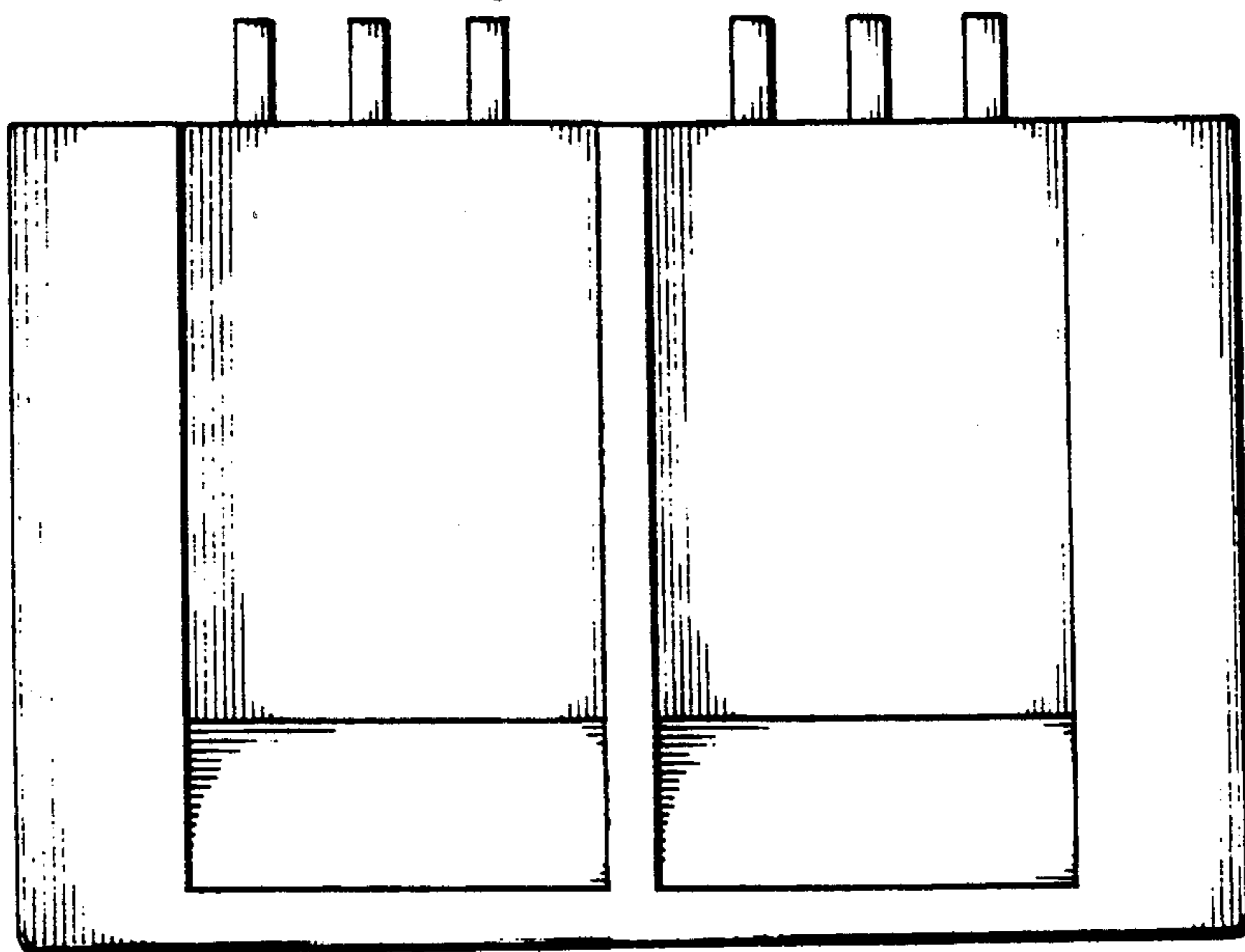
DESCRIPTION

FIG. 1 is a perspective view of an electrical connector with housing showing our new design;
FIG. 2 is a top plan view thereof;
FIG. 3 is a front elevational view thereof;
FIG. 4 is a bottom plan view thereof;
FIG. 5 is a right side elevational view thereof, the left side elevational view being a mirror image;
FIG. 6 is a rear elevational view thereof;
FIG. 7 is a perspective view of an electrical connector with housing showing a second embodiment of our new design;
FIG. 8 is a top plan view thereof;
FIG. 9 is a front elevational view thereof;
FIG. 10 is a bottom plan view thereof;
FIG. 11 is a right side elevational view thereof, the left side elevational view being a mirror image;
FIG. 12 is a rear elevational view thereof.

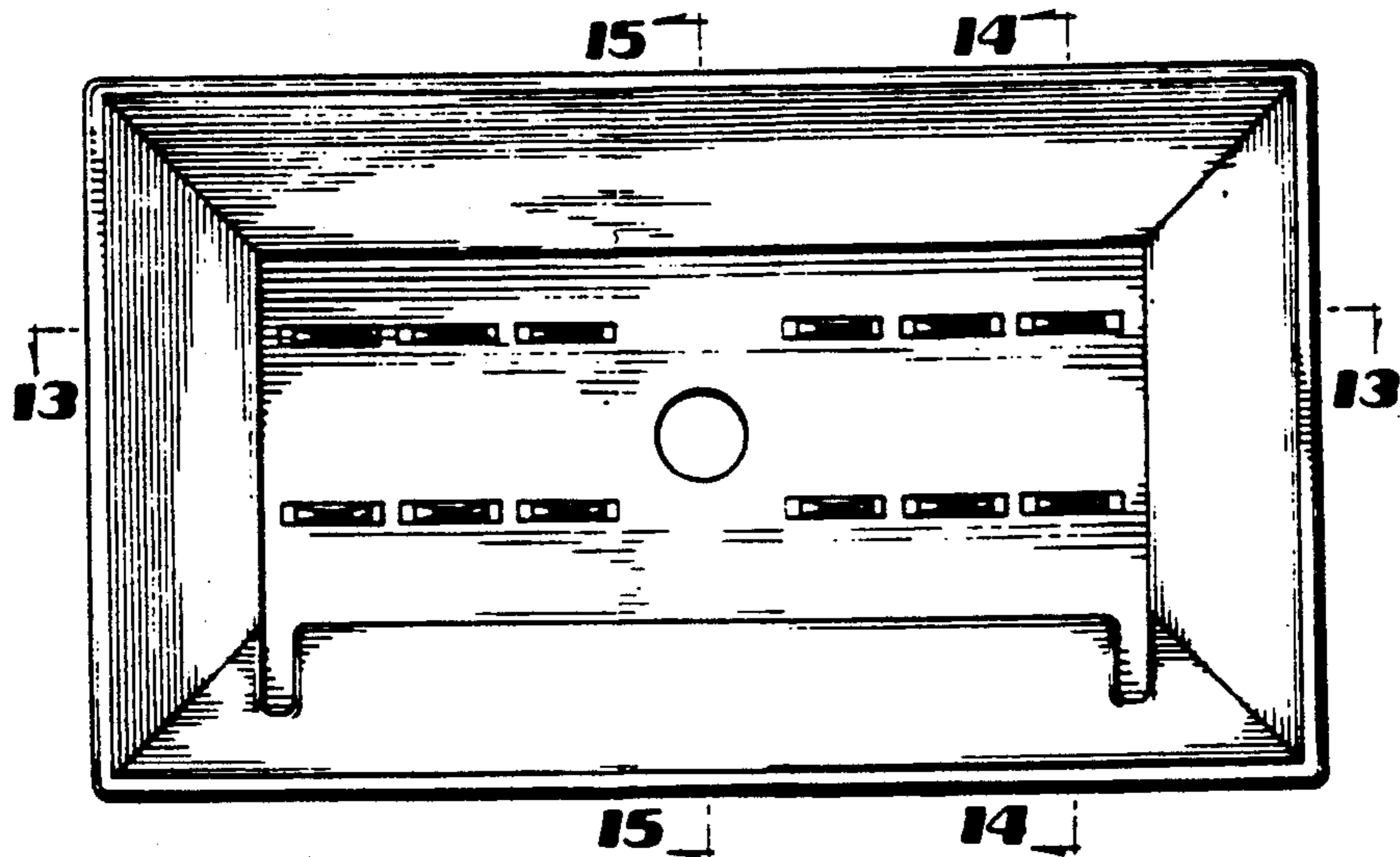




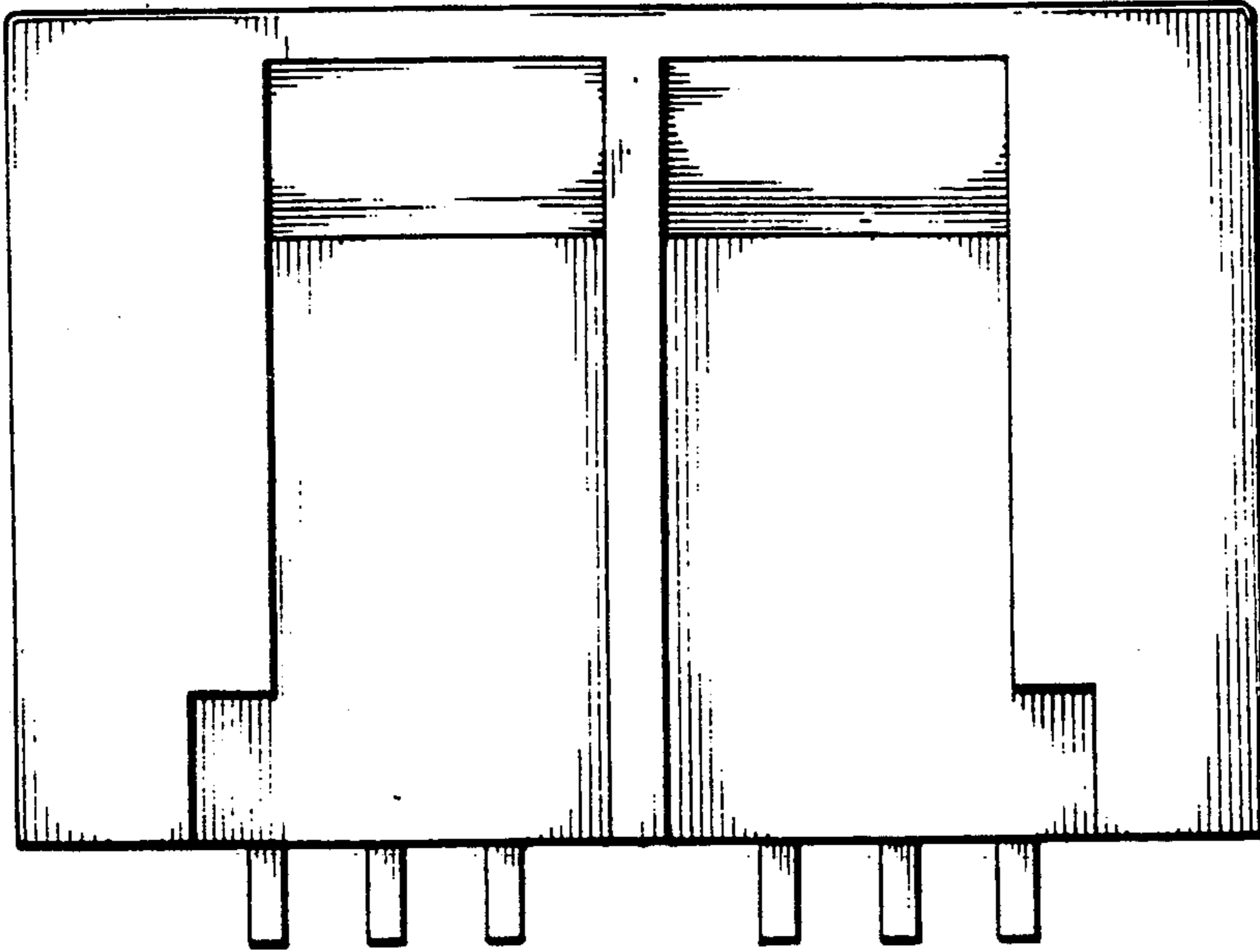
**FIG
1**



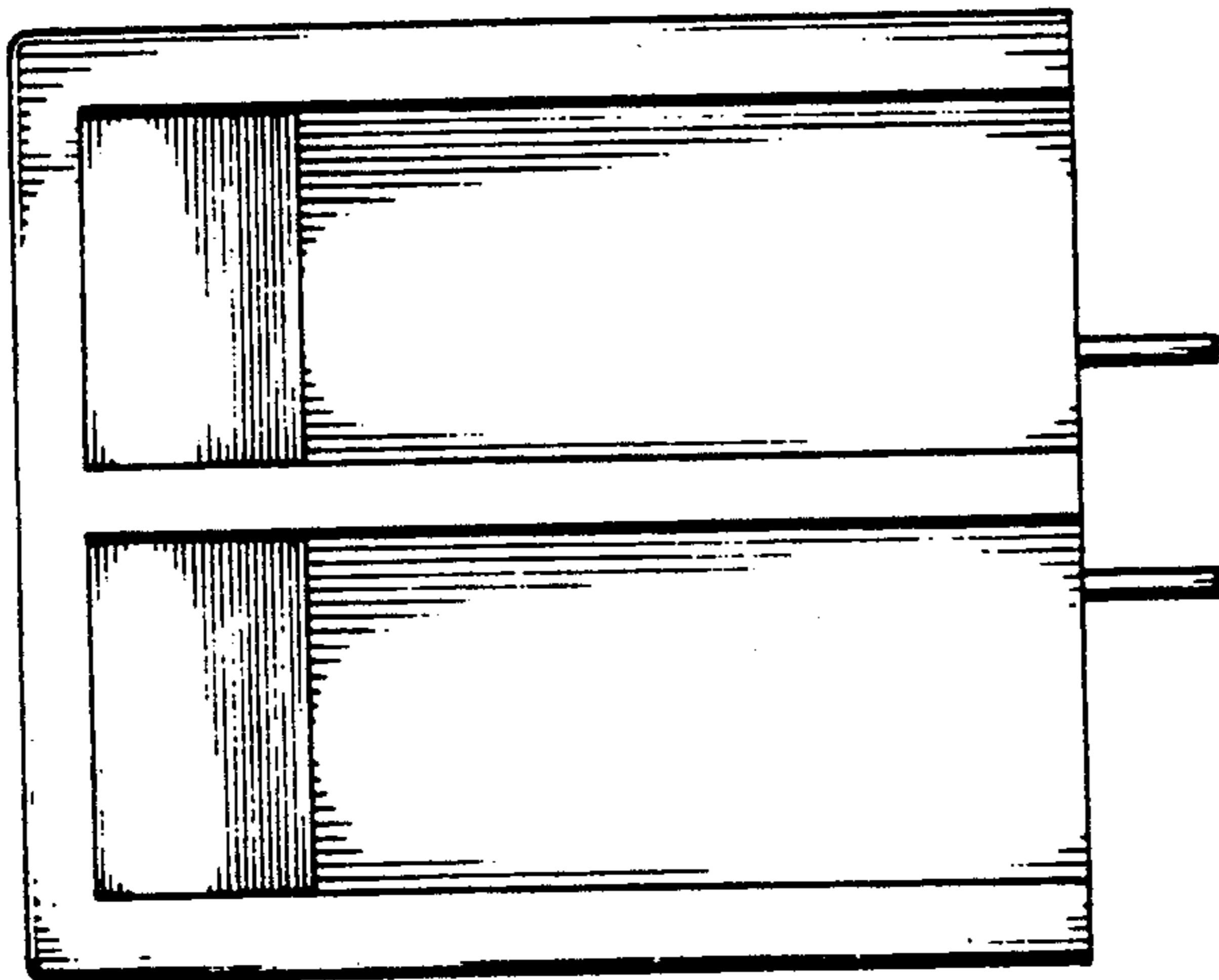
**FIG
2**



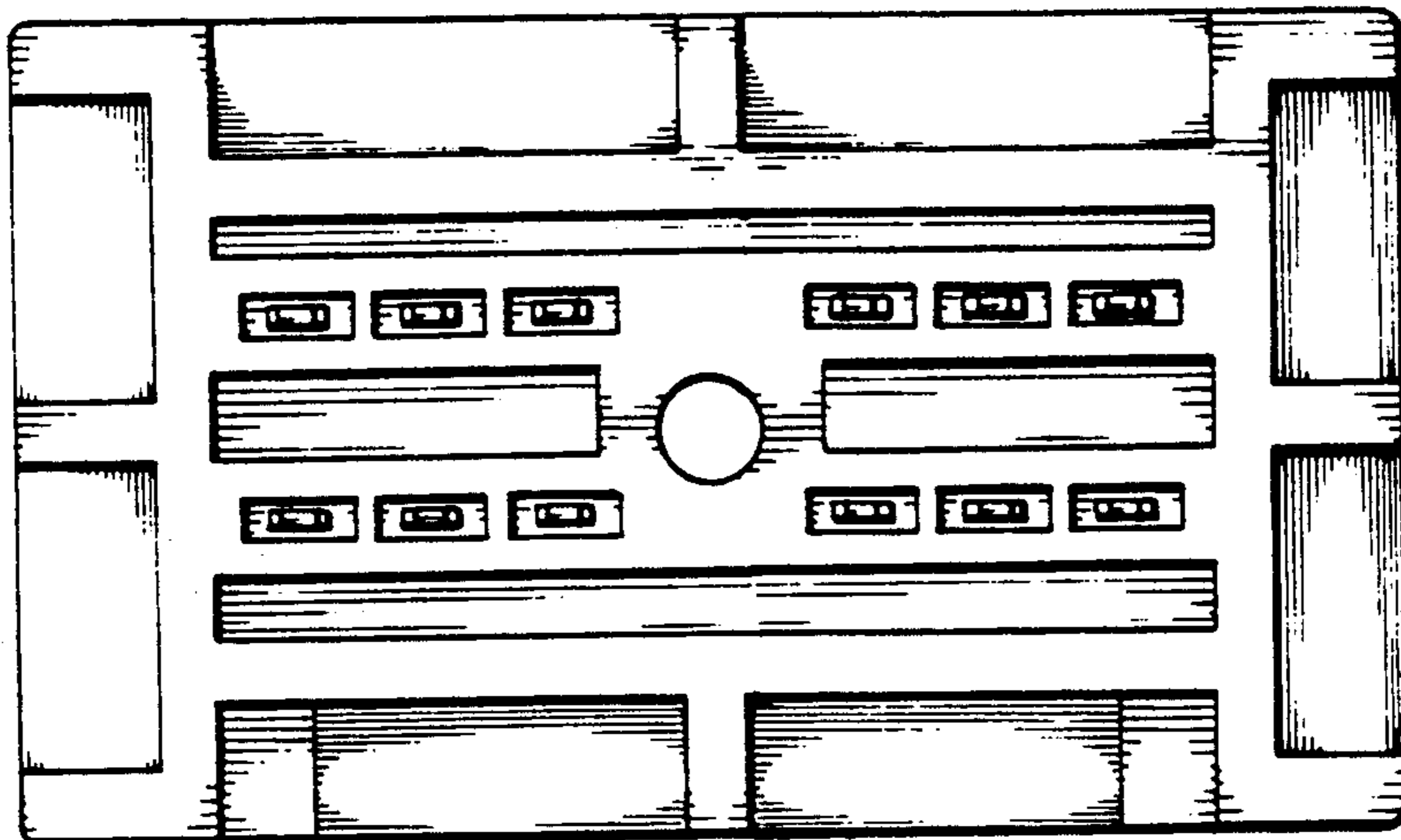
**FIG
3**



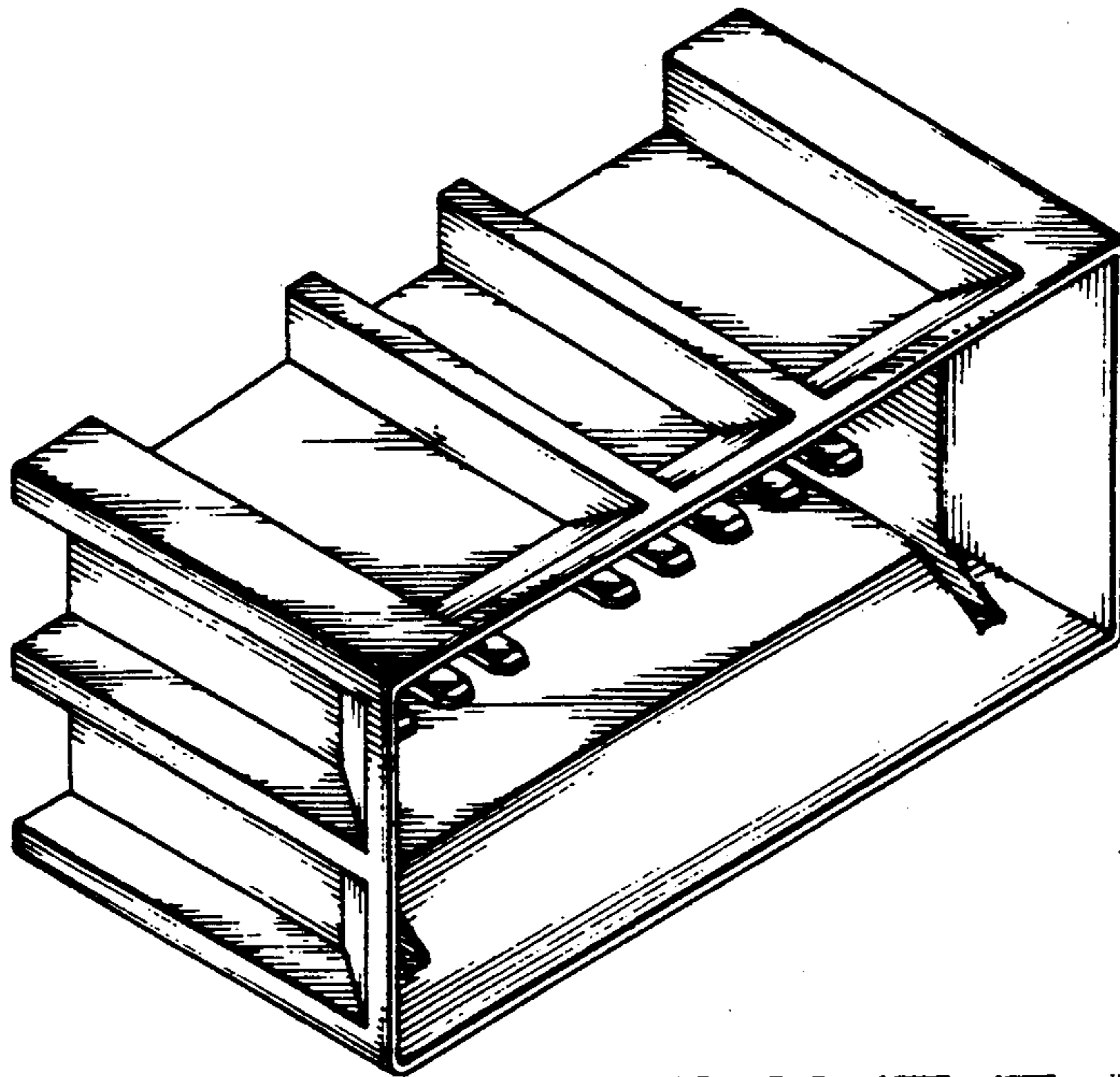
**FIG
4**



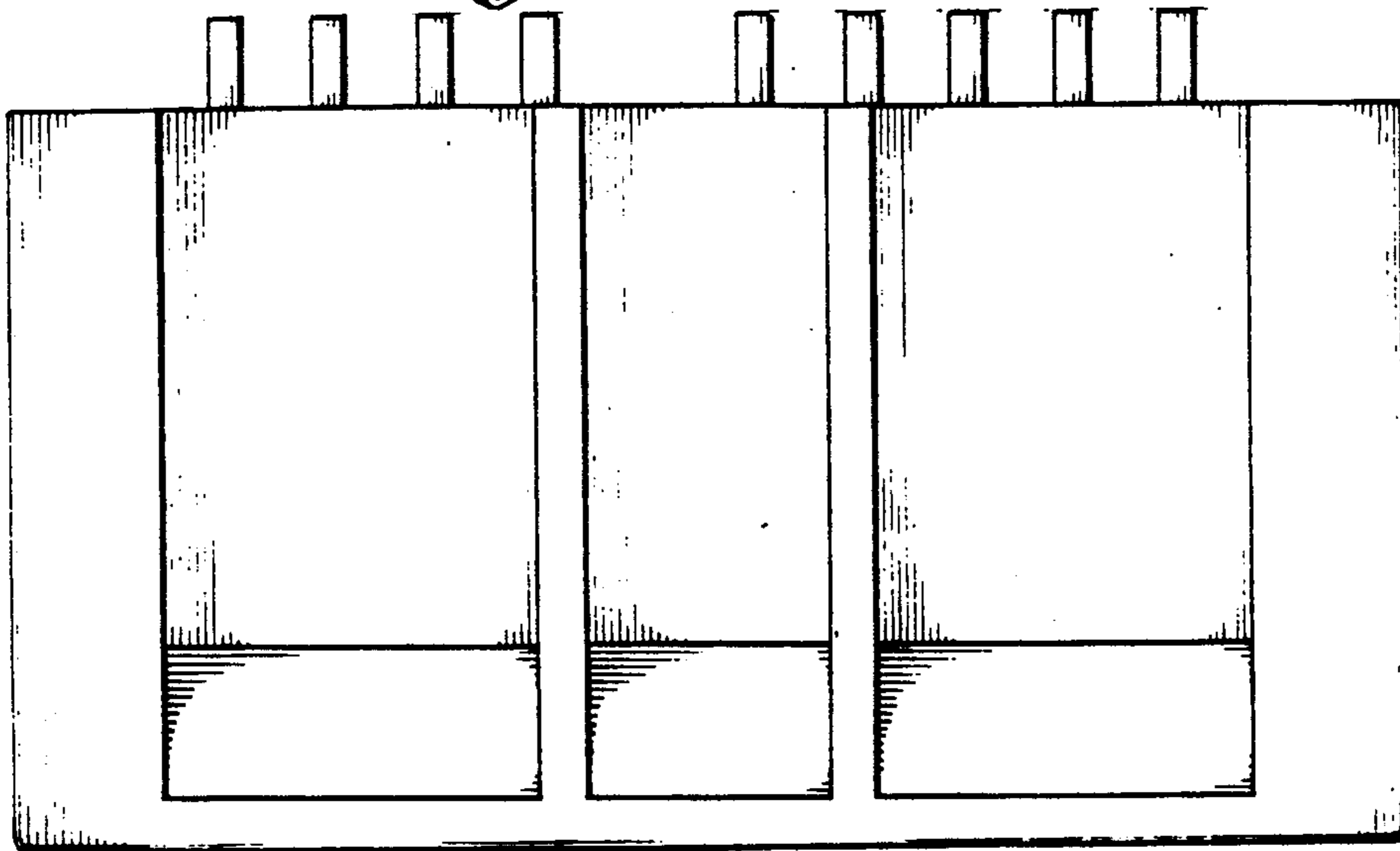
**FIG
5**



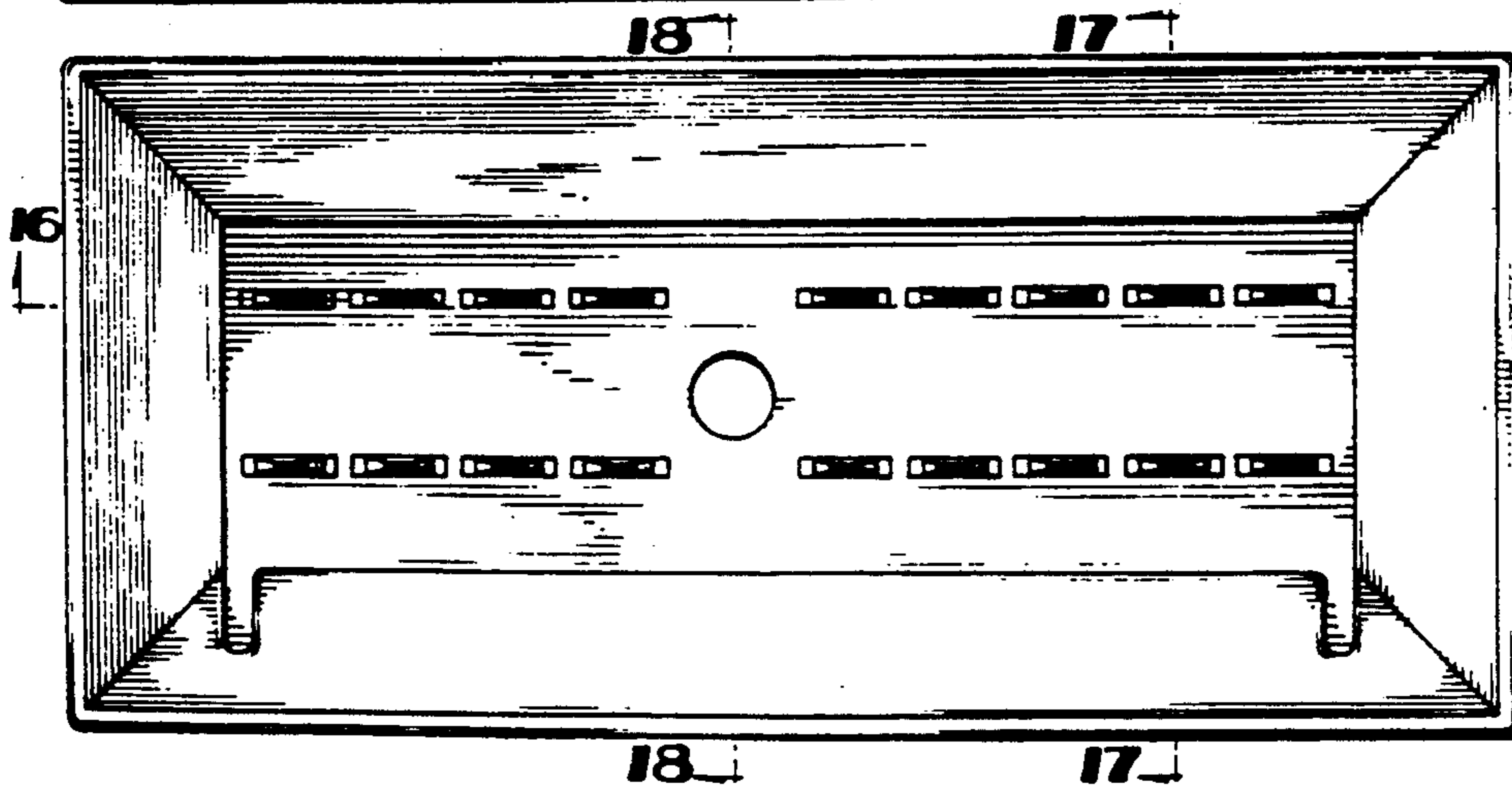
**FIG
6**



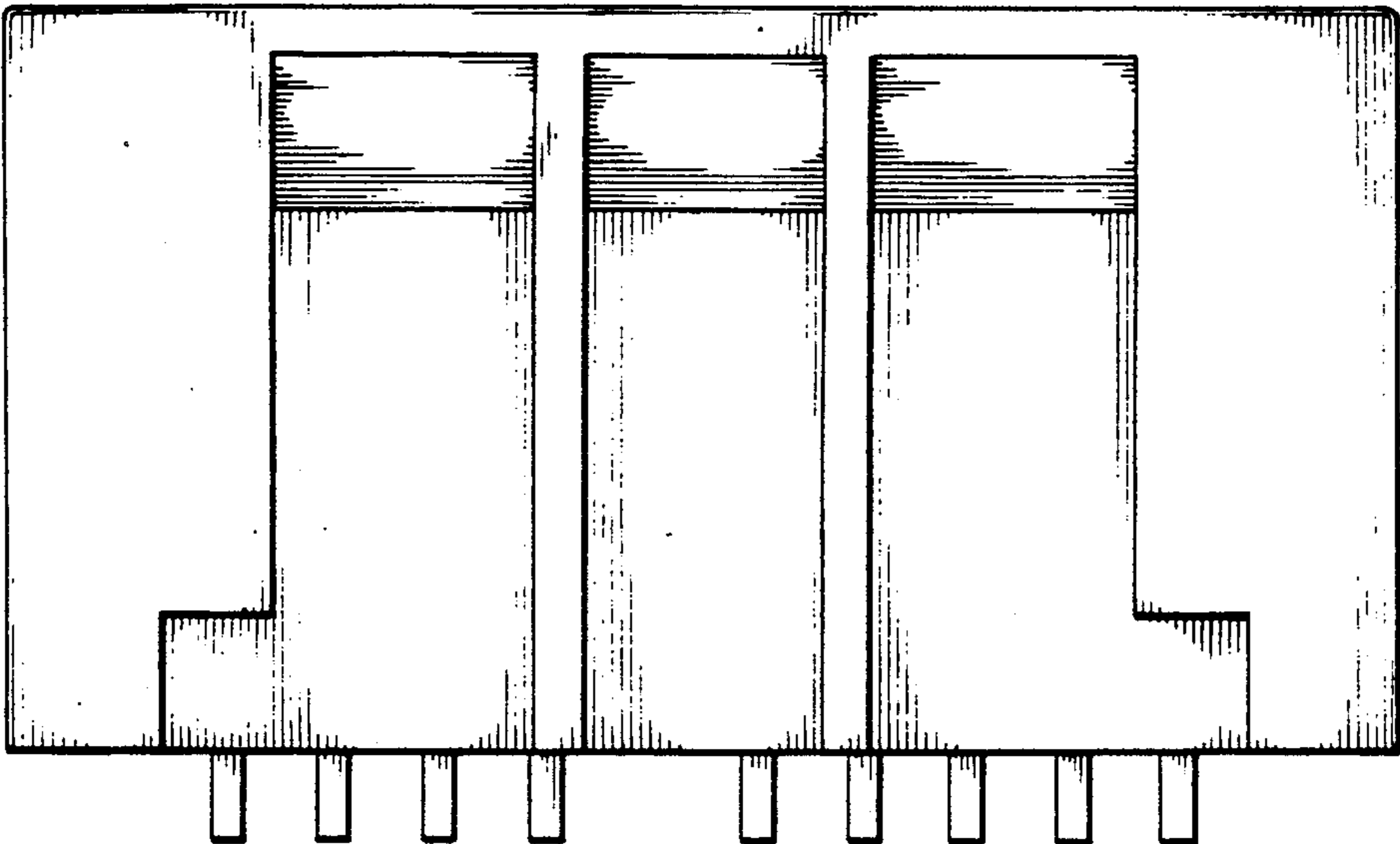
**FIG
7**



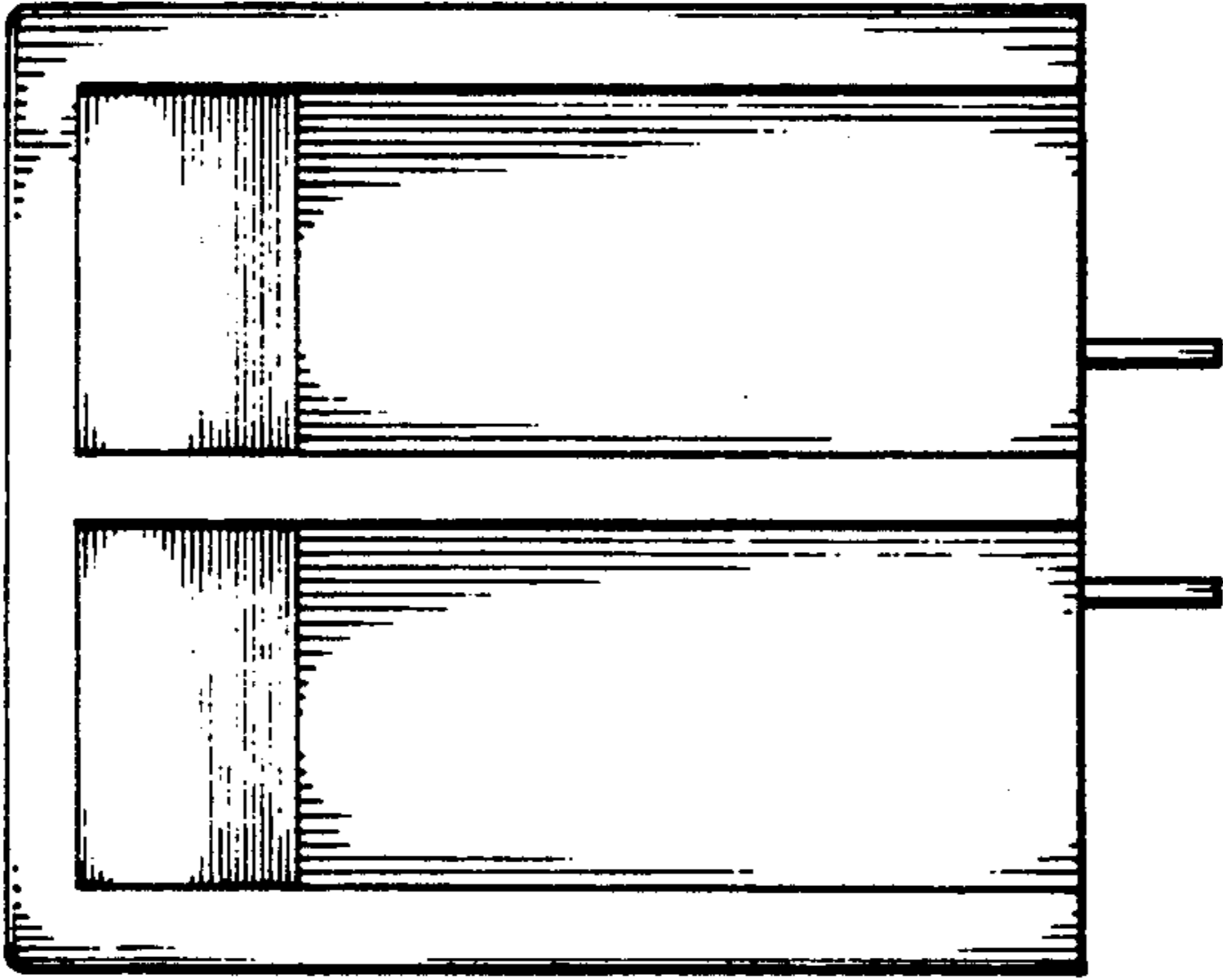
**FIG
8**



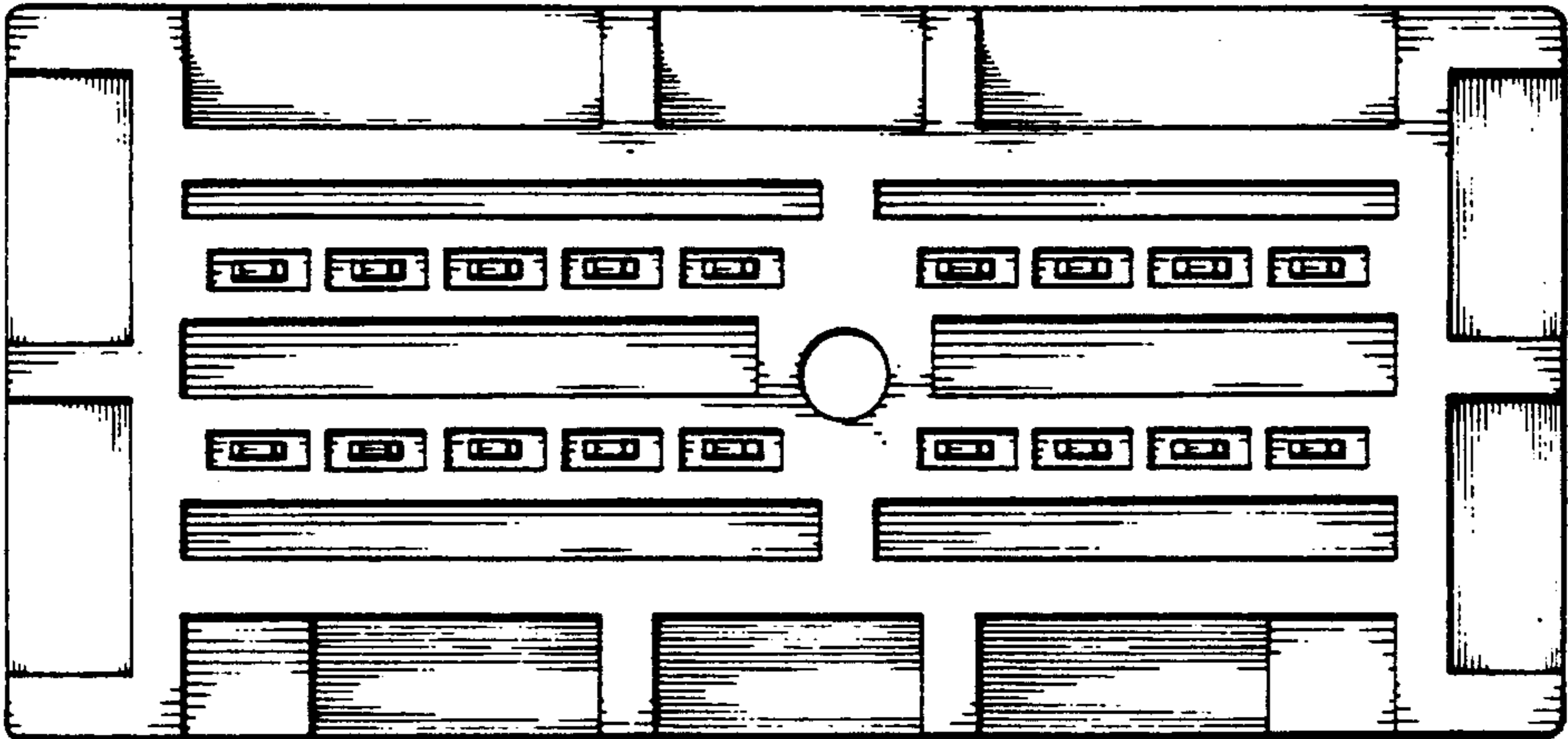
**FIG
9**



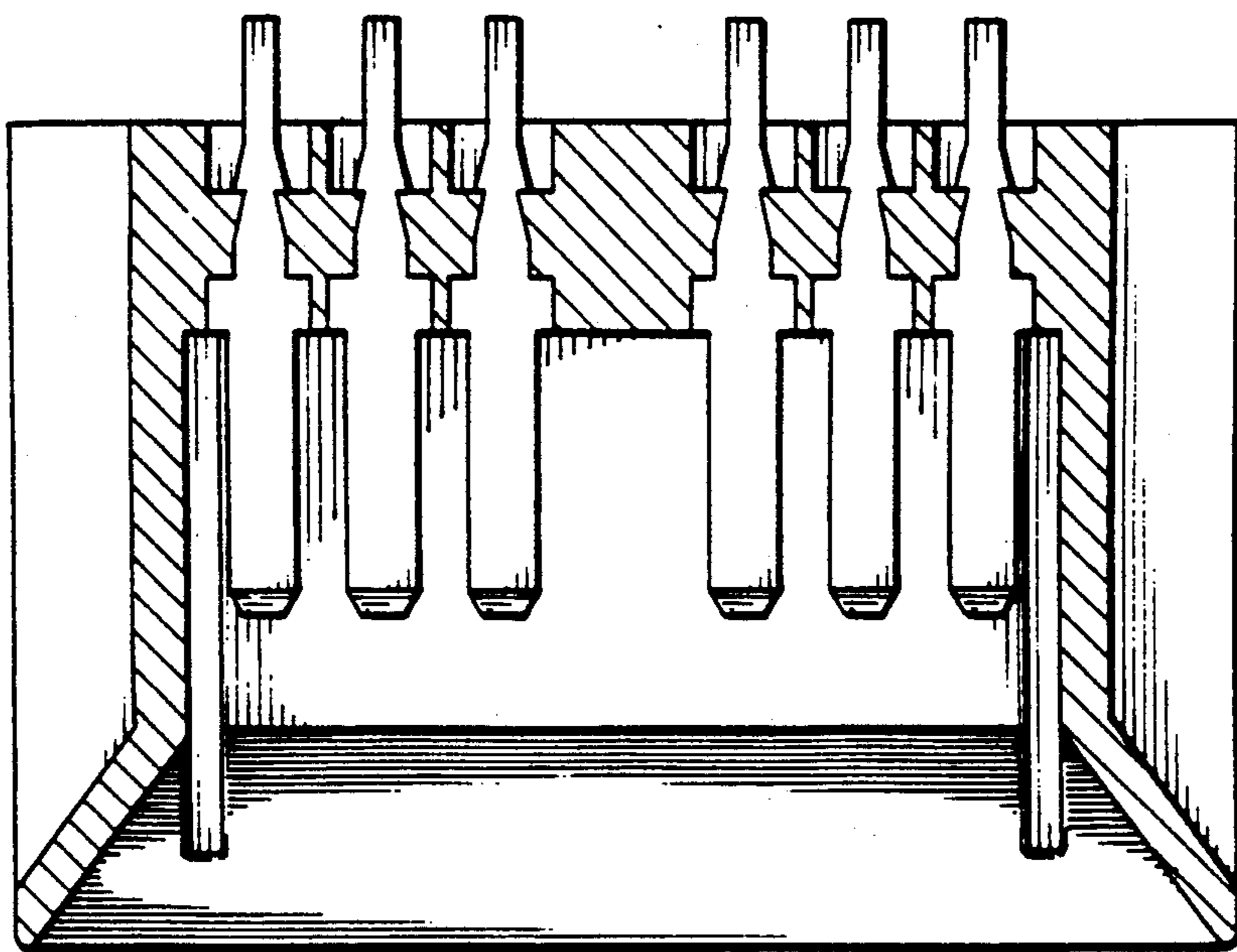
**FIG
10**



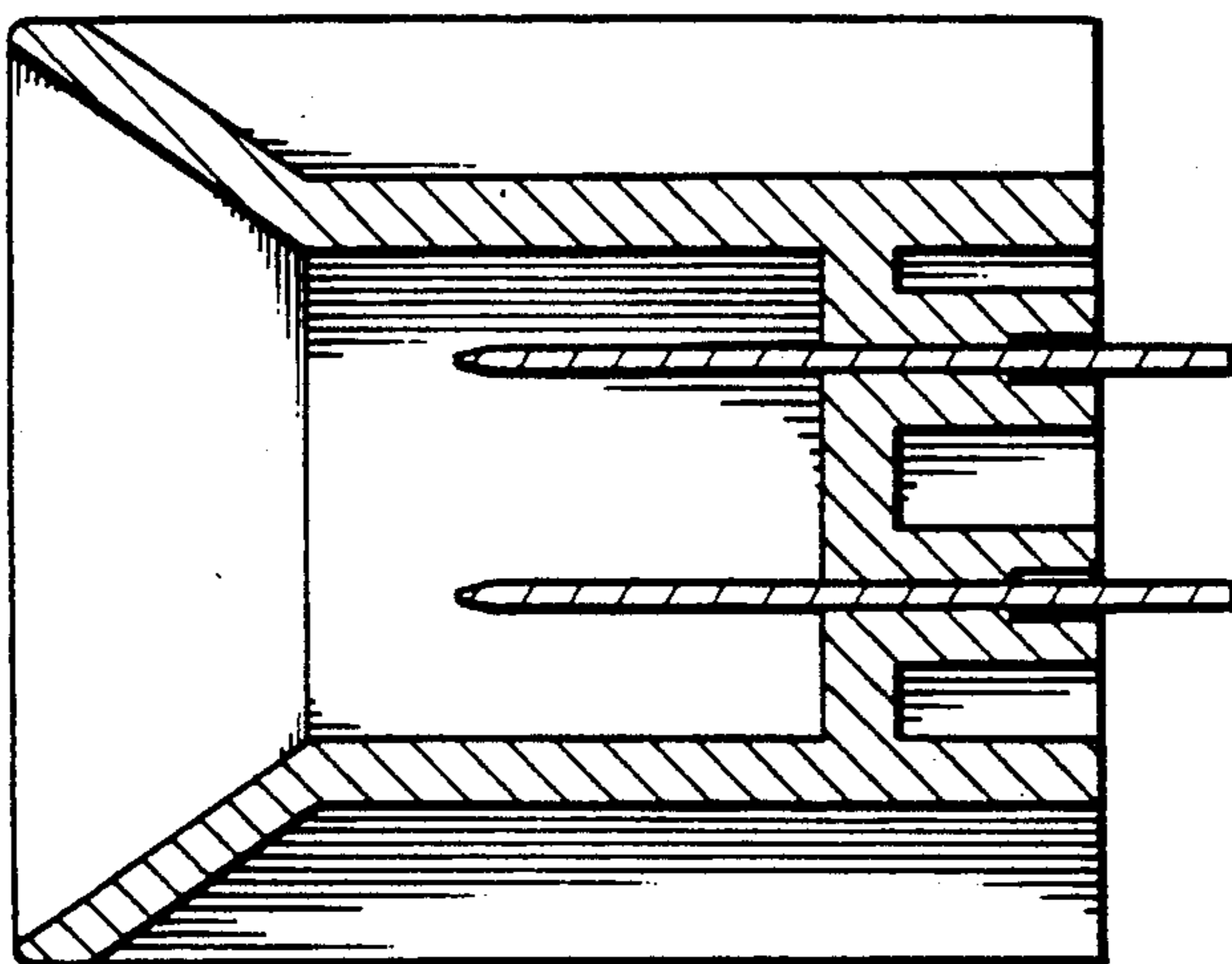
**FIG
11**



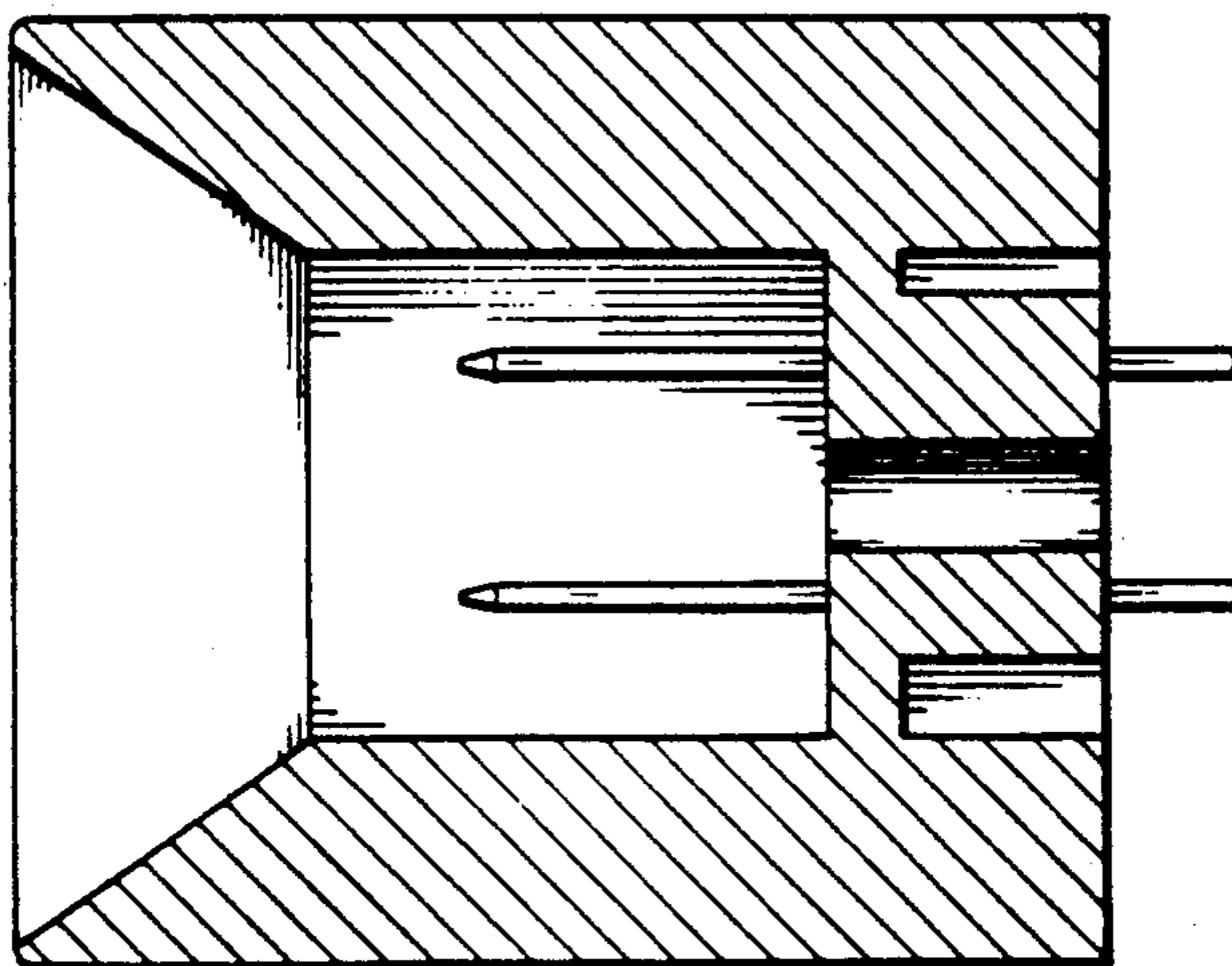
**FIG
12**



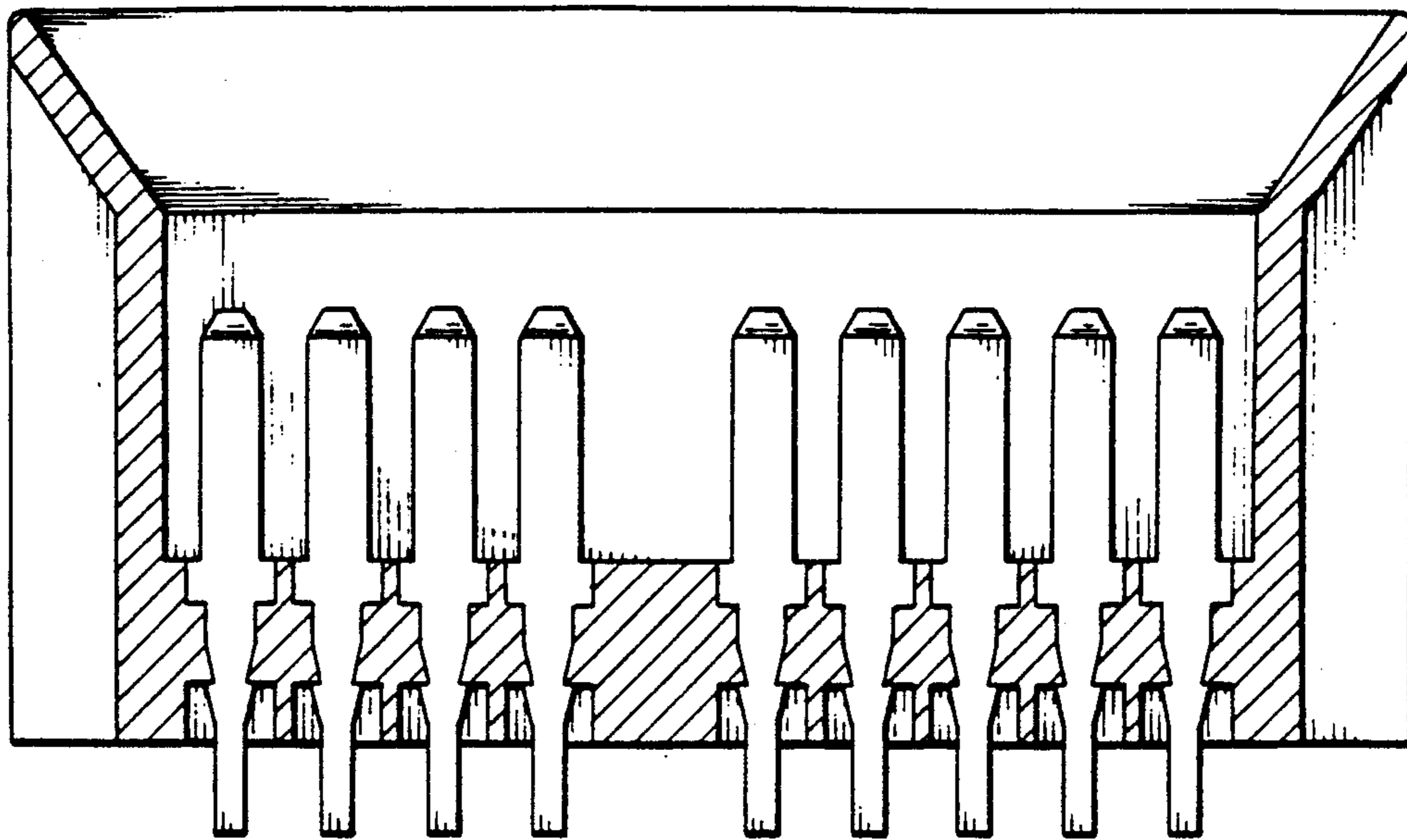
**FIG
13**



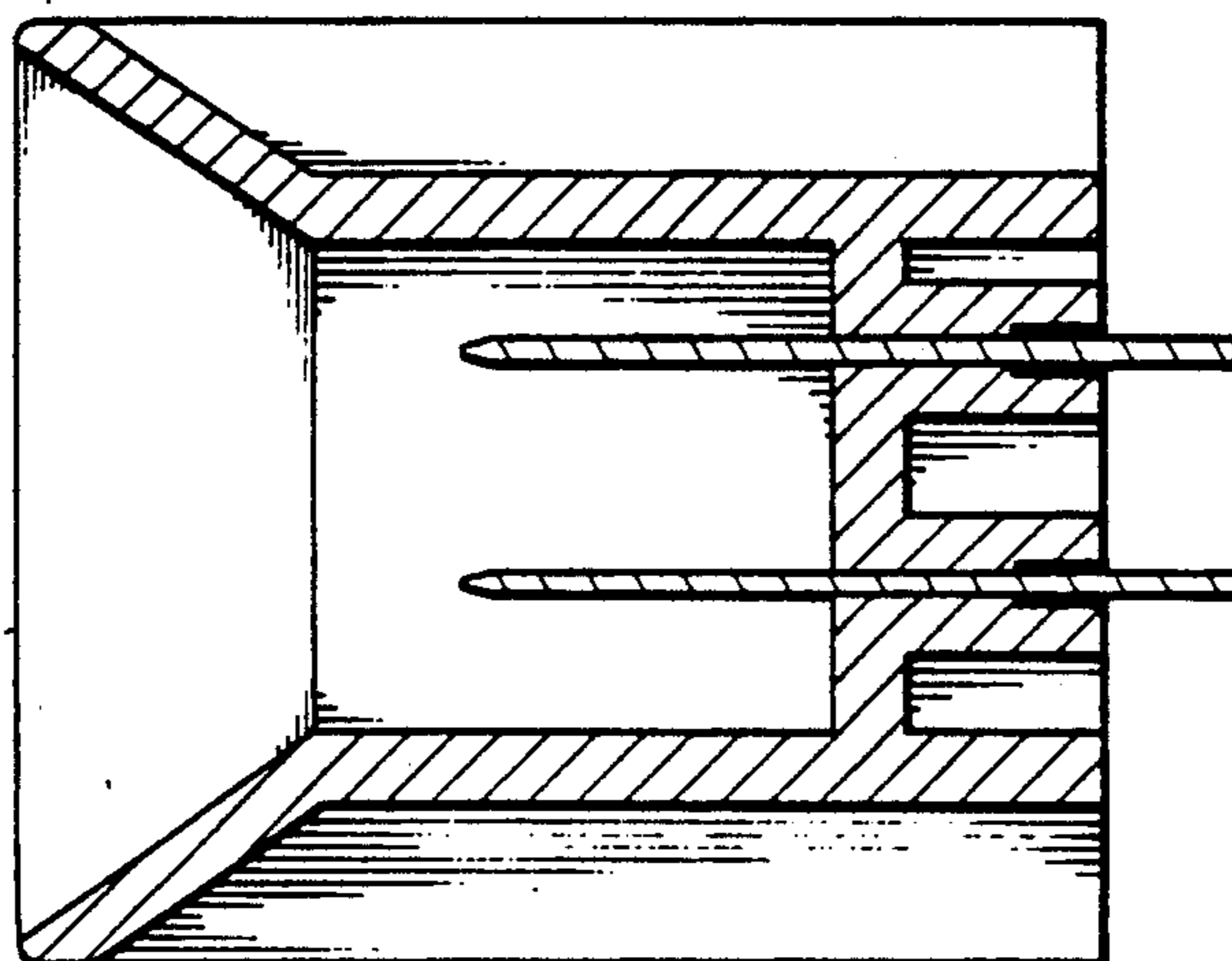
**FIG
14**



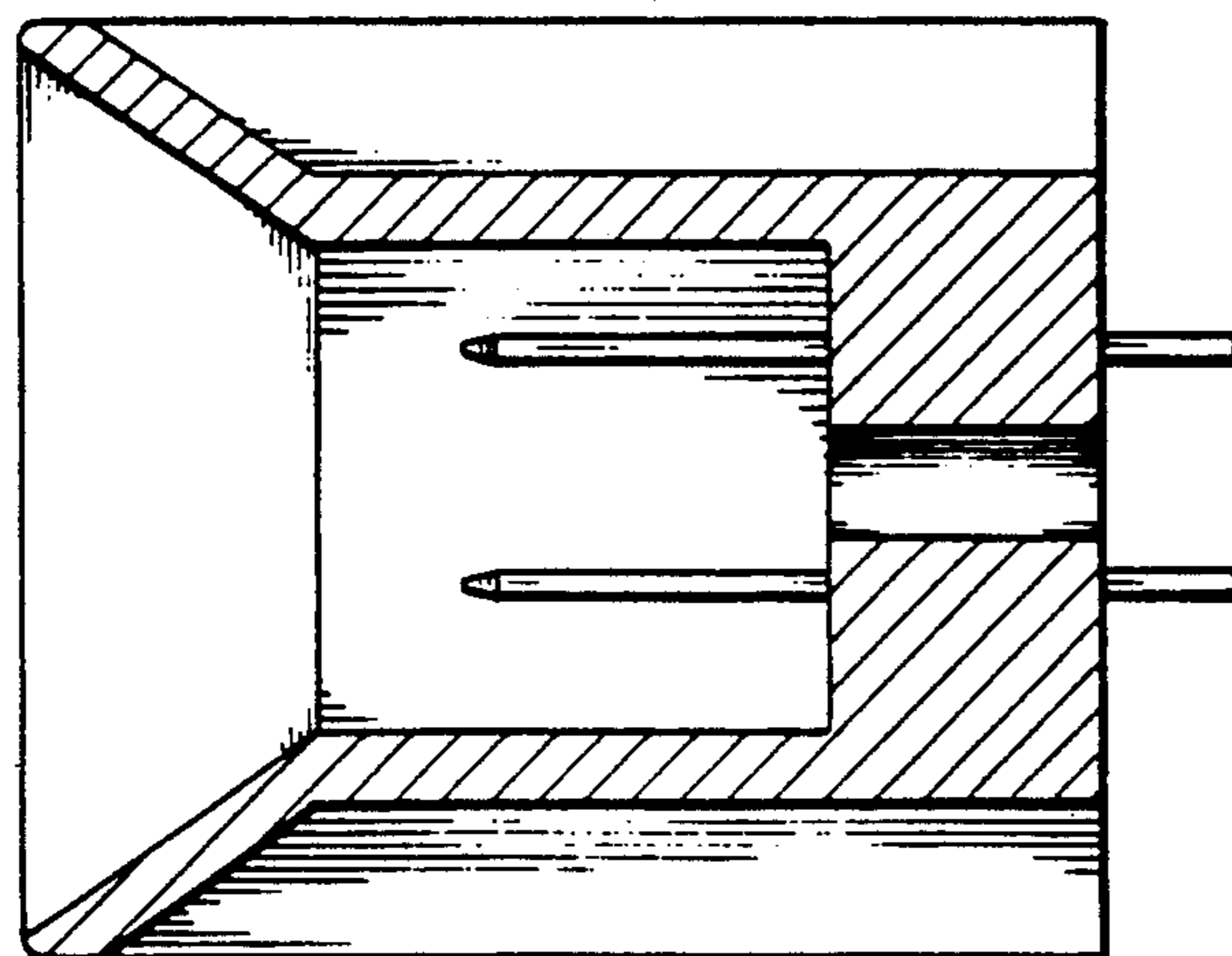
**FIG
15**



**FIG
16**



**FIG
17**



**FIG
18**