

[54] MALE ELECTRICAL CONNECTOR

[75] Inventors: Joseph S. Wegrzyn, Stratford; Robert M. Johnstone, Fairfield, both of Conn.

[73] Assignee: Dual-Lite, Inc., Newtown, Conn.

[\*\*] Term: 14 Years

[21] Appl. No.: 281,234

[22] Filed: Dec. 7, 1988

[52] U.S. Cl. .... D13/146

[58] Field of Search ..... D13/133, 146, 147; 439/353, 344, 357, 544, 550, 571, 572, 586, 587, 595, 603, 660, 682, 685, 686, 687, 695, 696, 701

[56] References Cited

U.S. PATENT DOCUMENTS

4,283,106 8/1981 Bunnell ..... 439/571

4,504,108 3/1985 Fiumefreddo et al. .... 439/571 X  
4,630,880 12/1986 Durand ..... 439/595

Primary Examiner—Susan J. Lucas  
Assistant Examiner—Joel Sincavage  
Attorney, Agent, or Firm—Mattern, Ware, Stoltz & Fressola

[57] CLAIM

The ornamental design for a male electrical connector, as shown and described.

DESCRIPTION

FIG. 1 is a perspective view of a male electrical connector showing our new design;  
FIG. 2 is a top plan view thereof;  
FIG. 3 is a front elevational view thereof;  
FIG. 4 is a right side elevational view thereof;  
FIG. 5 is a left side elevational view thereof;  
FIG. 6 is a back elevational view thereof; and  
FIG. 7 is a bottom plan view thereof.

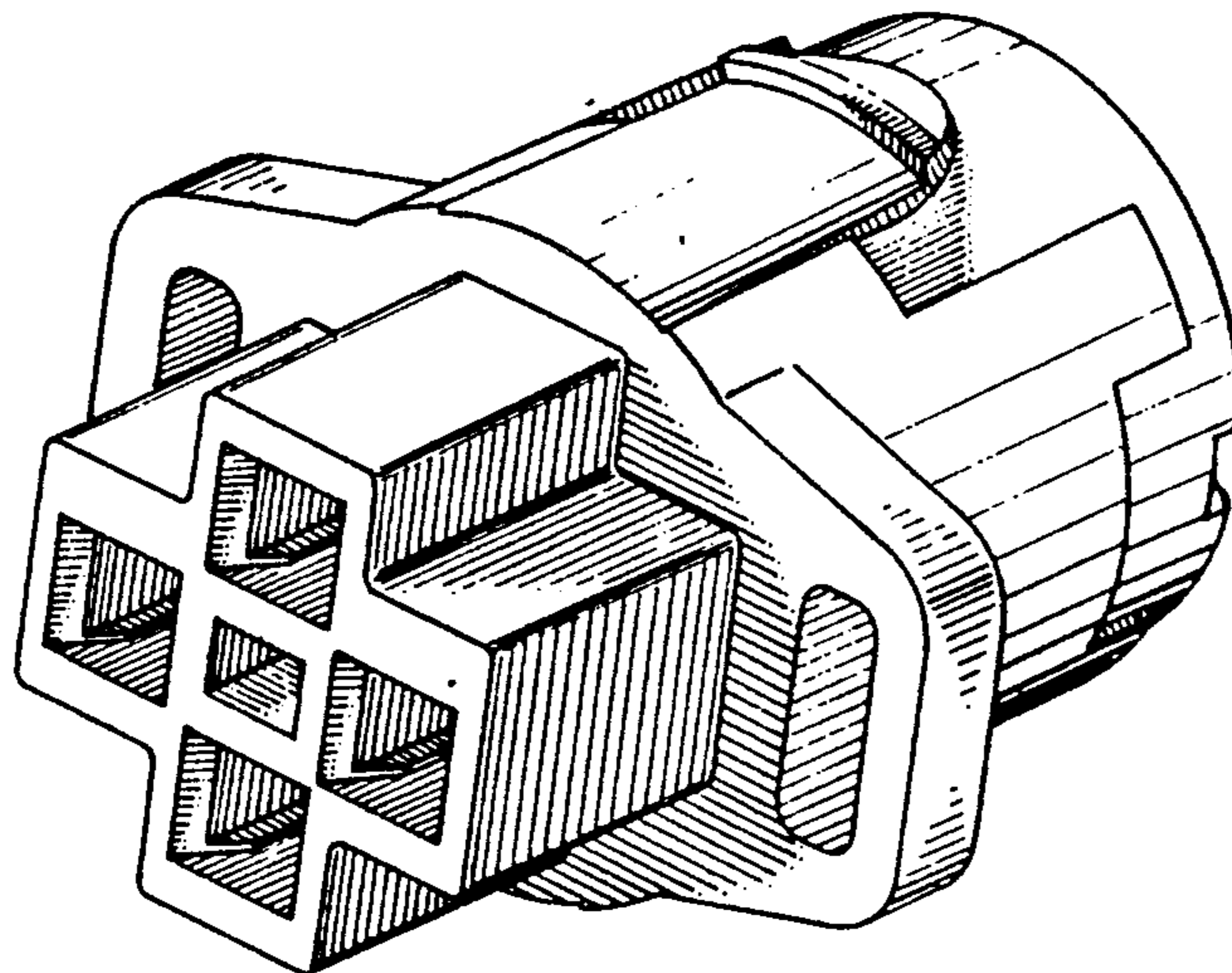


FIG. 1

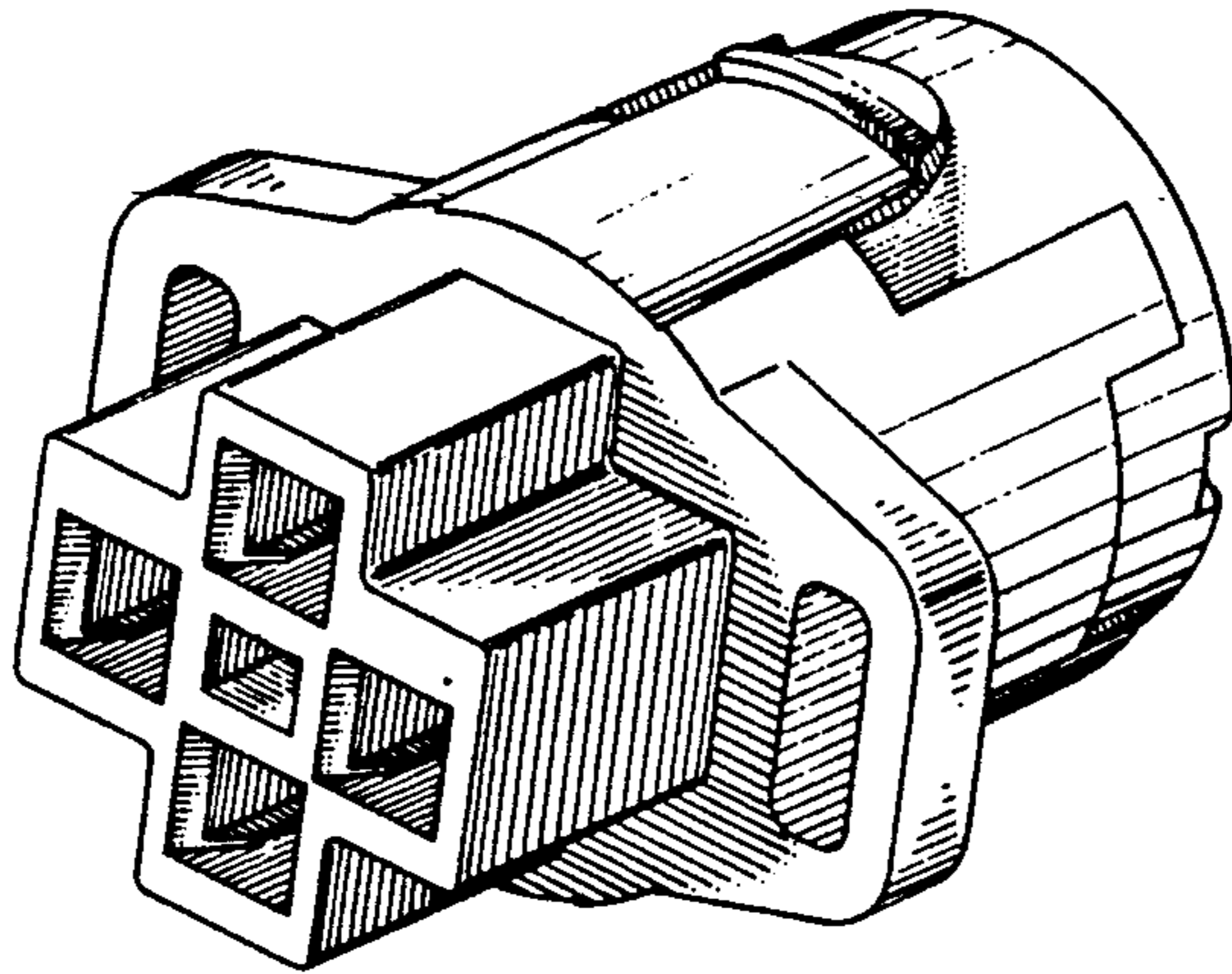


FIG. 2

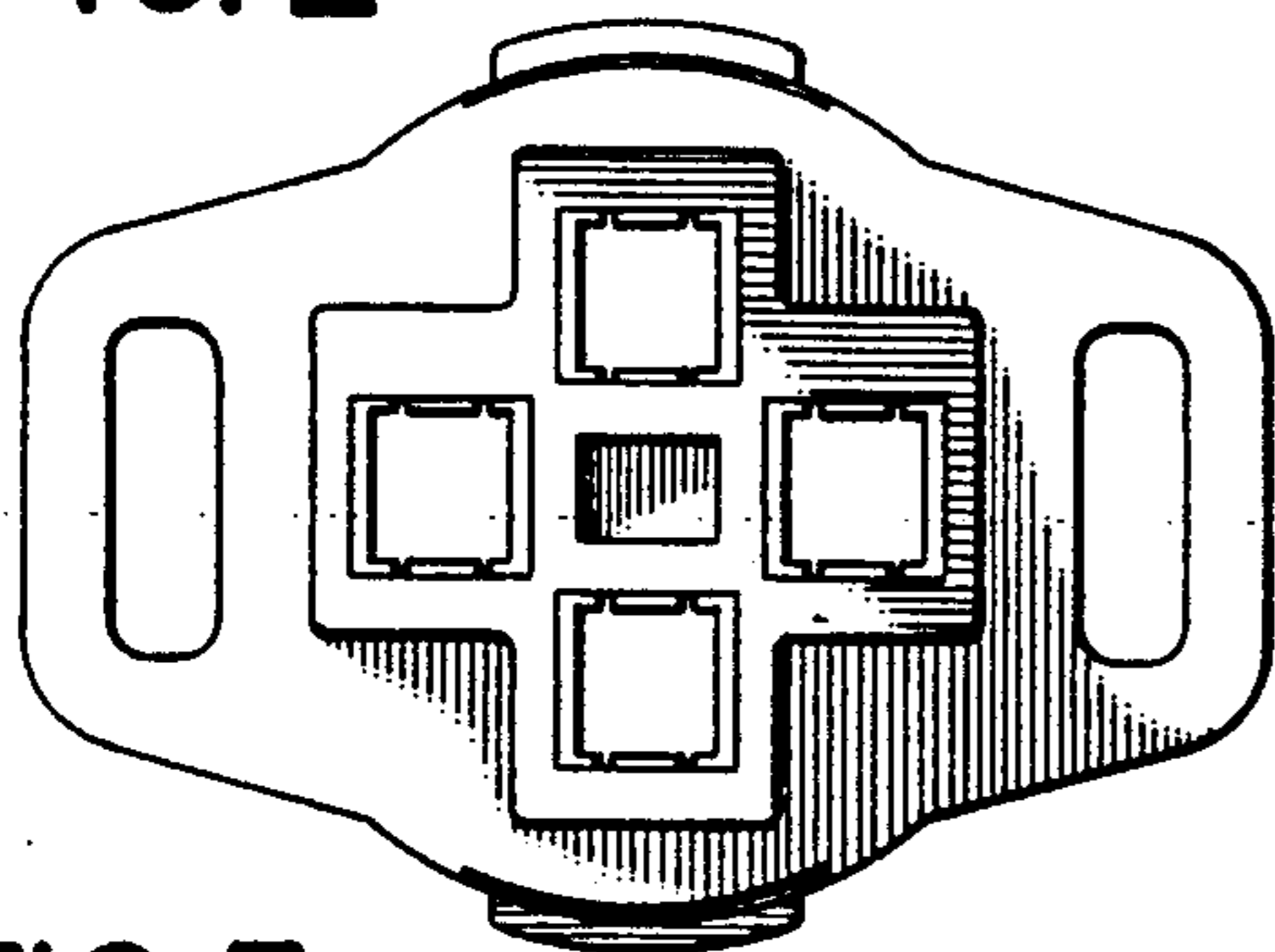


FIG. 7

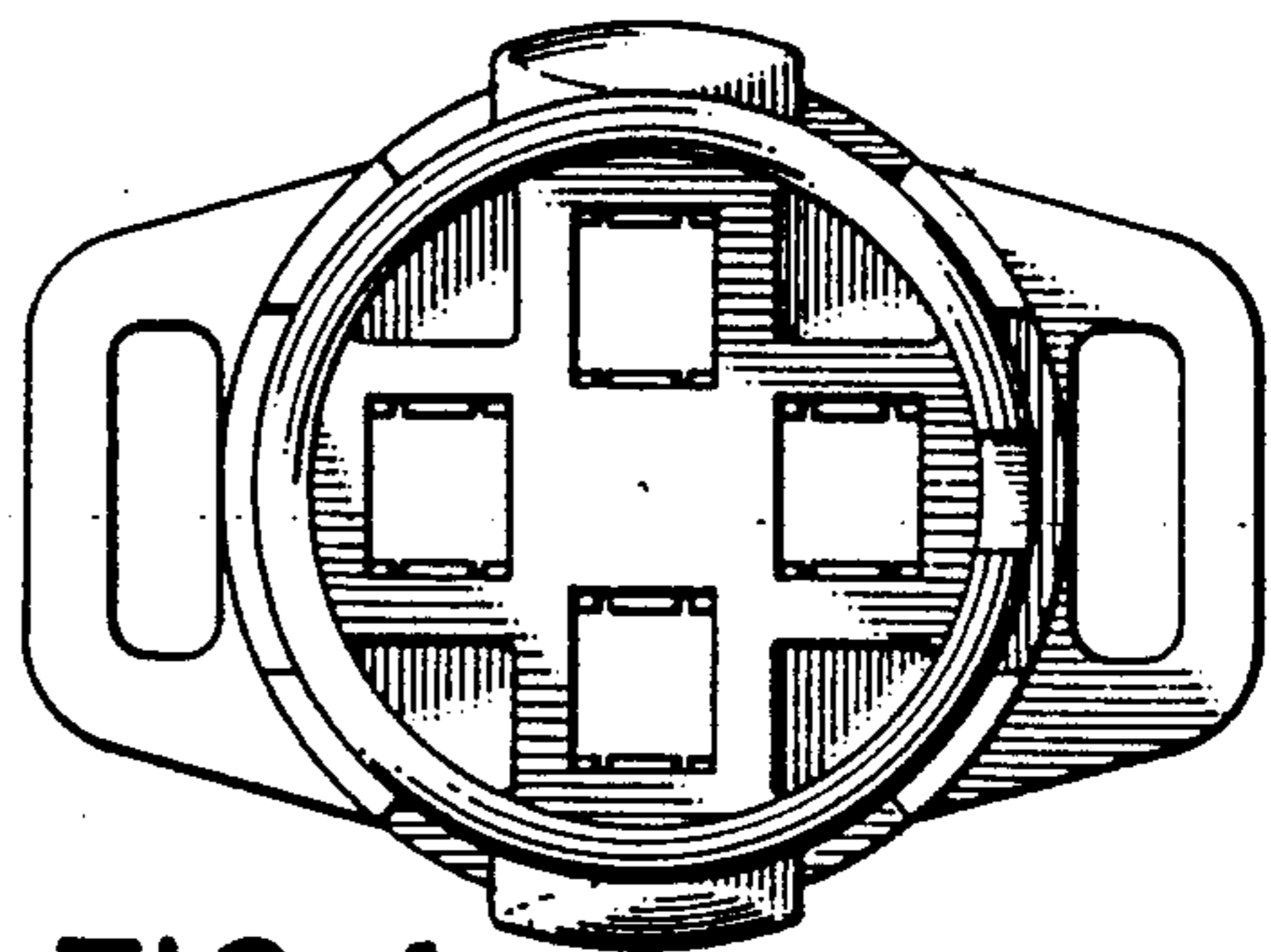


FIG. 3

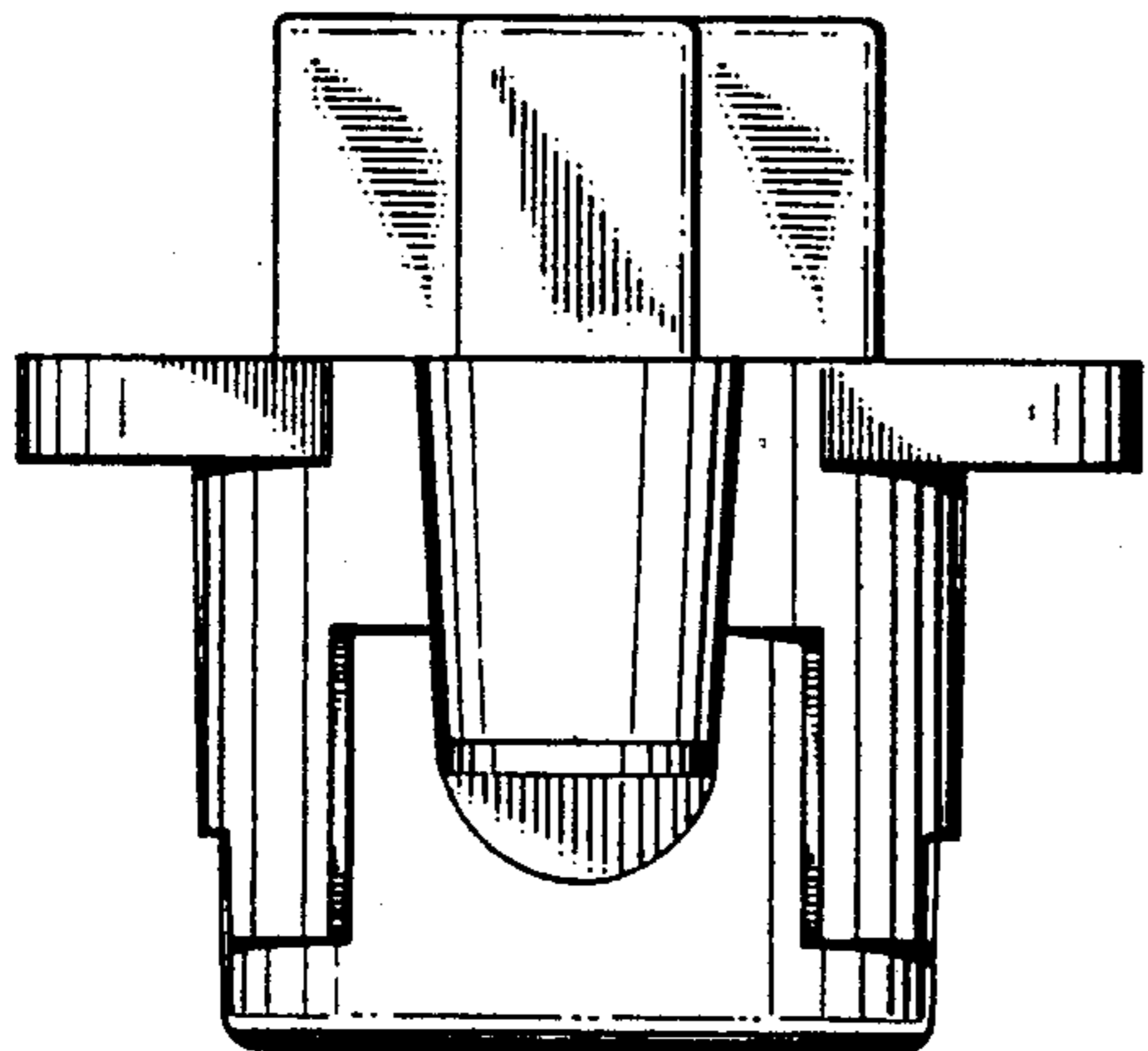


FIG. 4

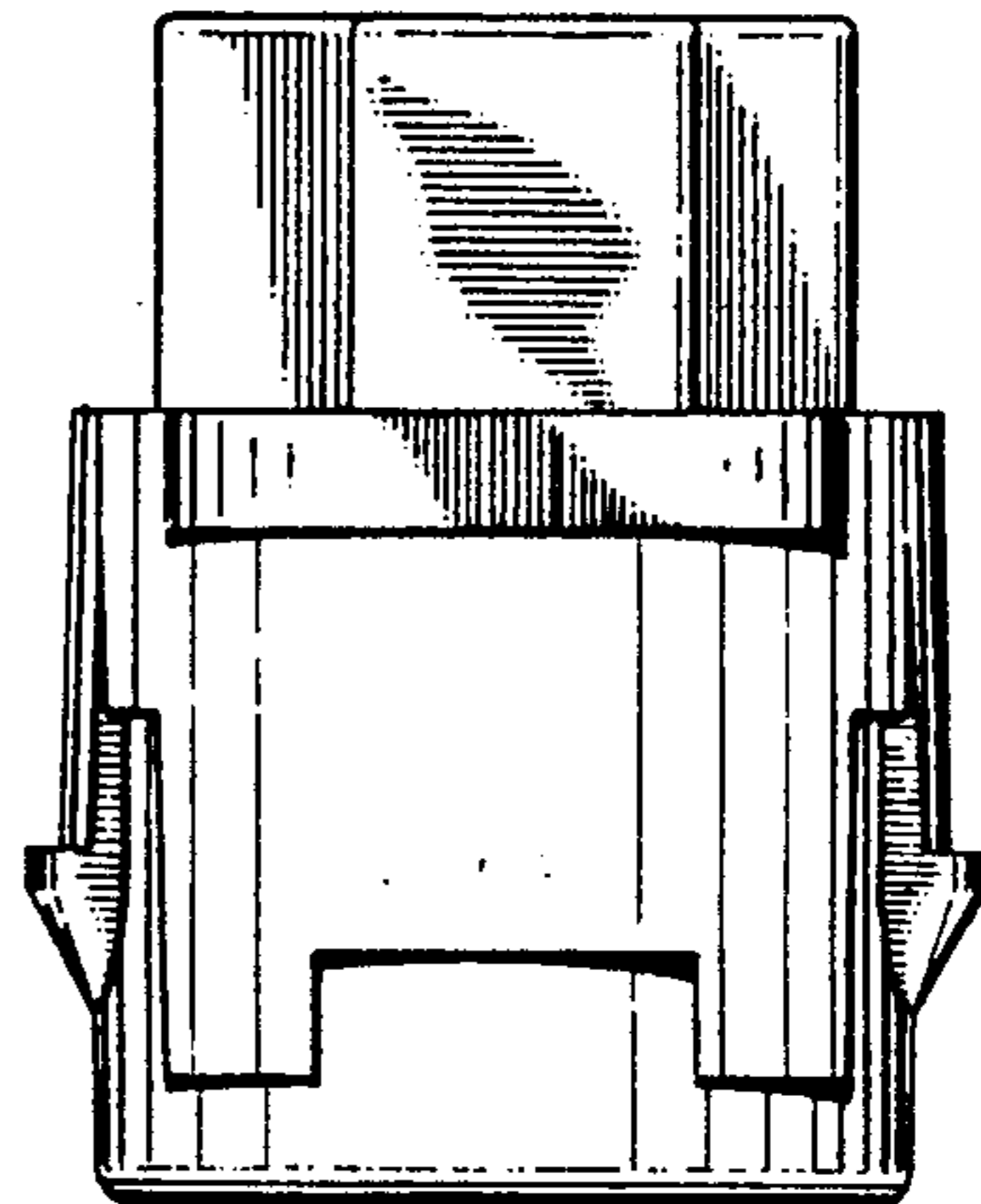


FIG. 6

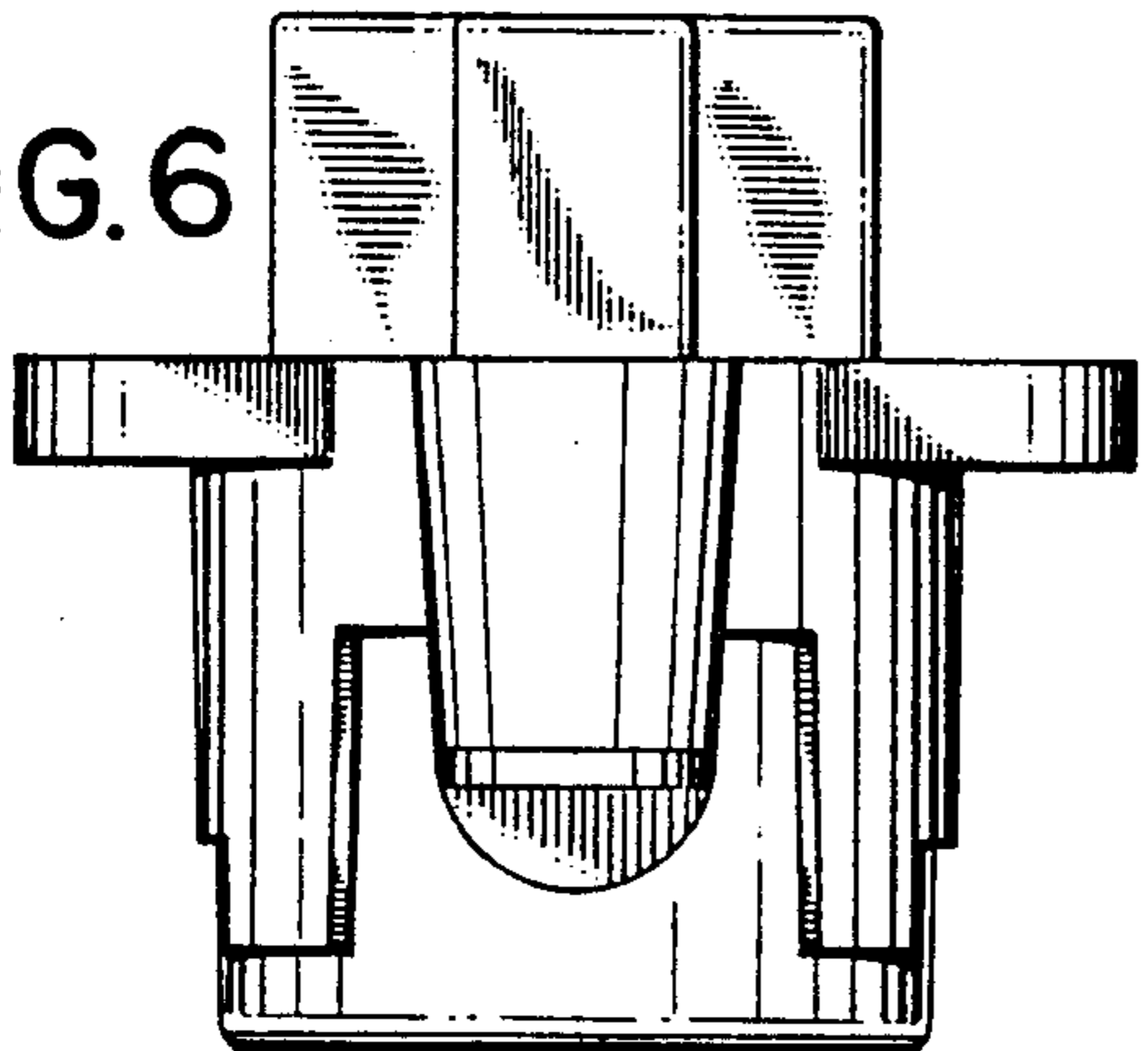


FIG. 5

