

[54] **MULTIPLE FUNCTION ELECTRICAL
 OUTLET AND DISTRIBUTION BOX OR THE
 LIKE**

[76] **Inventor: Gary L. Littrell, 1403 Carlisle Dr.,
 Inverness, Ill. 60010**

[**] **Term: 14 Years**

[21] **Appl. No.: 240,571**

[22] **Filed: Sep. 6, 1988**

[52] **U.S. Cl. D13/137; D8/353**

[58] **Field of Search D13/123, 158-160,
 D13/184, 137, 139; D8/350, 353; 174/50;
 361/331-332, 334-335, 346, 356, 358**

[56] **References Cited**

U.S. PATENT DOCUMENTS

| | | | |
|------------|---------|------------------|-----------|
| D. 220,568 | 4/1971 | Young | D13/139 |
| D. 284,758 | 7/1986 | Maloney | D13/160 X |
| D. 284,852 | 7/1986 | Maloney | D13/160 X |
| D. 285,788 | 9/1986 | Rapp et al. | D13/160 X |
| 3,631,324 | 12/1971 | Jones | 361/334 |
| 3,851,226 | 11/1974 | Chen | 361/358 |
| 4,318,156 | 3/1982 | Gallagher | 361/334 X |

Primary Examiner—Wallace R. Burke
Assistant Examiner—Brian N. Vinson
Attorney, Agent, or Firm—Charles F. Meroni, Jr.

[57] **CLAIM**

The ornamental design for a multiple function electrical

outlet and distribution box or the like, as shown and described.

DESCRIPTION

FIG. 1 is a perspective view of a multiple function electrical outlet and distribution box showing my new design;
 FIG. 2 is a top plan view thereof;
 FIG. 3 is a bottom plan view thereof;
 FIG. 4 is an end elevational view thereof, the opposite end being identical in appearance;
 FIG. 5 is a side elevational view thereof, the opposite side being identical in appearance;
 FIG. 6 is a perspective view of a second embodiment thereof;
 FIG. 7 is a top plan view of the embodiment of FIG. 6;
 FIG. 8 is a bottom plan view of the embodiment of FIG. 6;
 FIG. 9 is an end elevational view of the embodiment of FIG. 6, the opposite end being identical in appearance;
 FIG. 10 is a side elevational view of the embodiment of FIG. 6, the opposite side being identical in appearance;
 FIG. 11 is a perspective view of a third embodiment thereof;
 FIG. 12 is a top plan view of the embodiment of FIG. 11;
 FIG. 13 is a bottom plan view of the embodiment of FIG. 11;
 FIG. 14 is an end elevational view of the embodiment of FIG. 11, the opposite end being identical in appearance;
 and
 FIG. 15 is a side elevational view of the embodiment of FIG. 11, the opposite side being identical in appearance.

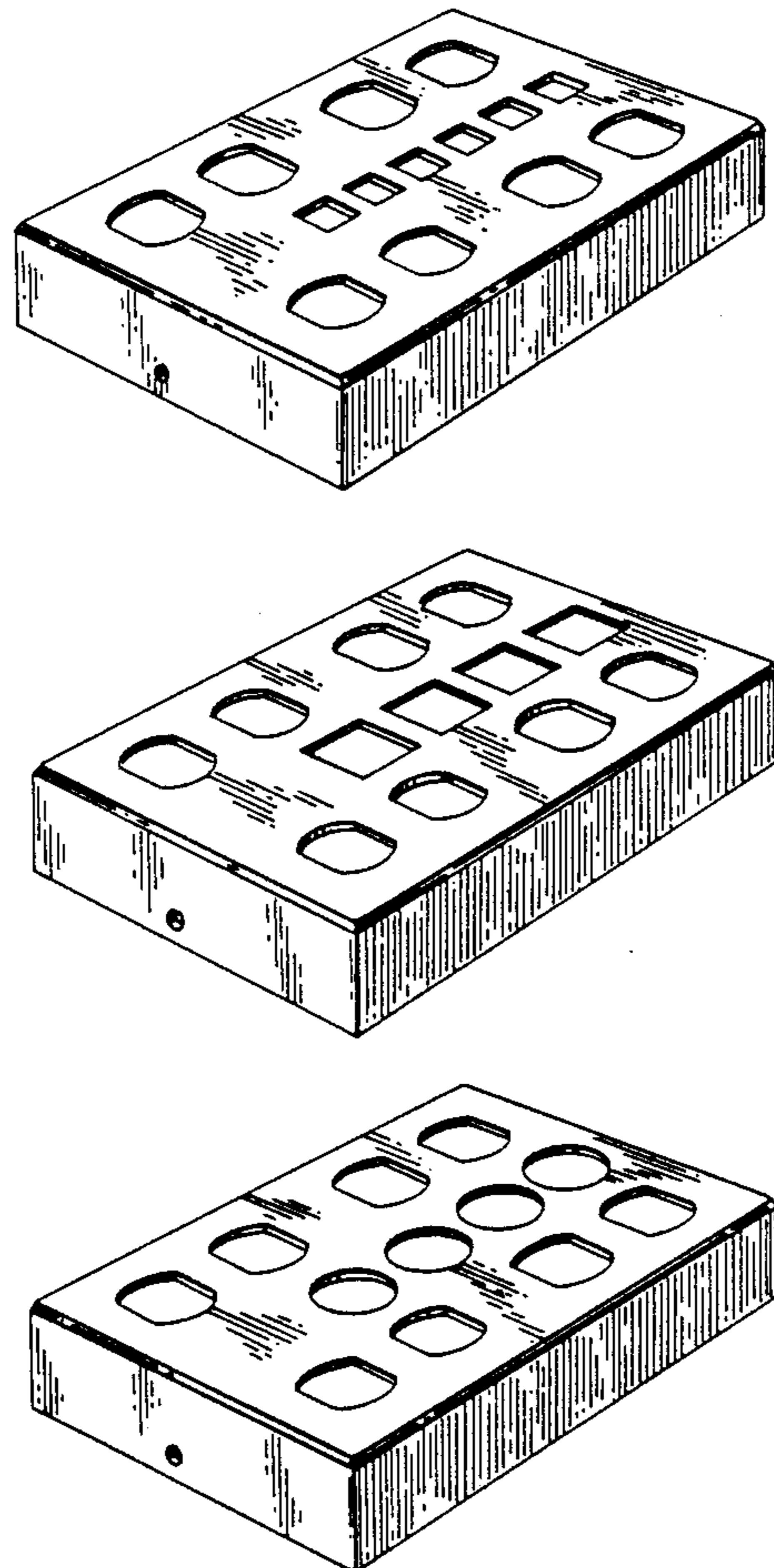


FIG. 1

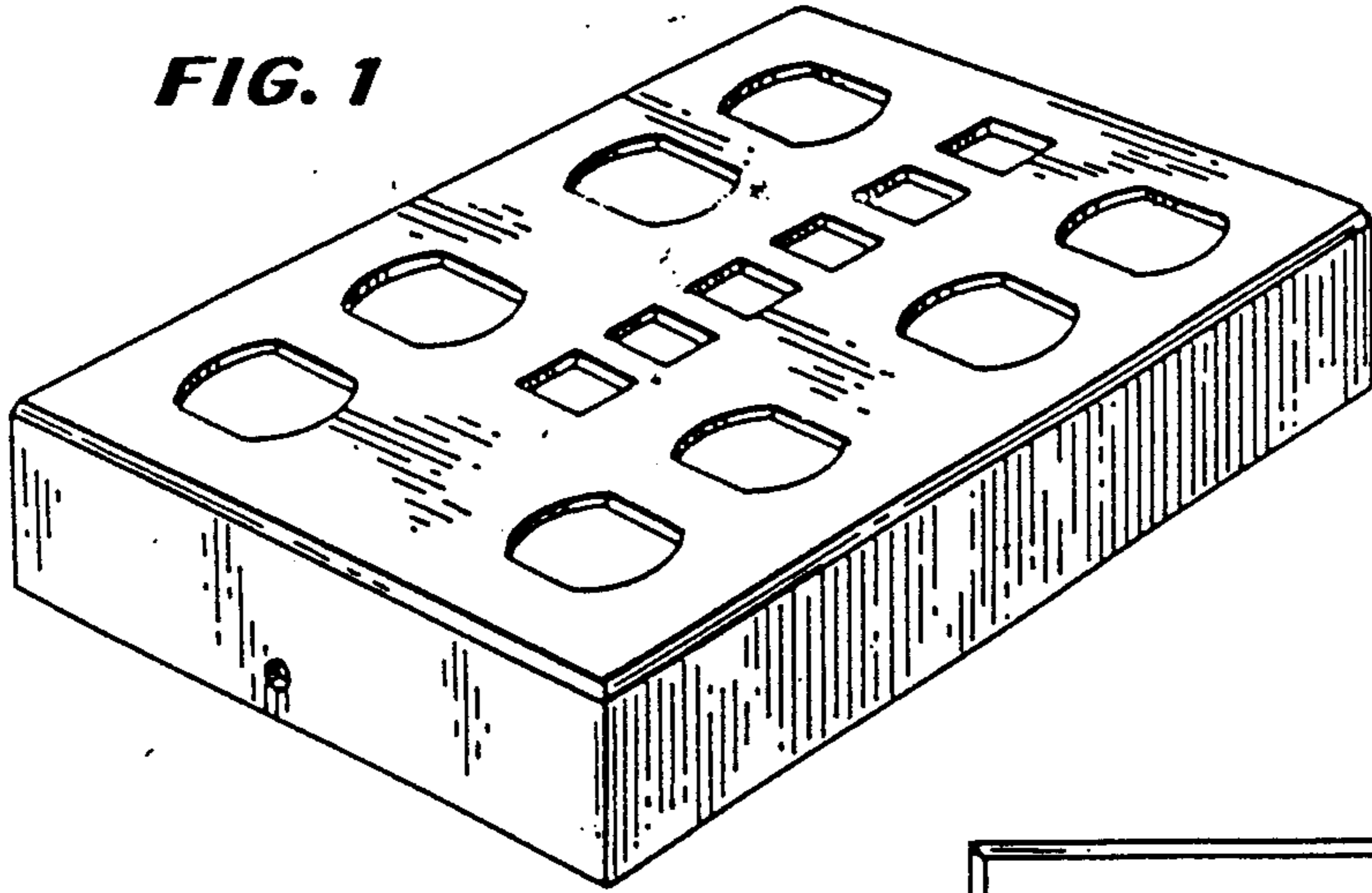


FIG. 2

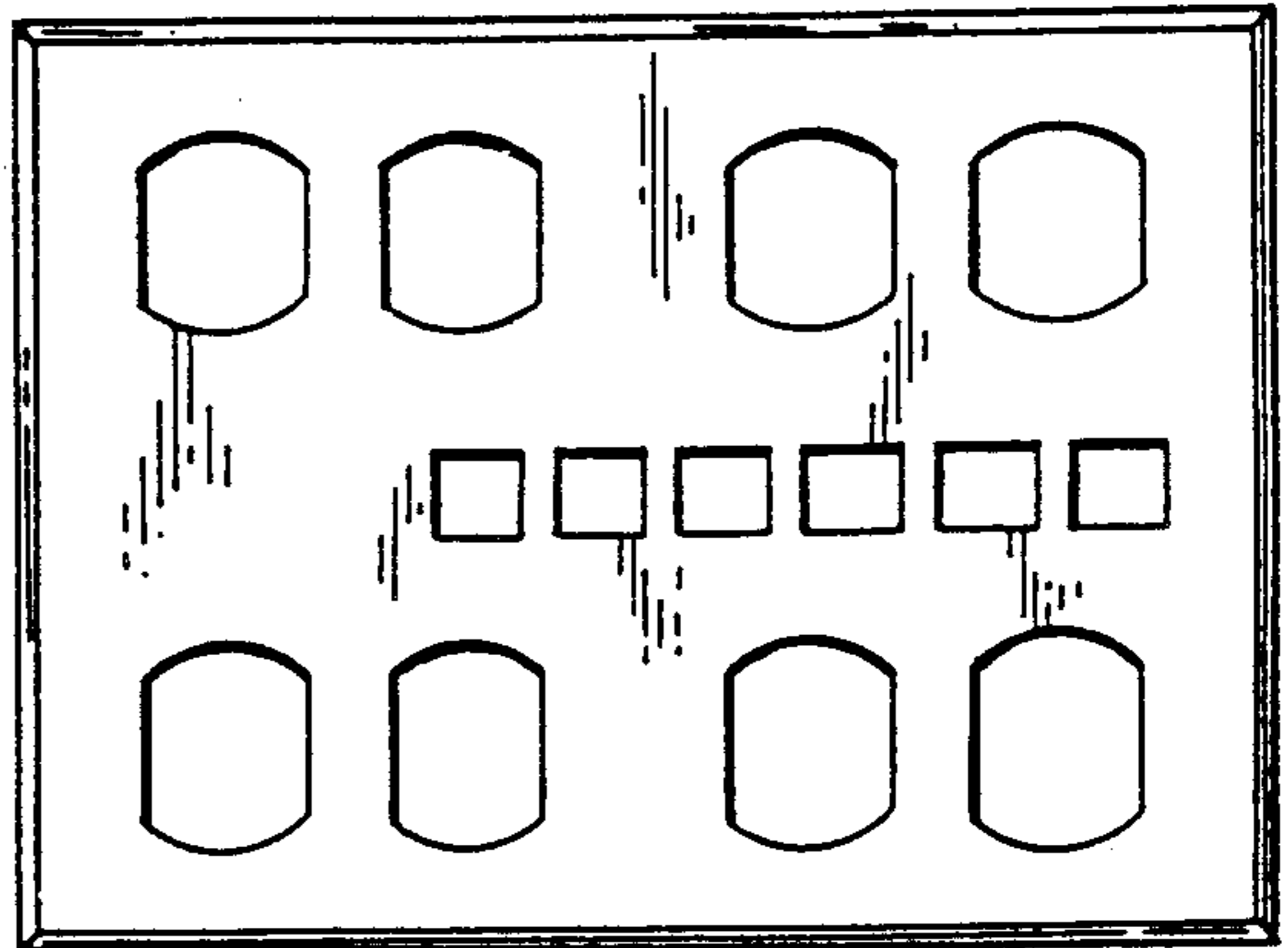


FIG. 3

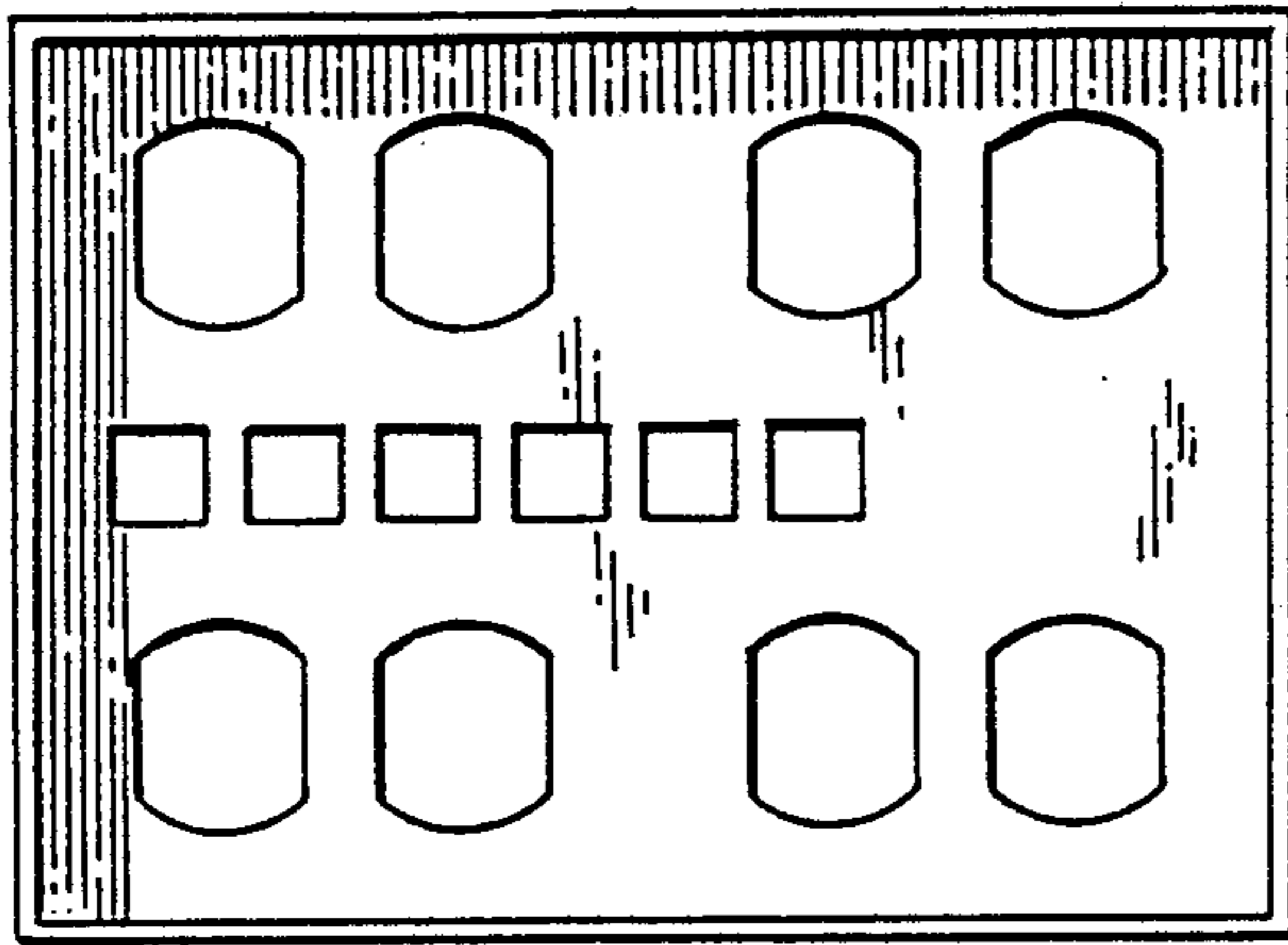


FIG. 4

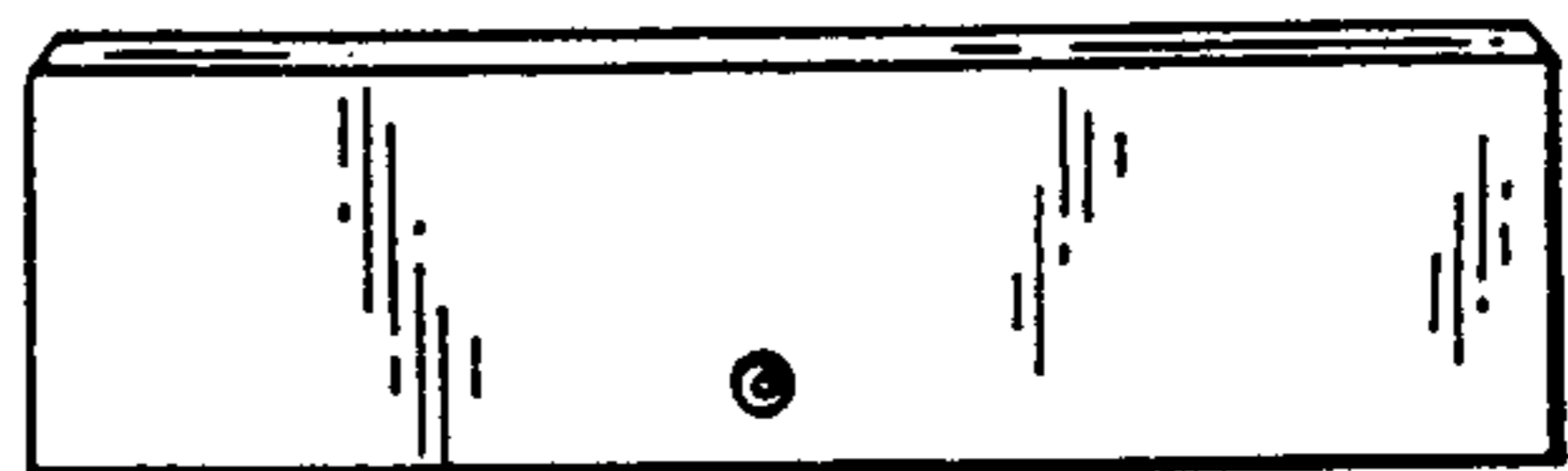


FIG. 5

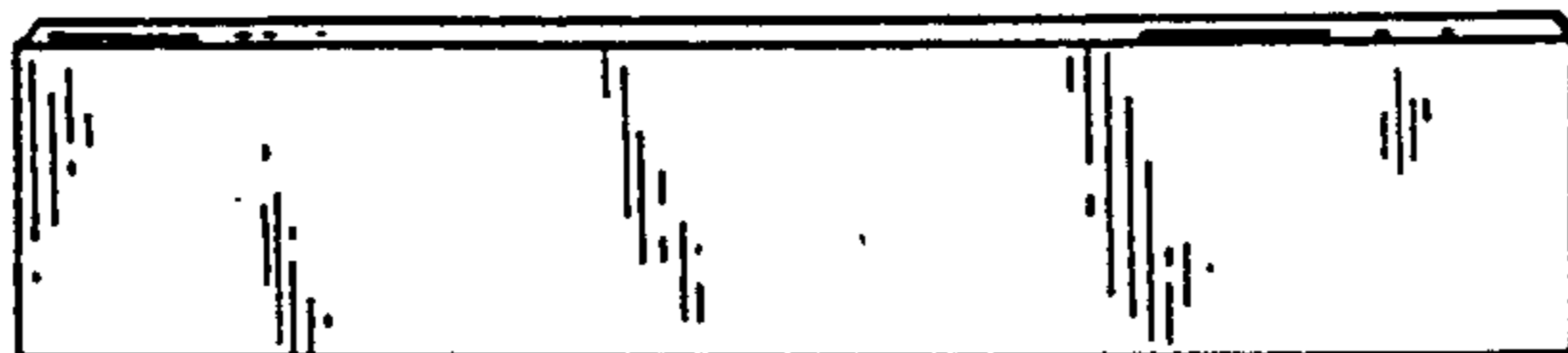


FIG. 6

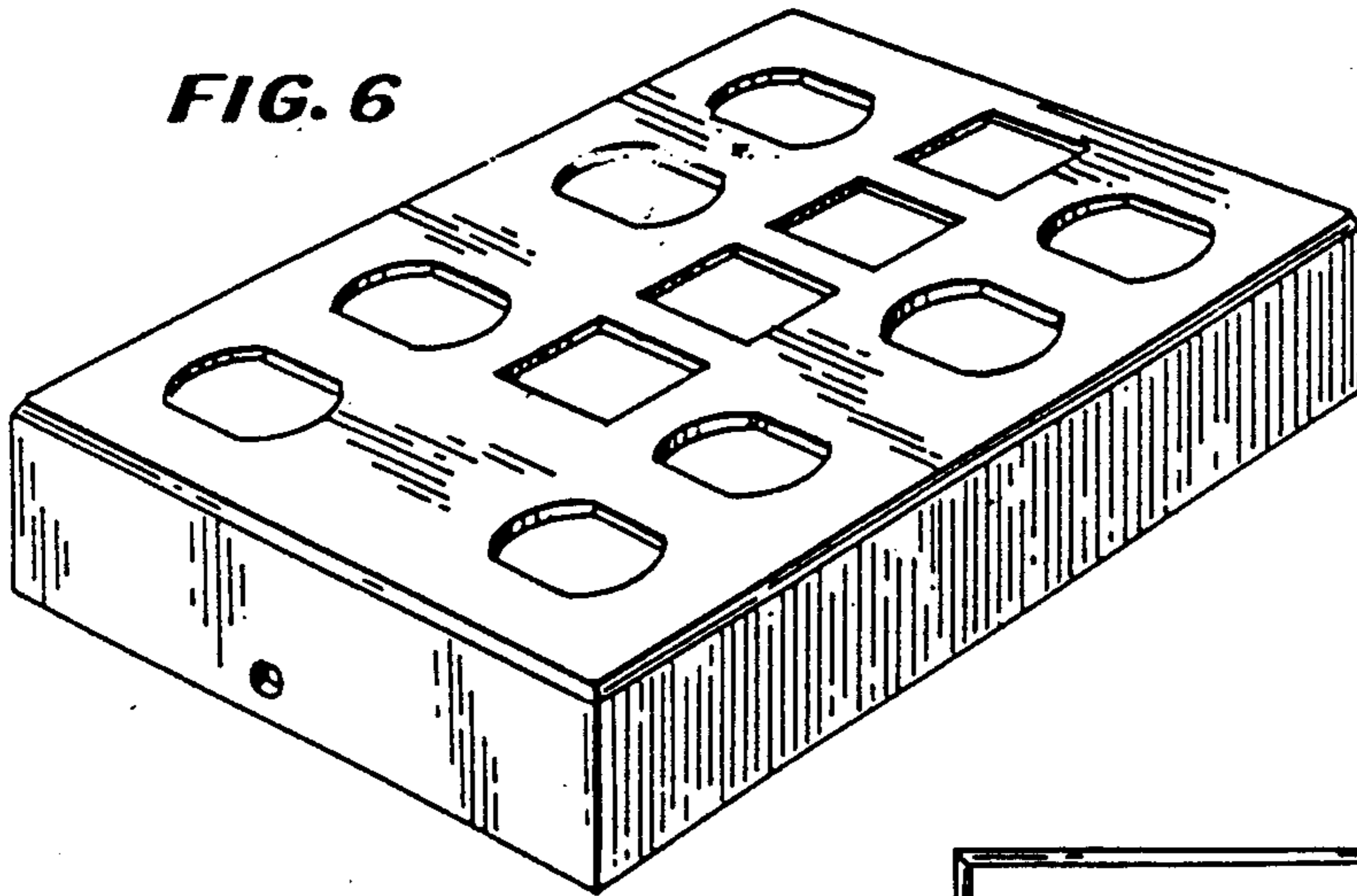


FIG. 7

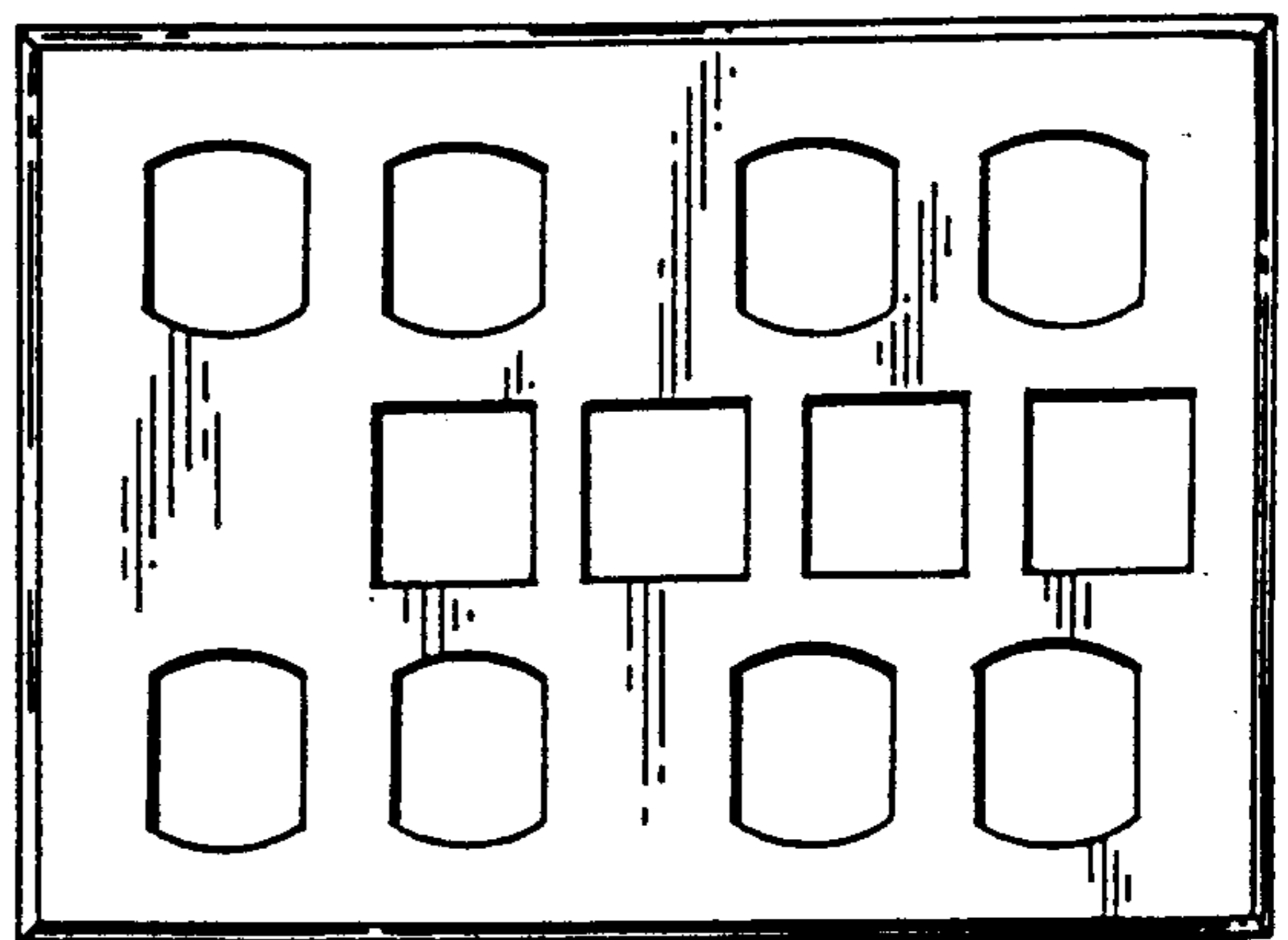


FIG. 8

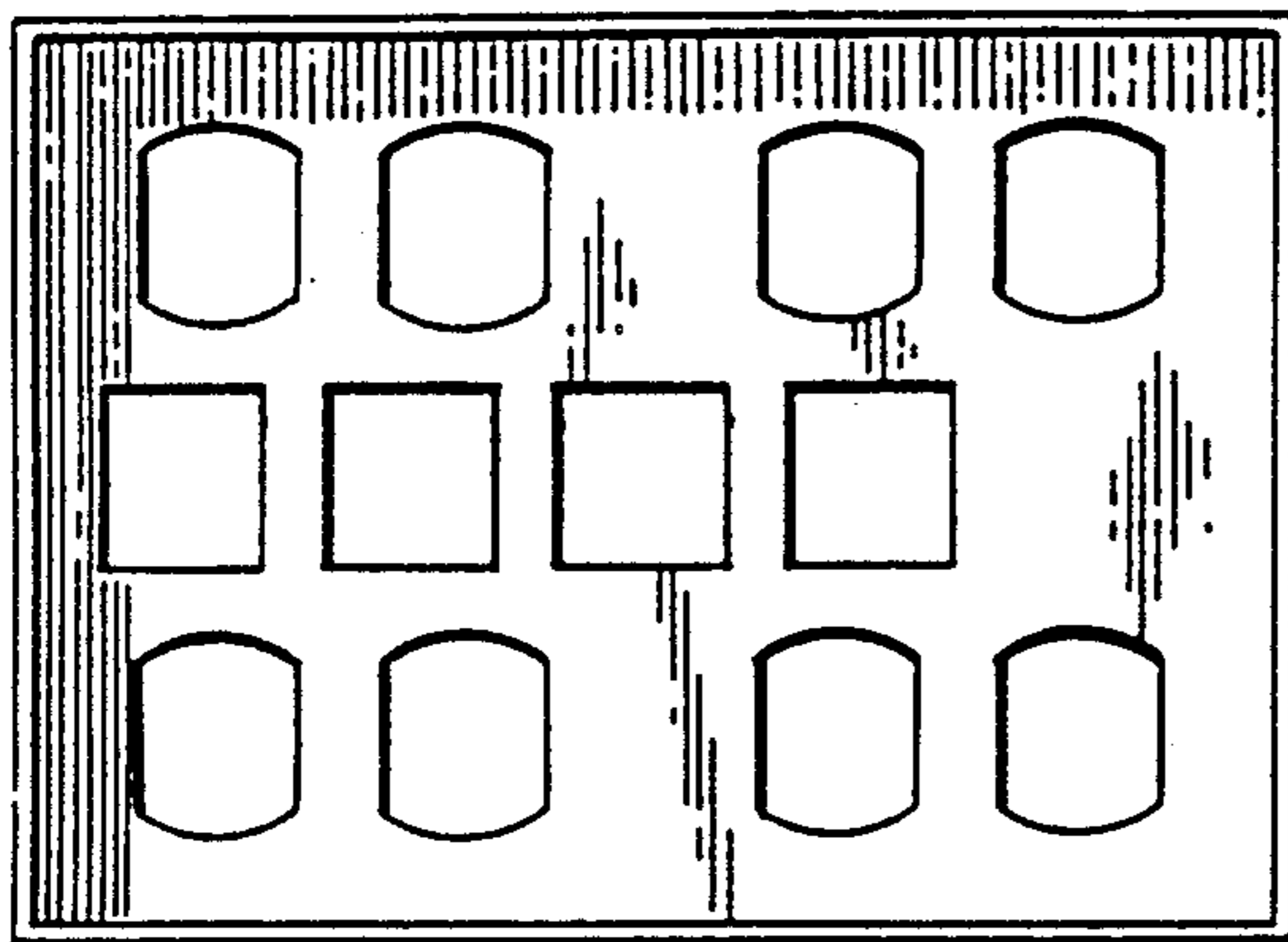


FIG. 9

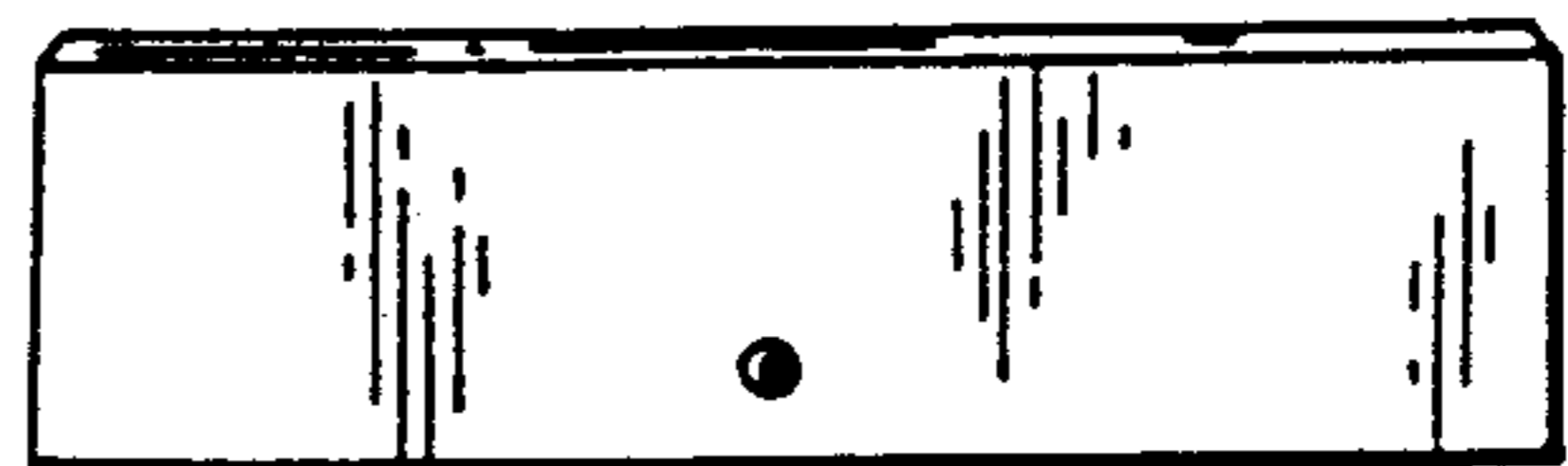


FIG. 10



FIG. 11

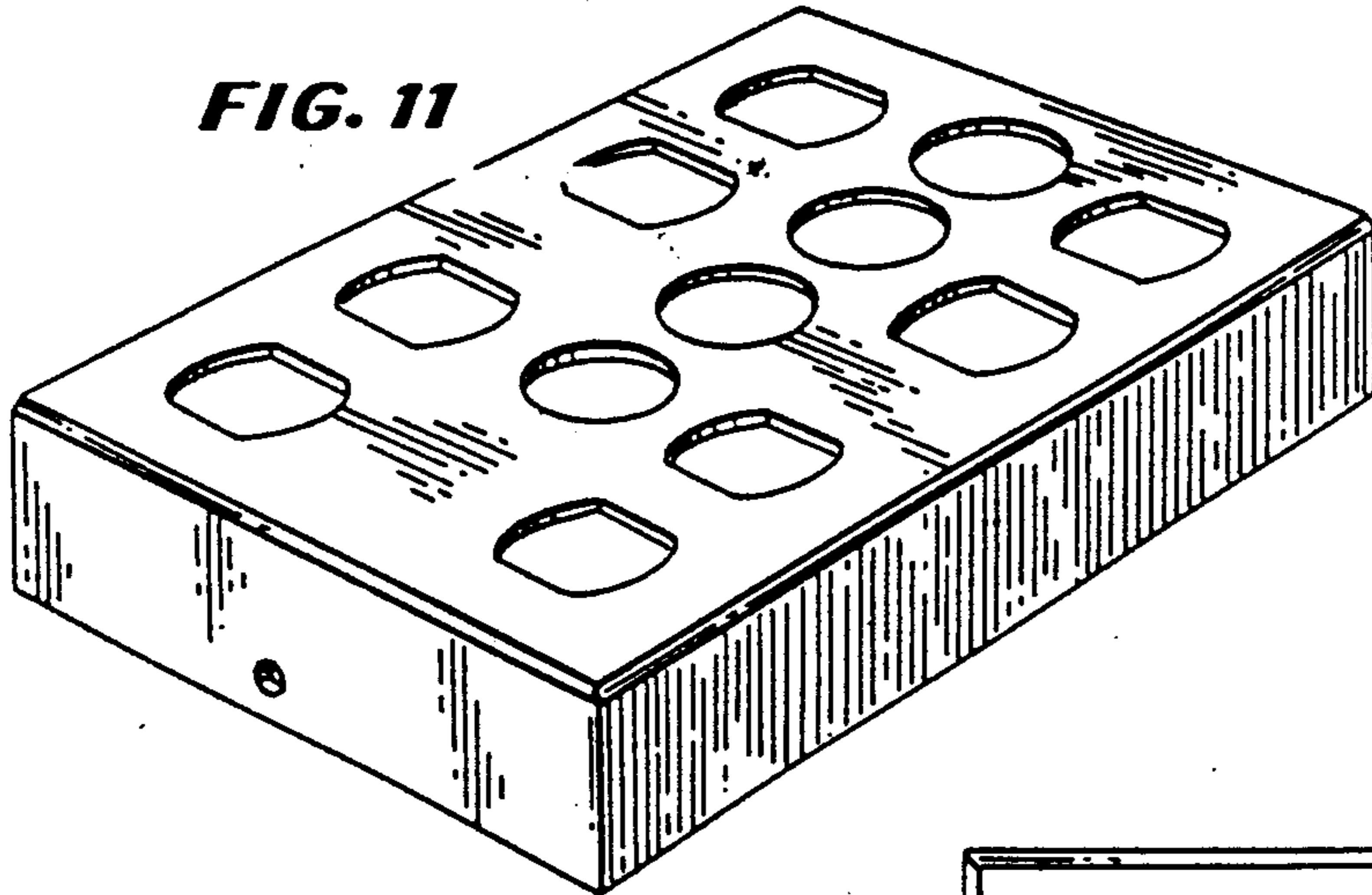


FIG. 12

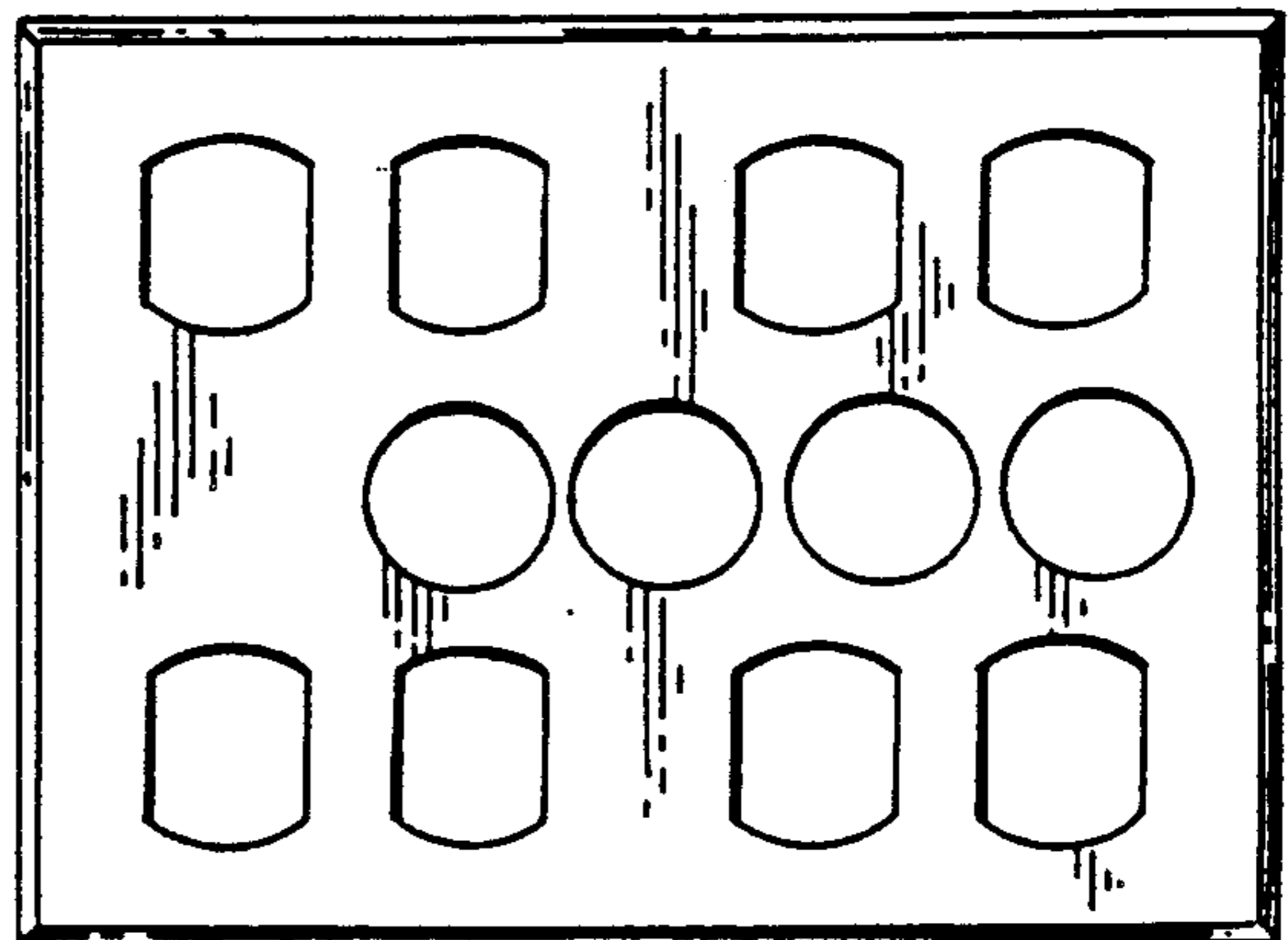


FIG. 13

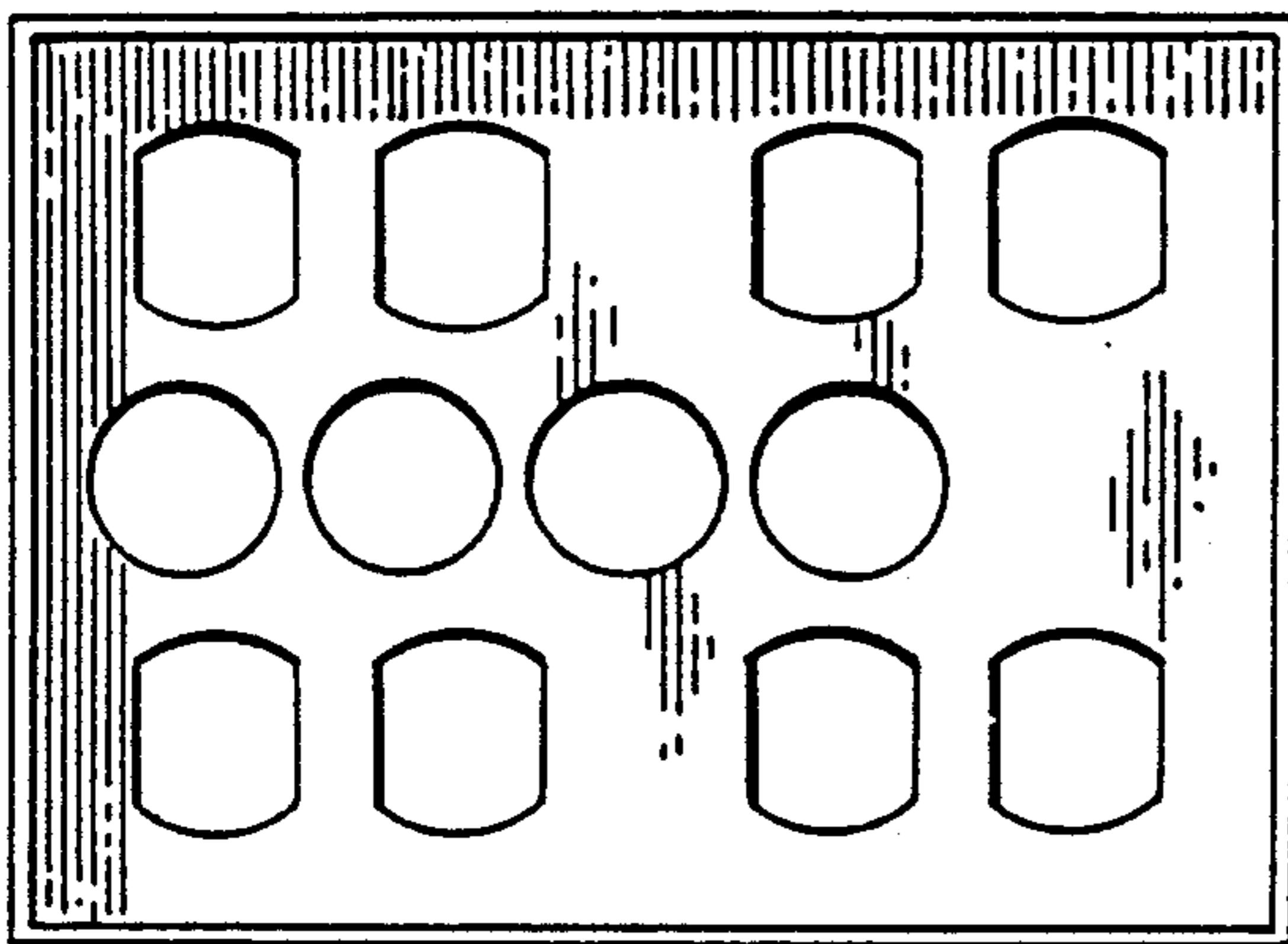


FIG. 14

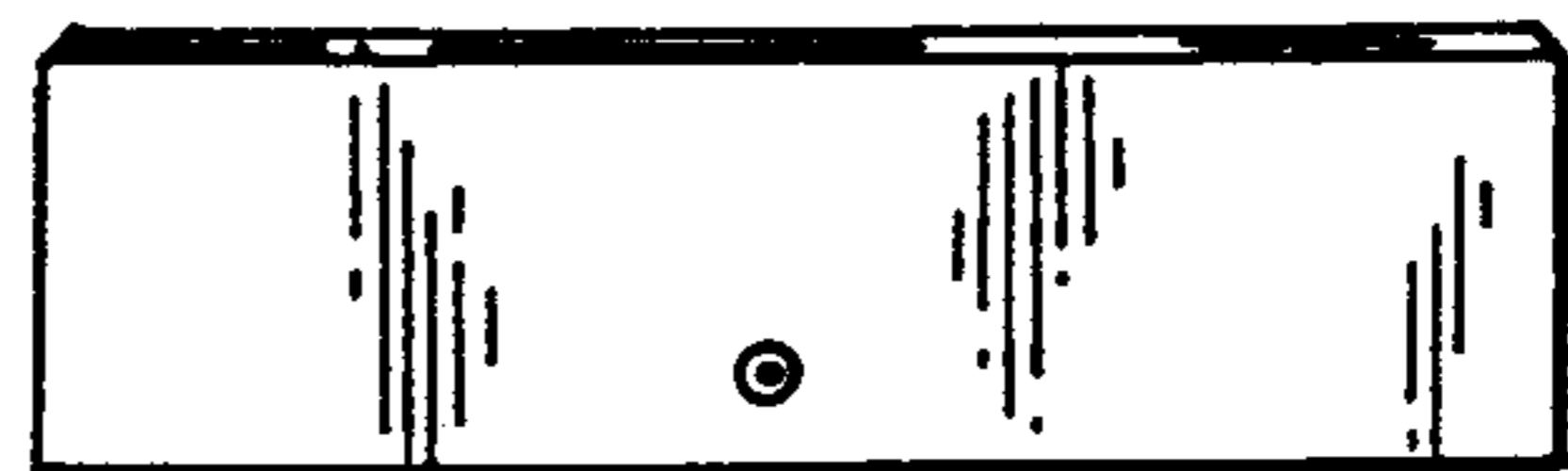


FIG. 15

