

[54] CONNECTOR FOR LINKING AN INTEGRATED SYSTEM DIGITAL NETWORK ADAPTOR TO A DATA TERMINAL OR THE LIKE

D. 299,641 1/1989 Rossum, Jr. .... D13/133  
D. 301,870 6/1989 Shibano ..... D13/147  
D. 306,010 2/1990 Komatsu ..... D13/147  
D. 309,599 7/1970 Widell et al. .... D13/133

[75] Inventors: Bruno Centola; Antoine Pantani, both of Vence, France

Primary Examiner—Wallace R. Burke  
Assistant Examiner—Brian N. Vinson  
Attorney, Agent, or Firm—Richard A. Tomlin

[73] Assignee: International Business Machines Corporation, Armonk, N.Y.

[57] CLAIM

[\*\*] Term: 14 Years

The ornamental design for a connector for linking an integrated system digital network adaptor to a data terminal or the like, as shown.

[21] Appl. No.: 243,880

[22] Filed: Sep. 13, 1988

DESCRIPTION

[52] U.S. Cl. .... D13/133

FIG. 1 is a top, front, and right side perspective view of a connector for linking an integrated system digital network adaptor to a data terminal or the like showing our new design;

[58] Field of Search ..... D13/123, 133, 146-147; 439/152, 135, 345, 901, 926; D14/114

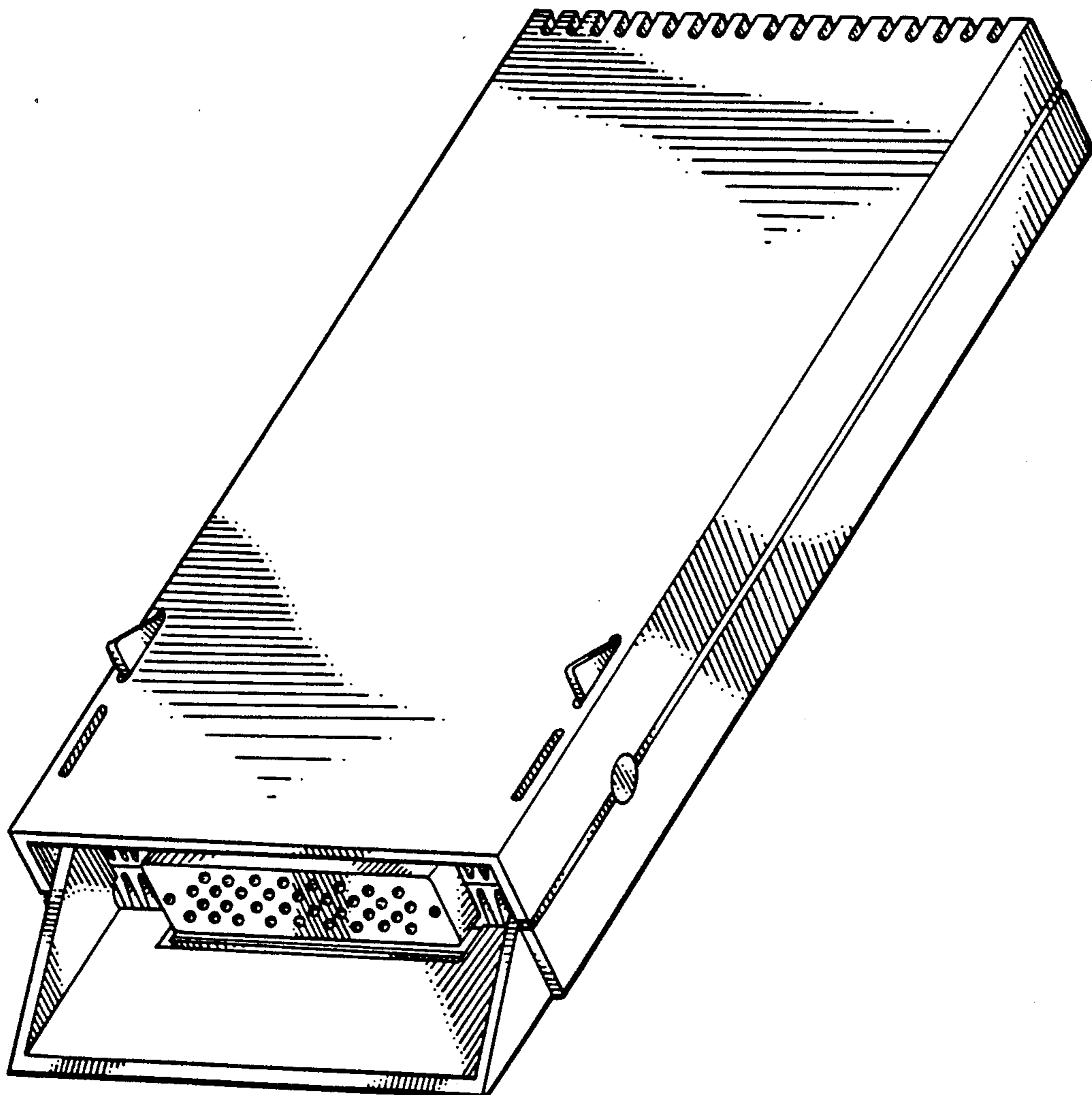
FIG. 2 is a top, rear, and left side perspective view thereof; and

[56] References Cited

U.S. PATENT DOCUMENTS

D. 252,682 8/1979 Berglund et al. .... D13/133

FIG. 3 is an enlarged front elevational view thereof.



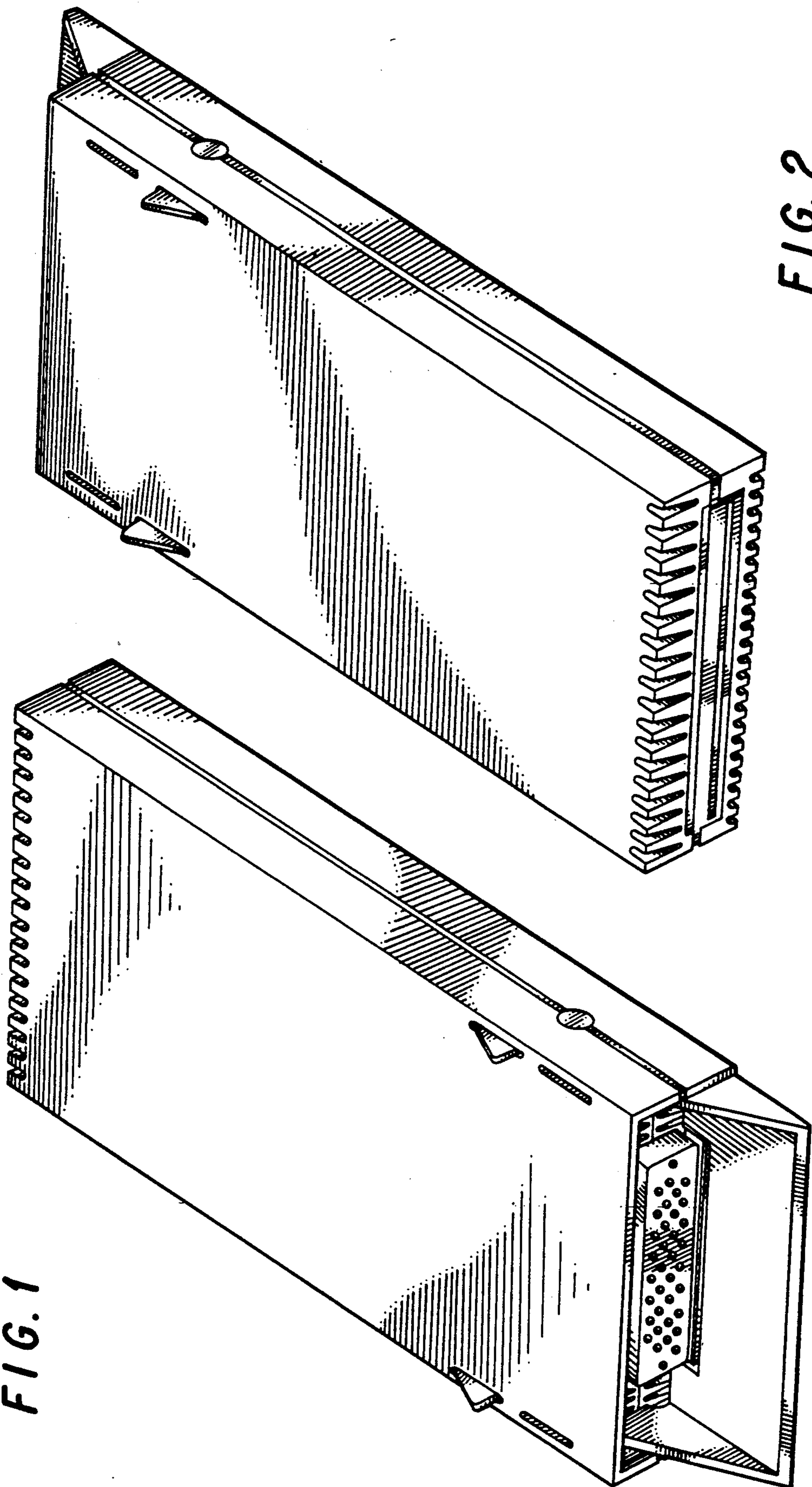
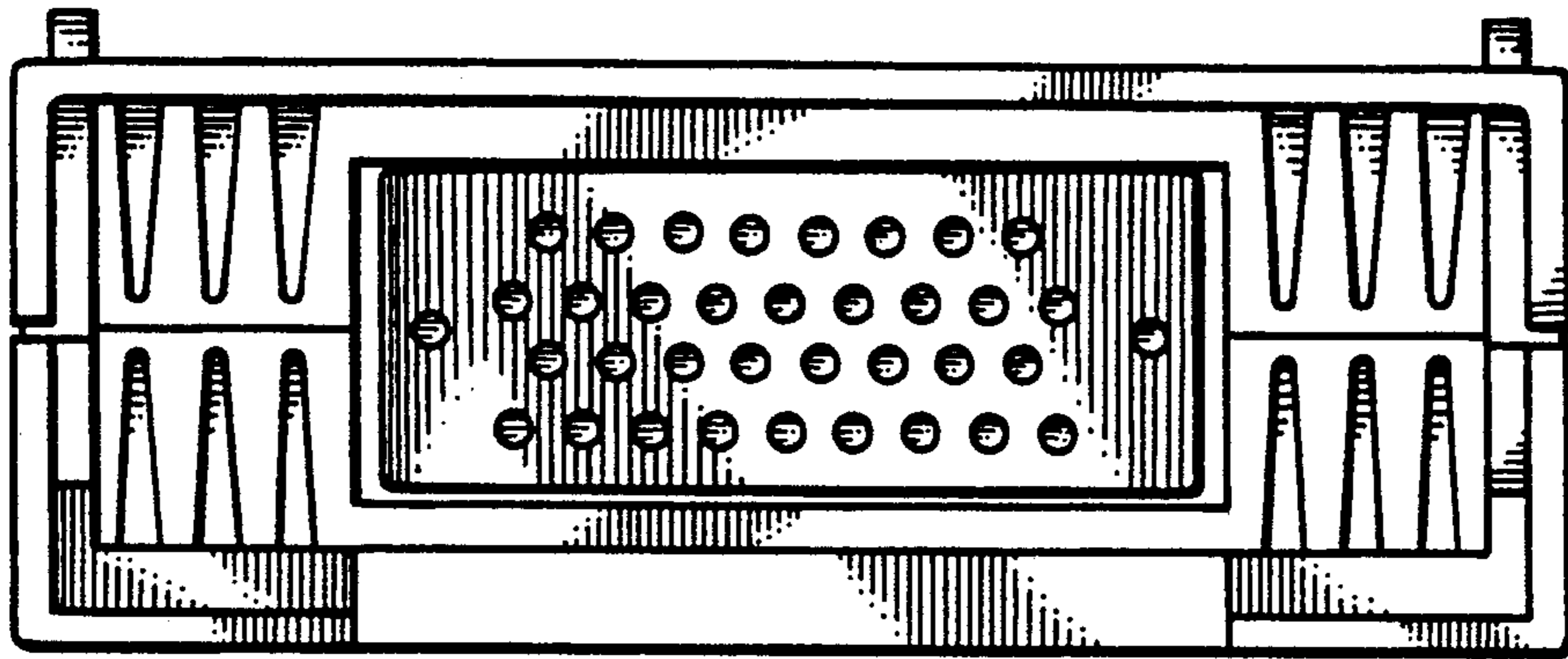


FIG. 1

FIG. 2



*FIG. 3*