

[54] **FOLDABLE BOAT**

[76] **Inventor: Gary G. Loper, Star Rt., Box, Millry, Ala. 03655**

[**] **Term: 14 Years**

[21] **Appl. No.: 195,188**

[22] **Filed: May 18, 1988**

[52] **U.S. Cl. D12/300; D12/302**

[58] **Field of Search D12/300, 302, 303, 301; 114/352, 353**

[56] **References Cited**

U.S. PATENT DOCUMENTS

D. 241,239	8/1976	Goldsmith	D12/300
D. 244,015	4/1977	Grind	D12/300
D. 305,636	1/1990	Kienlen	D12/300
2,157,186	5/1939	Pinter, Sr. et al.	114/353

4,706,597 11/1987 Figone 114/353

Primary Examiner—Kay H. Chin
Attorney, Agent, or Firm—Jerry T. Kearns

[57] **CLAIM**

The ornamental design for a foldable boat, as shown and described.

DESCRIPTION

FIG. 1 is a front elevational view of a foldable boat showing my new design;

FIG. 2 is a rear elevational view thereof;

FIG. 3 is a left side elevational view thereof;

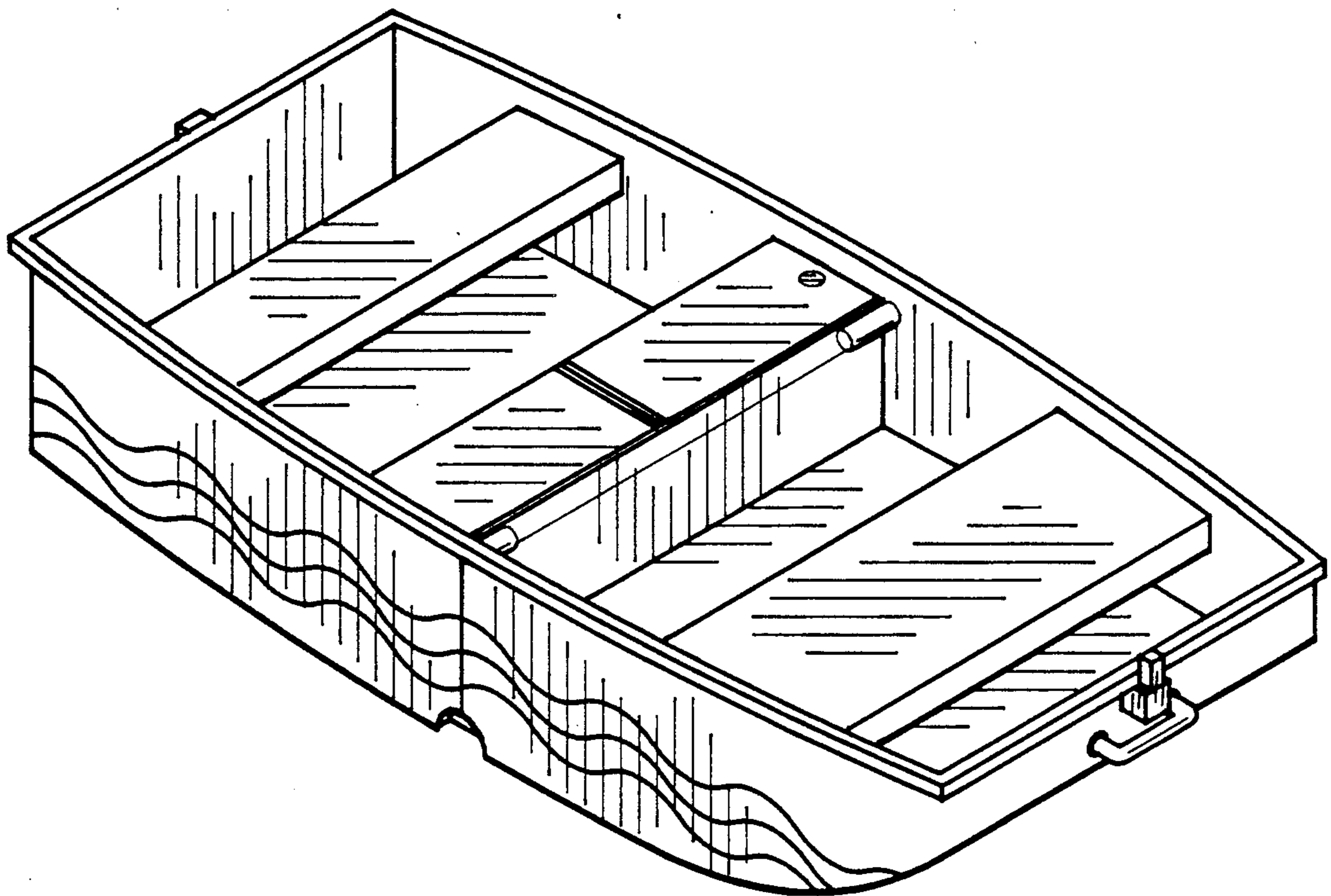
FIG. 4 is a right side elevational view thereof;

FIG. 5 is a top plan view thereof;

FIG. 6 is a bottom plan view thereof;

FIG. 7 is a top perspective view thereof; and,

FIG. 8 is a bottom perspective view thereof.



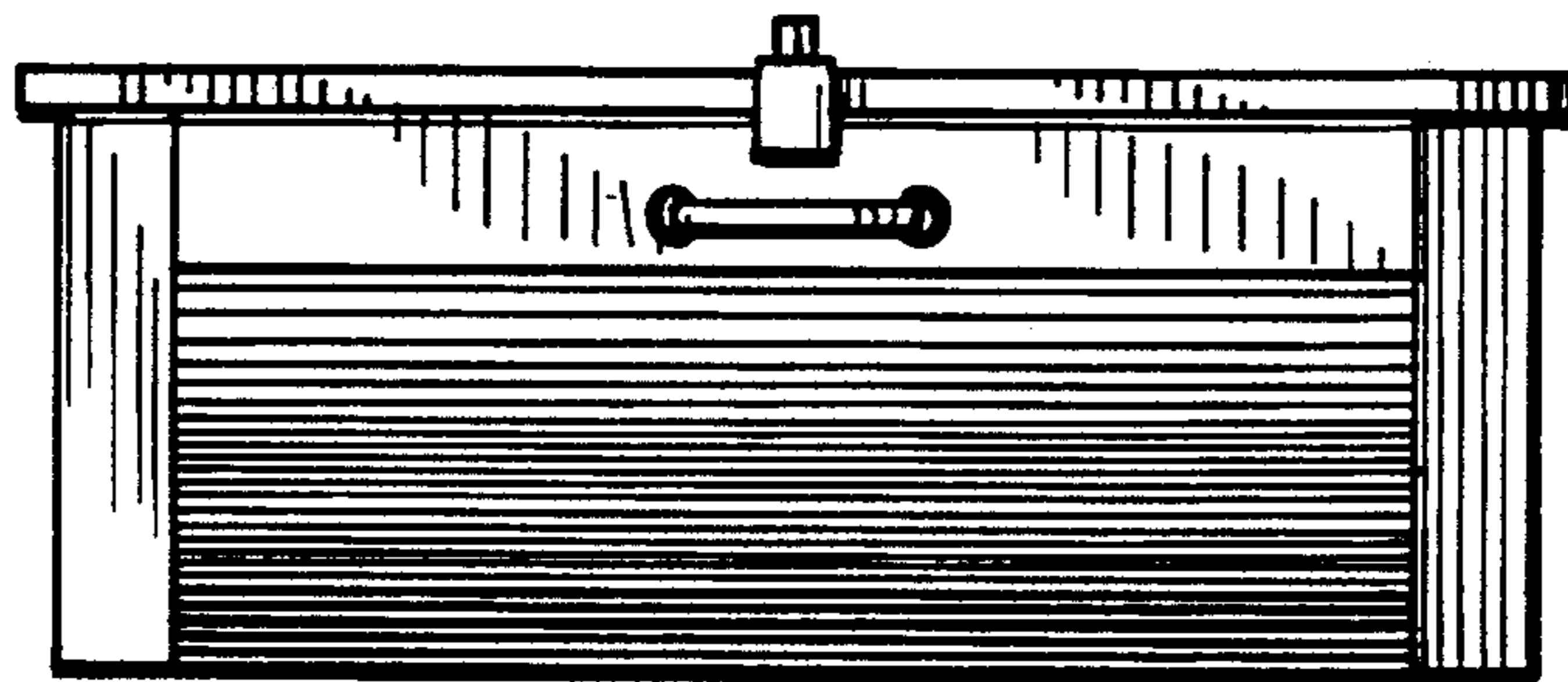


Fig. 1

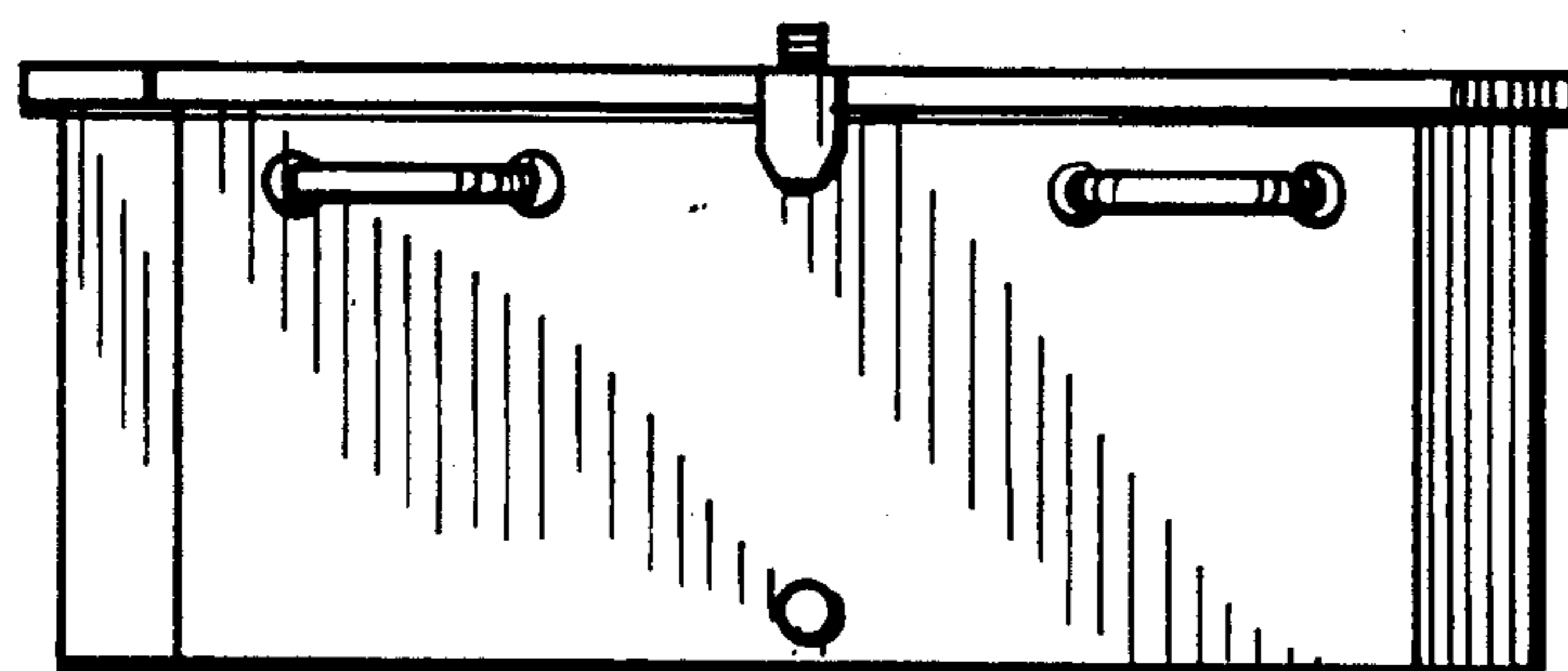


Fig. 2

Fig. 3

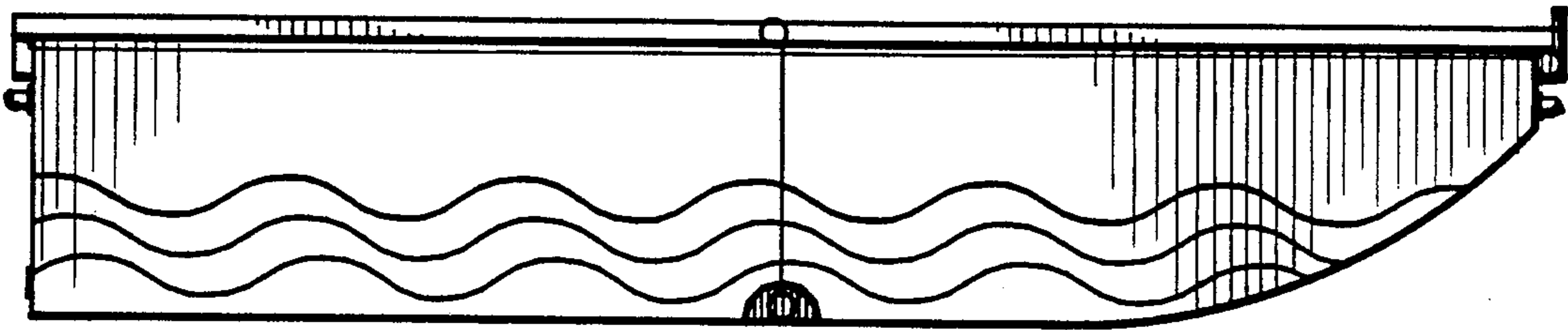
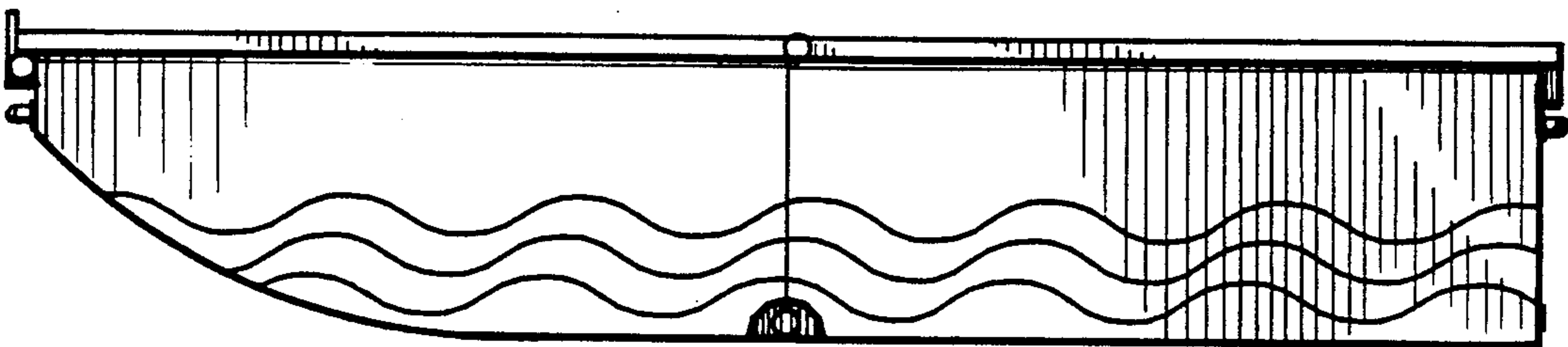


Fig. 4



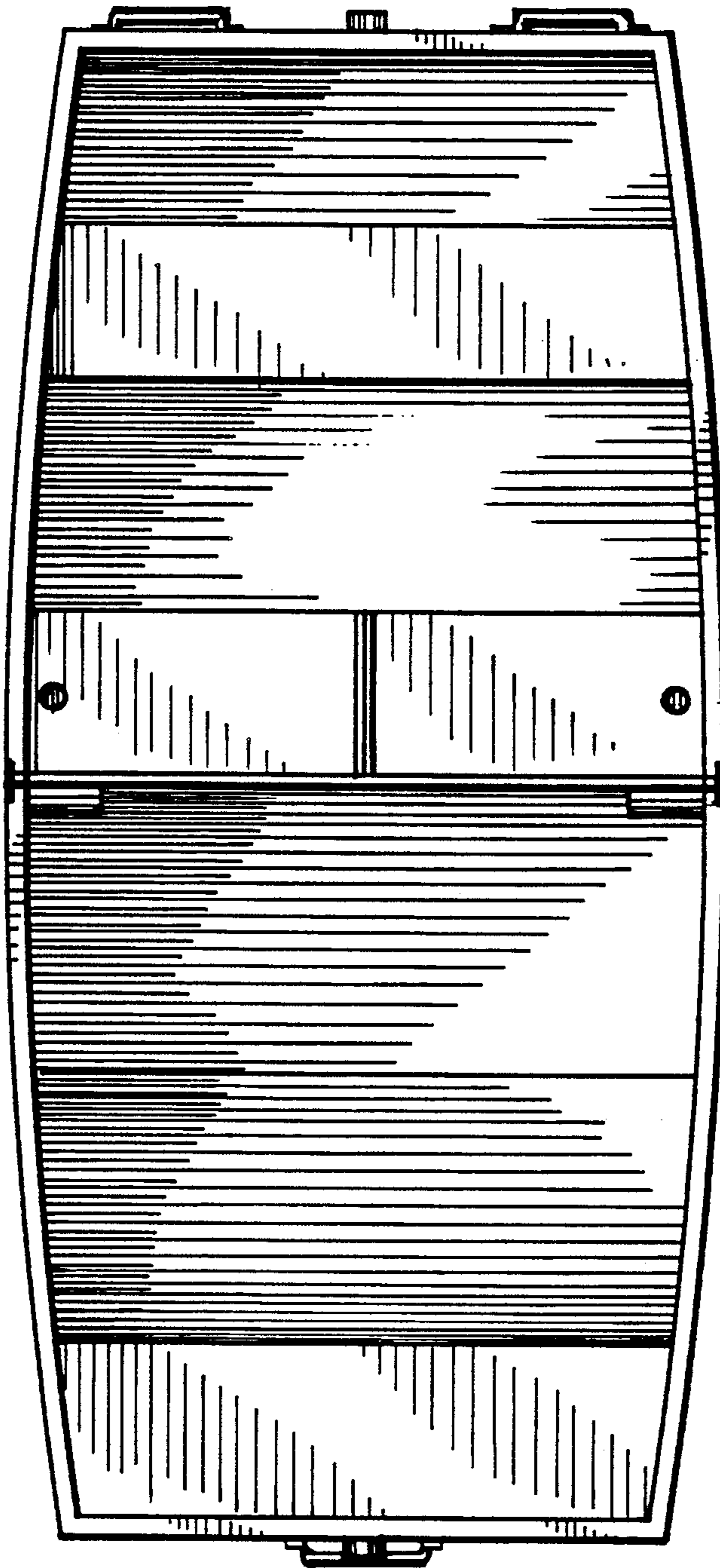


Fig. 5

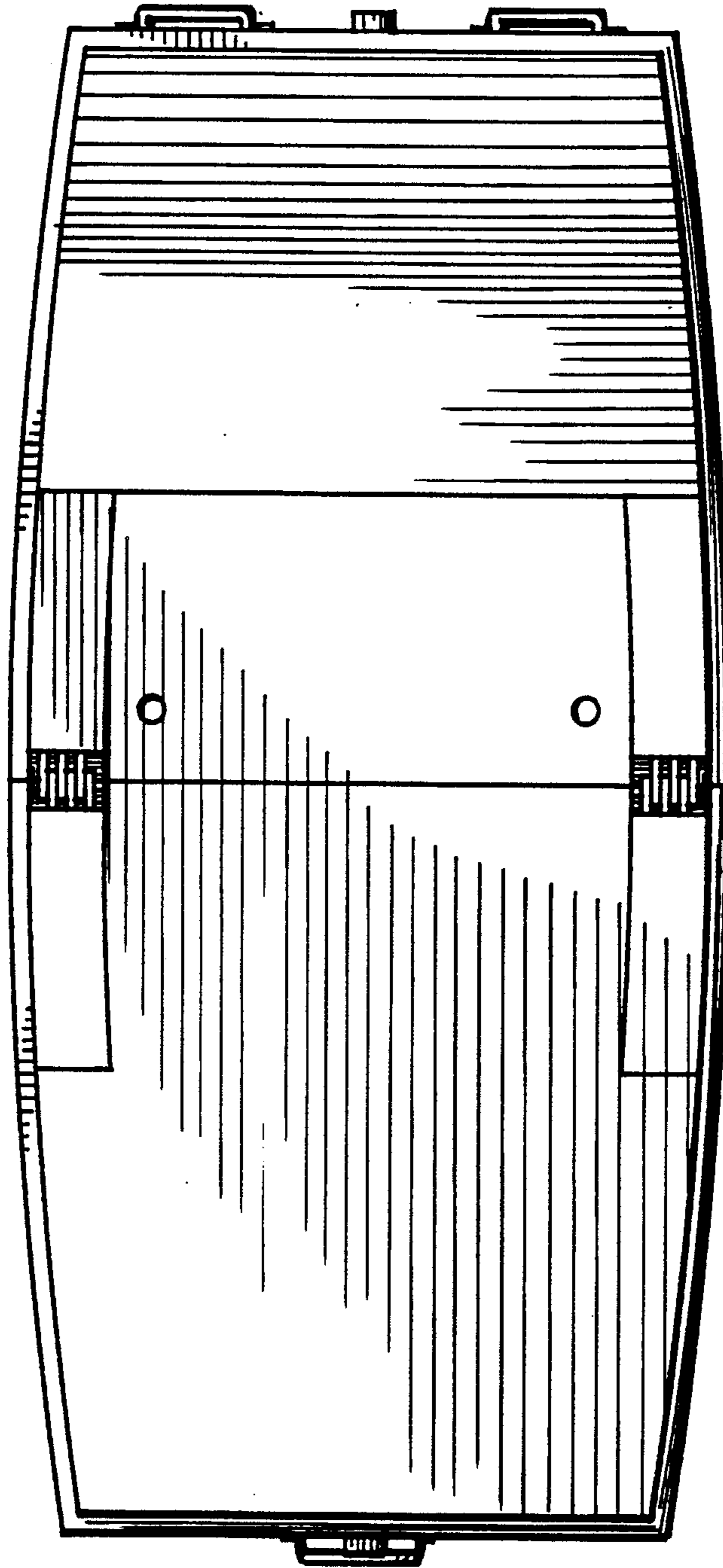


Fig. 6

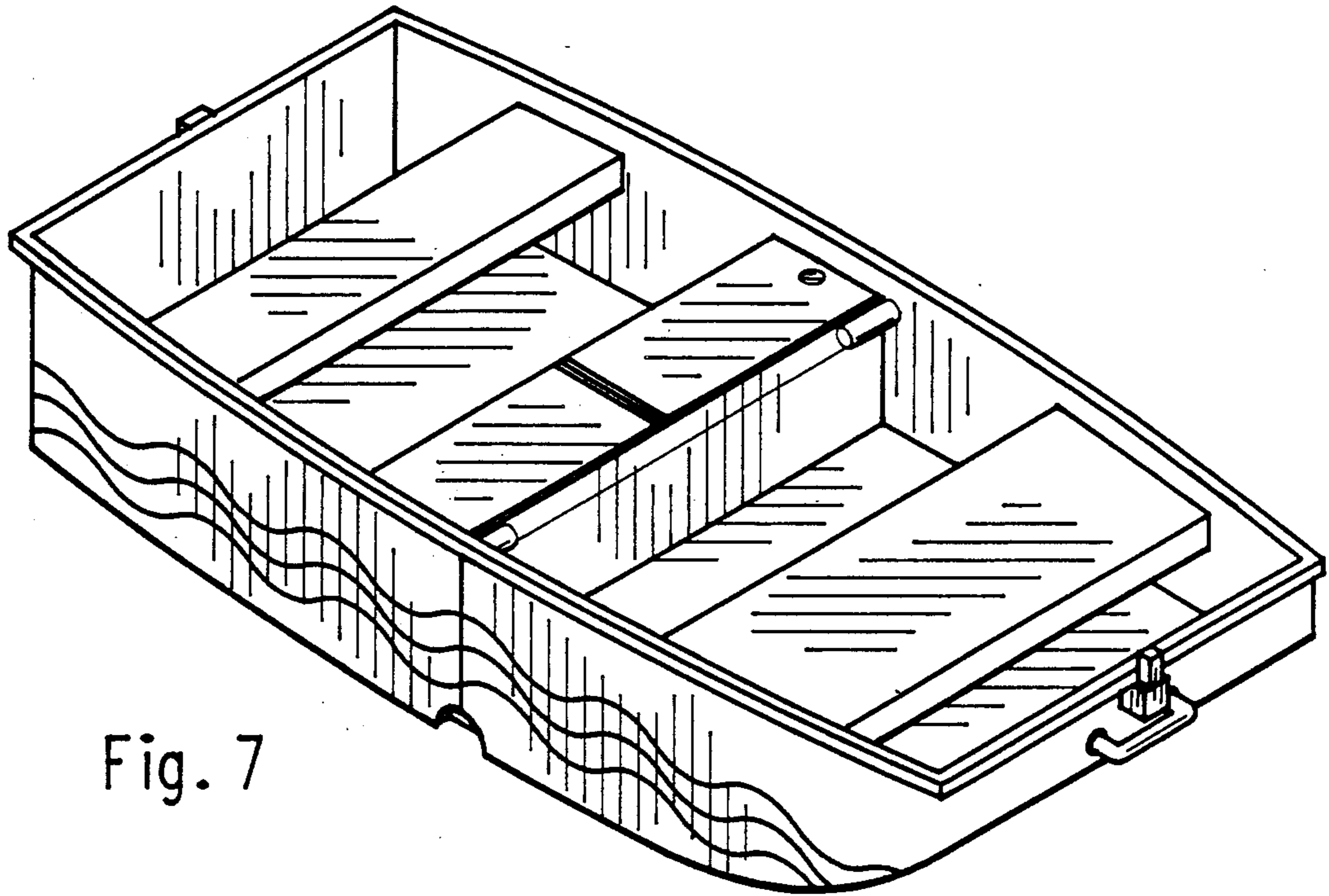


Fig. 7

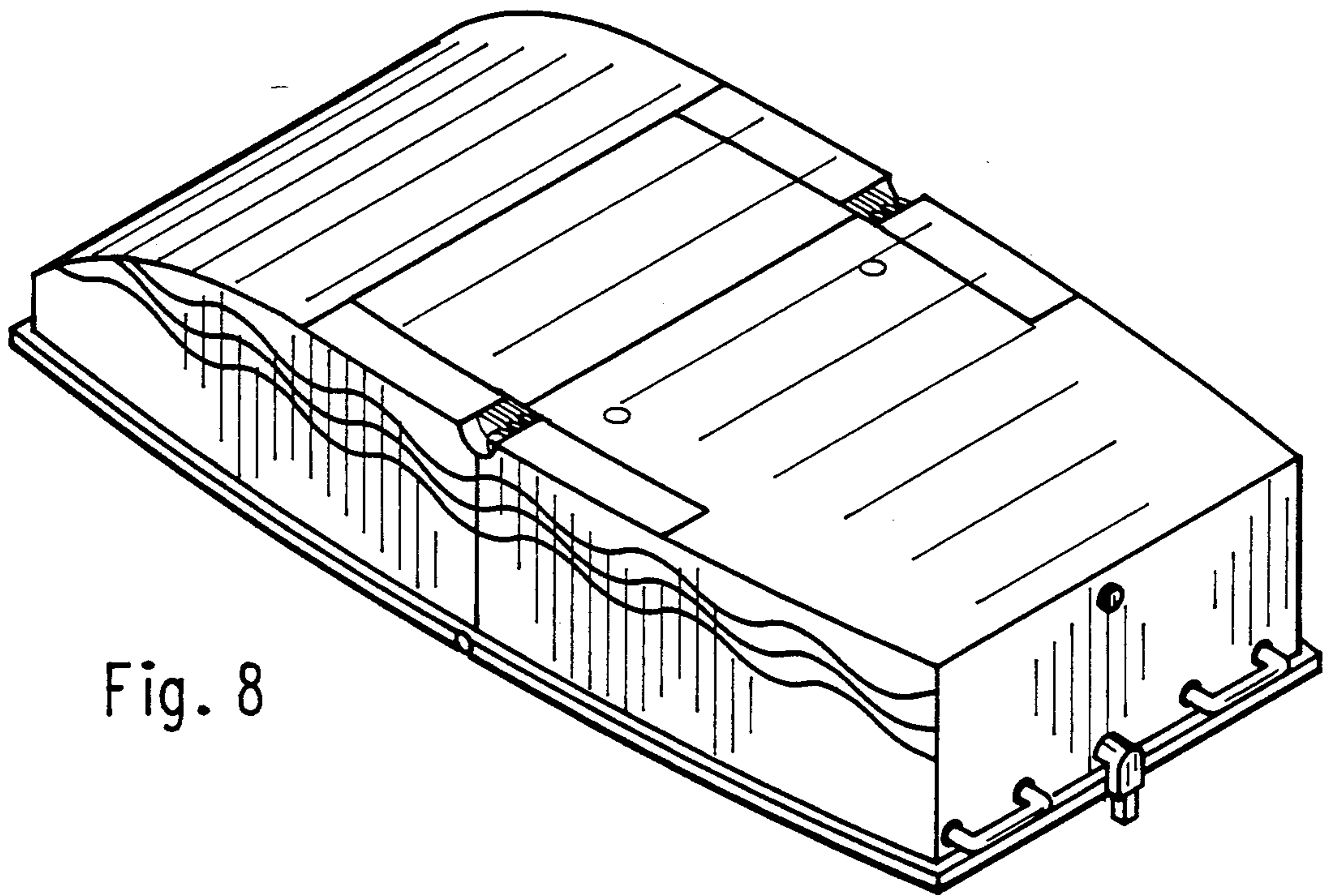


Fig. 8