

[54] STORAGE UNIT FOR A VAN OR THE LIKE

[75] Inventor: Claudio Mallone, c/o Integra Industries, 213 Church St., Weston, Ontario, Canada, M9N 1N9

[73] Assignee: Claudio Mallone, Woodbridge, Canada

[**] Term: 14 Years

[21] Appl. No.: 260,323

[22] Filed: Oct. 19, 1988

[52] U.S. Cl. D12/155

[58] Field of Search D12/155, 192; D3/40; 296/37.7, 37.8; 224/42.42, 42.46 R

[56] References Cited

U.S. PATENT DOCUMENTS

D. 245,414	8/1977	Ashbaugh et al.	D12/155
D. 251,838	5/1979	Derreberry	D12/155
D. 259,633	6/1981	Butler	D12/155
D. 295,969	5/1988	Hooks et al.	D12/155
4,079,987	3/1978	Bumgardener	D12/155
4,226,460	10/1980	Schmidt et al.	296/37.7

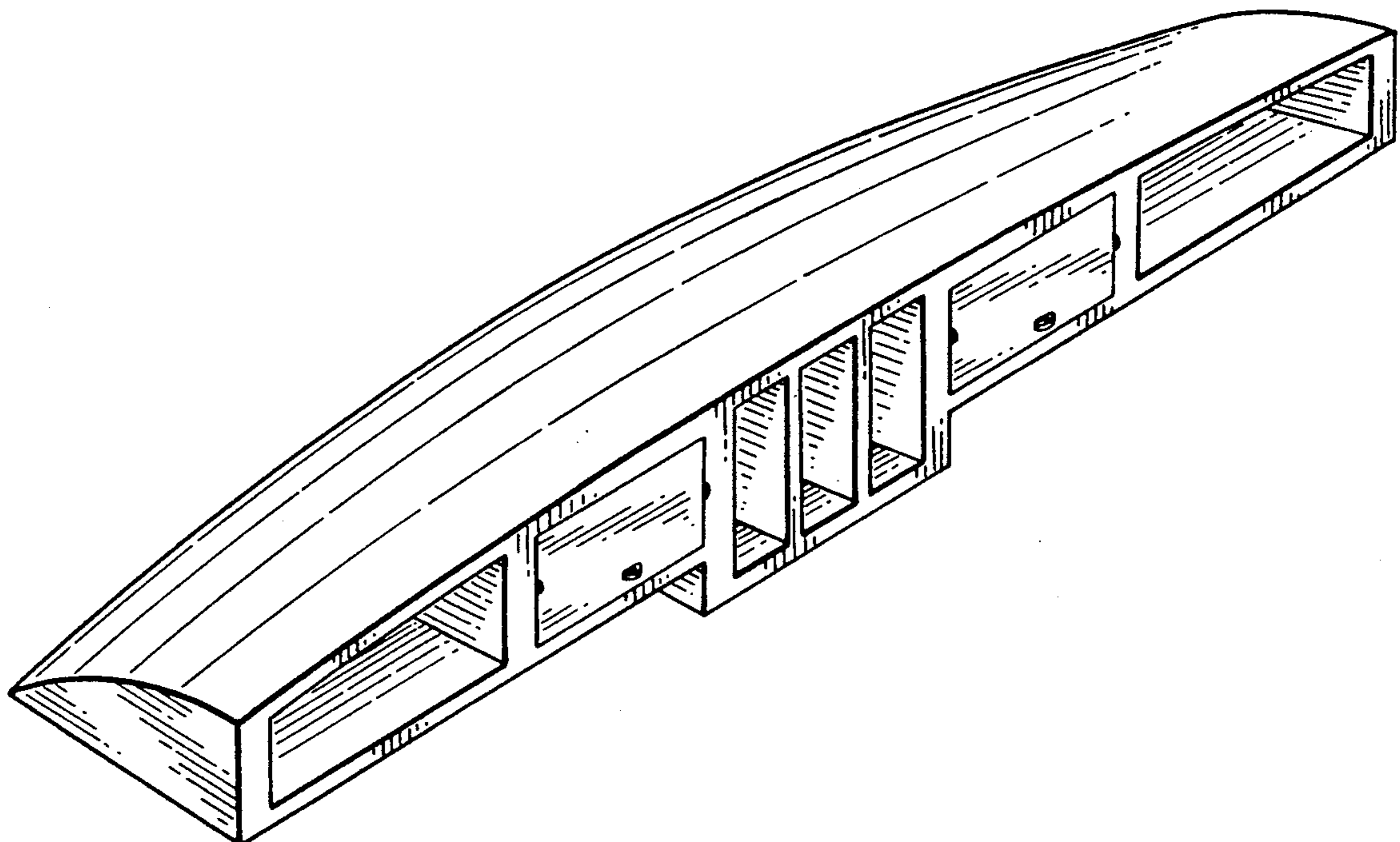
Primary Examiner—James M. Gandy
Attorney, Agent, or Firm—Rogers, Bereskin & Parr

[57] CLAIM

The ornamental design for a storage unit for a van or the like, as shown and described.

DESCRIPTION

FIG. 1 is a front perspective view from above of one embodiment of a storage unit for a van or the like according to our new design;
 FIG. 2 is a rear perspective view from below of FIG. 1;
 FIG. 3 is an end elevation view of FIG. 1;
 FIG. 4 is a front perspective view from above of a second embodiment of a storage unit for a van or the like according to our new design;
 FIG. 5 is a rear perspective view from below of FIG. 4;
 FIG. 6 is an end elevation view of FIG. 4;
 FIG. 7 is a front perspective view from above of a third embodiment of a storage unit for a van or the like according to our new design;
 FIG. 8 is a rear perspective view from below of FIG. 7;
 FIG. 9 is an end elevation view of FIG. 7;
 FIG. 10 is a front perspective view from above of a fourth embodiment of a storage unit for a van or the like according to our new design;
 FIG. 11 is a rear perspective view from below of FIG. 10;
 FIG. 12 is an end elevation of FIG. 10;
 FIG. 13 is a front perspective view from above of a fifth embodiment of a storage unit for a van or the like according to our new design;
 FIG. 14 is a rear perspective view from below of FIG. 13;
 FIG. 15 is an end elevation view of FIG. 13.



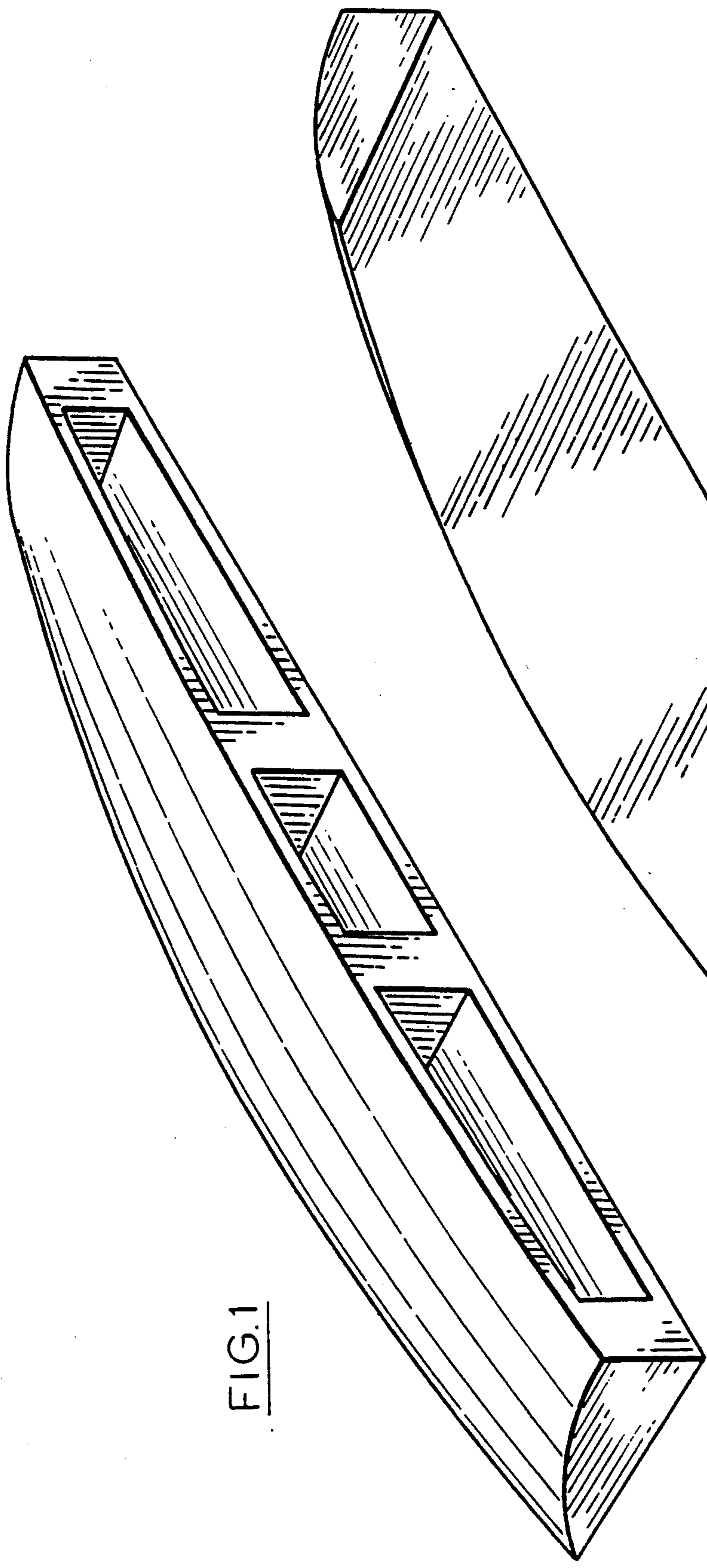


FIG.1

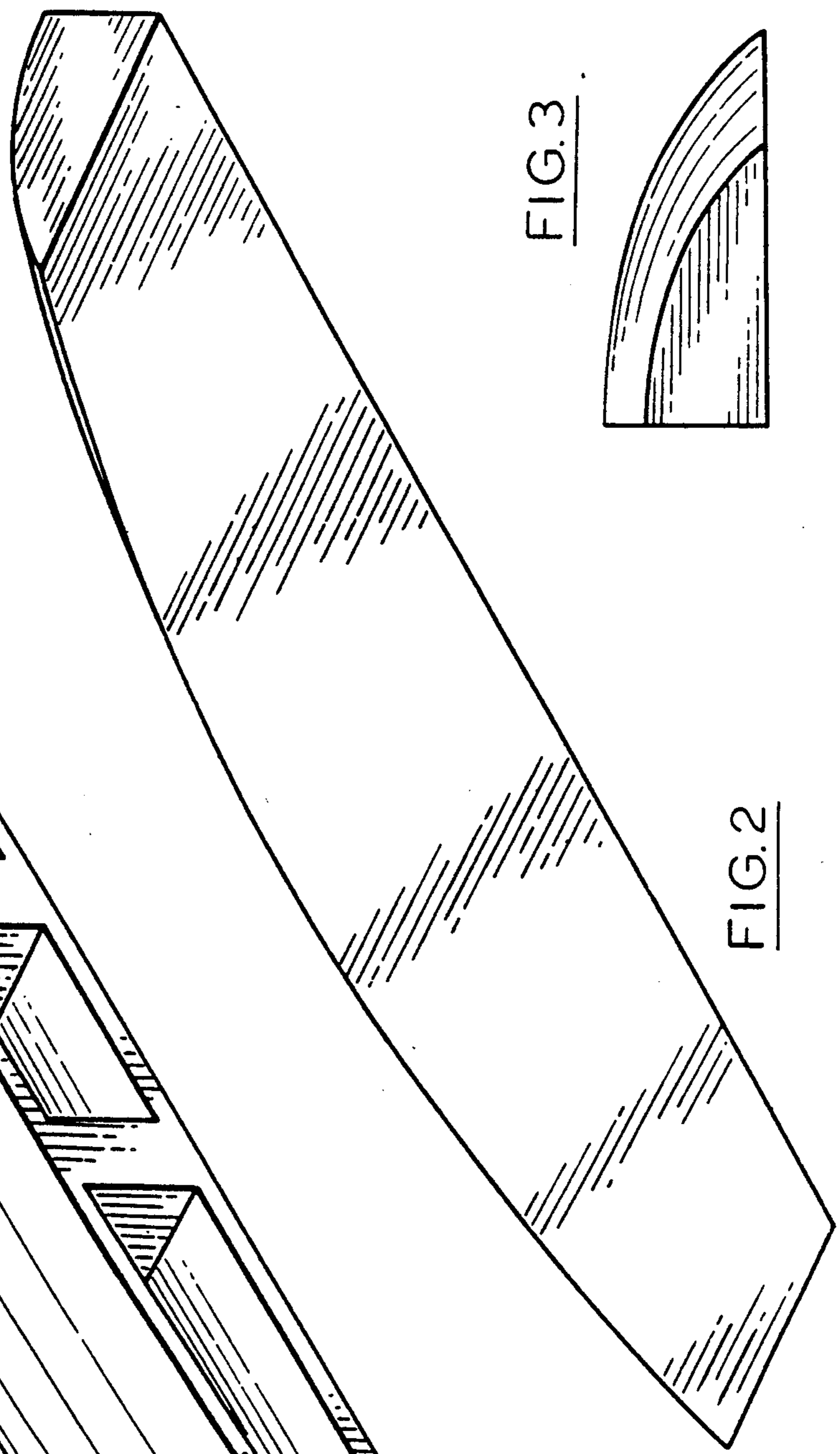
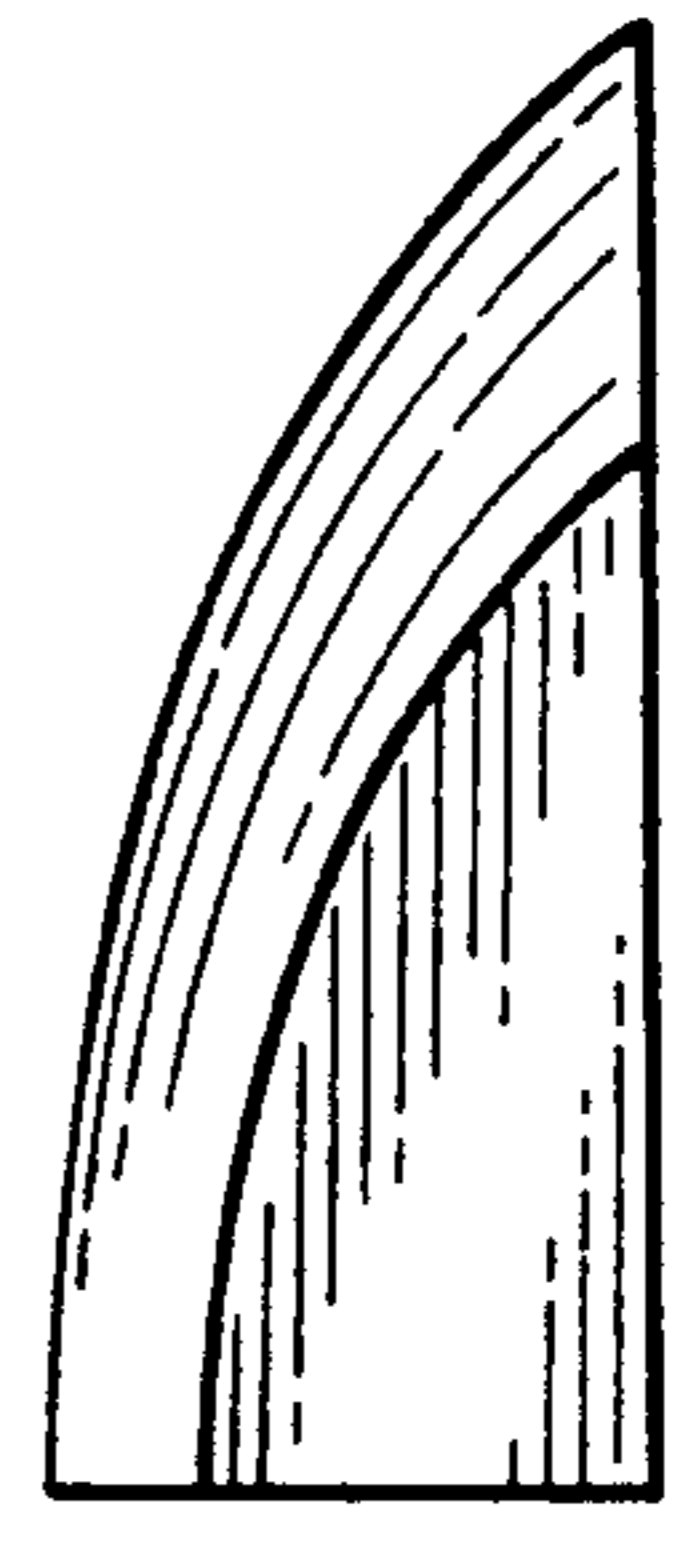


FIG.2

FIG.3



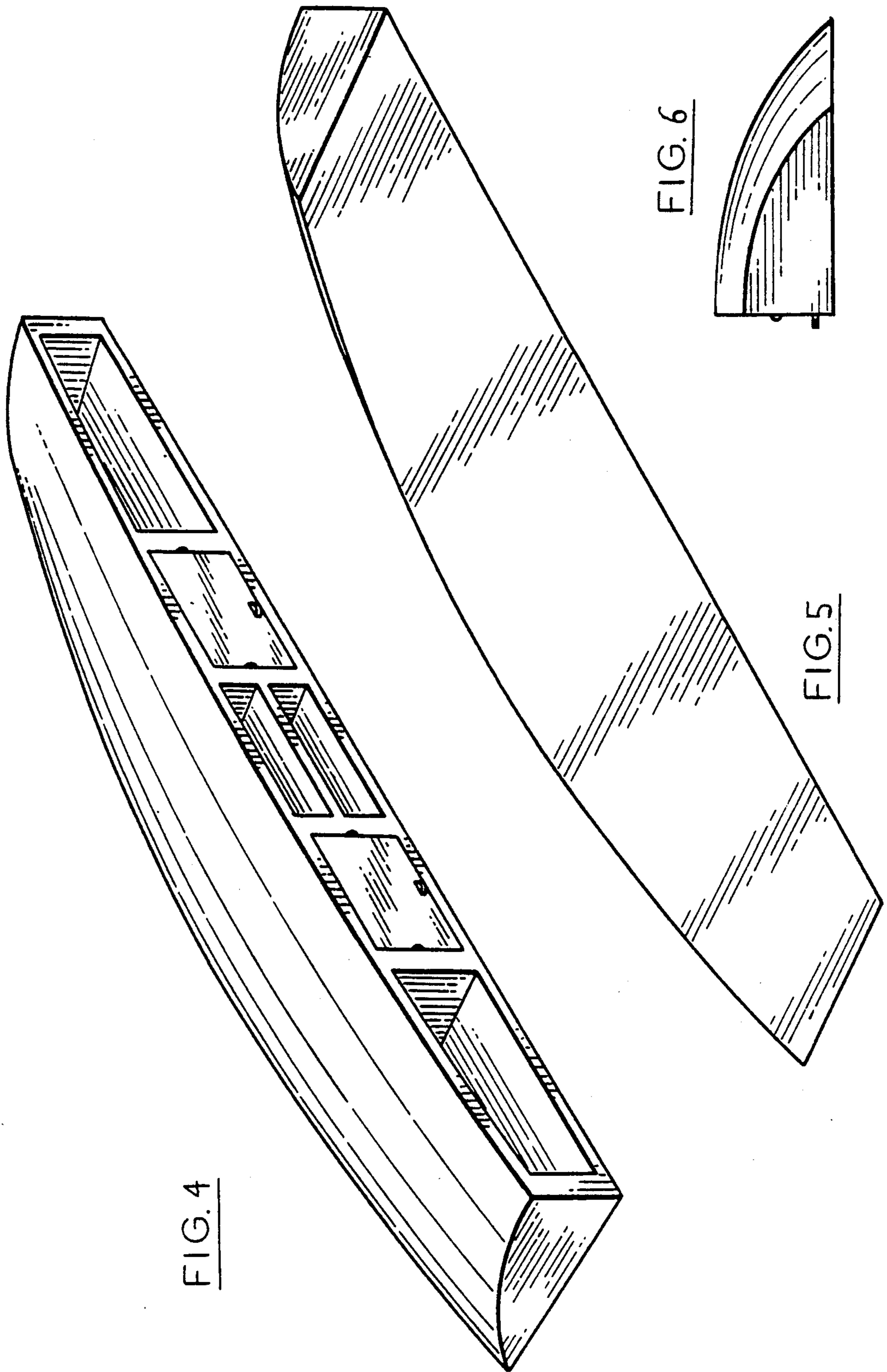


FIG. 4

FIG. 6

FIG. 5

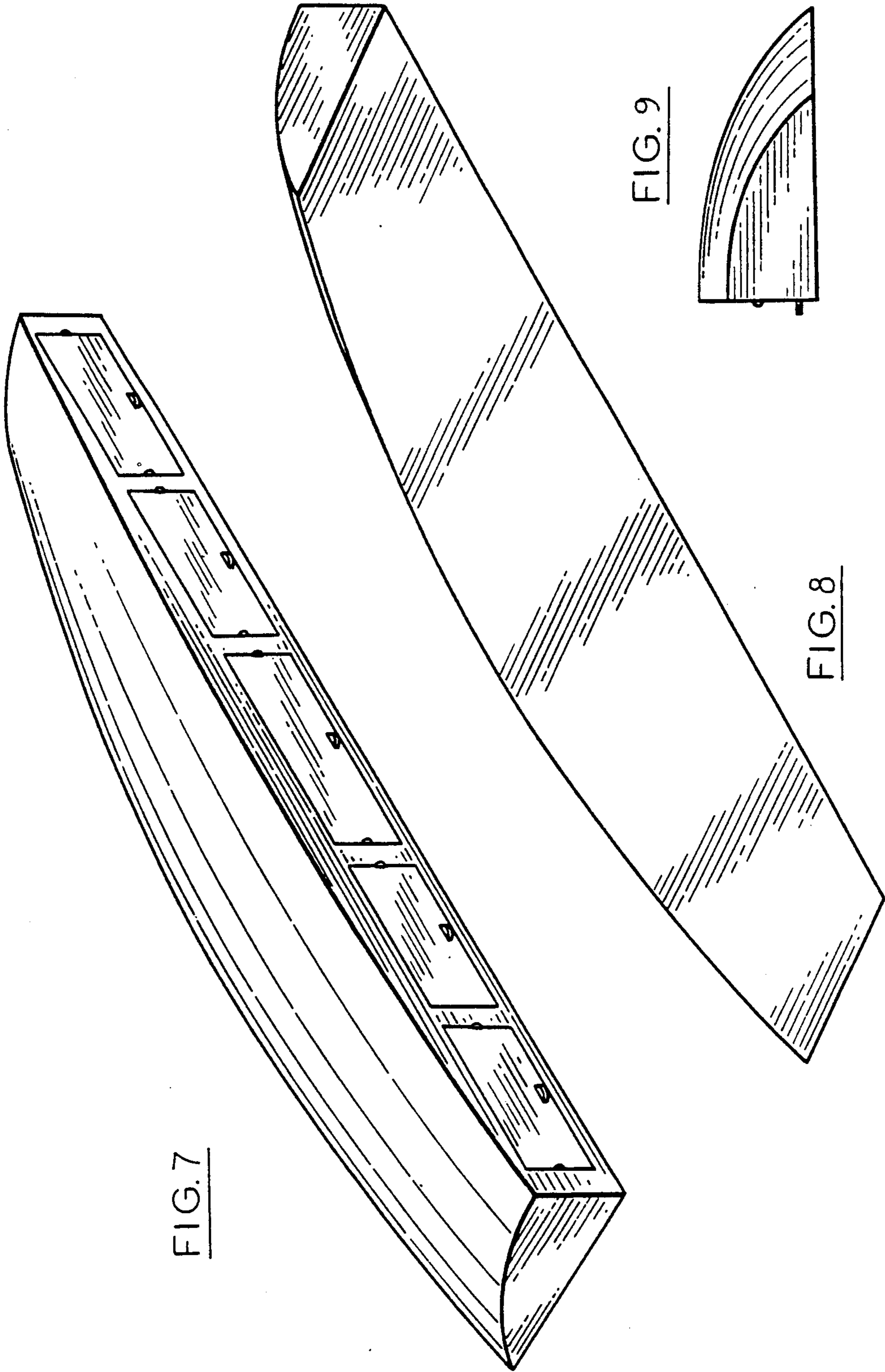
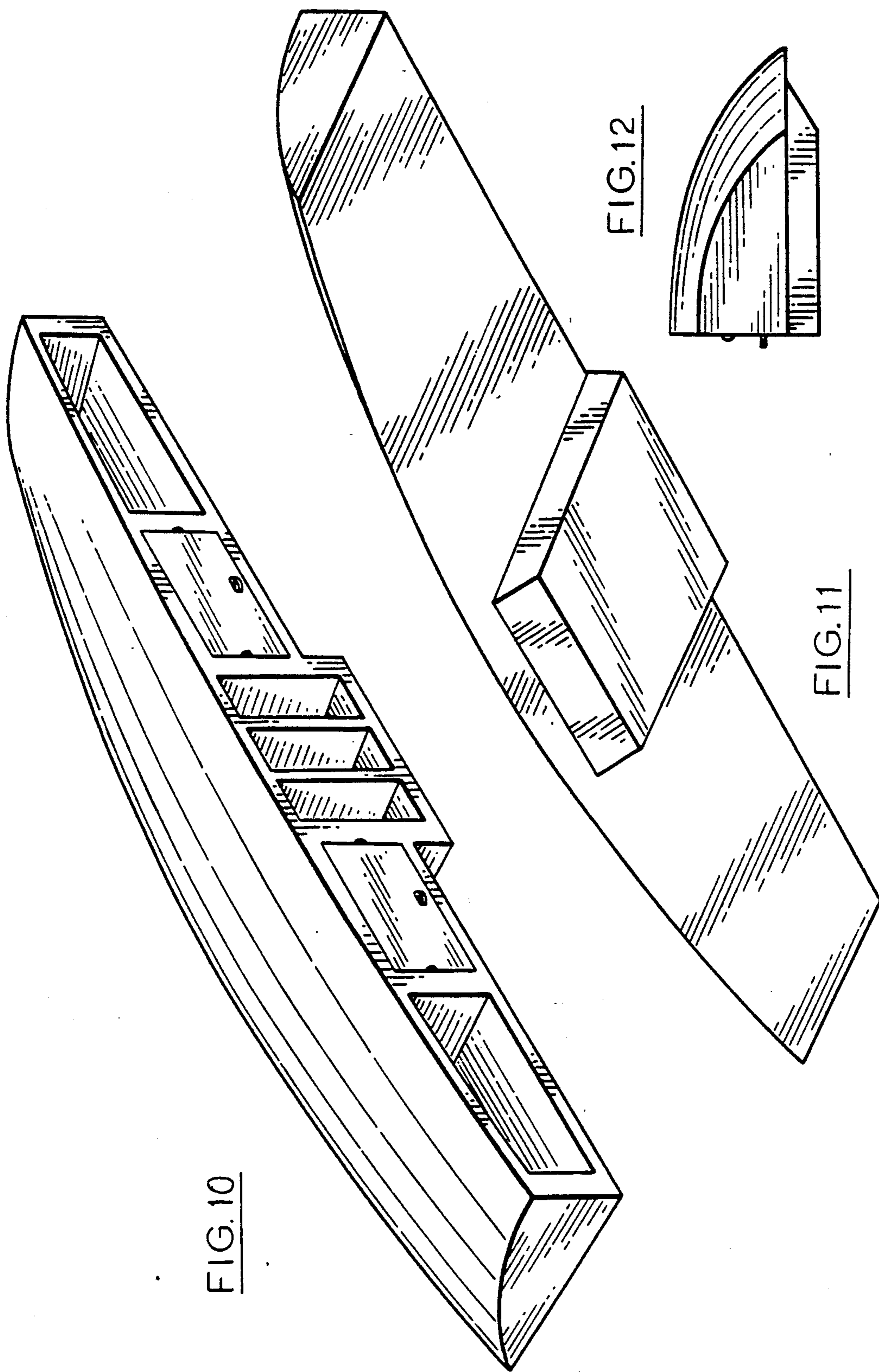


FIG. 7

FIG. 9

FIG. 8



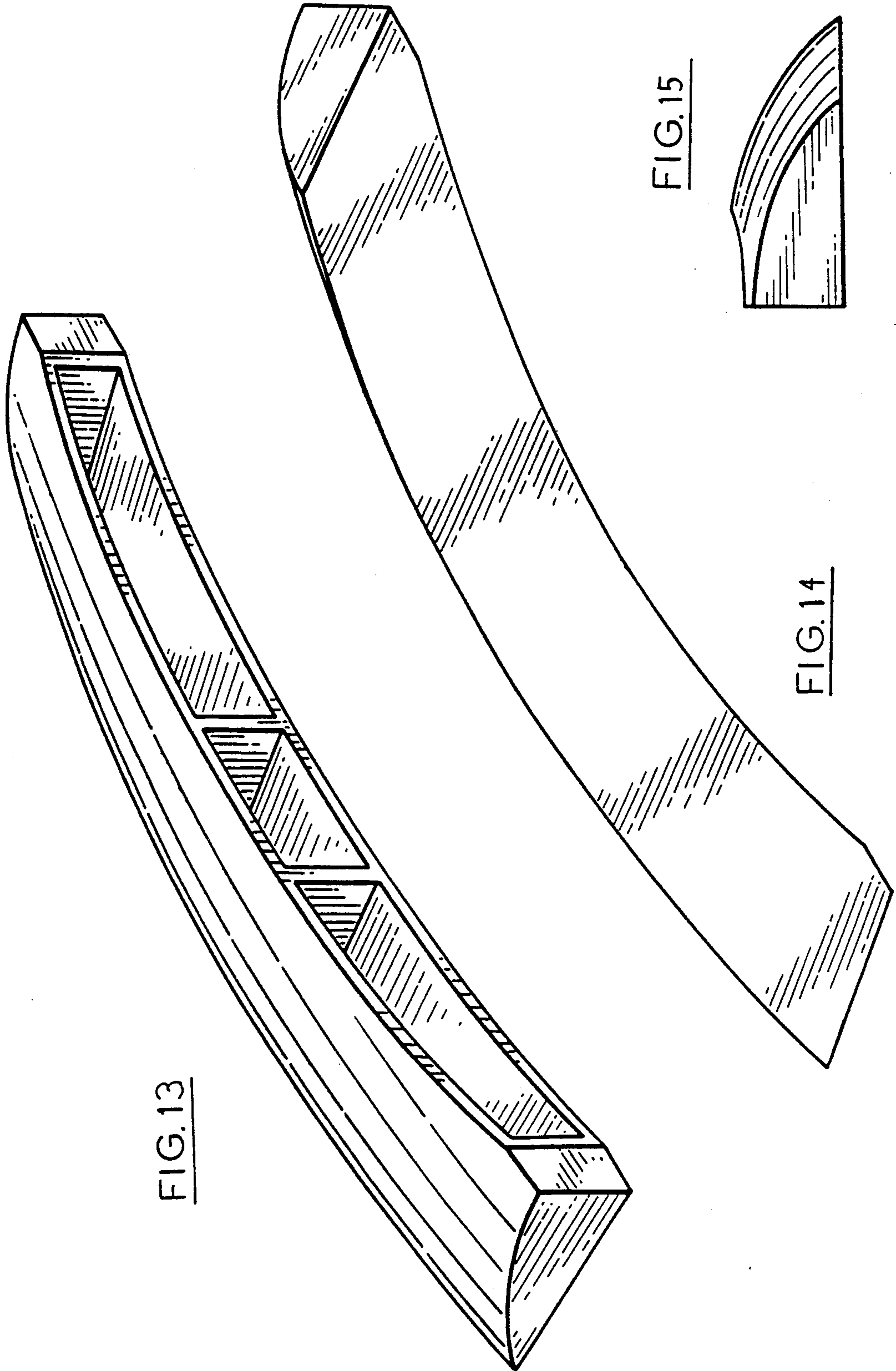


FIG. 13

FIG. 15

FIG. 14