

[54] **TRAILER BODY**

[75] **Inventor: Robert G. Sapp, Cave Spring, Ga.**

[73] **Assignee: Creative Promotional Products, Inc.,
Atlanta, Ga.**

[**] **Term: 14 Years**

[21] **Appl. No.: 267,517**

[22] **Filed: Nov. 4, 1988**

[52] **U.S. Cl. D12/102**

[58] **Field of Search D12/102, 83; 296/156**

[56]

References Cited

U.S. PATENT DOCUMENTS

D. 186,162 9/1959 Sjoman D12/83
618,634 1/1899 Young et al. D12/83

Primary Examiner—James M. Gandy
Assistant Examiner—Melody Brown
Attorney, Agent, or Firm—James B. Middleton

[57]

CLAIM

The ornamental design for a trailer body, as shown.

DESCRIPTION

FIG. 1 is a left side elevational view of a trailer body showing my new design;

FIG. 2 is a top plan view thereof;

FIG. 3 is a right side elevational view thereof;

FIG. 4 is a front elevational view thereof; and,

FIG. 5 is a rear elevational view thereof.

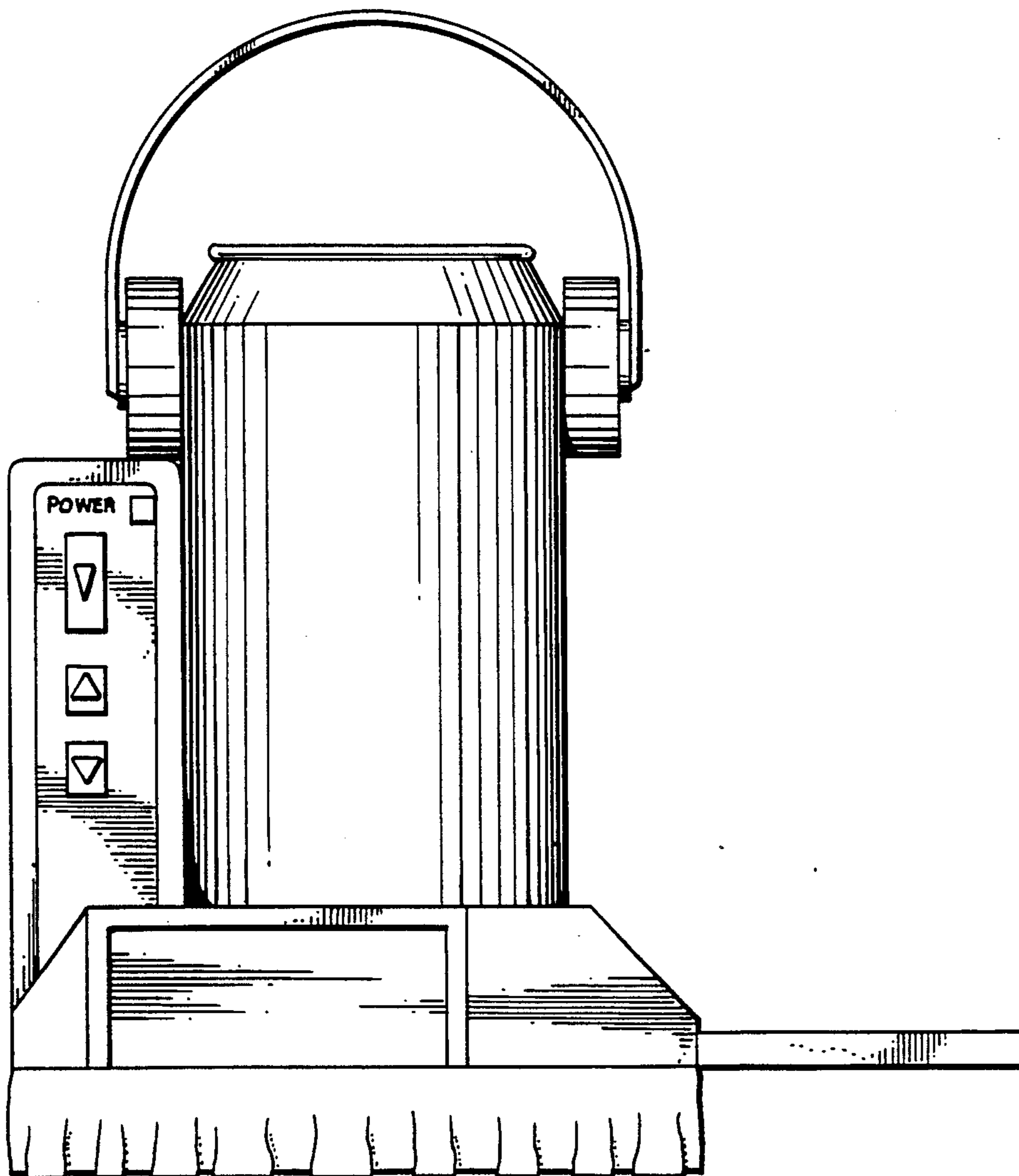


Fig. 1

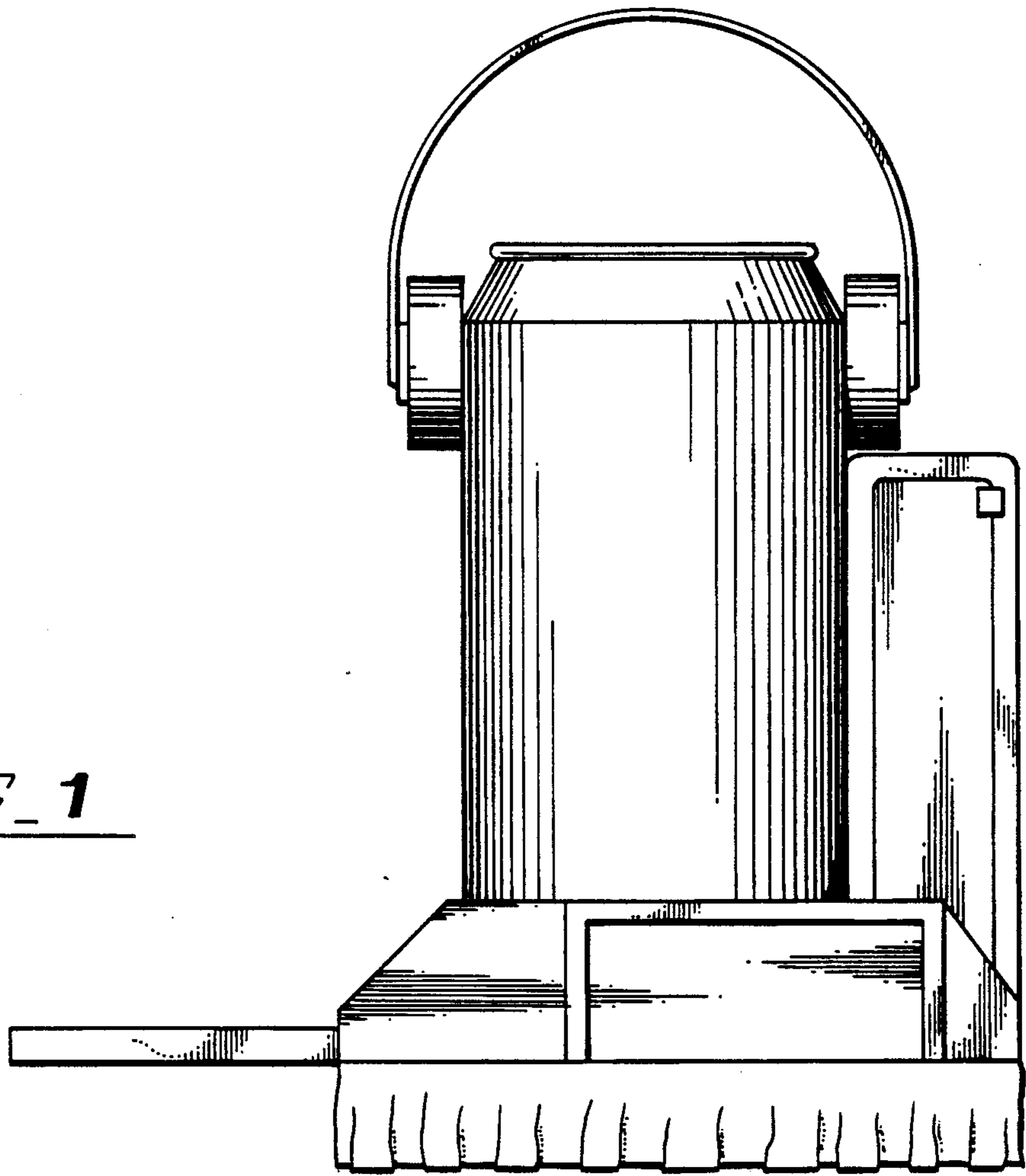
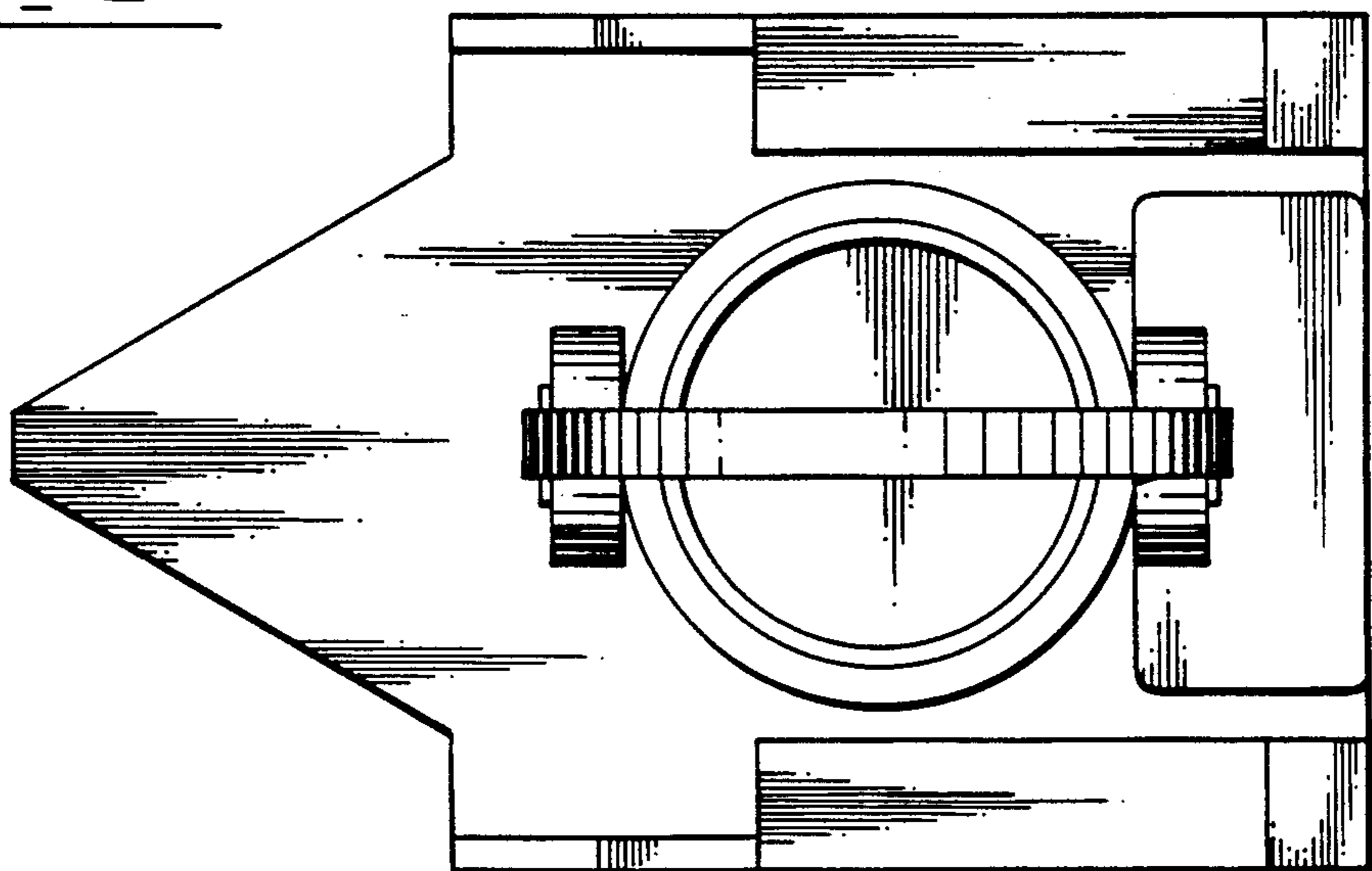


Fig. 2



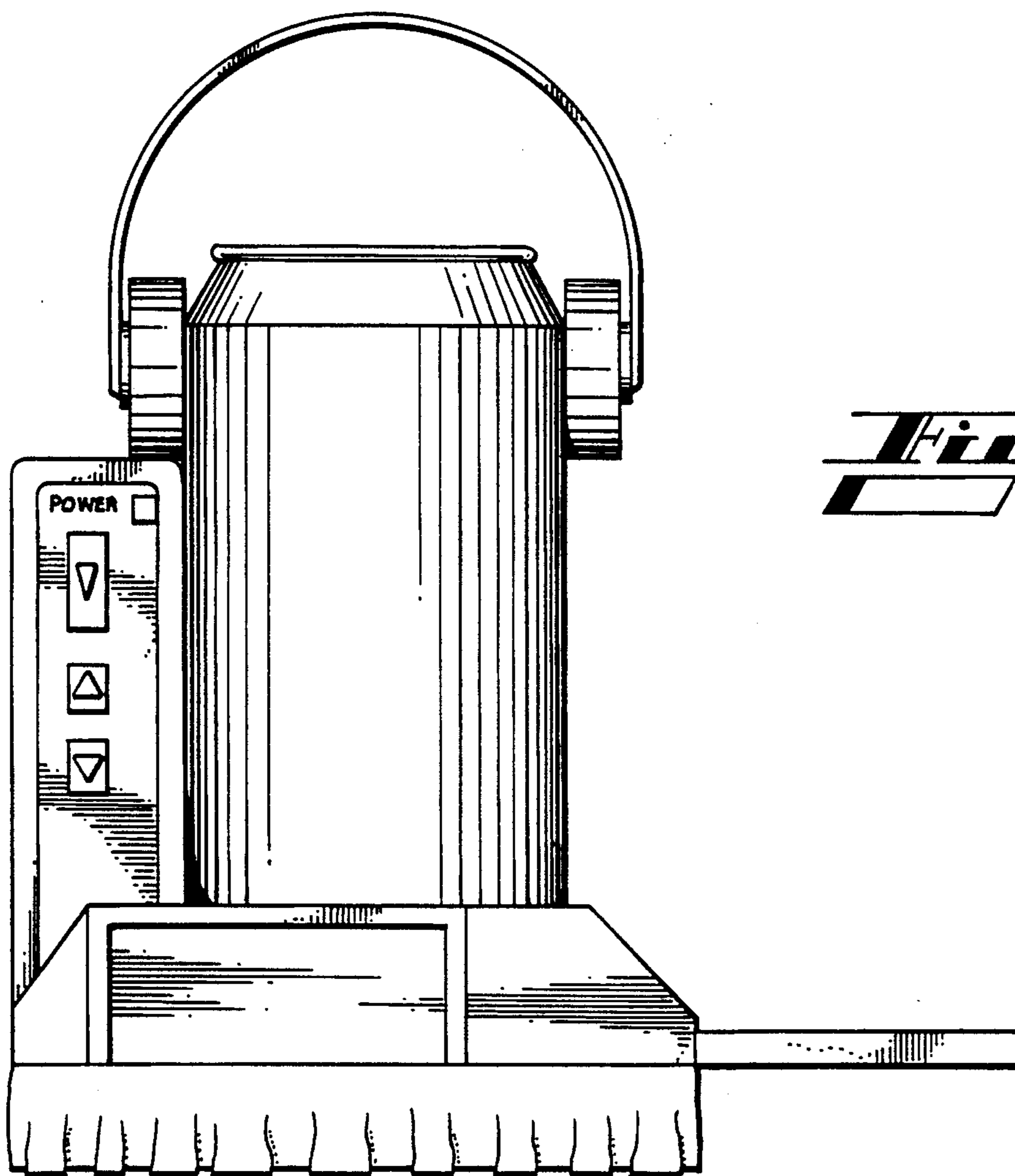


Fig. 3

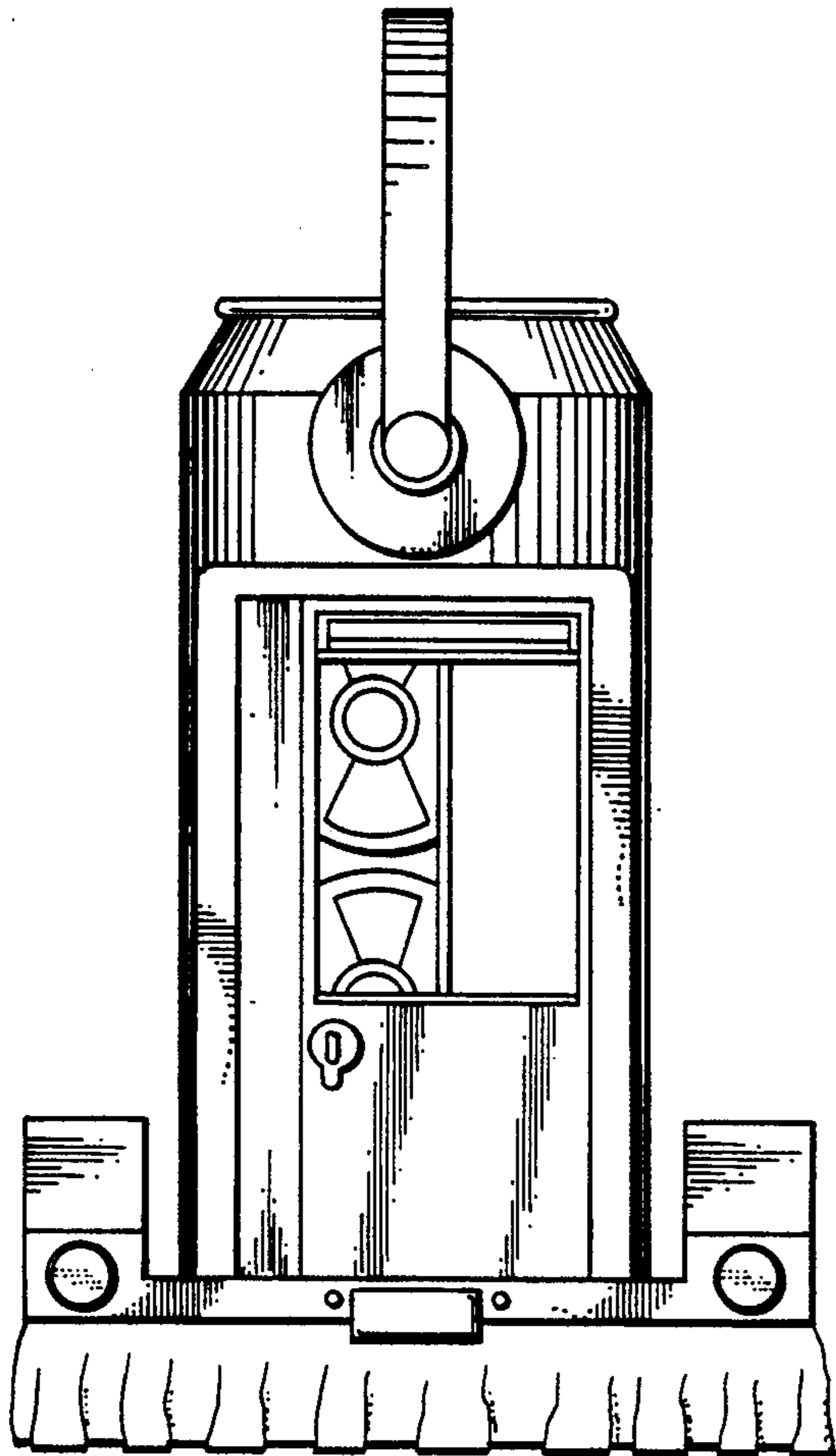


Fig. - 4

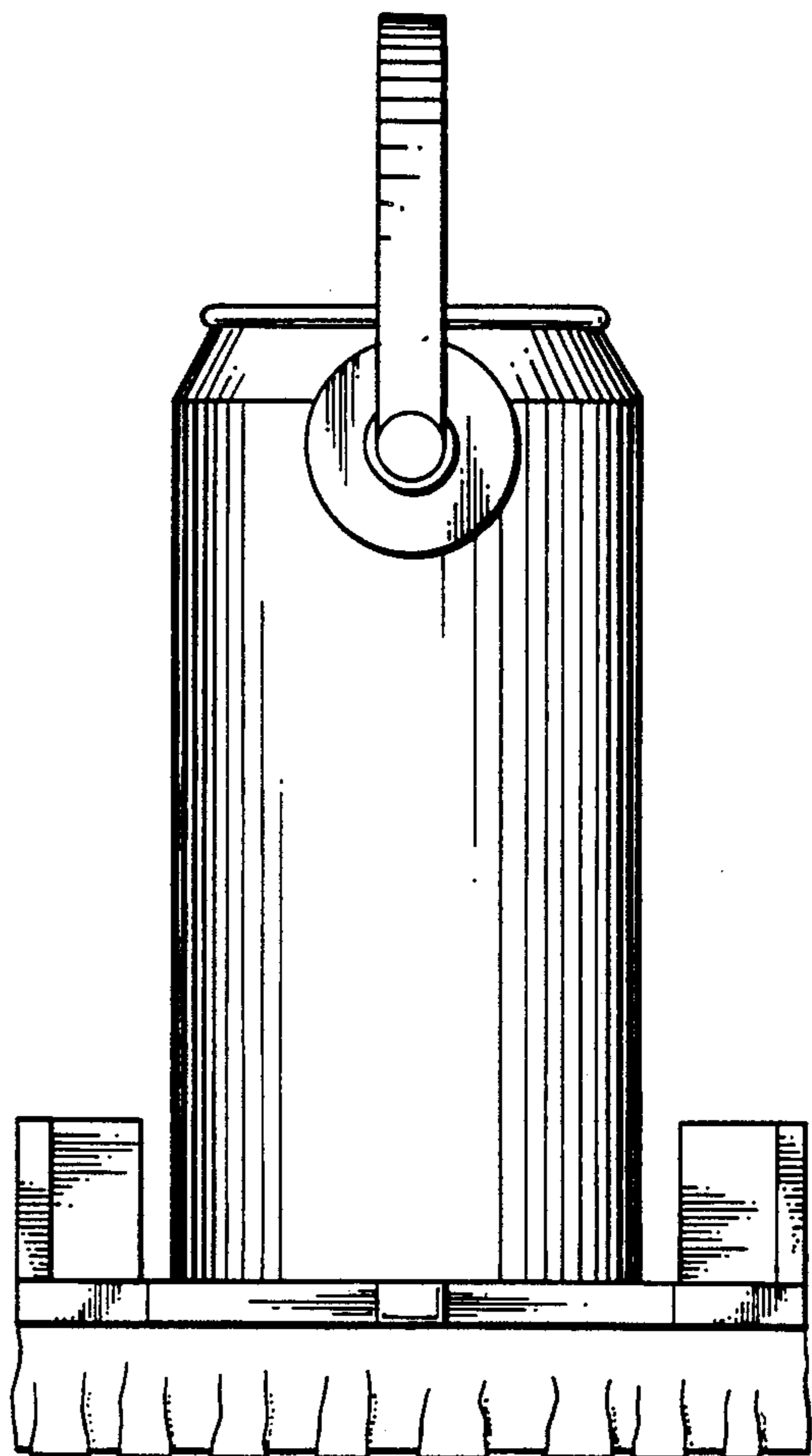


Fig. - 5