

[54] **FINGERTIP JEWELRY**

[76] **Inventor: Mary S. Samaras, 157 Thereas Way, Chula Vista, Calif. 92011**

[**] **Term: 14 Years**

[21] **Appl. No.: 264,174**

[22] **Filed: Oct. 28, 1988**

[52] **U.S. Cl. D11/27; D28/56**

[58] **Field of Search D11/5, 27, 32, 1-2; 63/1.1, 2; D28/56**

[56] **References Cited**

U.S. PATENT DOCUMENTS

D. 147,797	11/1947	Kayer	D28/56
D. 156,019	11/1949	Lynch	D11/32
2,225,571	12/1940	Smith	D28/56
2,563,689	8/1951	Muhlhauser	D28/56

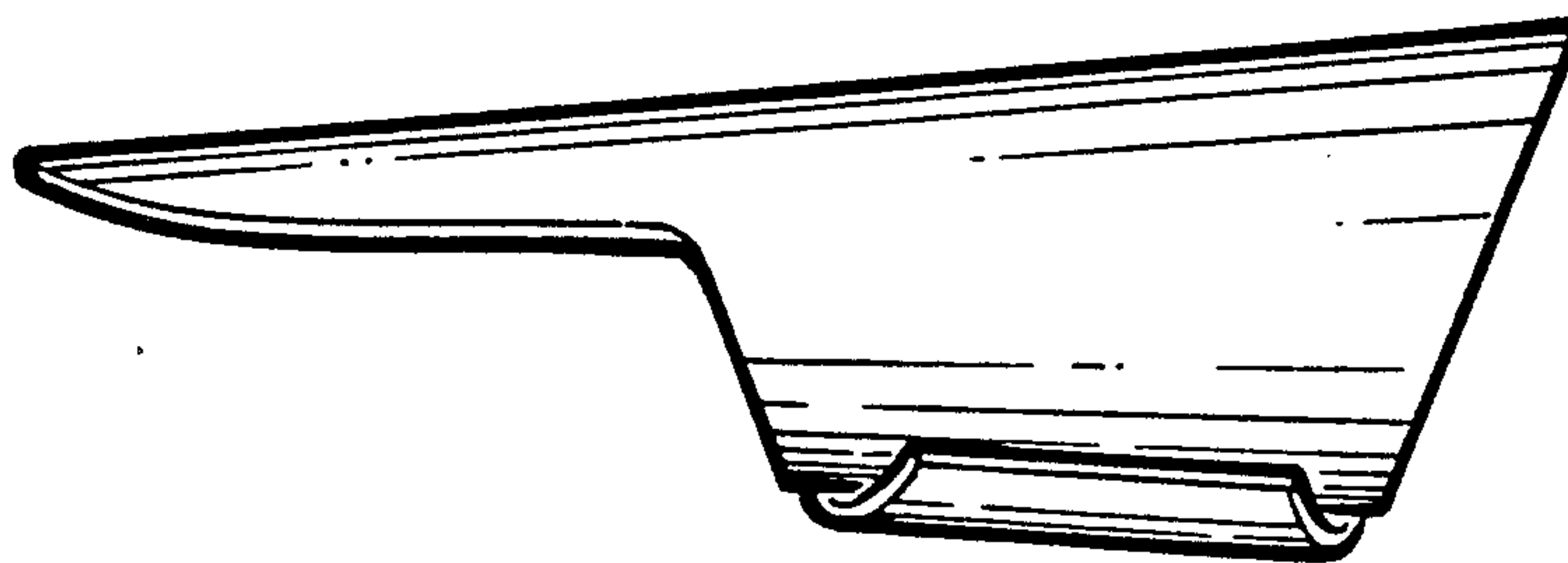
Primary Examiner—Louis S. Zarfes
Assistant Examiner—R. T. Seifert
Attorney, Agent, or Firm—Charles C. Logan, II

[57] **CLAIM**

The ornamental design for a fingertip jewelry, as shown and described.

DESCRIPTION

FIG. 1 is a top perspective view of fingertip jewelry showing my new design;
FIG. 2 is a bottom perspective view;
FIG. 3 is a top plan view;
FIG. 4 is a front elevational view;
FIG. 5 is a side elevational view;
FIG. 6 is a bottom plan view;
FIG. 7 is a developed top plan view;
FIG. 8 is a developed top plan view of fingertip jewelry showing a second embodiment of my new design.



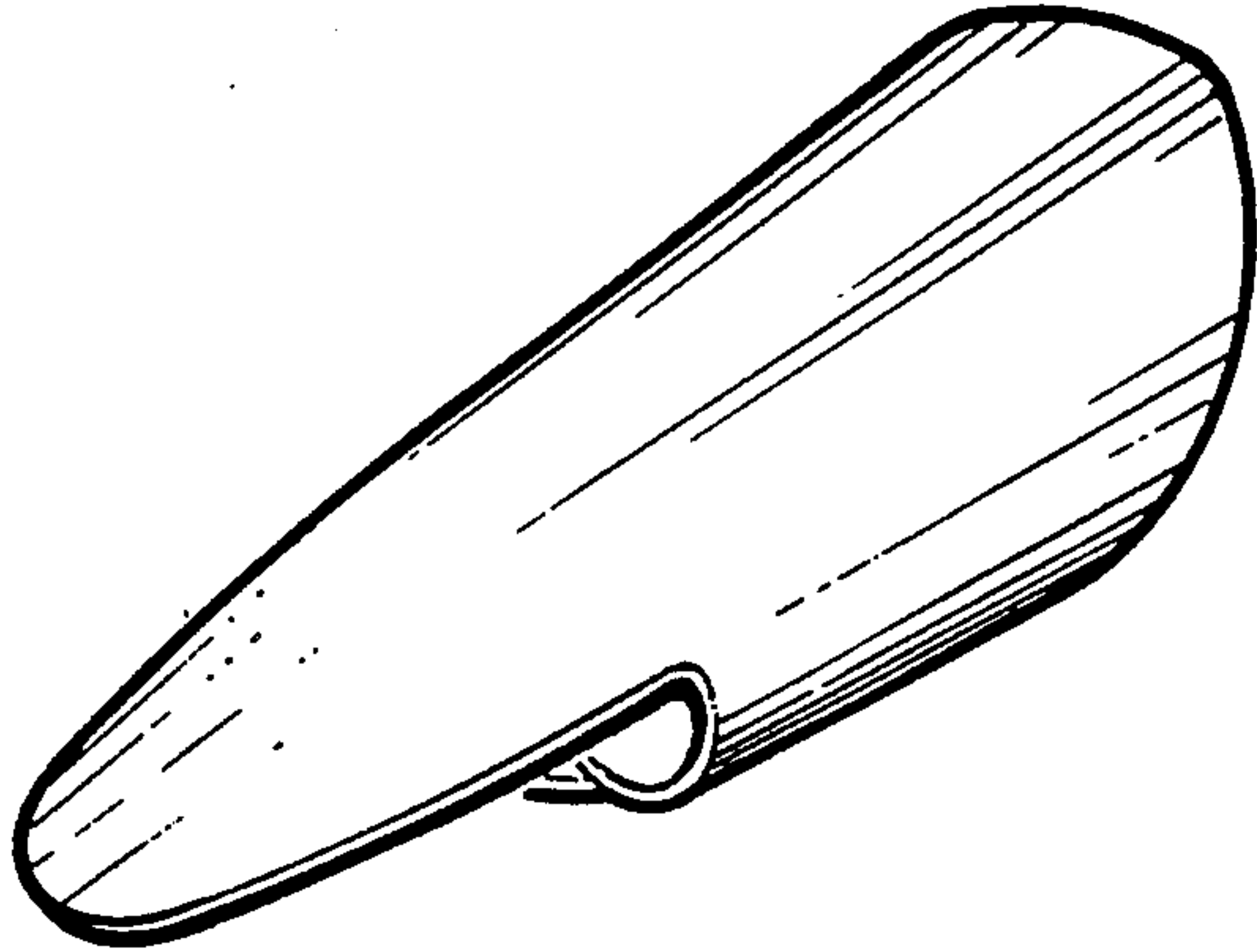


FIGURE 1

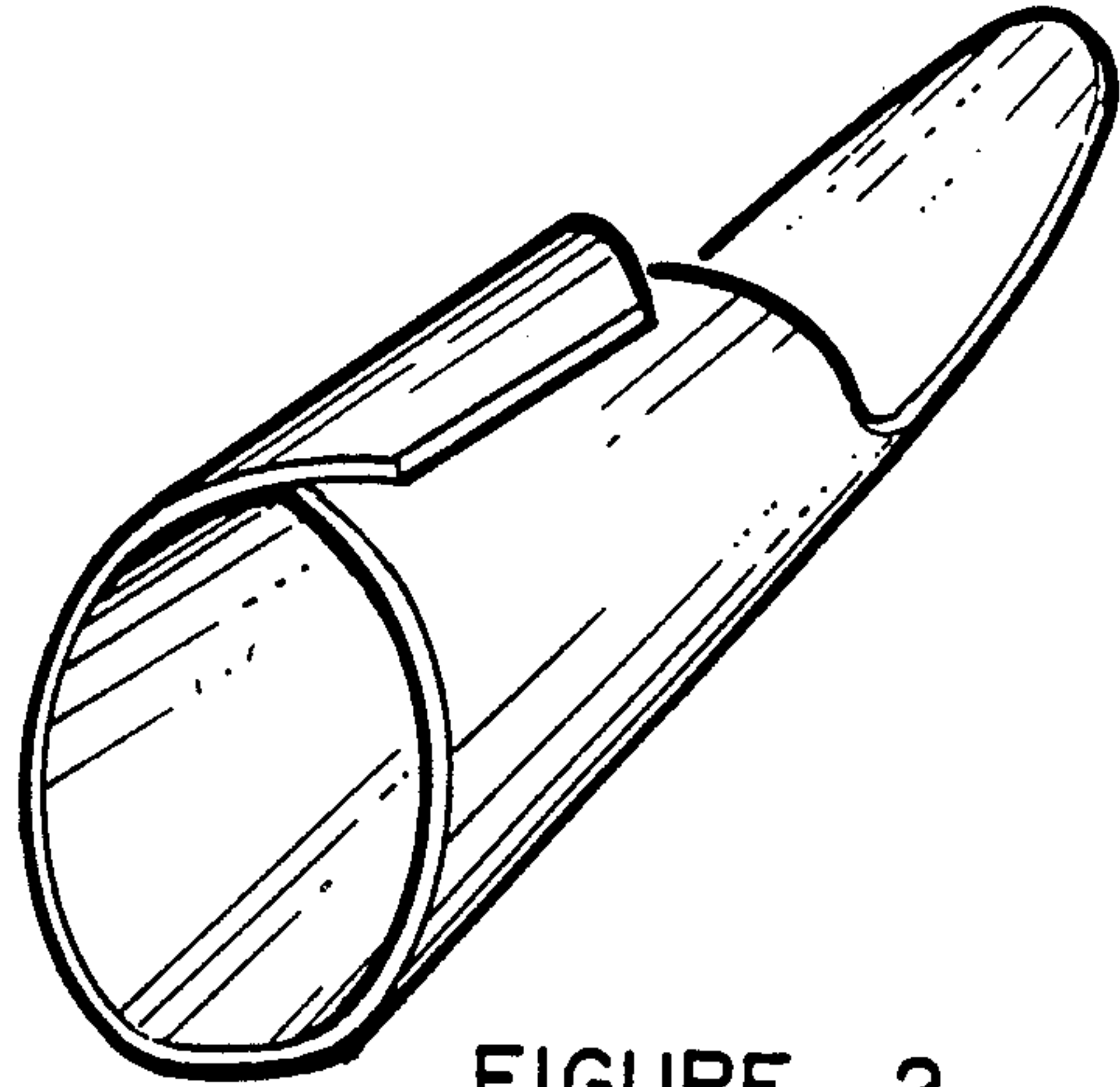


FIGURE 2

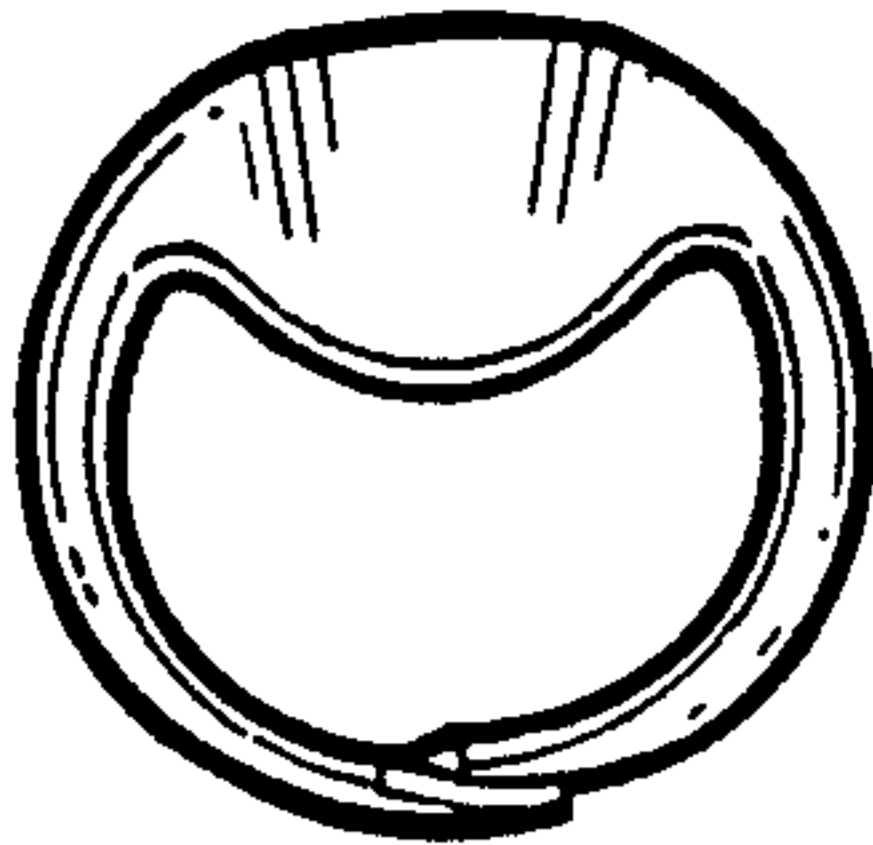


FIGURE 4

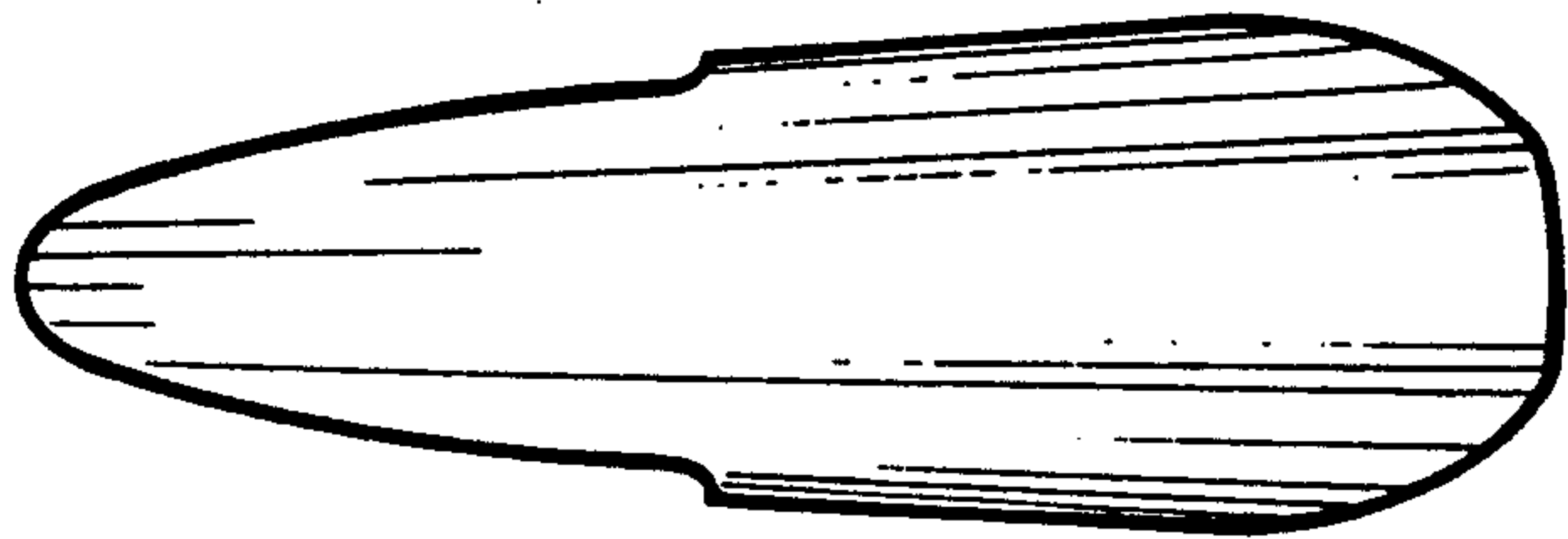


FIGURE 3

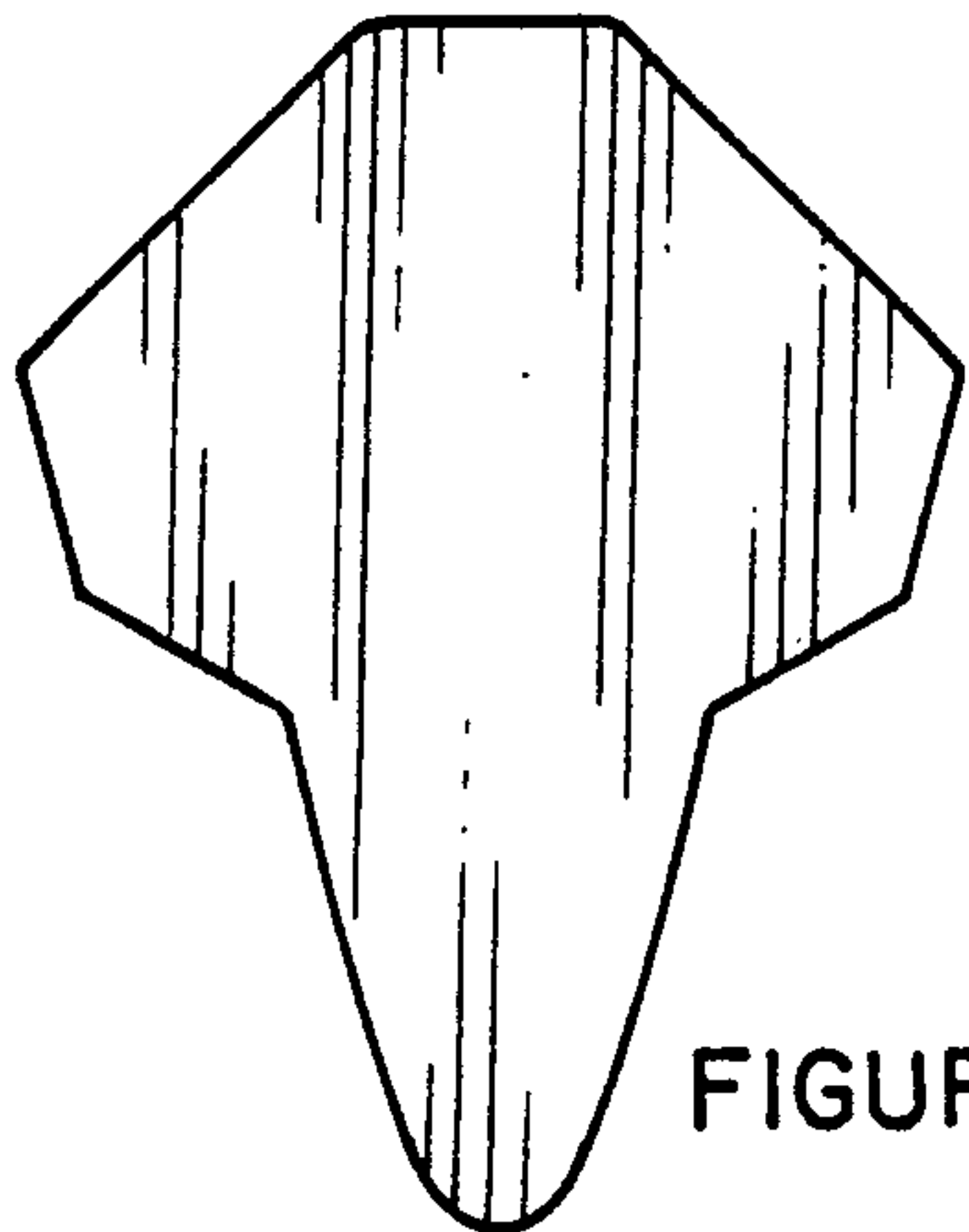


FIGURE 7

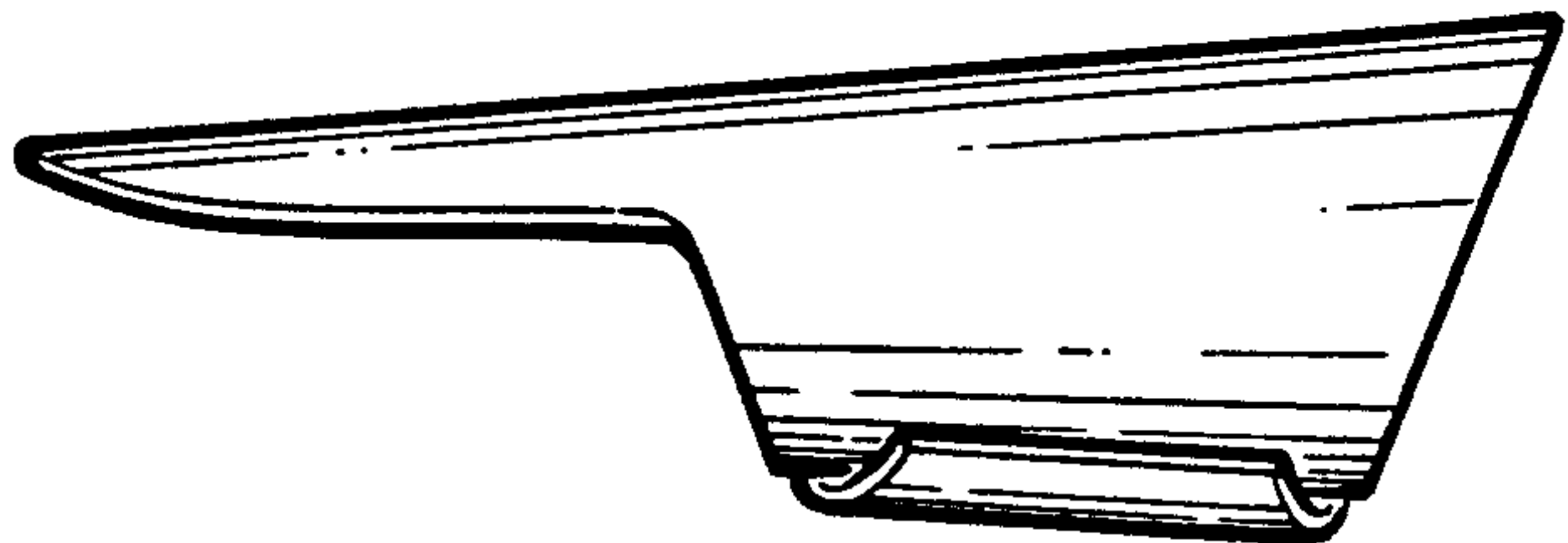


FIGURE 5

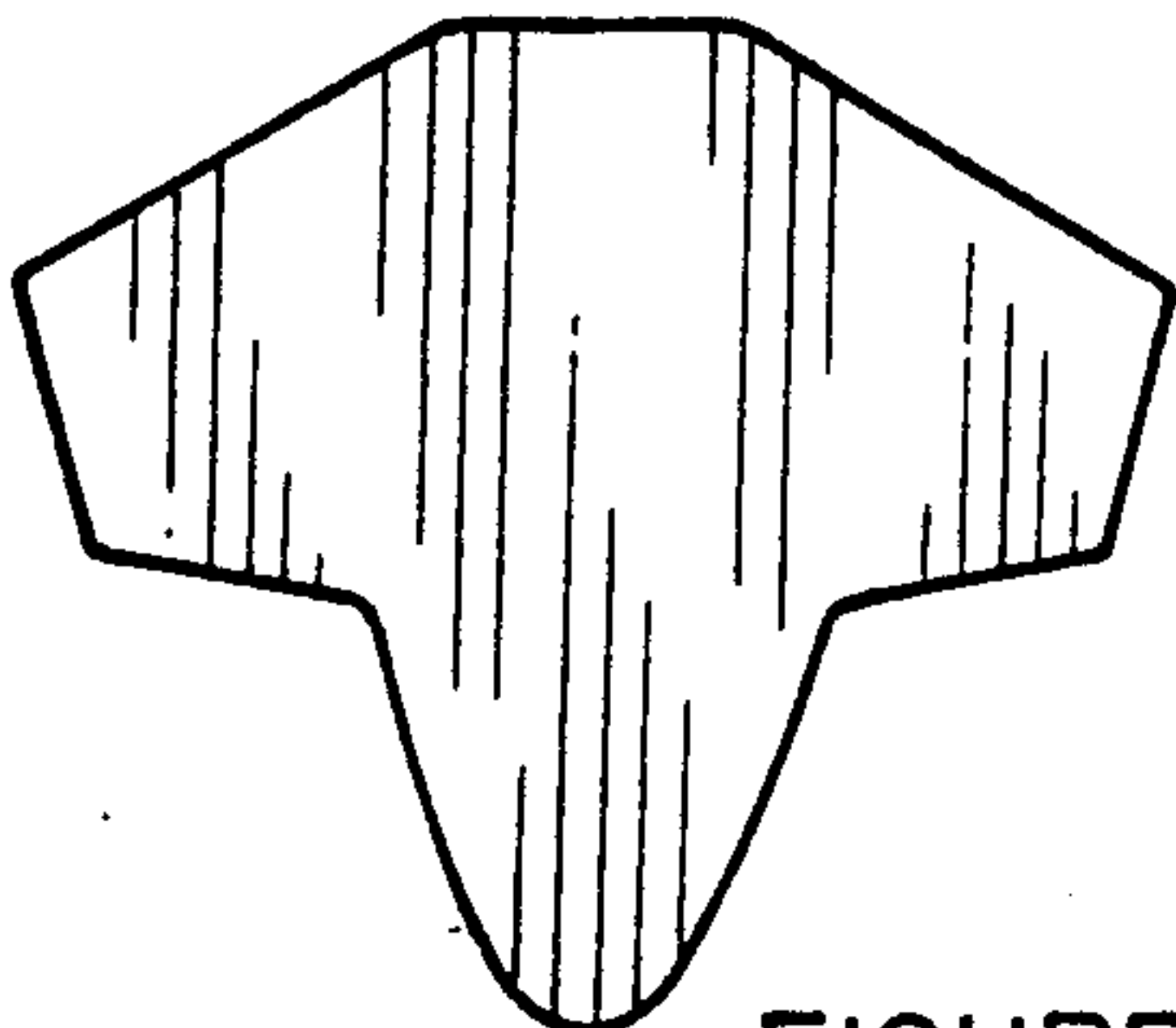


FIGURE 8

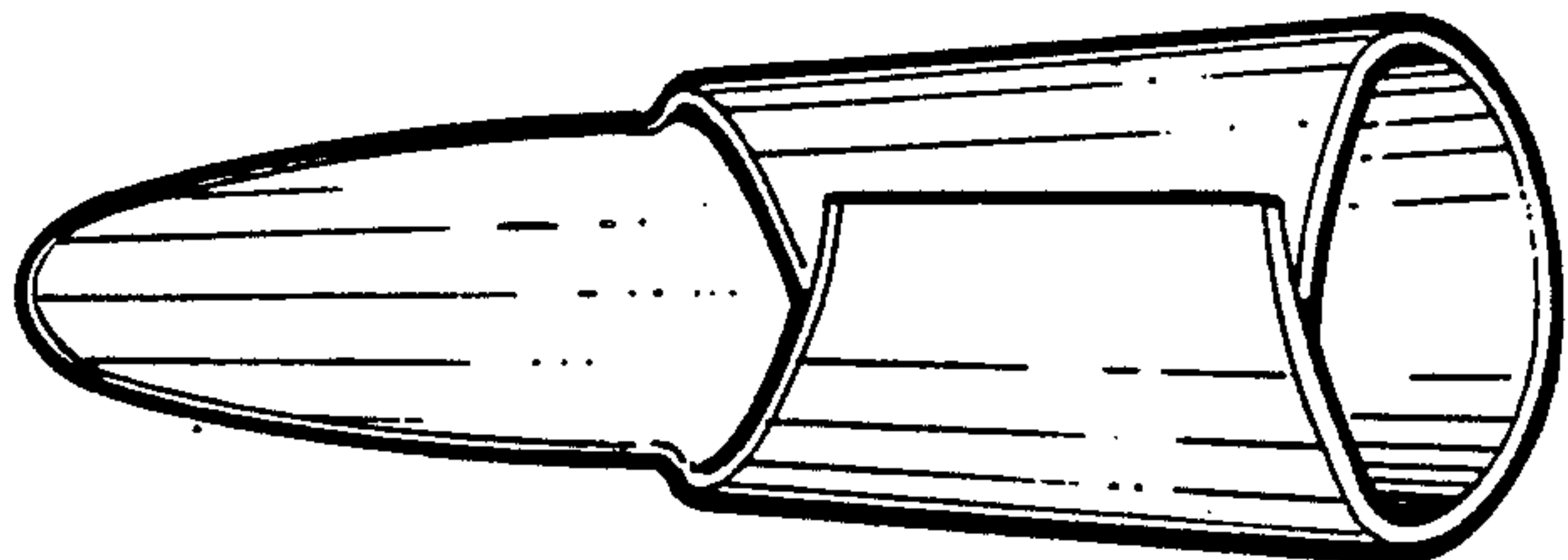


FIGURE 6