

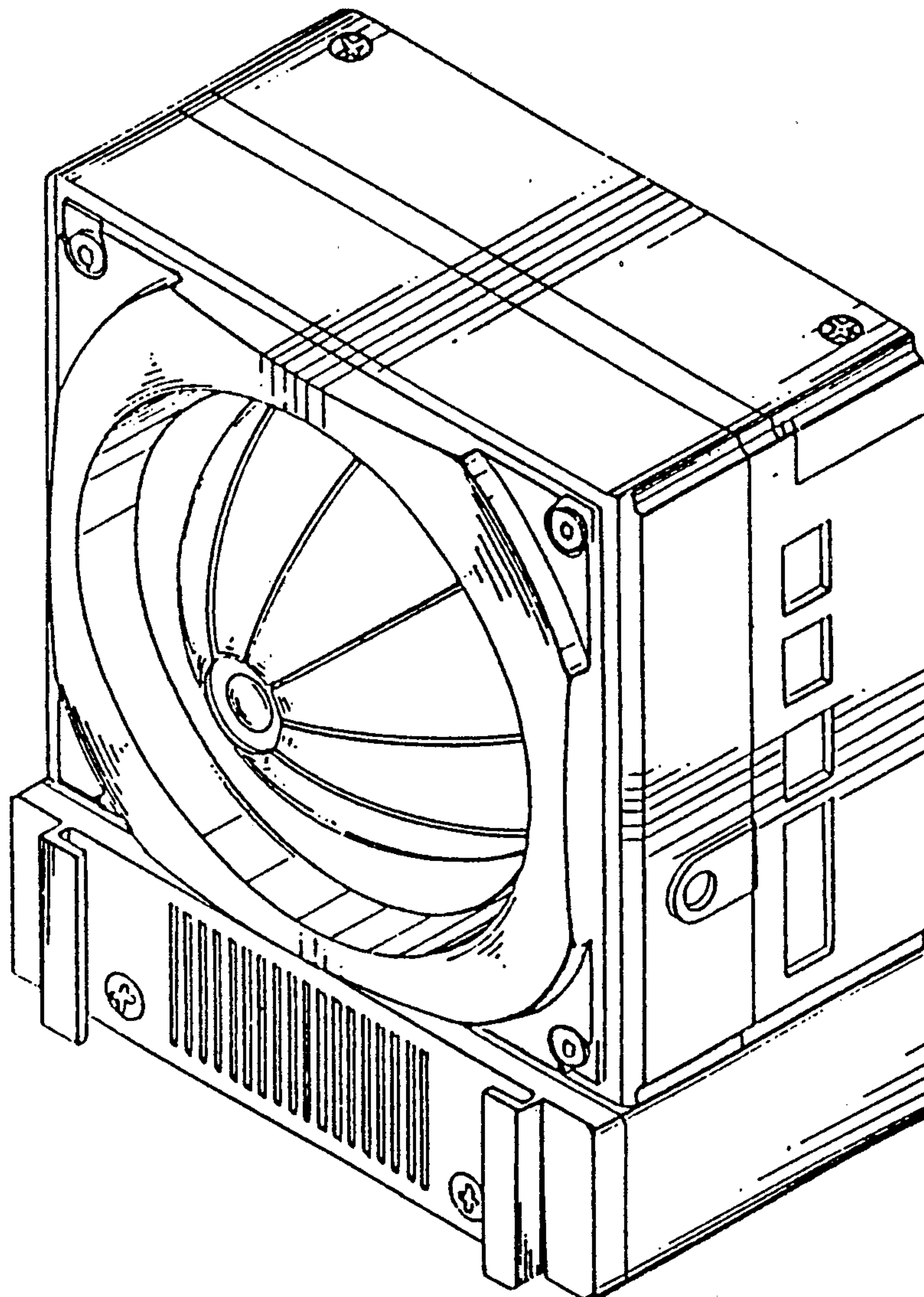
[54] **BURGLER ALARM FOR AN AUTOMOBILE**  
[75] **Inventor: Michael Chen, Taipei, Taiwan**  
[73] **Assignee: Equus, Inc., Taiwan**  
[\*\*] **Term: 14 Years**  
[21] **Appl. No.: 305,975**  
[22] **Filed: Feb. 3, 1989**  
[52] **U.S. Cl. .... D10/106; D10/120**  
[58] **Field of Search ..... D10/104, 106, 116, 121;  
340/63, 64, 65, 693**

[56] **References Cited**  
**U.S. PATENT DOCUMENTS**  
D. 294,808 3/1988 Zeigner ..... D10/106  
D. 309,440 7/1990 Arduini et al. .... D10/120

*Primary Examiner—Wallace R. Burke*  
*Assistant Examiner—Marcus Jackson*  
*Attorney, Agent, or Firm—Browdy and Neimark*

[57] **CLAIM**  
The ornamental design for a burglar alarm for an automobile, as shown and described.

**DESCRIPTION**  
FIG. 1 is the front elevational view of a burglar alarm for an automobile showing my new design; FIG. 2 is the rear elevational view thereof; FIG. 3 is the top plan view thereof; FIG. 4 is the bottom plan view thereof; FIG. 5 is the left side elevational view thereof; FIG. 6 is the right side elevational view thereof; FIG. 7 is the perspective view thereof.



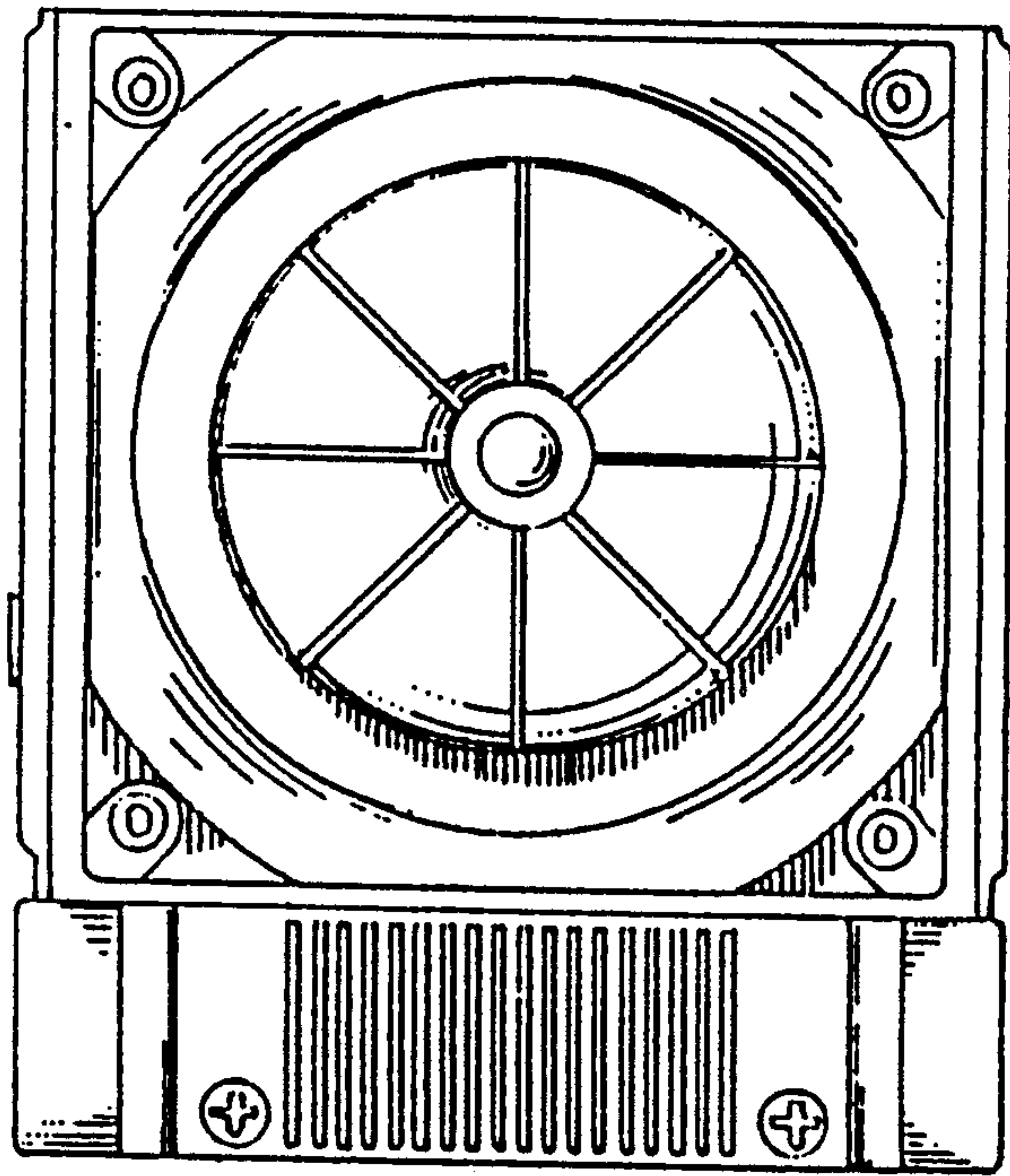


FIG. 1

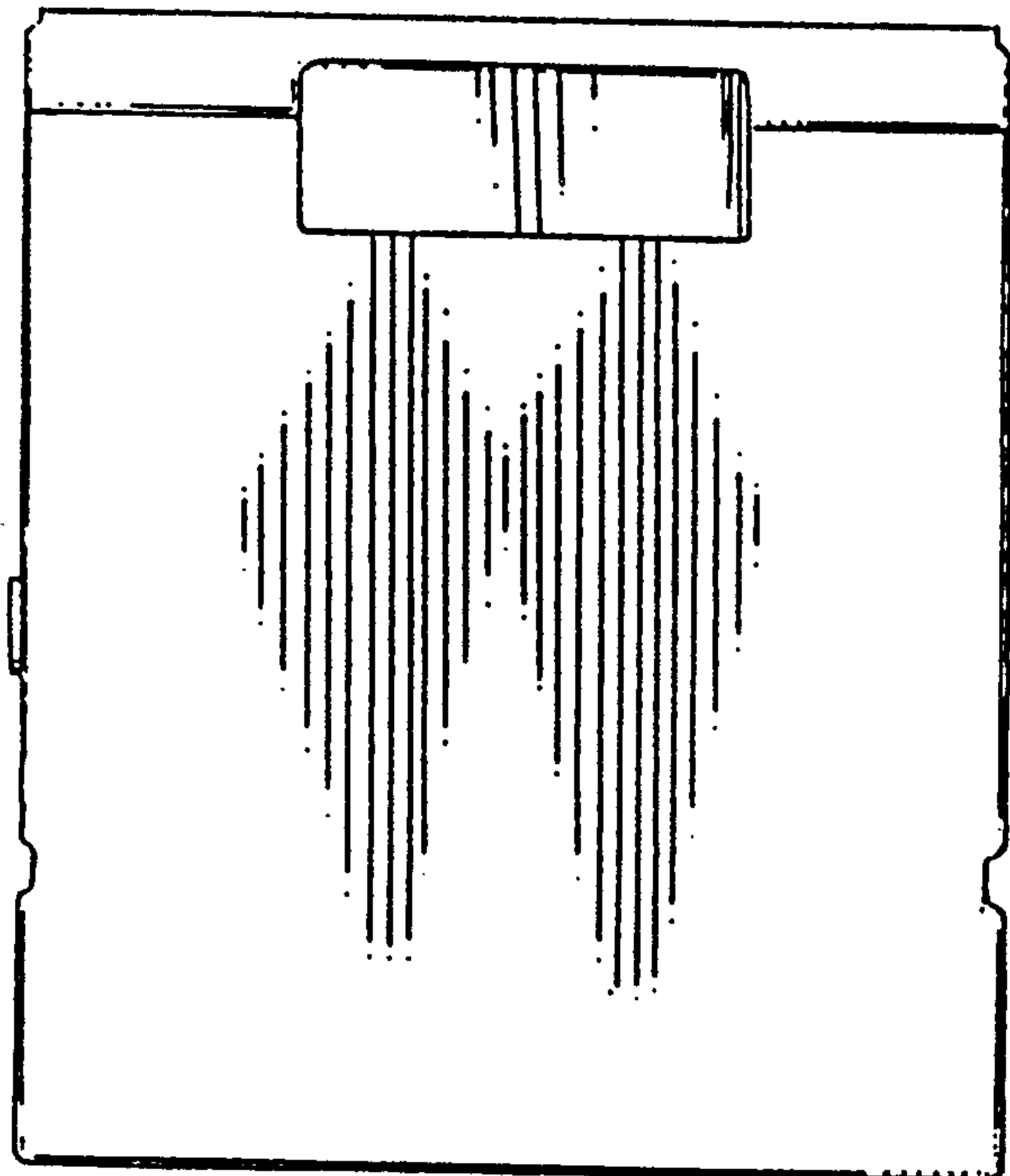


FIG. 2

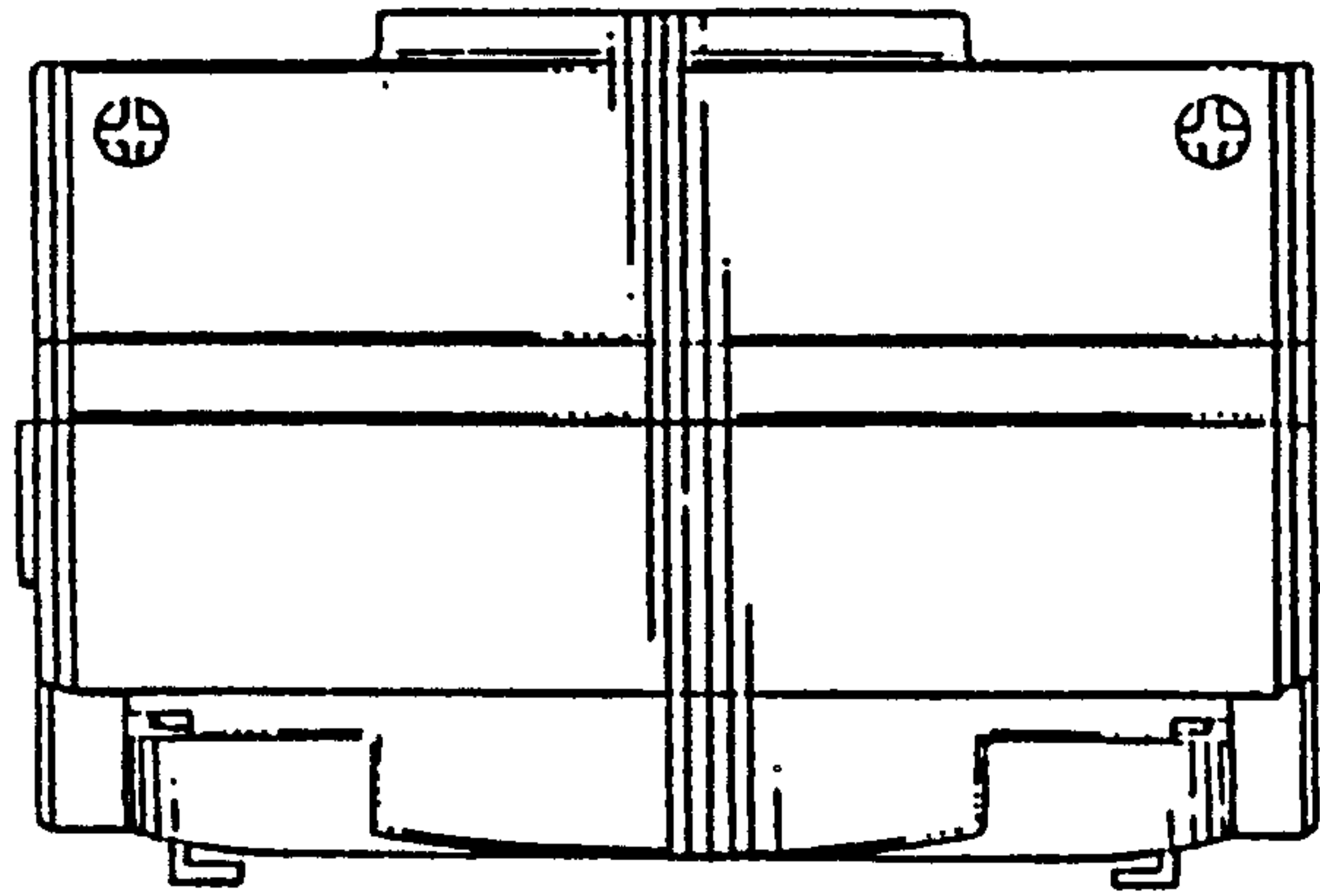


FIG. 3

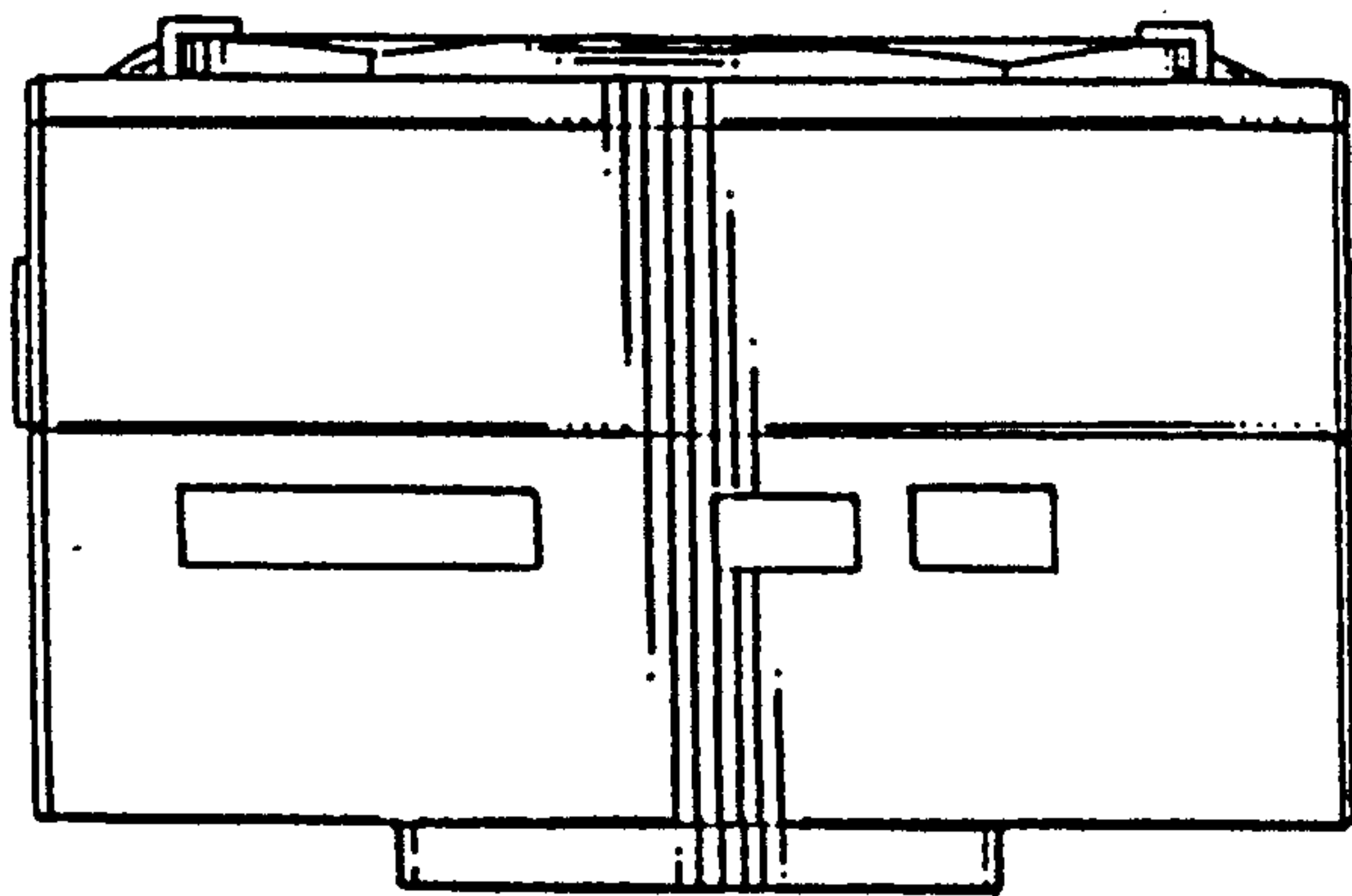


FIG. 4

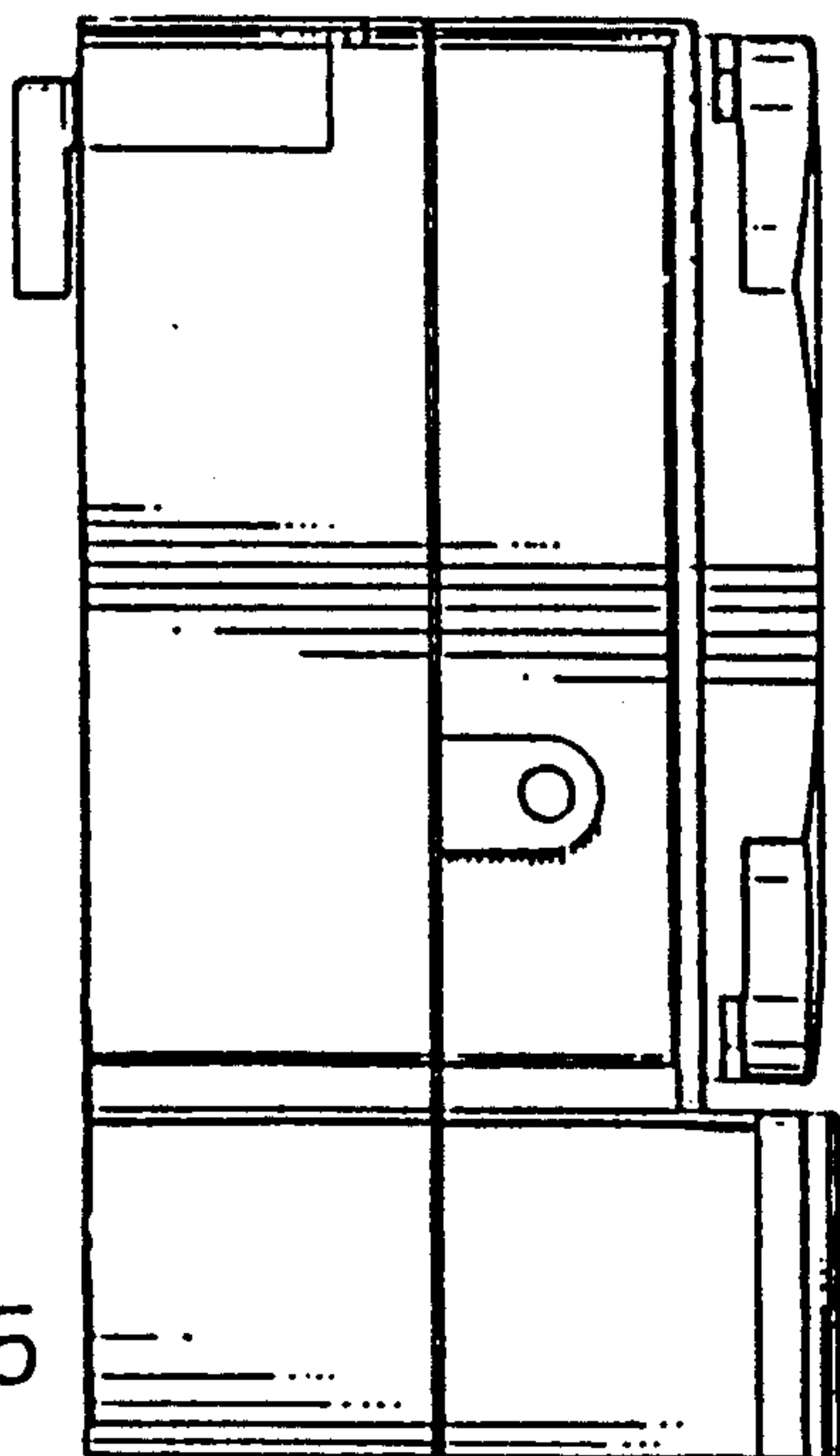


FIG. 5

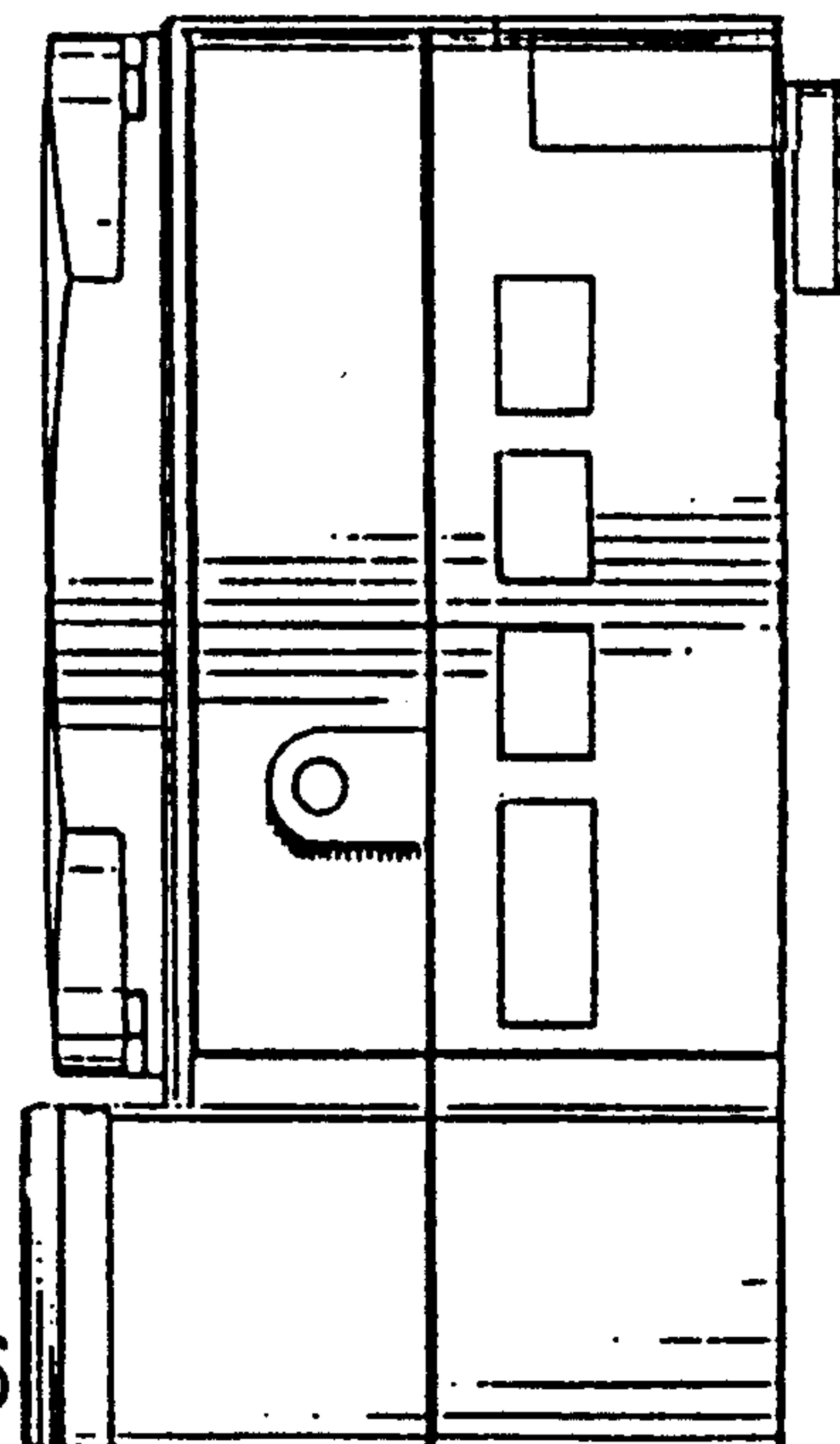


FIG. 6

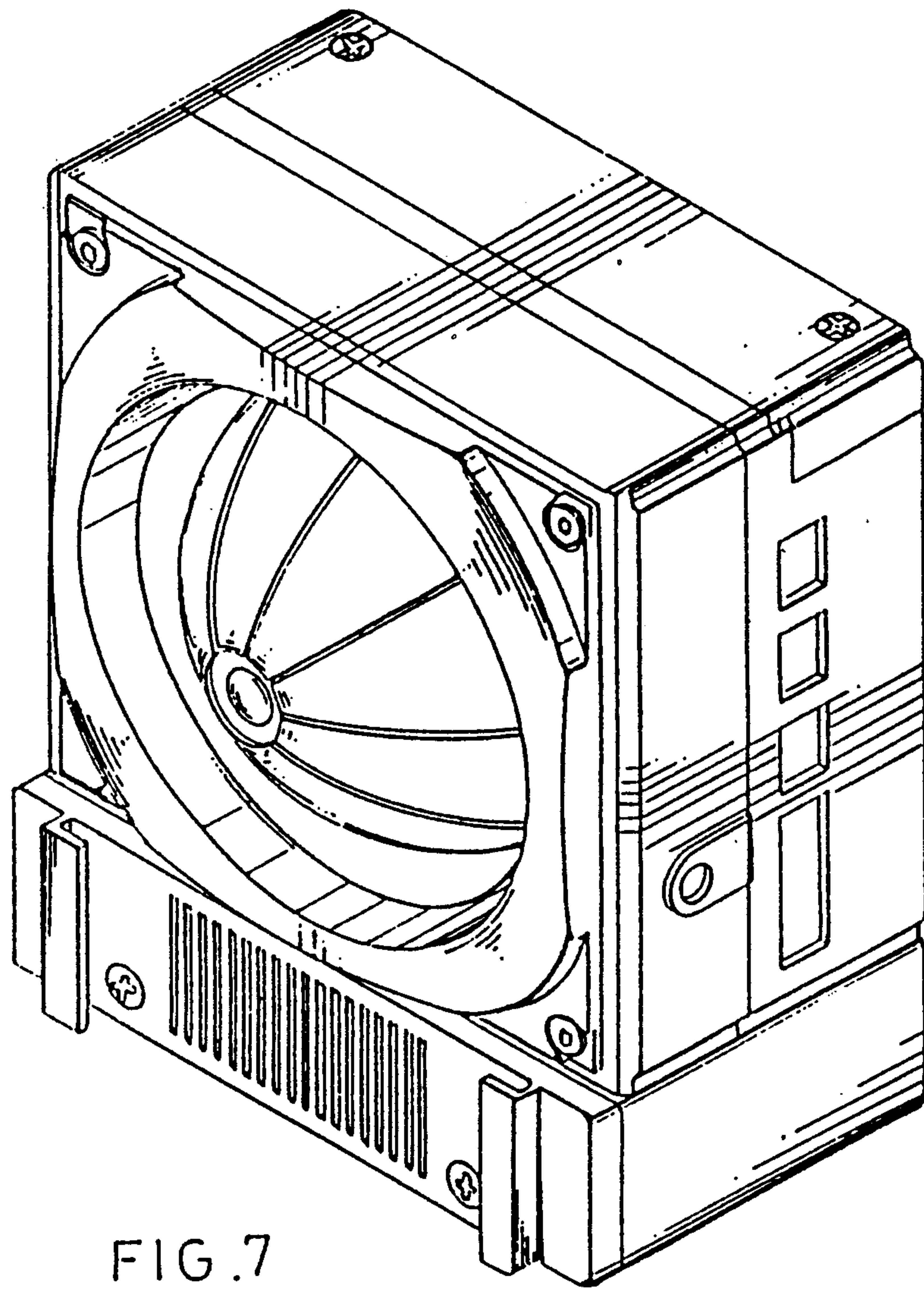


FIG. 7