

[54] **HEAT AND SMOKE DETECTOR**

[75] **Inventor: John Gardner, Fountain Valley, Calif.**

[73] **Assignee: Figgie International, Inc., Willoughby, Ohio**

[**] **Term: 14 Years**

[21] **Appl. No.: 274,429**

[22] **Filed: Nov. 21, 1988**

[52] **U.S. Cl. D10/106**

[58] **Field of Search D10/104, 106, 121; 340/540, 541, 542, 545, 546, 547, 552, 565, 566, 568, 576, 628, 629, 630, 632**

[56] **References Cited**

U.S. PATENT DOCUMENTS

D. 279,872 7/1985 Thornton, Jr. et al. D10/106

D. 293,089 12/1987 Lederer D10/106
D. 308,836 6/1990 Fenne D10/106
D. 308,947 7/1990 Downing D10/106
4,286,159 8/1981 Kitta et al. D10/106

Primary Examiner—Wallace R. Burke
Assistant Examiner—Marcus Jackson
Attorney, Agent, or Firm—Knobbe, Martens, Olson & Bear

[57] **CLAIM**

The ornamental design for a heat and smoke detector, as shown and described.

DESCRIPTION

FIG. 1 is a front perspective view of a heat and smoke detector showing my new design;
FIG. 2 is a rear perspective view thereof;
FIG. 3 is a front elevational view thereof;
FIG. 4 is a side elevational view thereof, with the opposite side being a mirror image.

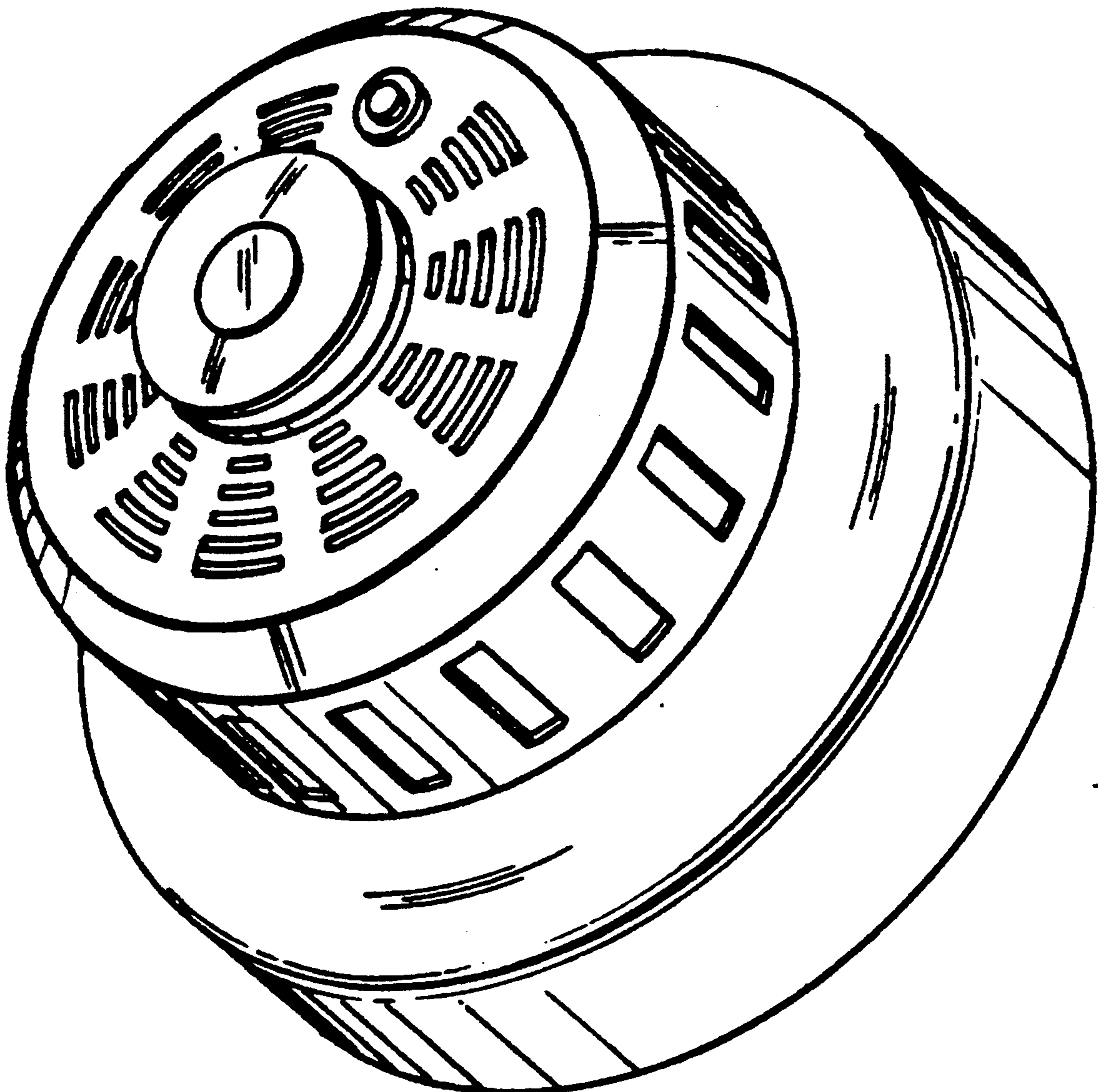


Fig. 1

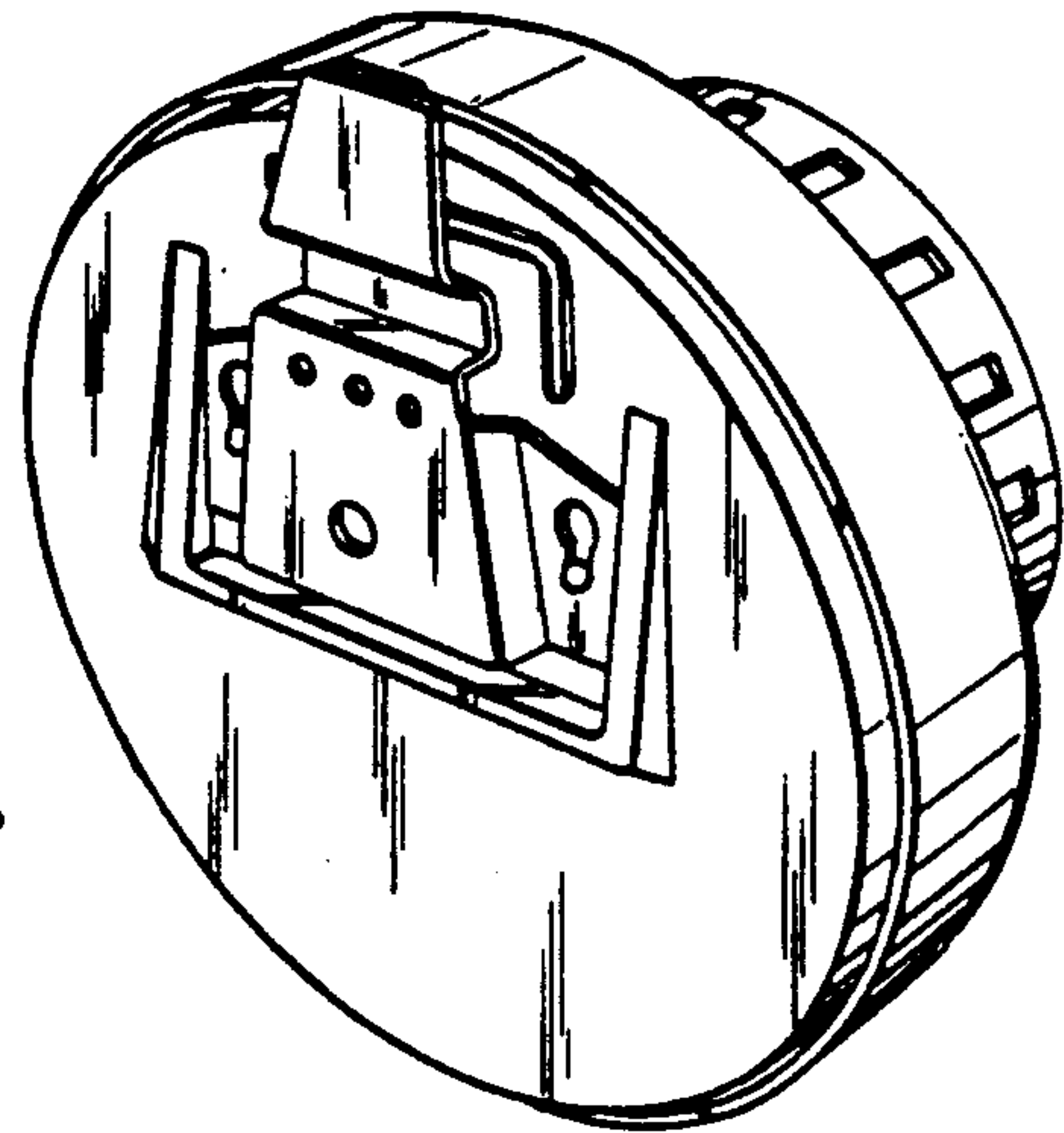
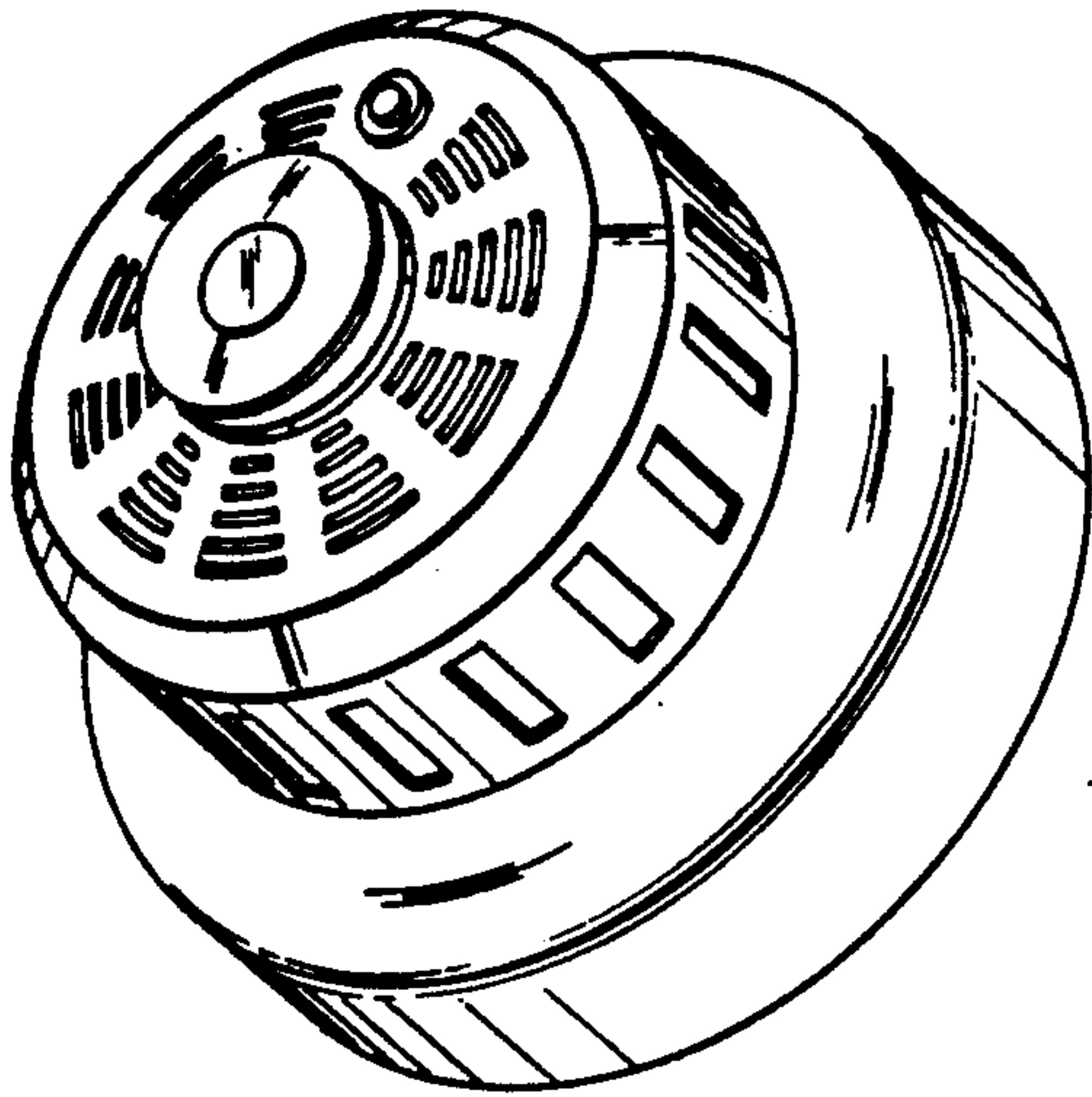


Fig. 2

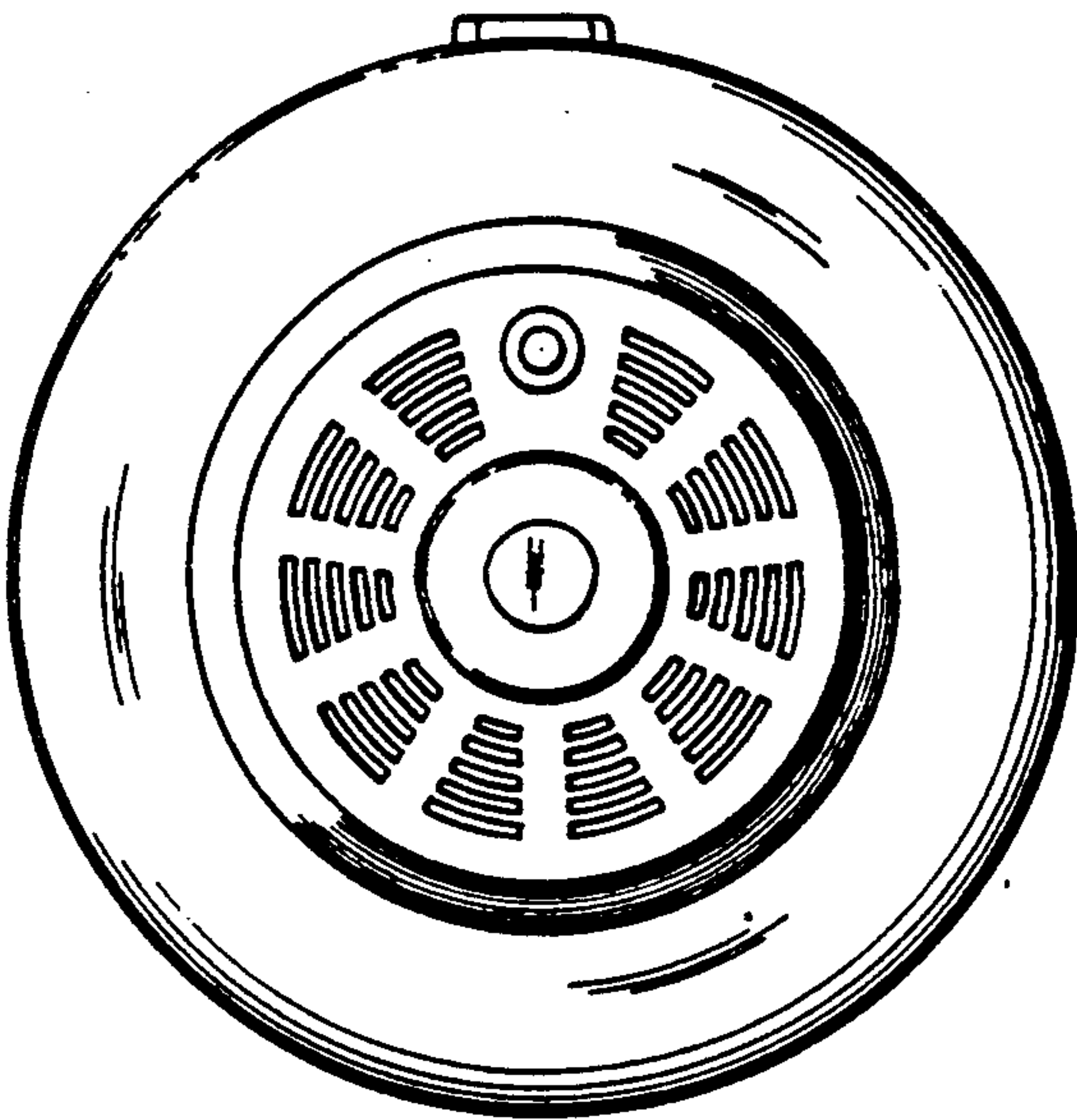


Fig. 3

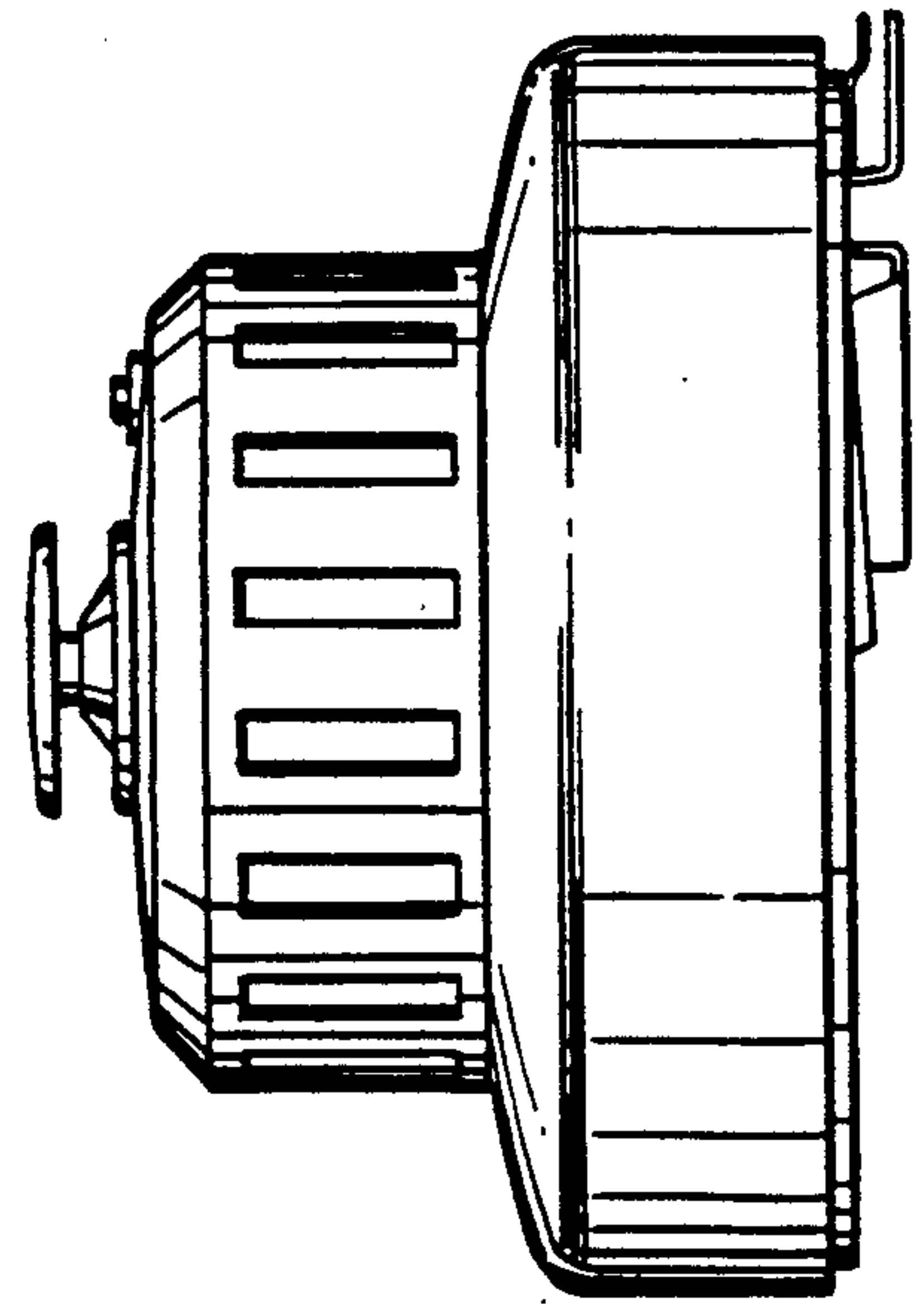


Fig. 4