

[54] PORTABLE SIGNALLING TRANSMITTER FOR DISABLED PERSONS

[76] Inventor: Bill McWilliams, 9155 Highway 101 North #16, Redwood Valley, Calif. 95470

[**] Term: 14 Years

[21] Appl. No.: 241,560

[22] Filed: Jul. 8, 1988

[52] U.S. Cl. D10/106

[58] Field of Search D10/106, 104, 121; 340/541, 311.1, 825.44, 825.45, 693, 825.6, 825.46, 825.47, 825.48, 825.49

[56] References Cited

U.S. PATENT DOCUMENTS

- D. 193,596 9/1962 Waltman D10/106
- D. 198,956 8/1964 Kress D10/111
- D. 223,926 6/1972 Kahn D10/106
- D. 224,785 9/1972 Dean, Jr. D10/106

- D. 225,905 1/1973 Lincoln D10/106
- D. 239,706 4/1976 Baileen D10/106
- D. 273,848 5/1984 Monahan D10/106
- 3,226,705 12/1965 Kaufman et al. 340/541
- 3,797,006 3/1974 Reininger 340/545

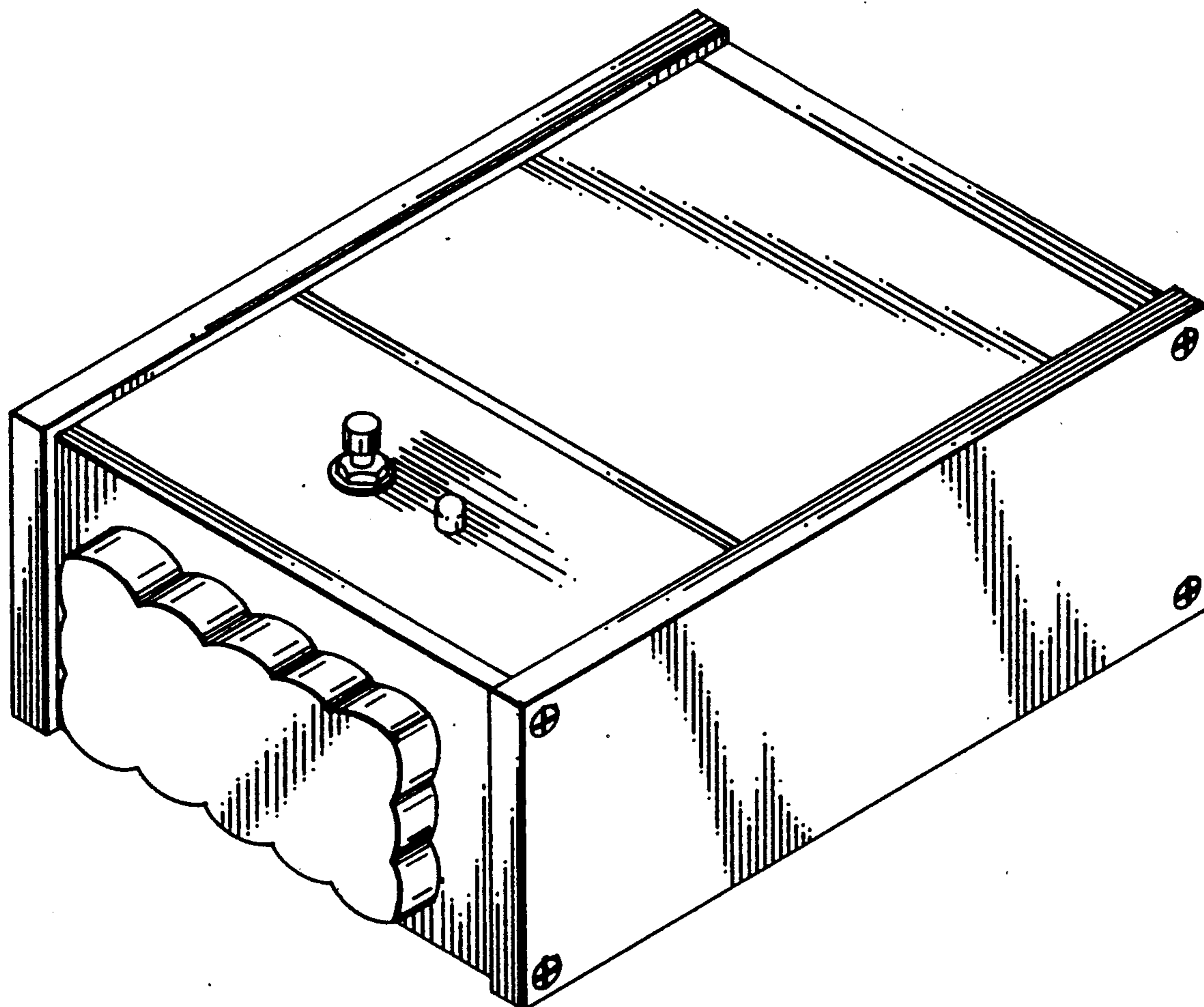
Primary Examiner—Wallace R. Burke
Assistant Examiner—Marcus Jackson
Attorney, Agent, or Firm—Leon Gilden

[57] CLAIM

The ornamental design for a portable signalling transmitter for disabled persons, as shown and described.

DESCRIPTION

FIG. 1 is a top plan view of a portable signalling transmitter for disabled persons showing my new design; FIG. 2 is a bottom plan view thereof; FIG. 3 is a front elevational view thereof; FIG. 4 is a rear elevational view thereof; FIG. 5 is a right side elevational view thereof; FIG. 6 is a left side elevational view thereof; FIG. 7 is a top perspective view thereof.



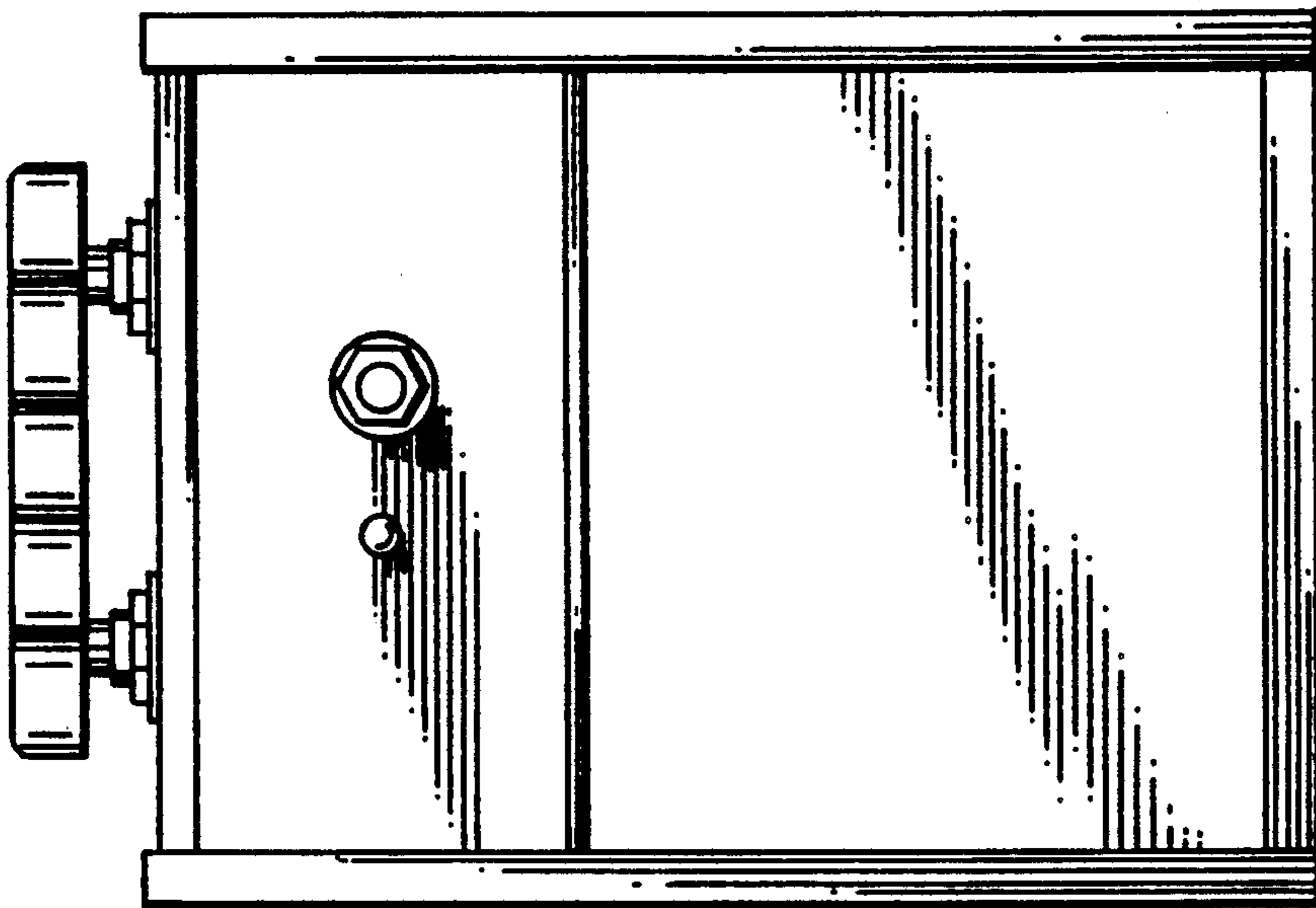


Fig. 1

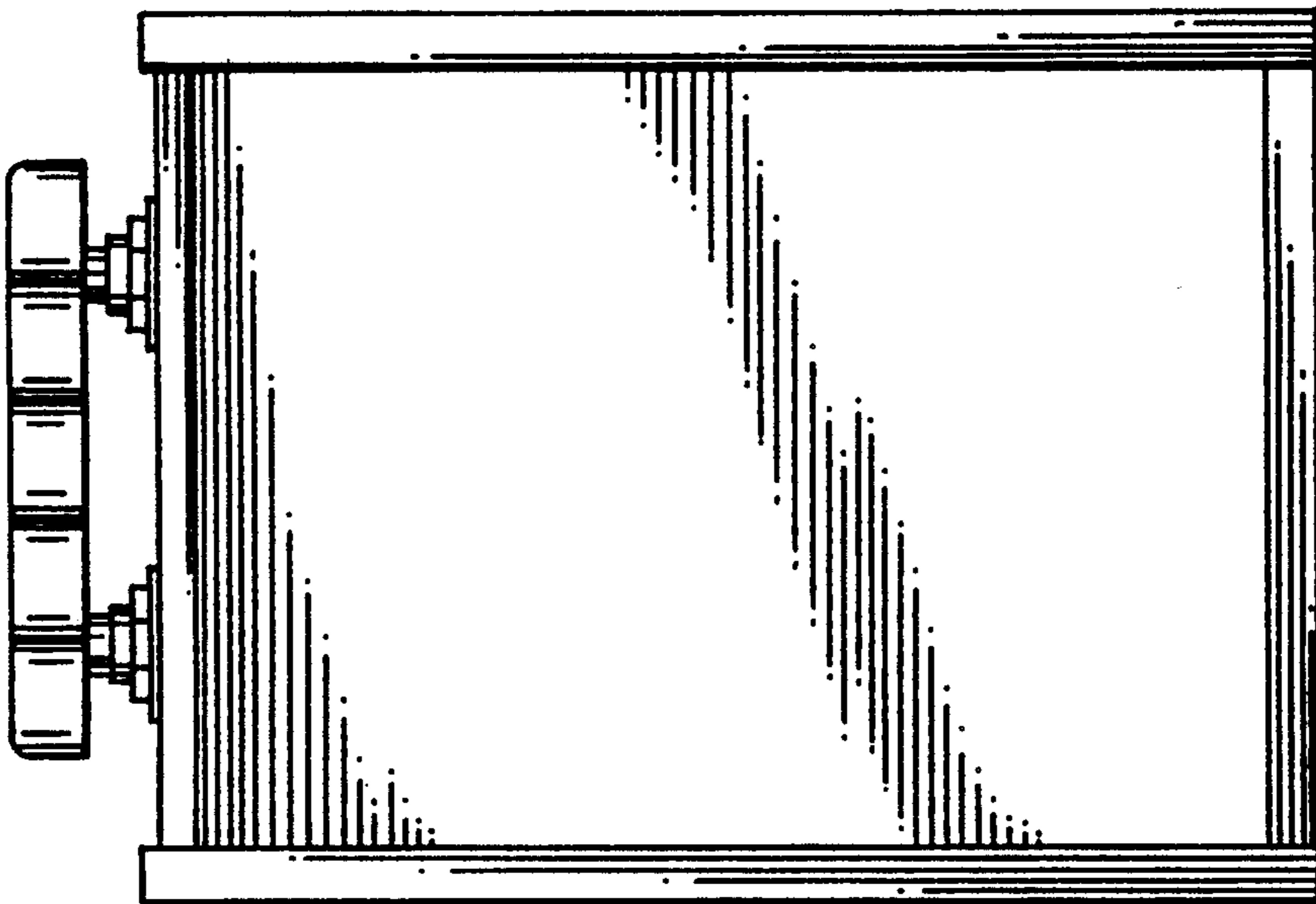
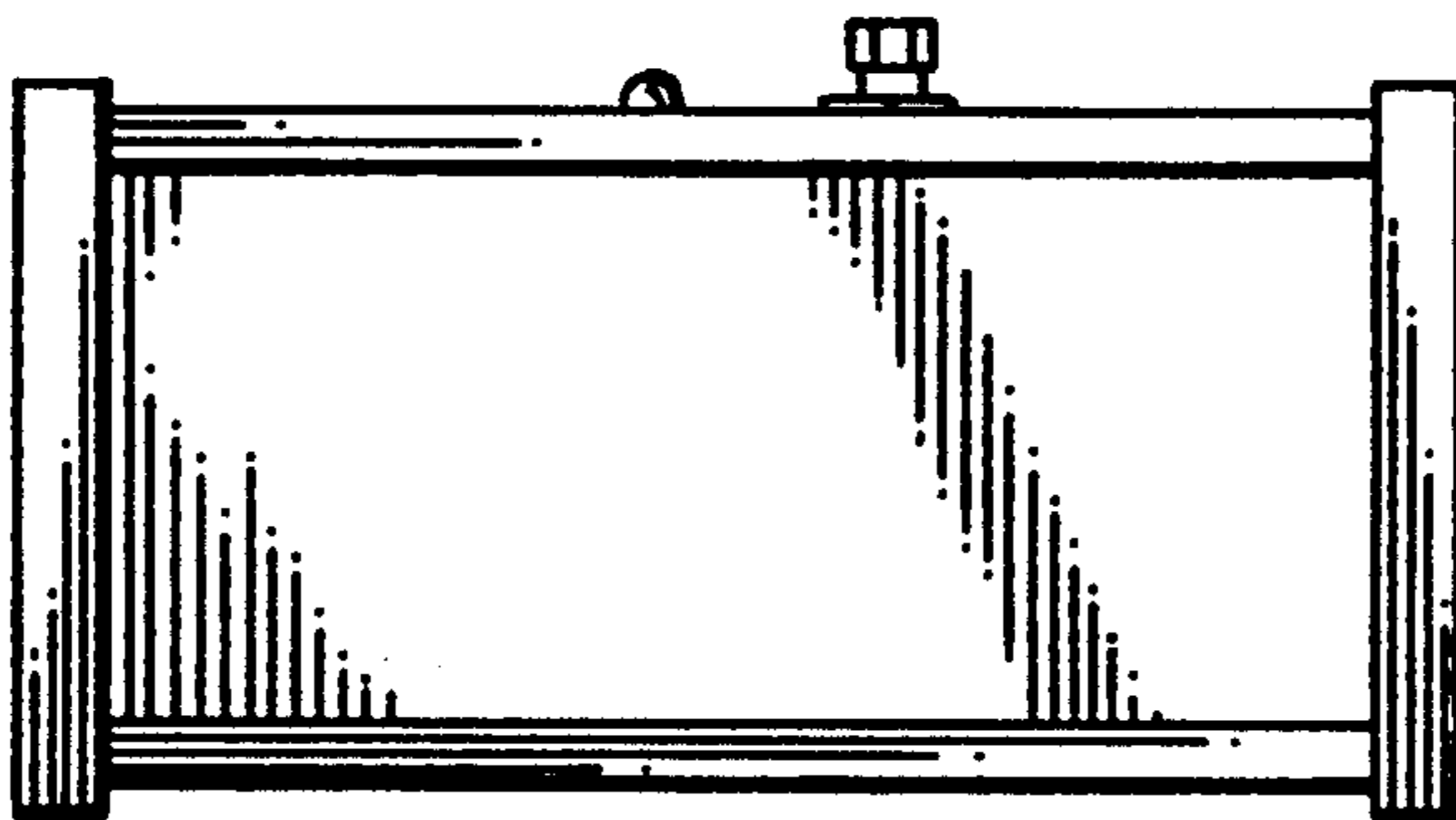
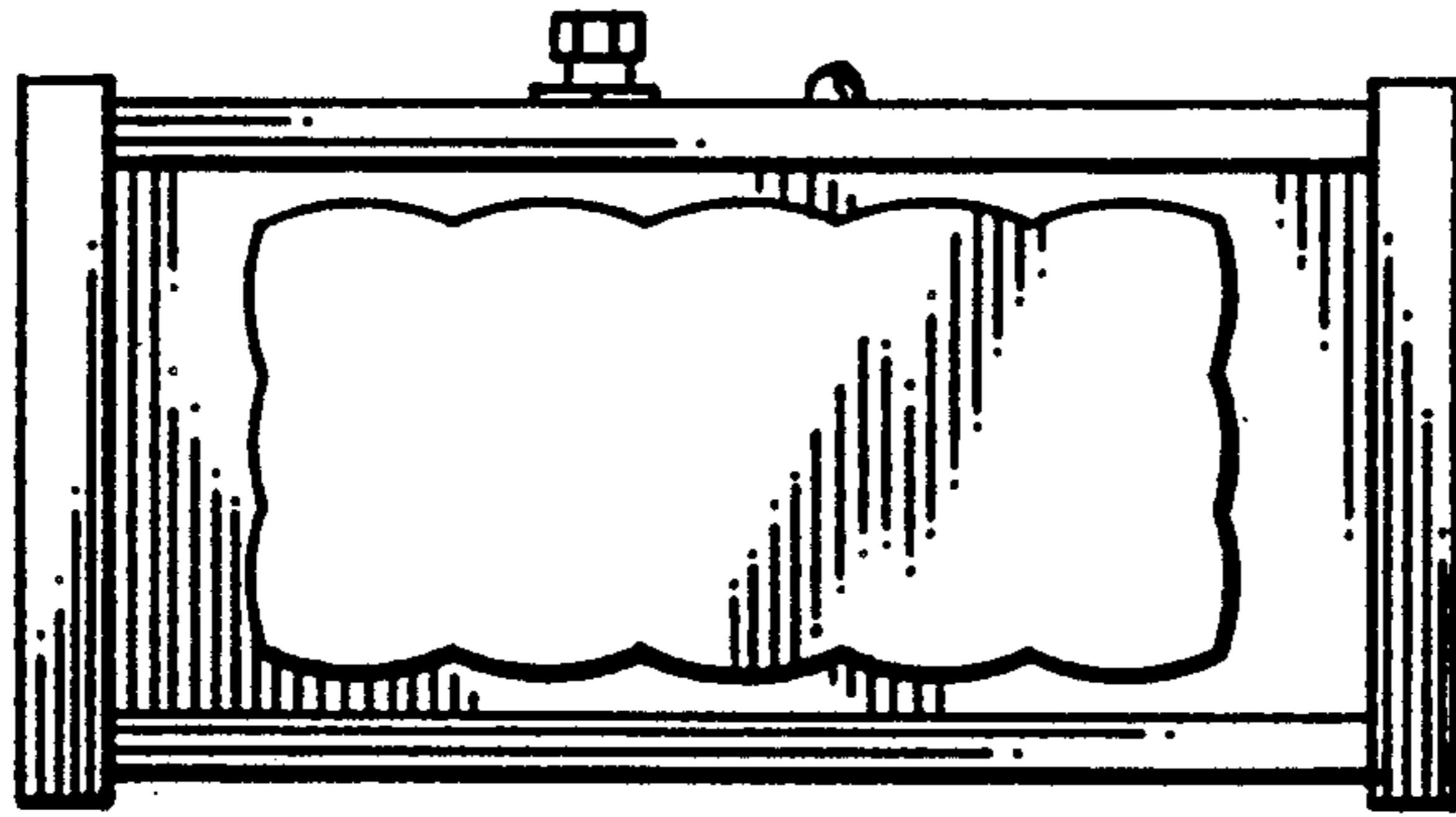


Fig. 2



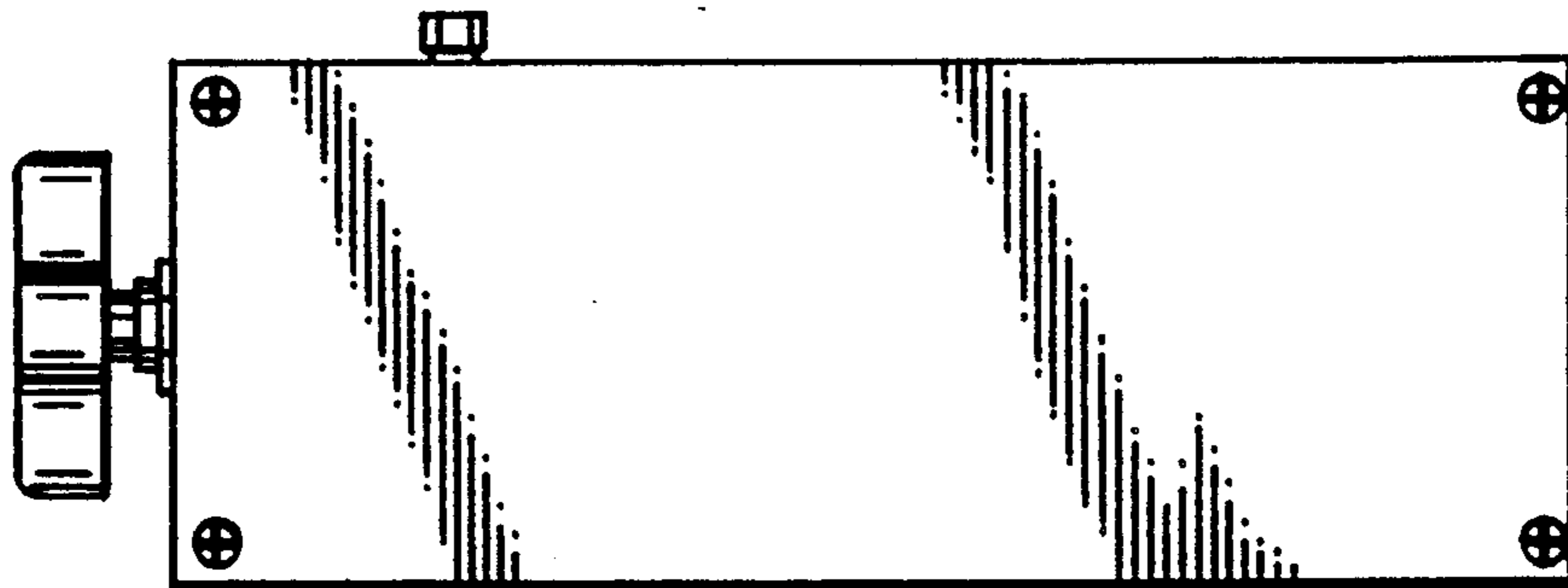


Fig 5

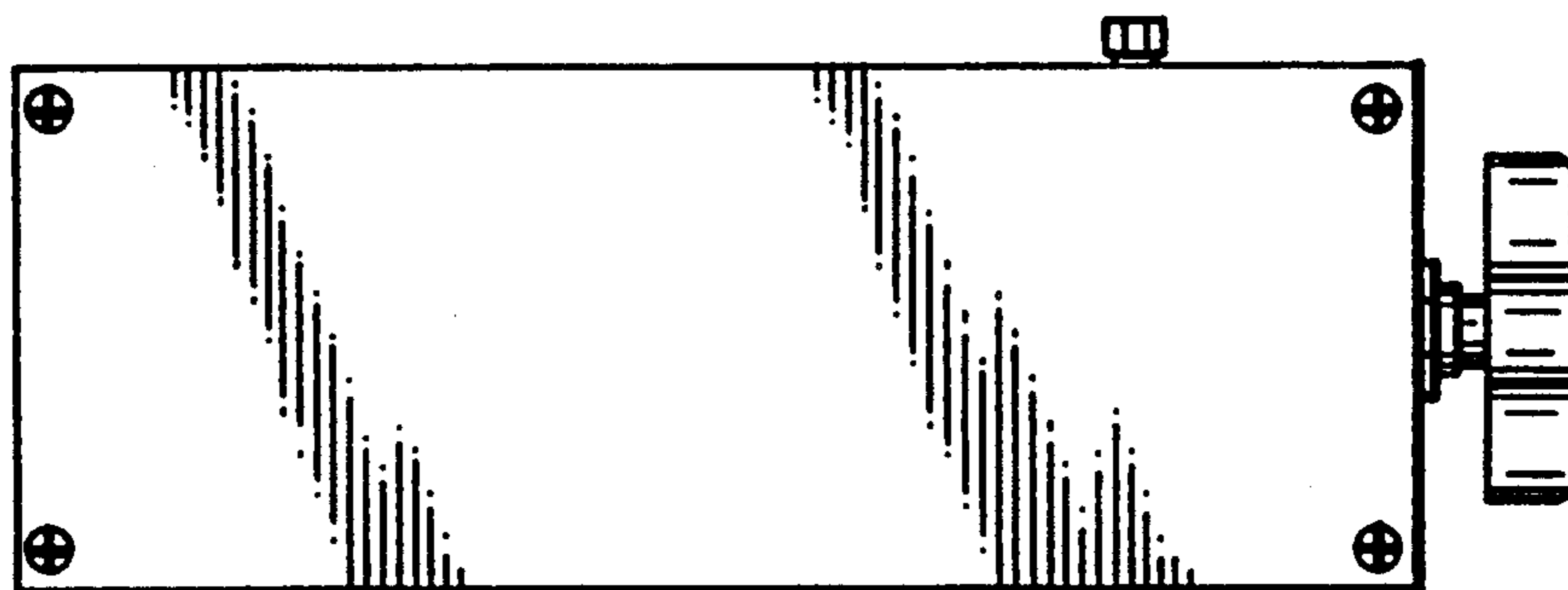


Fig 6

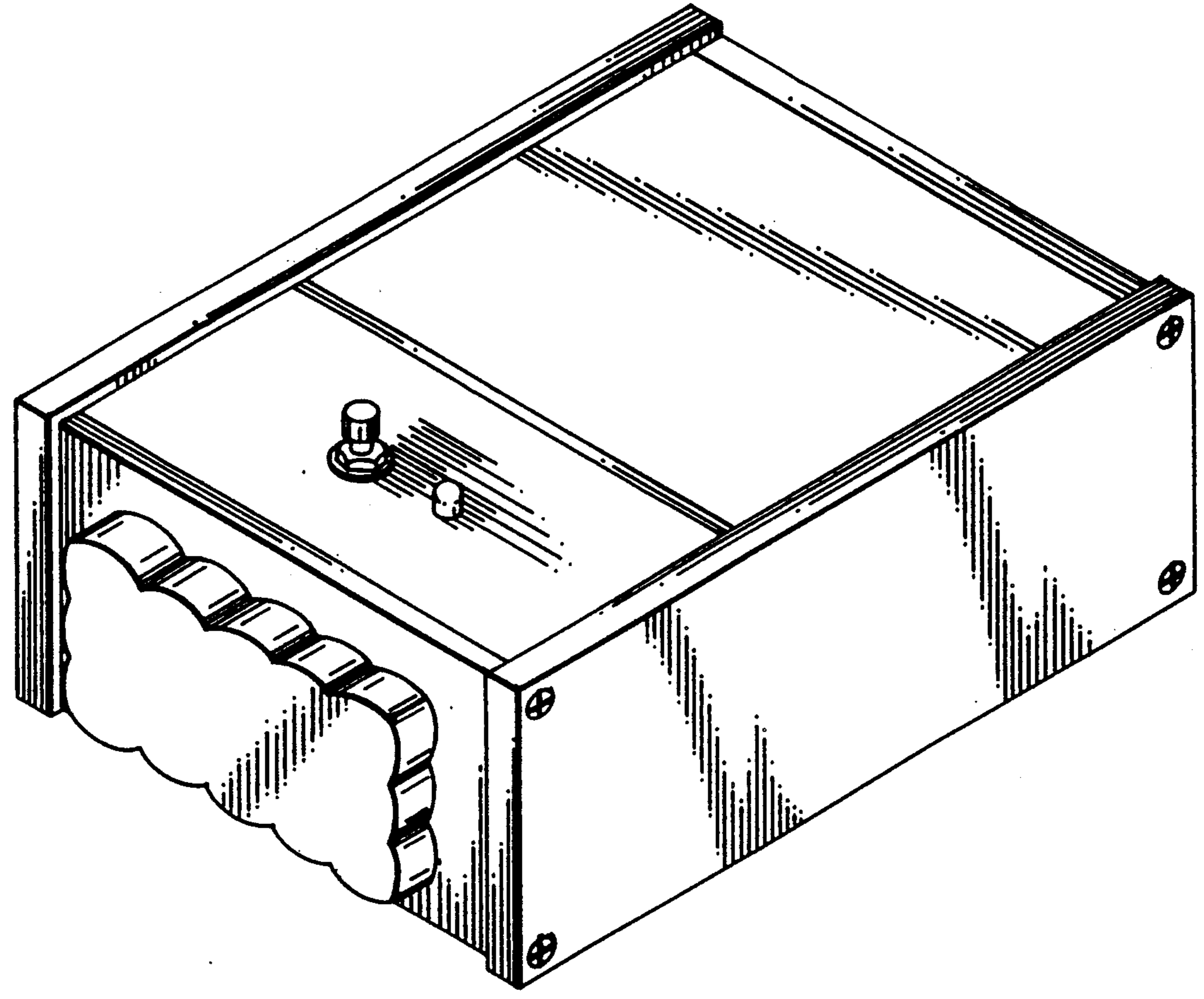


FIG. 1