

[54] **MEASUREMENT SYSTEM DISPLAY MODULE**

[75] **Inventors: Barry D. Wixey; Raymond L. Wilson, both of Pittsburgh, Pa.**

[73] **Assignee: Delta International Machinery Corp., Pittsburgh, Pa.**

[**] **Term: 14 Years**

[21] **Appl. No.: 233,491**

[22] **Filed: Aug. 19, 1988**

[52] **U.S. Cl. D10/74; D14/113**

[58] **Field of Search D10/61, 70, 71, 72, D10/74; D14/100, 106, 113; 33/1 M, 503, 504, 505, 501.6, 700, 701, 706, 707, 708, 709, 710, 784, 819, DIG. 1; 235/92 DN, 92 PE, 92 EV, 92 ZP; 364/561, 562, 560, 580, 705, 709; 377/19, 20, 24, 24.1, 24.2**

4,181,959	1/1980	Tateishi	377/24 X
4,181,960	1/1980	Tateishi et al.	377/24 X
4,195,348	3/1980	Kakutani	377/24 X
4,213,035	7/1980	Washizuka et al.	377/24 X
4,229,883	10/1980	Kobashi .	
4,242,574	12/1980	Grant	377/24 X
4,272,821	6/1981	Bradus .	
4,551,847	11/1985	Caldwell	377/24 X
4,578,868	4/1986	Sasaki et al.	33/706 X
4,600,184	7/1986	Ashworth .	
4,612,656	9/1986	Suzuki et al. .	
4,641,557	2/1987	Steiner et al. .	
4,677,755	7/1987	Iwano et al. .	
4,694,275	9/1987	Cox .	
4,736,313	4/1988	Nishimura et al.	33/819 X
4,845,646	7/1989	Marquis et al.	33/819 X

Primary Examiner—Nelson C. Holtje
Assistant Examiner—Antoine D. Davis
Attorney, Agent, or Firm—Merchant, Gould, Smith, Edell, Welter & Schmidt

[56] **References Cited**
U.S. PATENT DOCUMENTS

D. 233,493	11/1974	Luttmer et al. .	
D. 233,494	11/1974	Luttmer et al. .	
D. 233,495	11/1974	Luttmer et al. .	
D. 233,496	11/1974	Luttmer et al. .	
D. 233,497	11/1974	Luttmer et al. .	
D. 233,498	11/1974	Luttmer et al. .	
D. 233,499	11/1974	Luttmer et al. .	
D. 257,009	9/1980	Sibukawa et al. .	
D. 257,012	9/1980	Sibukawa et al. .	
D. 280,301	8/1985	Nashina et al. .	
D. 283,515	4/1986	Li	D10/71 X
D. 287,593	1/1987	Perissinotto	D14/106 X
D. 289,760	5/1987	Rummel	D14/100
3,622,760	11/1971	Chumley .	
3,626,159	12/1971	Chumley .	
4,181,848	1/1980	Iwase	377/24 X

[57] **CLAIM**

The ornamental design for a measurement system display module, as shown and described.

DESCRIPTION

FIG. 1 is a top, front, and right side perspective view of a measurement system display module showing our new design;
 FIG. 2 is a front elevational view;
 FIG. 3 is a top plan view;
 FIG. 4 is a bottom plan view;
 FIG. 5 is a right side elevational view;
 FIG. 6 is a left side elevational view; and
 FIG. 7 is another top, front, and right side perspective view thereof. The broken line showing of guide rails are environmental only and forms no part of the claimed design.

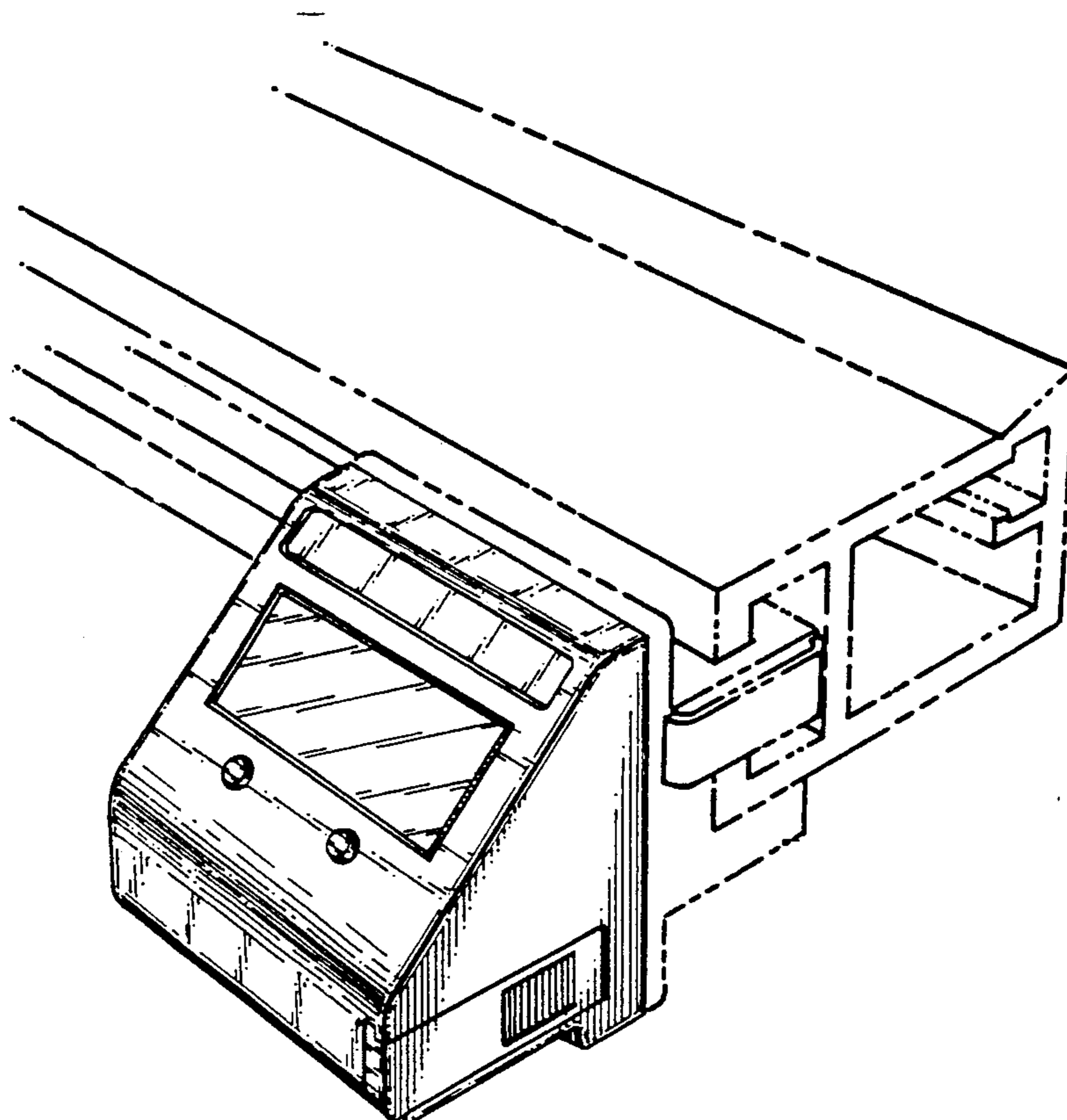


FIG. 1

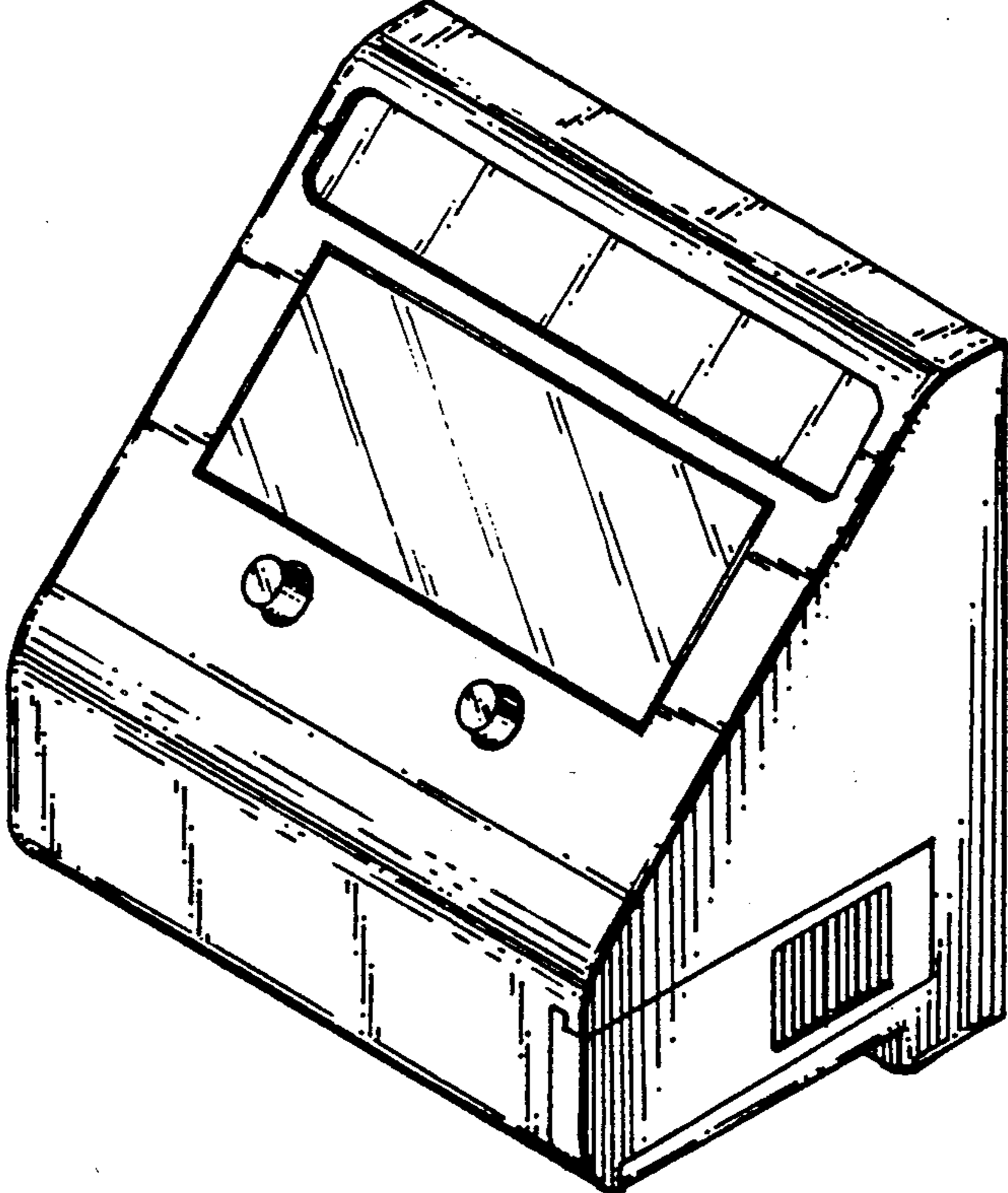


FIG. 2

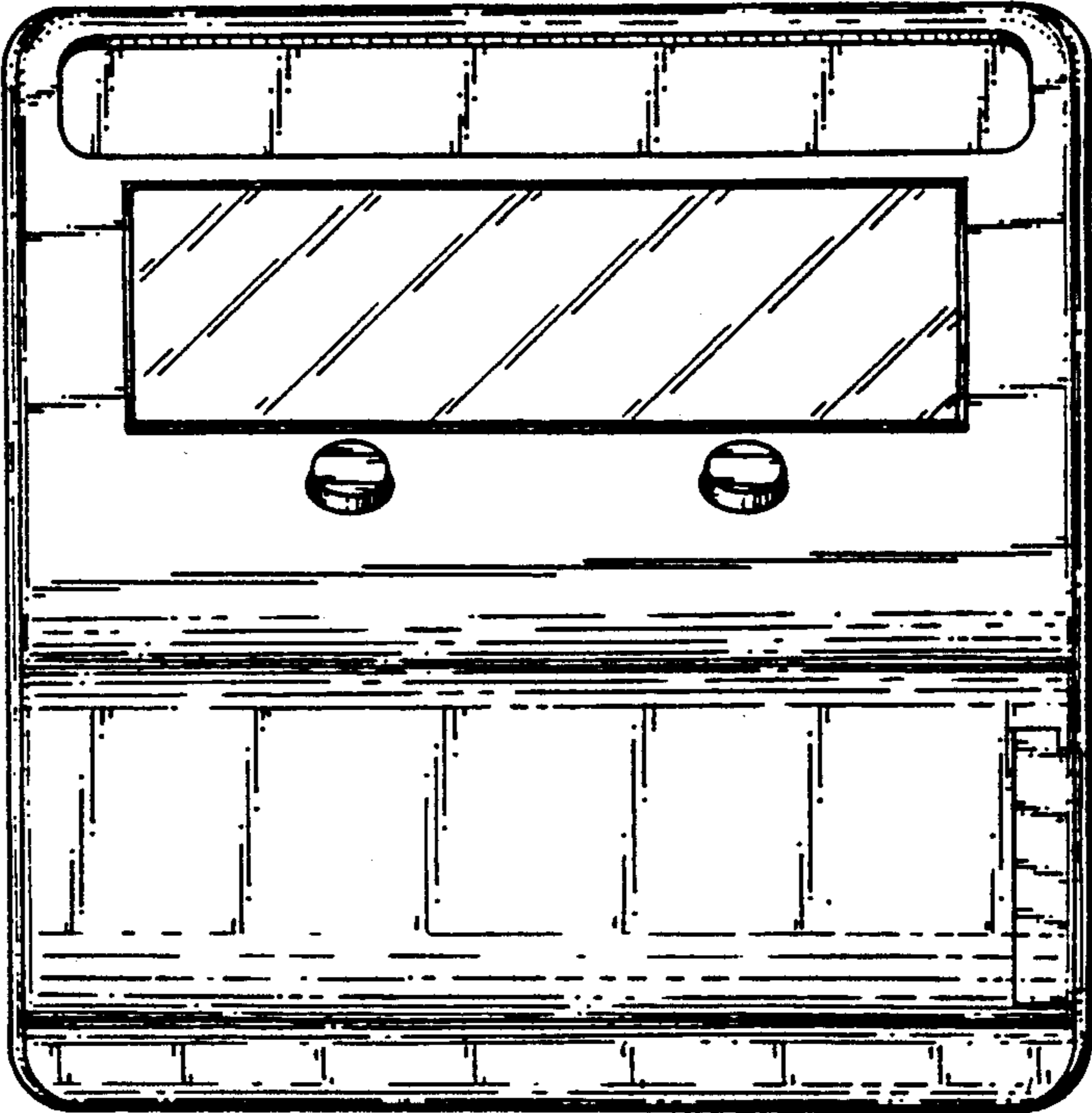


FIG. 3

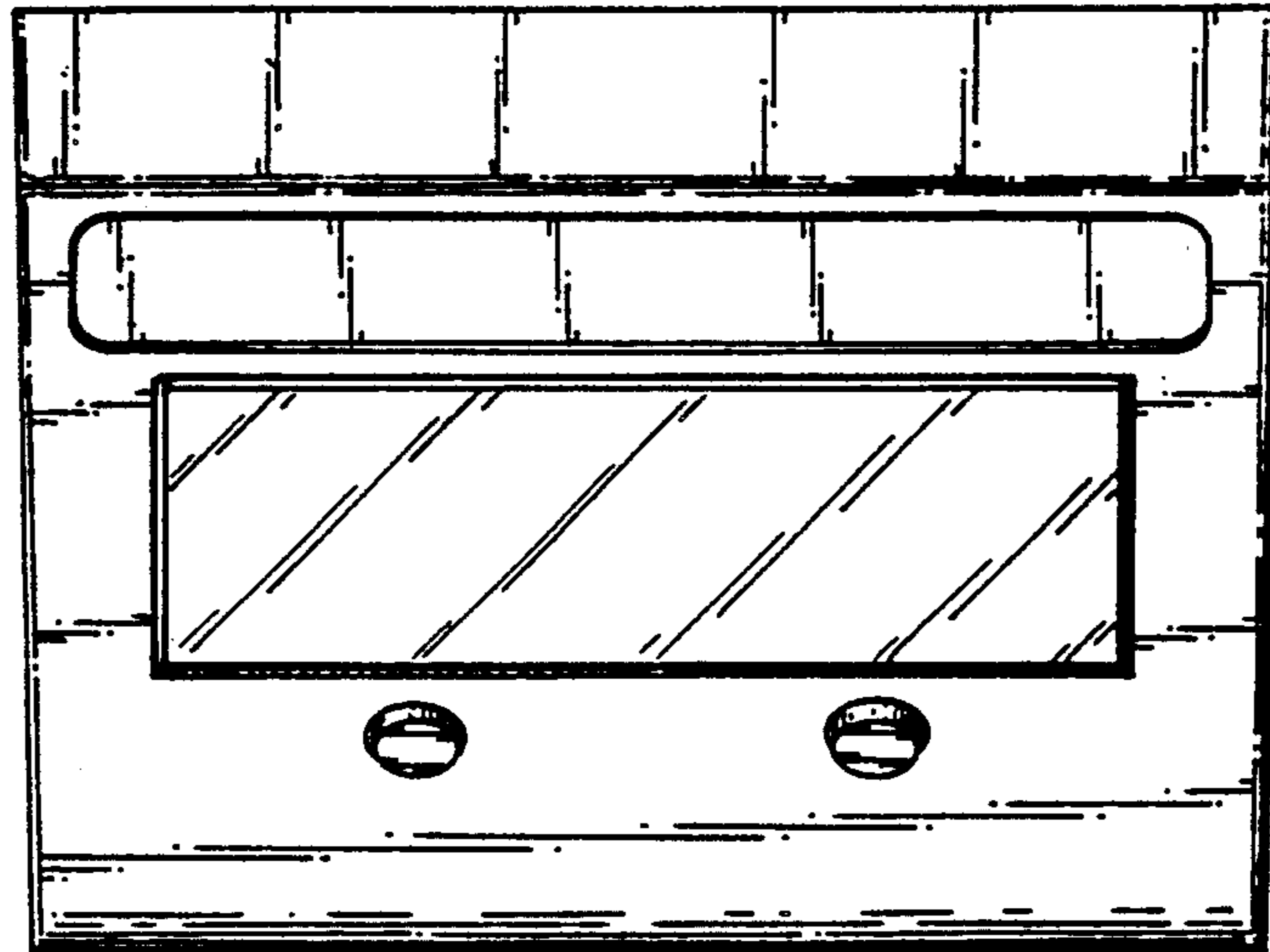


FIG. 4

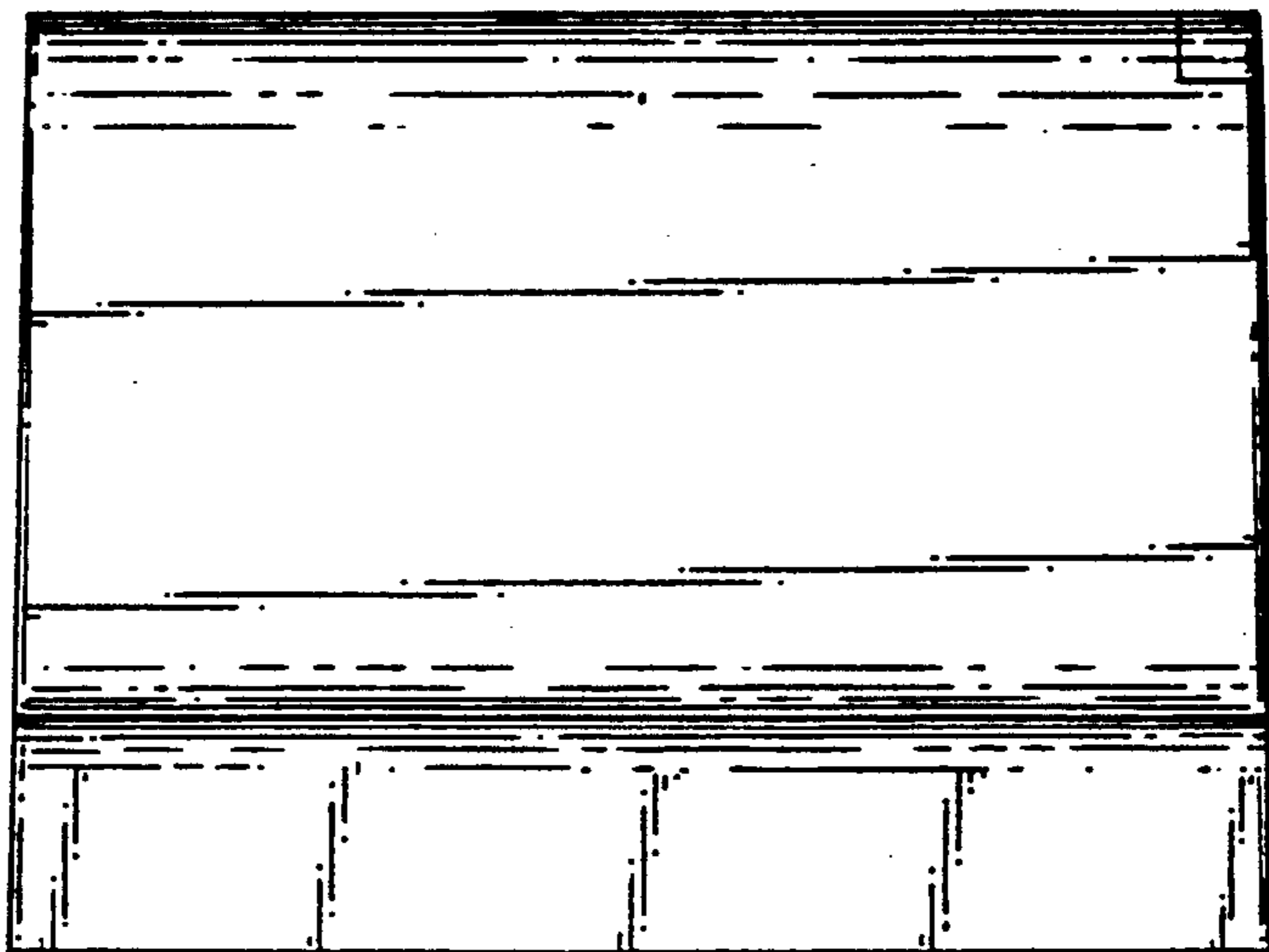


FIG. 5

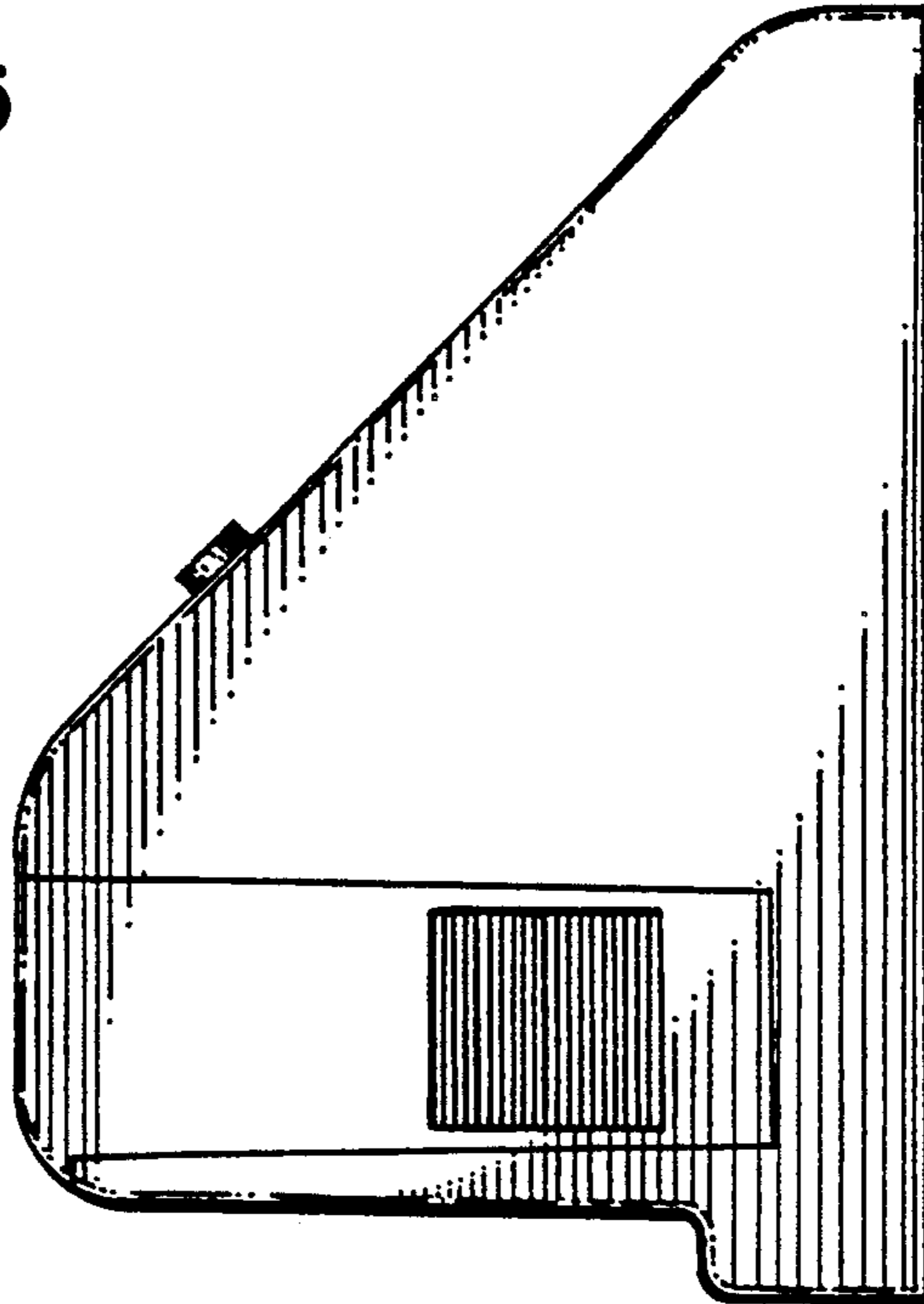


FIG. 6

