

United States Patent [19]

Kunz

[11] Patent Number: Des. 314,712

[45] Date of Patent: ** Feb. 19, 1991

[54] T-SQUARE WITH CENTERING RULER

[76] Inventor: Perry L. Kunz, 1416 Steele Ave., Modesto, Calif. 95351

[**] Term: 14 Years

[21] Appl. No.: 224,082

[22] Filed: Jul. 25, 1988

[52] U.S. Cl. D10/62; D10/65

[58] Field of Search D10/61, 62, 65, 69, D10/70, 71; D19/37, 45; 33/419, 427, 428, 429, 430, 431, 432, 433, 434, 437, 452, 454, 464, 470, 474, 479, 480, 481, 484, 493, 494

[56] References Cited

U.S. PATENT DOCUMENTS

D. 199,807 12/1964 Wilson D10/71
D. 255,784 7/1980 Seely, Jr. D10/71
D. 282,828 3/1986 Holder D10/62
1,107,432 8/1914 Mantz D10/65 X
1,298,995 4/1919 Michalovitz 33/464 X

2,238,581 4/1941 De Lisle D10/65 X
4,825,559 5/1989 Santos 33/430 X

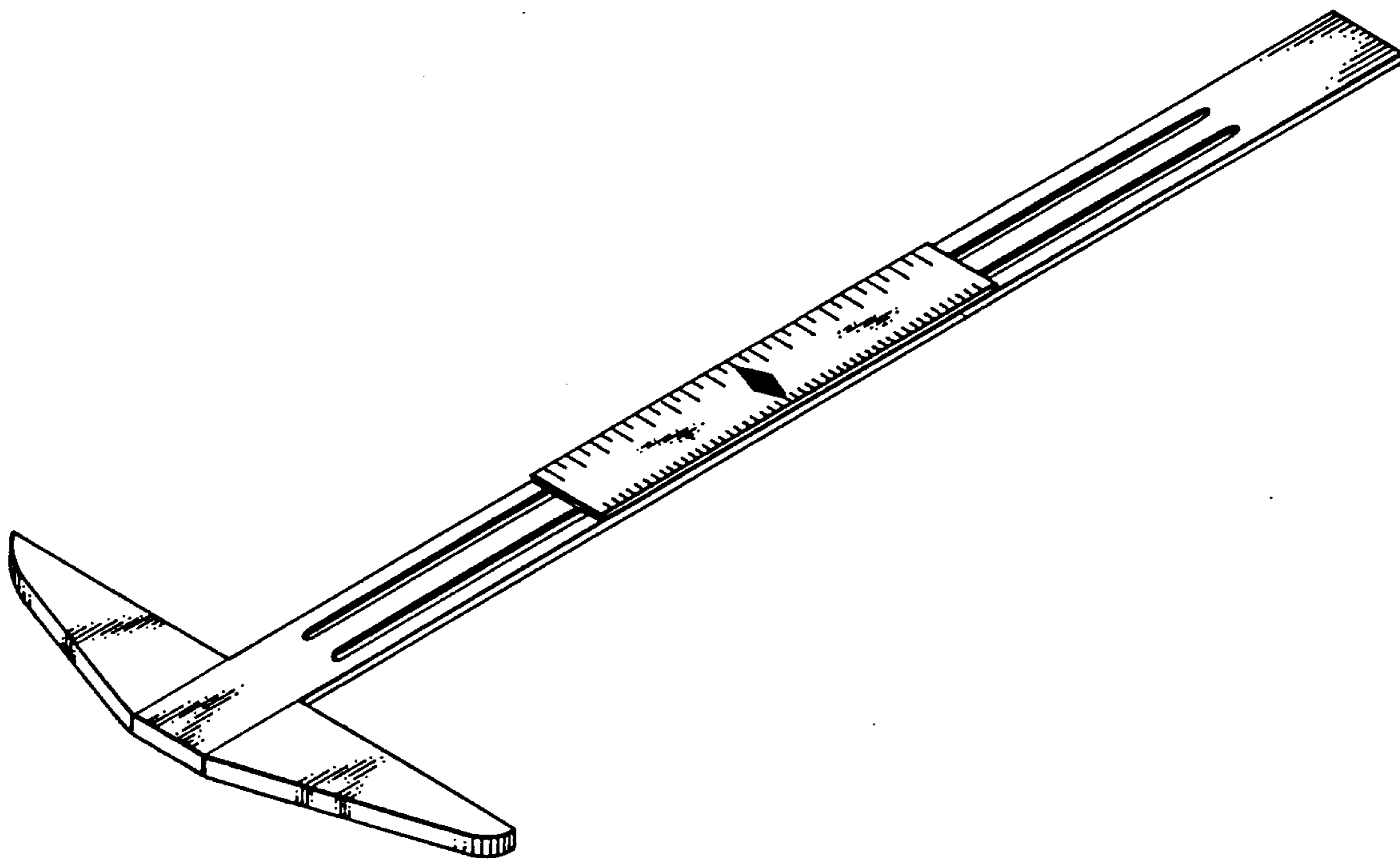
Primary Examiner—Nelson C. Holtje
Assistant Examiner—Antoine D. Davis
Attorney, Agent, or Firm—Lothrop & West

[57] CLAIM

The ornamental design for a T-square with centering ruler, as shown and described.

DESCRIPTION

FIG. 1 is a top, front, and right side perspective view of a t-square with centering ruler showing my new design; FIG. 2 is a top plan view; FIG. 3 is a bottom plan view; FIG. 4 is a right side elevational view, the left side elevational view being a mirror image; FIG. 5 is a front elevational view; FIG. 6 is a rear elevational view; and FIG. 7 is a top plan view, showing the centering ruler in an alternate position thereof.



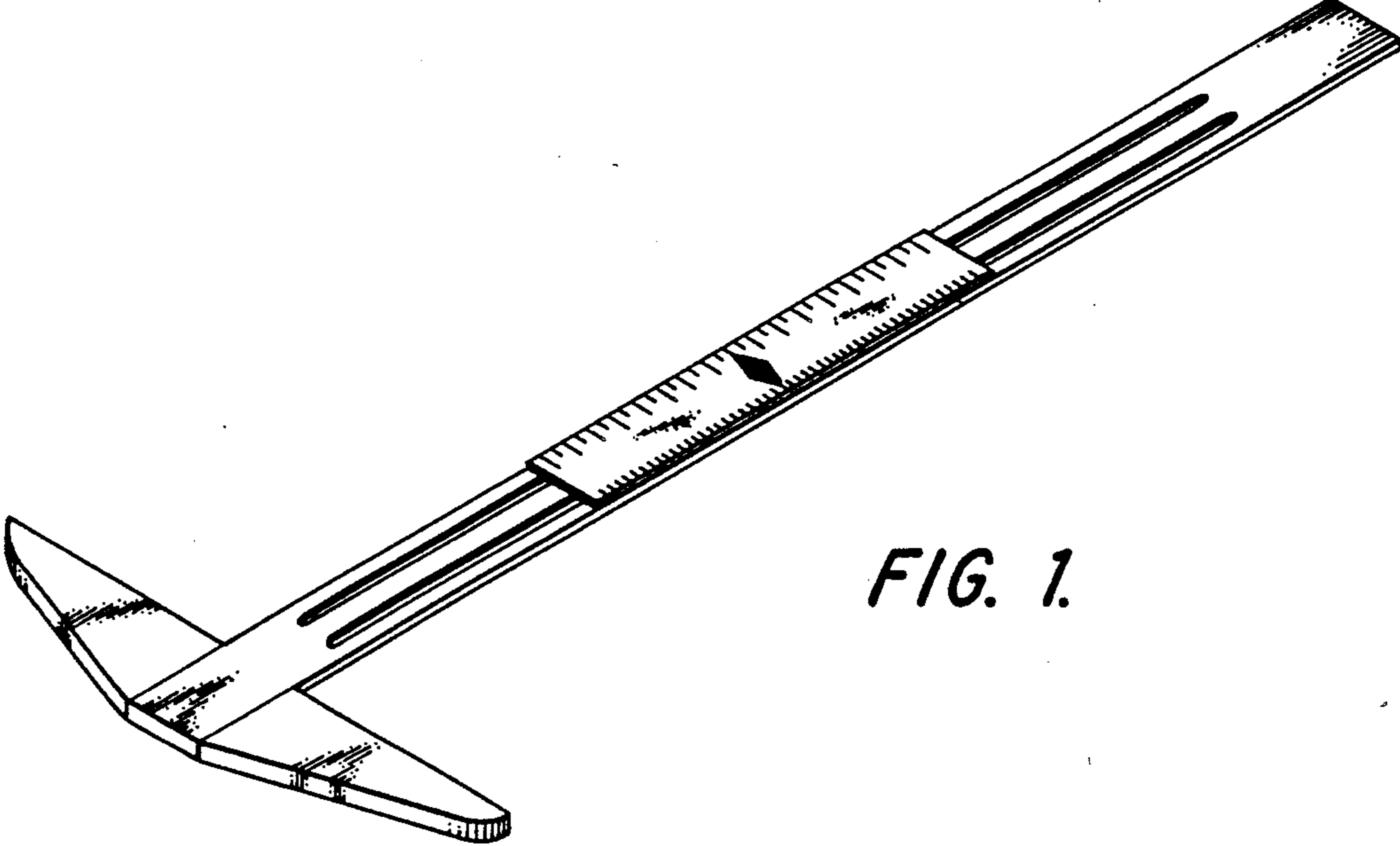


FIG. 1.

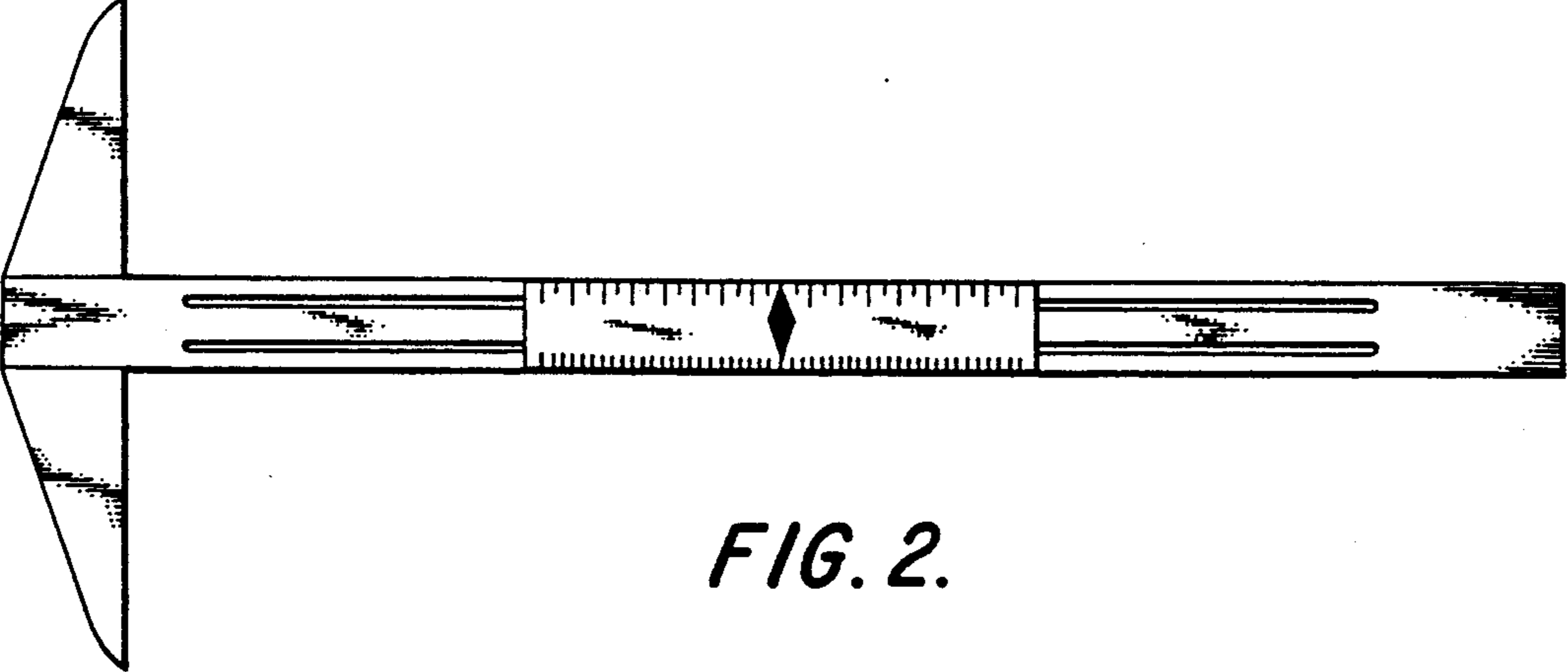


FIG. 2.

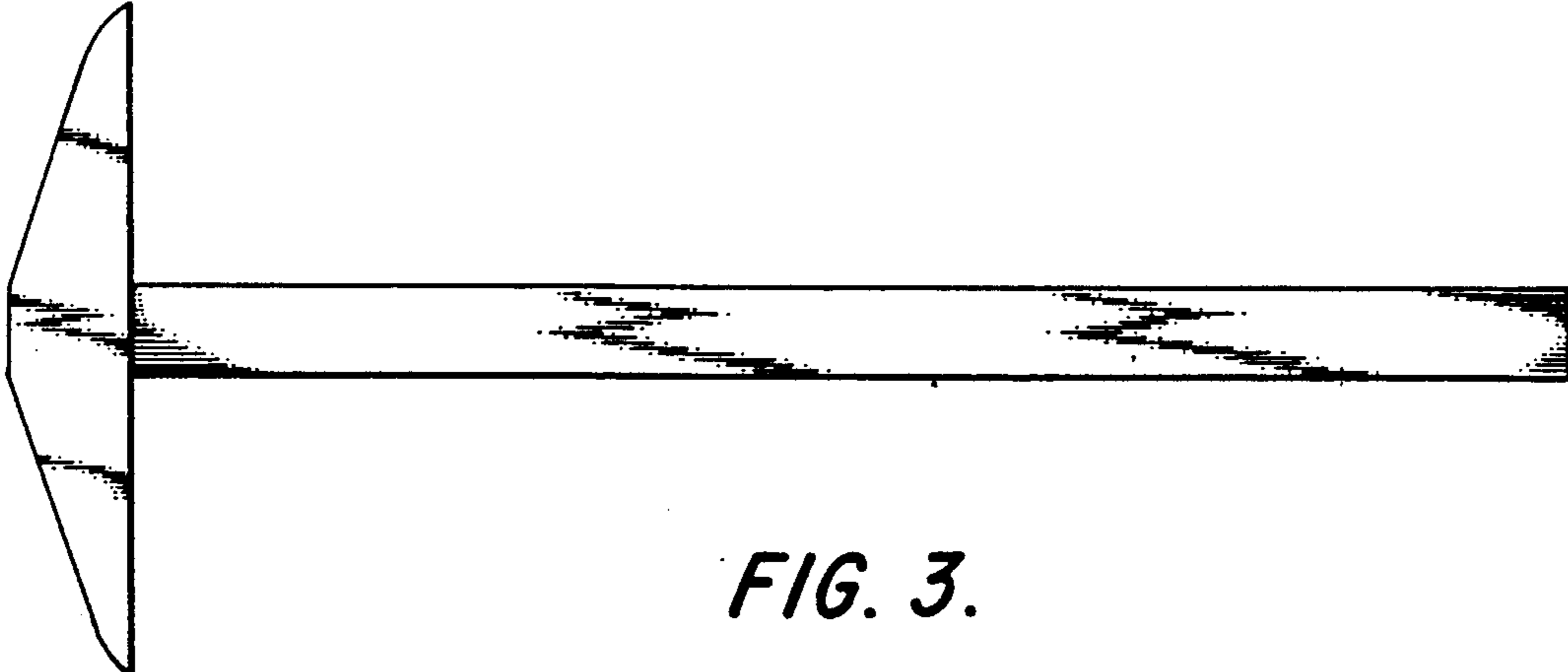


FIG. 3.

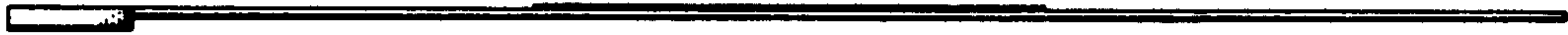


FIG. 4.



FIG. 5.



FIG. 6.

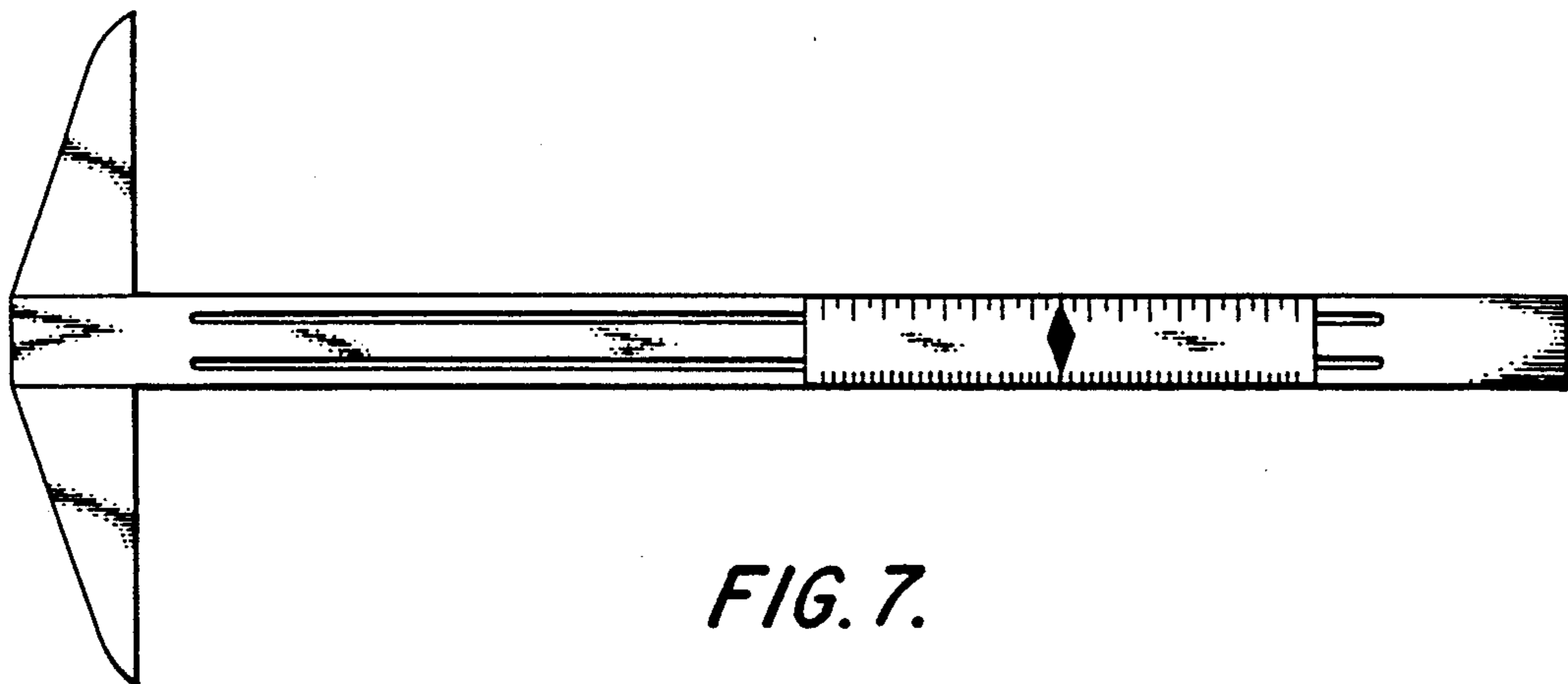


FIG. 7.