

[54] **BICYCLE HANDLEBAR GRIP**

[76] **Inventor: Jeffry L. Lurkis, 7626 Willow Glen Rd., Los Angeles, Calif. 90046**

[**] **Term: 14 Years**

[21] **Appl. No.: 312,234**

[22] **Filed: Feb. 21, 1989**

[52] **U.S. Cl. D8/303**

[58] **Field of Search D8/303; 74/551.9, 551.8; 135/72; D12/110; 180/219**

[56] **References Cited**

U.S. PATENT DOCUMENTS

3,918,323 11/1975 Prager 74/551.8
4,678,233 5/1987 Kishi et al. 180/219
4,716,782 1/1988 Jones 74/551.8

Primary Examiner—James M. Gandy

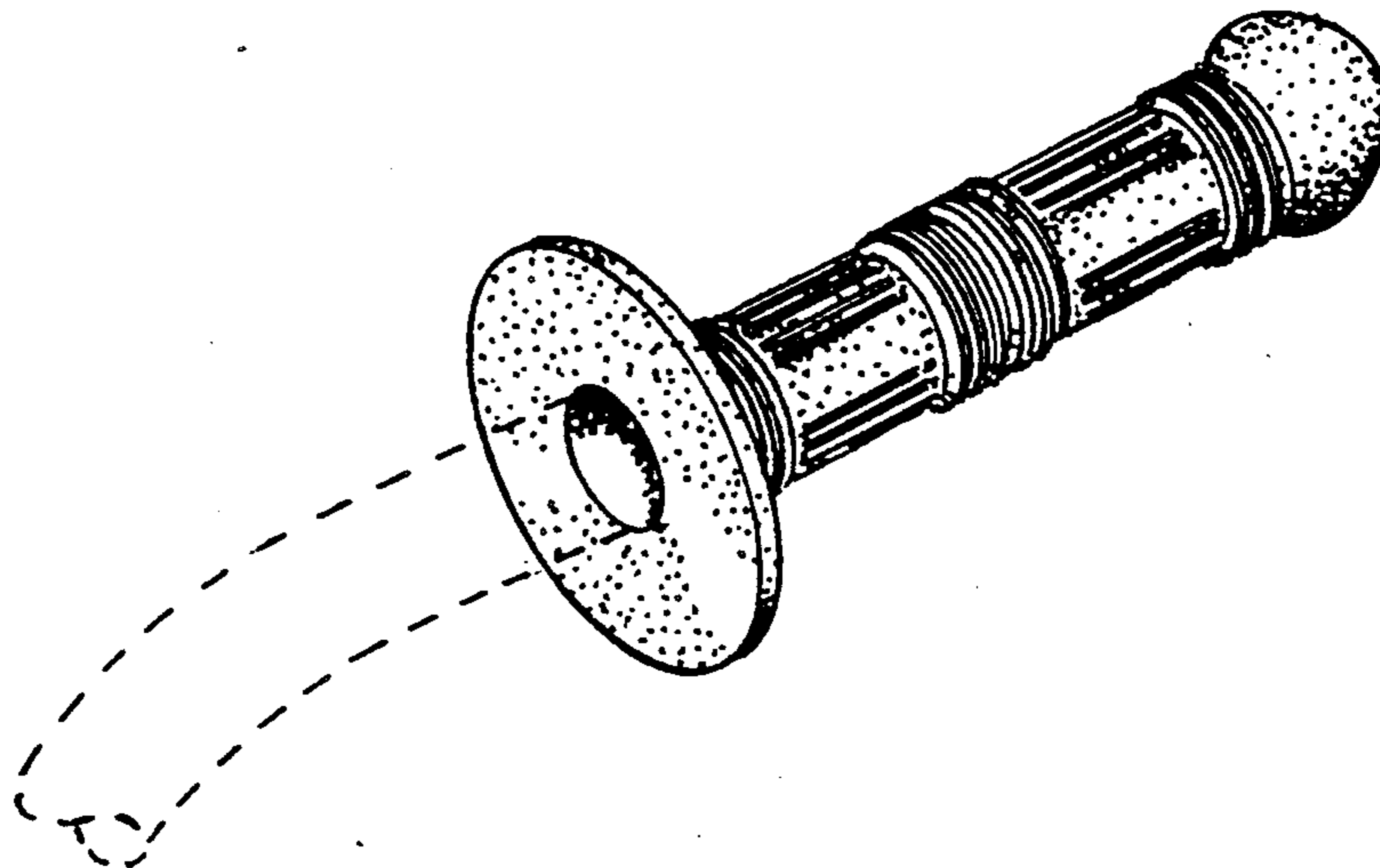
Assistant Examiner—Melody Brown
Attorney, Agent, or Firm—Edward A. Sokolski

[57] **CLAIM**

The ornamental design for a bicycle handlebar grip, as shown and described.

DESCRIPTION

FIG. 1 is a side elevational view showing my new design for a bicycle handlebar grip;
FIG. 2 is a bottom plan view thereof;
FIG. 3 is a top plan view thereof;
FIG. 4 is a perspective view thereof on a reduced scale it being understood that broken lines are for illustrative purposes only and form no part of the claimed design; and
FIG. 5 is an enlarged cross sectional view thereof taken along the plane, indicated by 5—5 in FIG. 1;
The side opposite to that shown in FIG. 1 is the mirror image thereof.



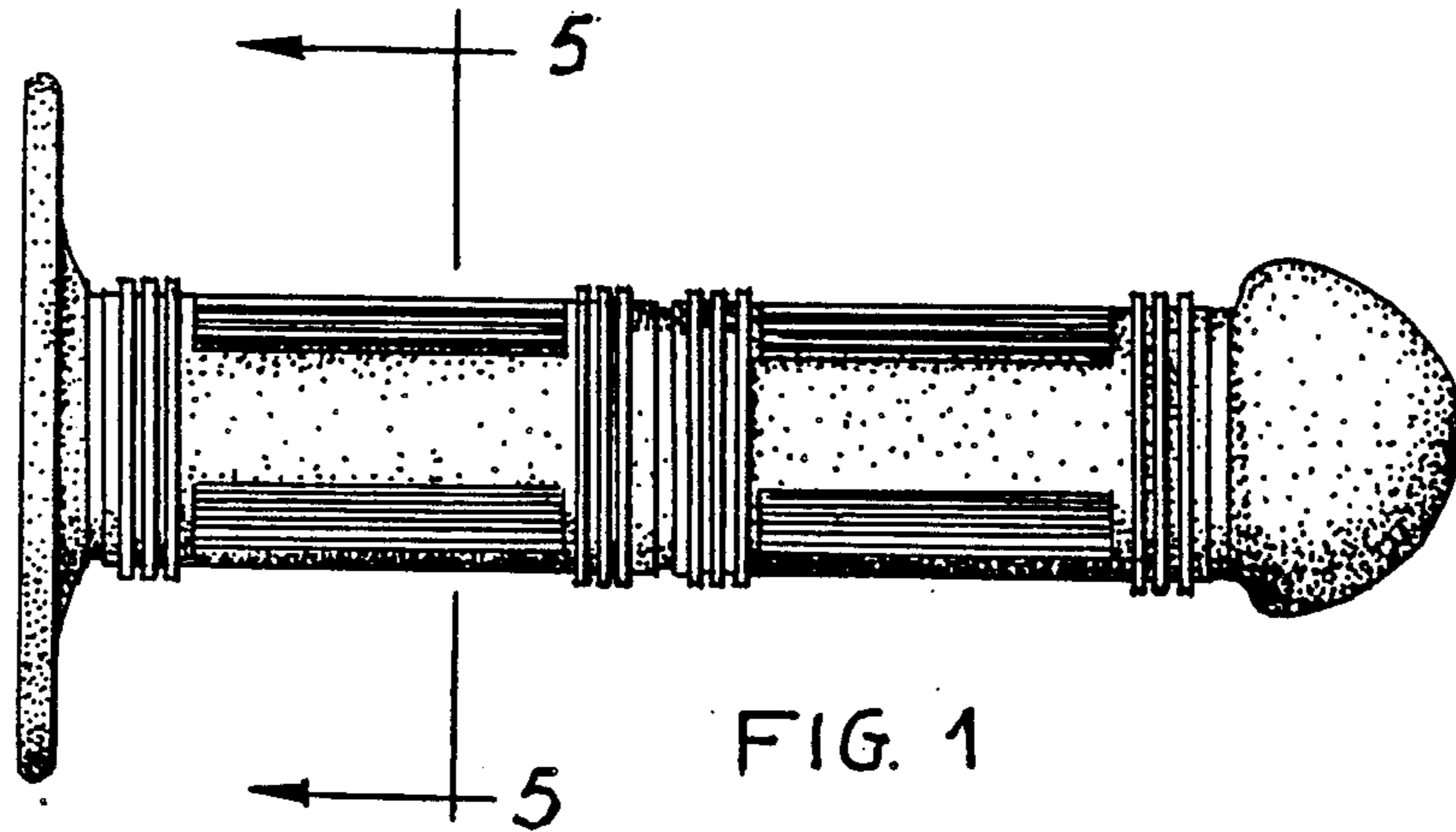


FIG. 1

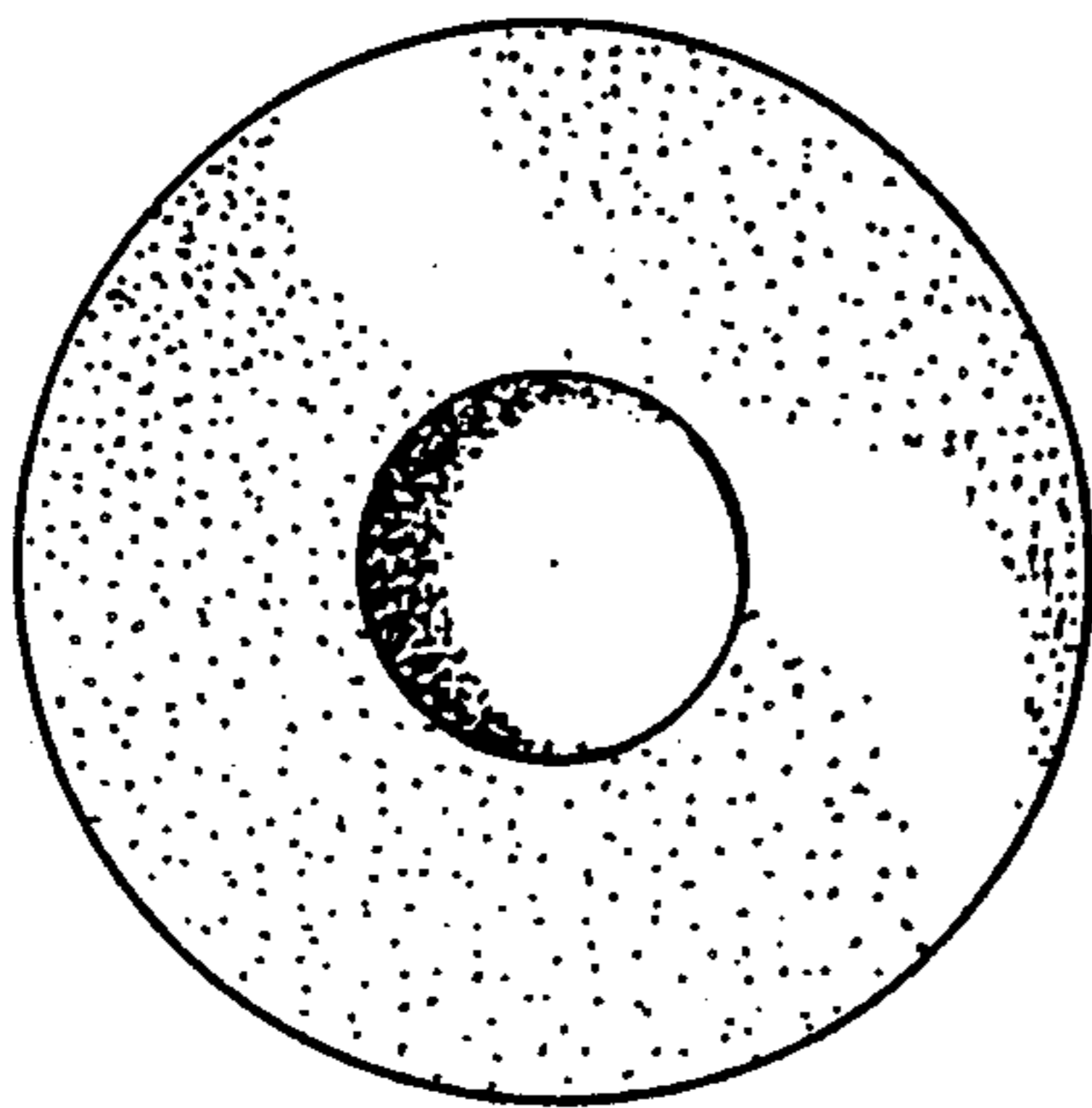


FIG. 2

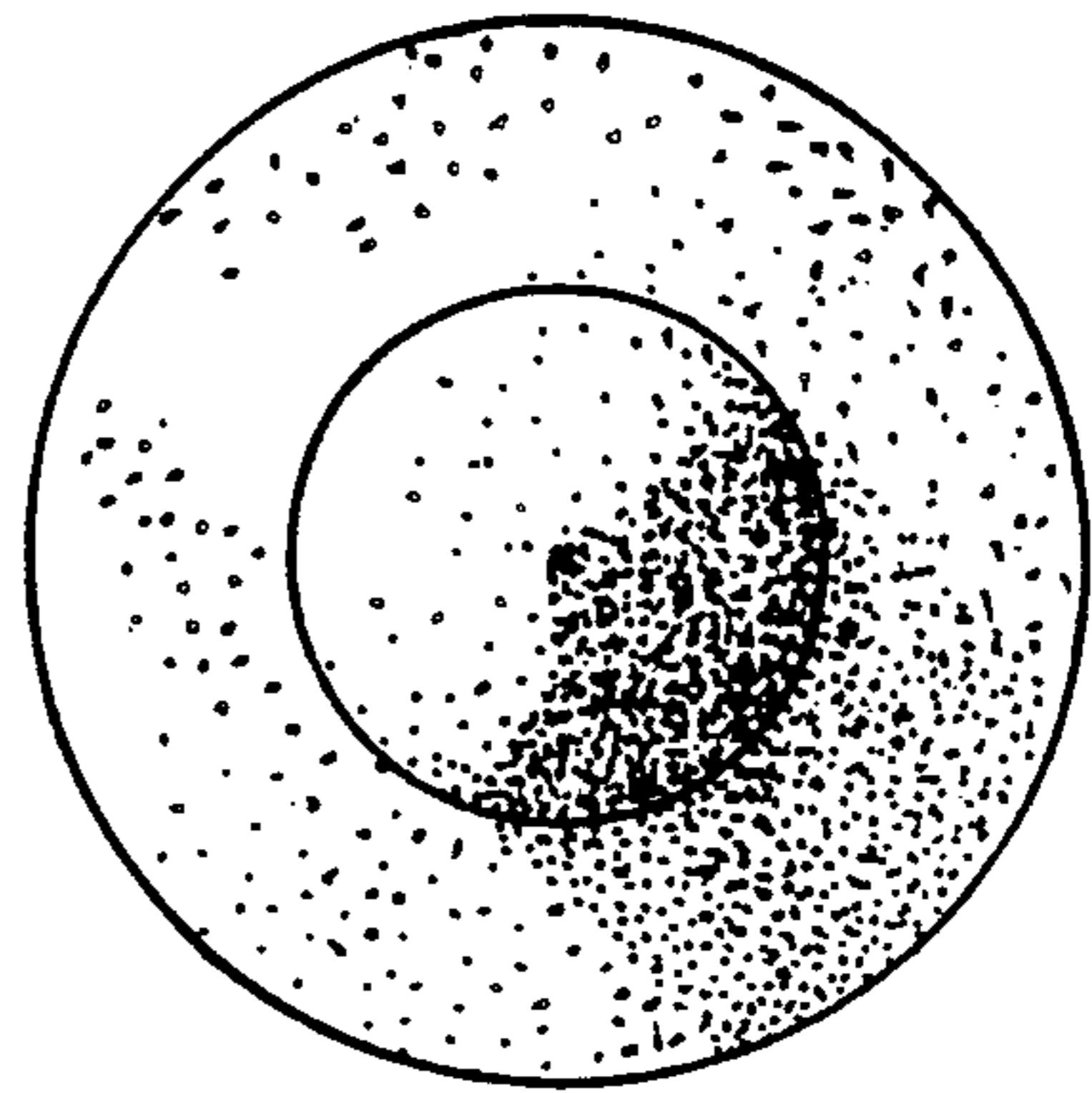


FIG. 3

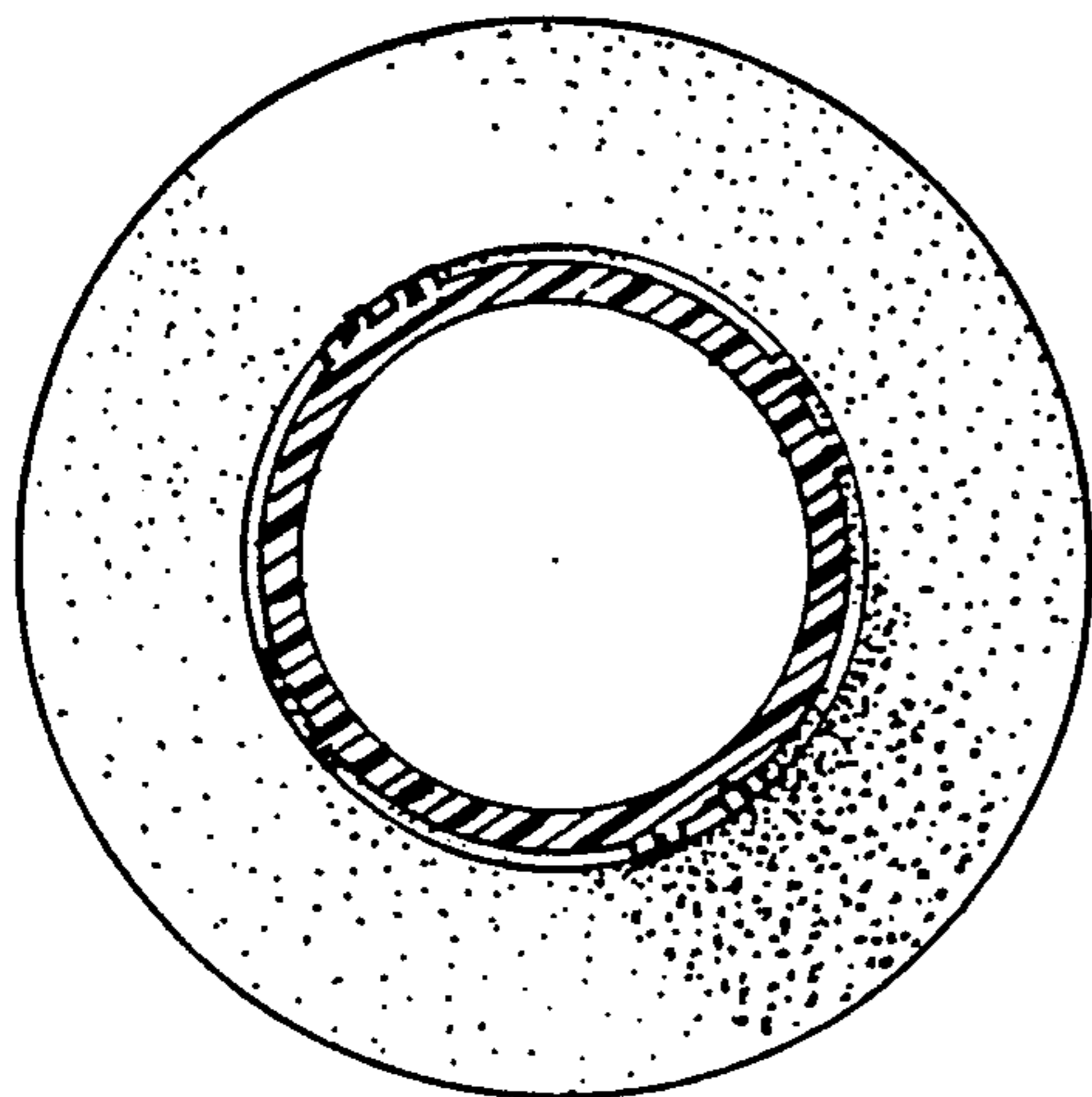


FIG. 5

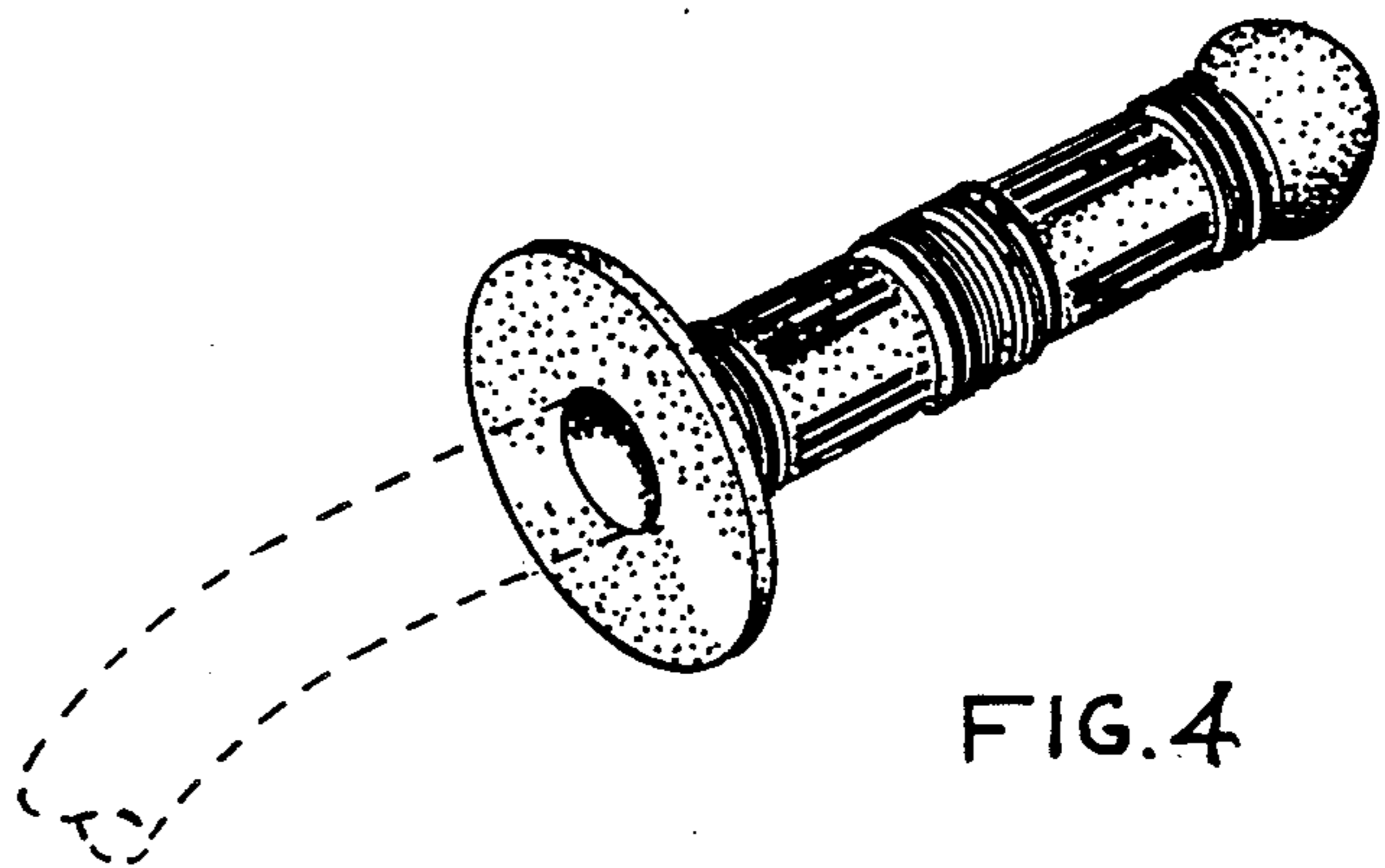


FIG. 4