

[54] CORDLESS DRILL

[75] Inventor: Donald W. Zurwelle, Lutherville, Md.

[73] Assignee: Black & Decker Inc., Newark, Del.

[**] Term: 14 Years

[21] Appl. No.: 166,847

[22] Filed: Mar. 10, 1988

[52] U.S. Cl. D8/68

[58] Field of Search D8/61, 62, 68; 81/57.11, 57.13, 57.14, 54, 429; 173/163, 170; 408/124, 125, 127; 310/50

[56] References Cited

U.S. PATENT DOCUMENTS

- D. 296,072 6/1988 Mochida D8/68
- D. 296,412 6/1988 Nelson et al. D8/68
- D. 300,717 4/1989 Hasegawa et al. D8/68
- D. 303,347 9/1989 Somers D8/68

OTHER PUBLICATIONS

Ryobi brochure page, right column, Cordless Drill Model #BD-101R.

AEG Elektrowerkzeug-Programm '86/87 Catalog, Mar. 1986, p. 27.

BOSCH Elektrowerkzeuge 1985/86 Catalog, Feb. 85, p. 114.

Hitachi Elektrowerkeuge 1985 Catalog, p. 12.

SKIL Power Tool Catalog, p. 19, no date provided (art from applicant).

Primary Examiner—Nelson C. Holtje

Assistant Examiner—Gary D. Watson

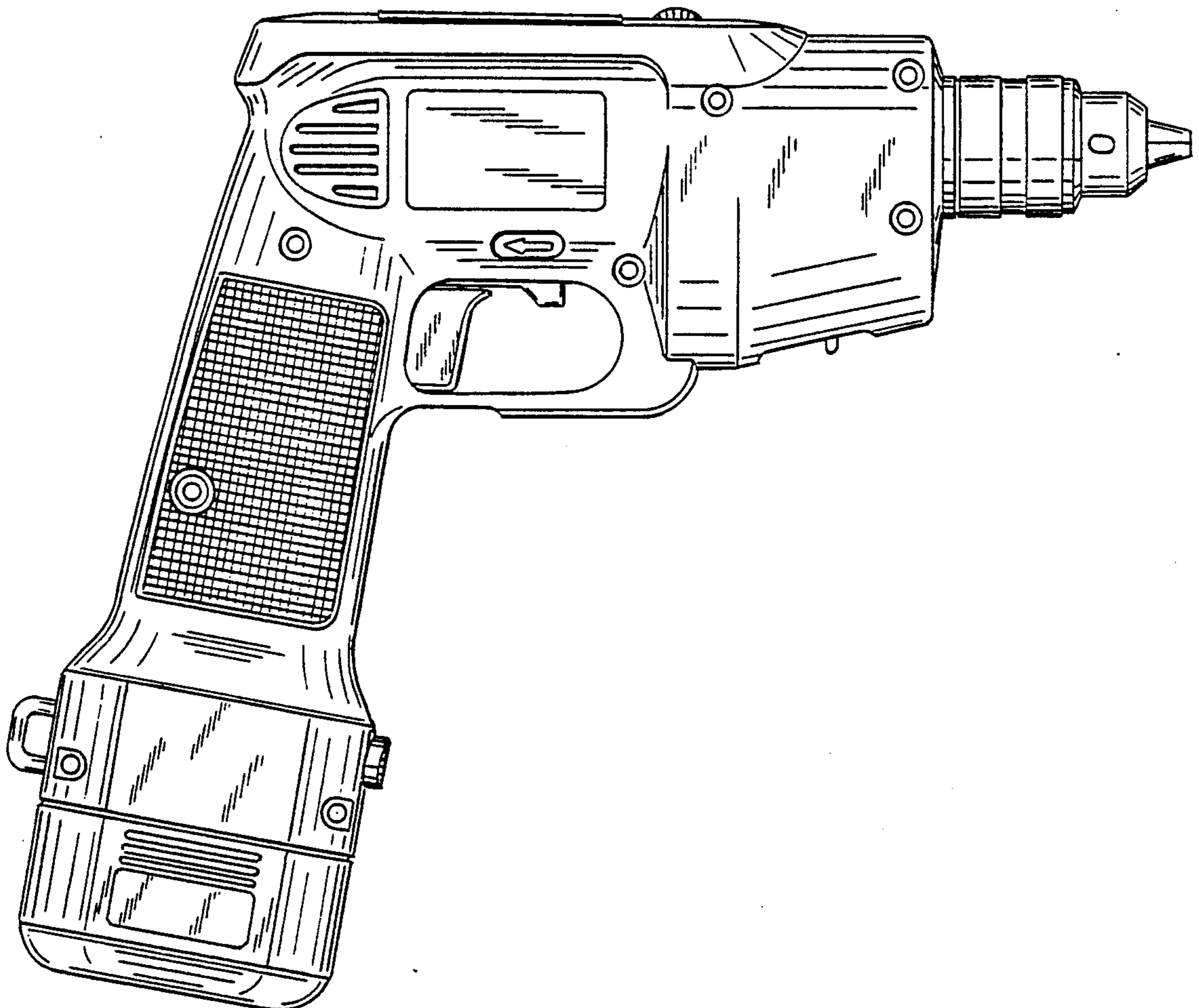
Attorney, Agent, or Firm—Dennis A. Dearing; Charles E. Yocum; John D. Del Ponti

[57] CLAIM

The ornamental design for a cordless drill or similar article, as shown and described.

DESCRIPTION

FIG. 1 is a left side elevational view of a cordless drill showing my new design;
 FIG. 2 is a top plan view;
 FIG. 3 is a bottom plan view;
 FIG. 4 is a front elevational view;
 FIG. 5 is a rear elevational view; and
 FIG. 6 is a top, front and left side perspective view; and
 FIG. 7 is a right side elevational view thereof.



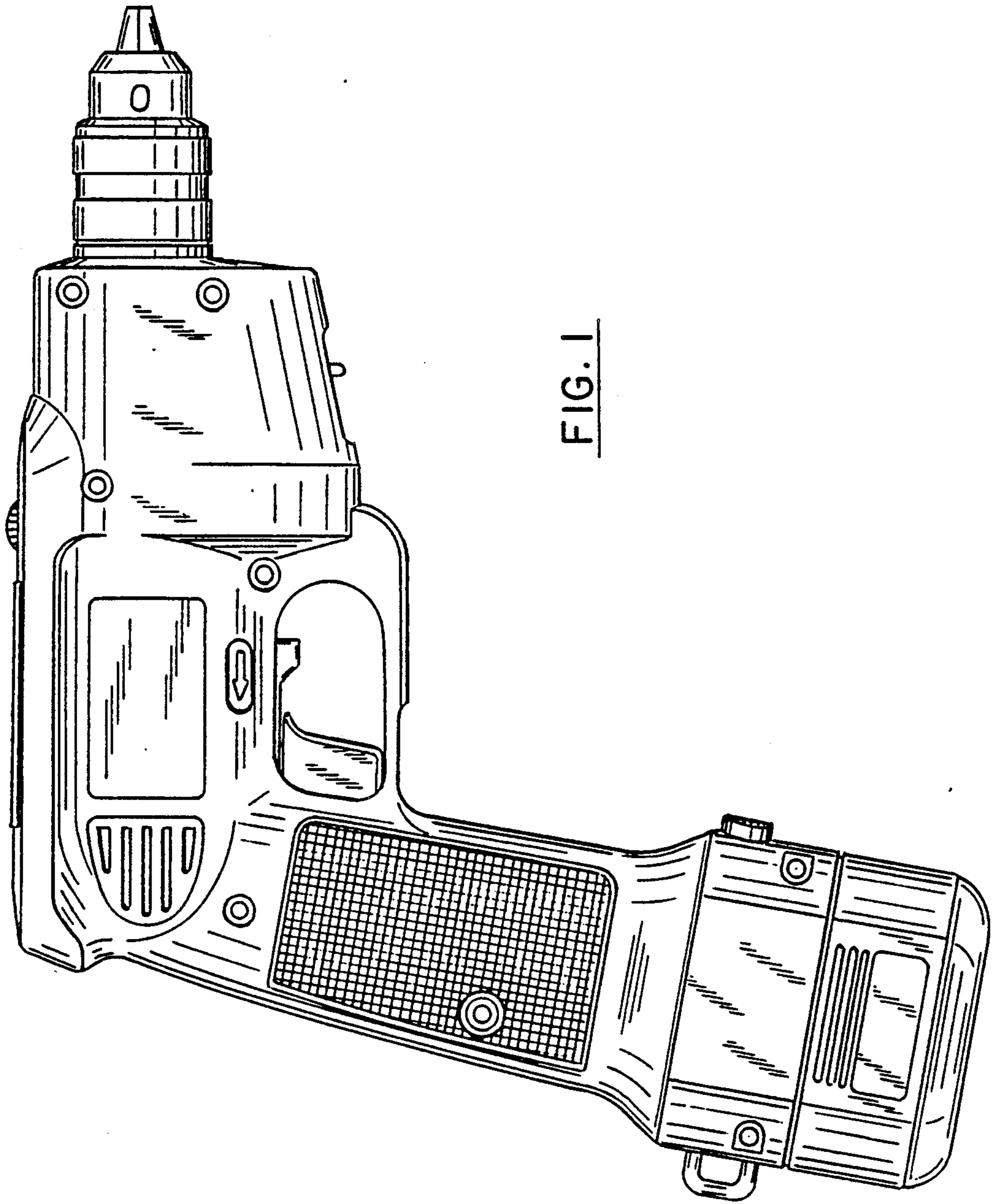


FIG. 1

FIG. 2

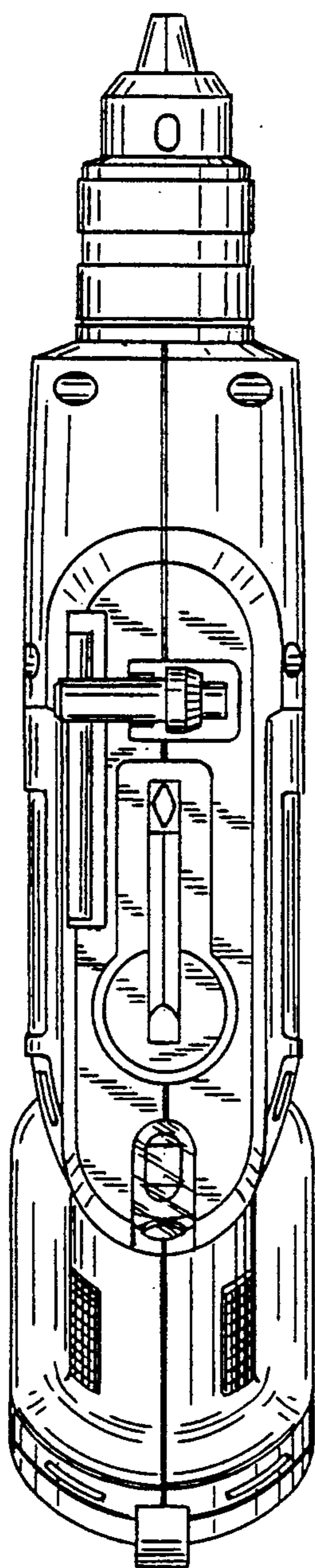


FIG. 3

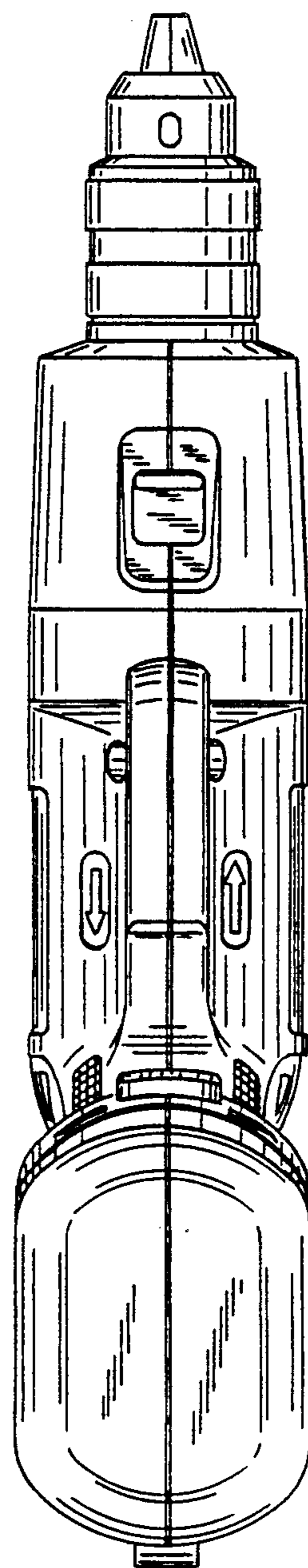


FIG. 5

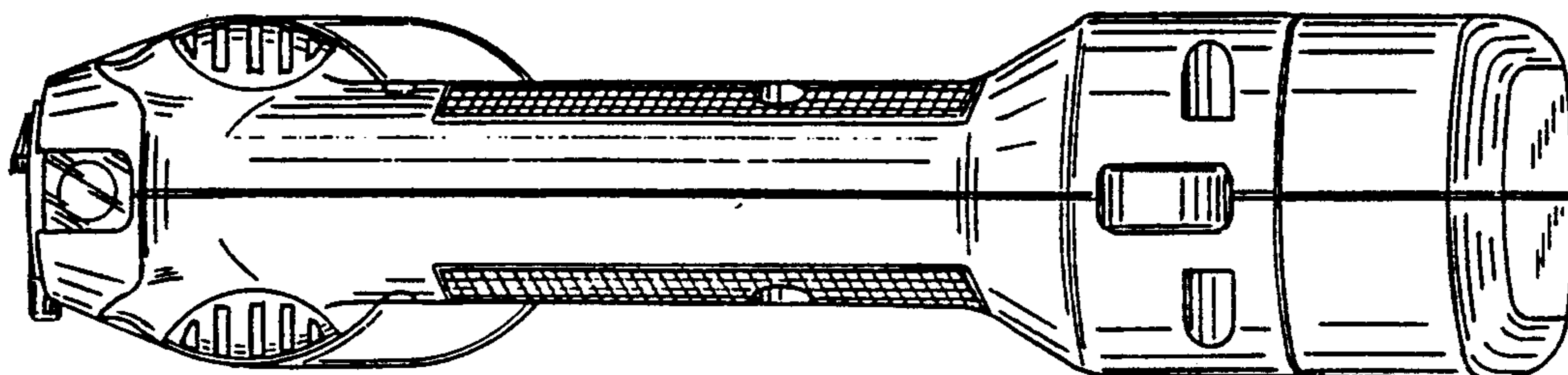
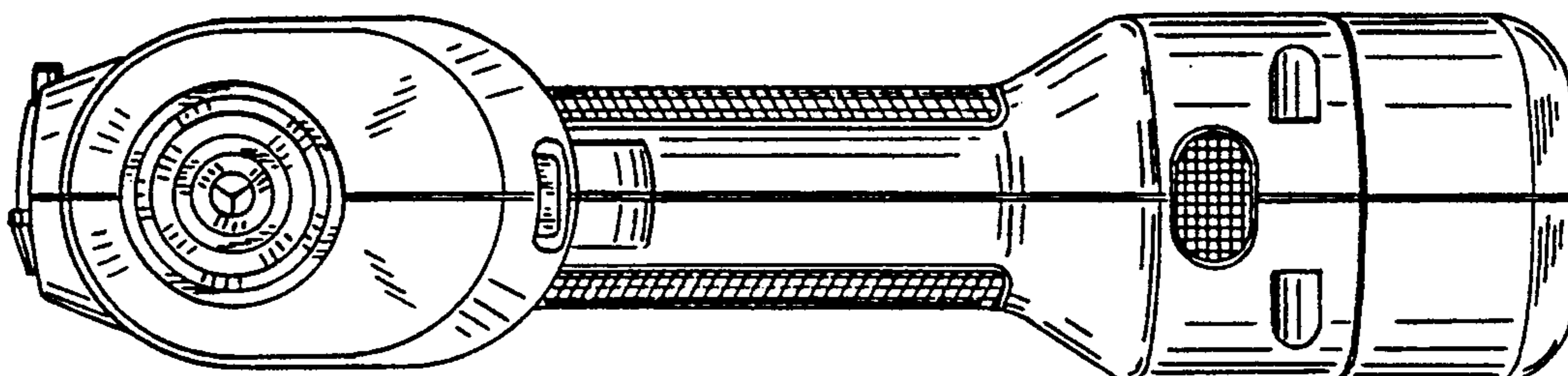


FIG. 4



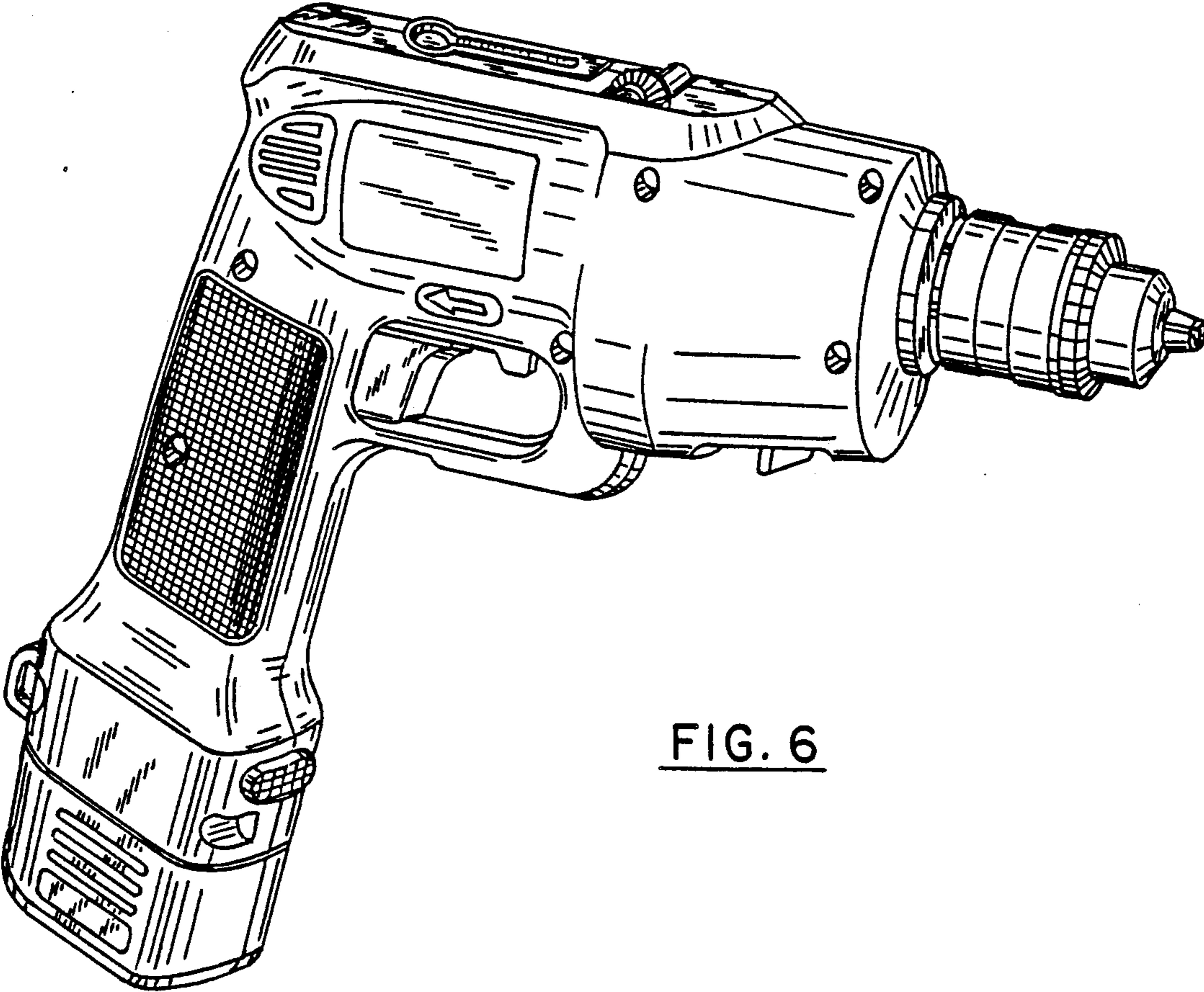


FIG. 6

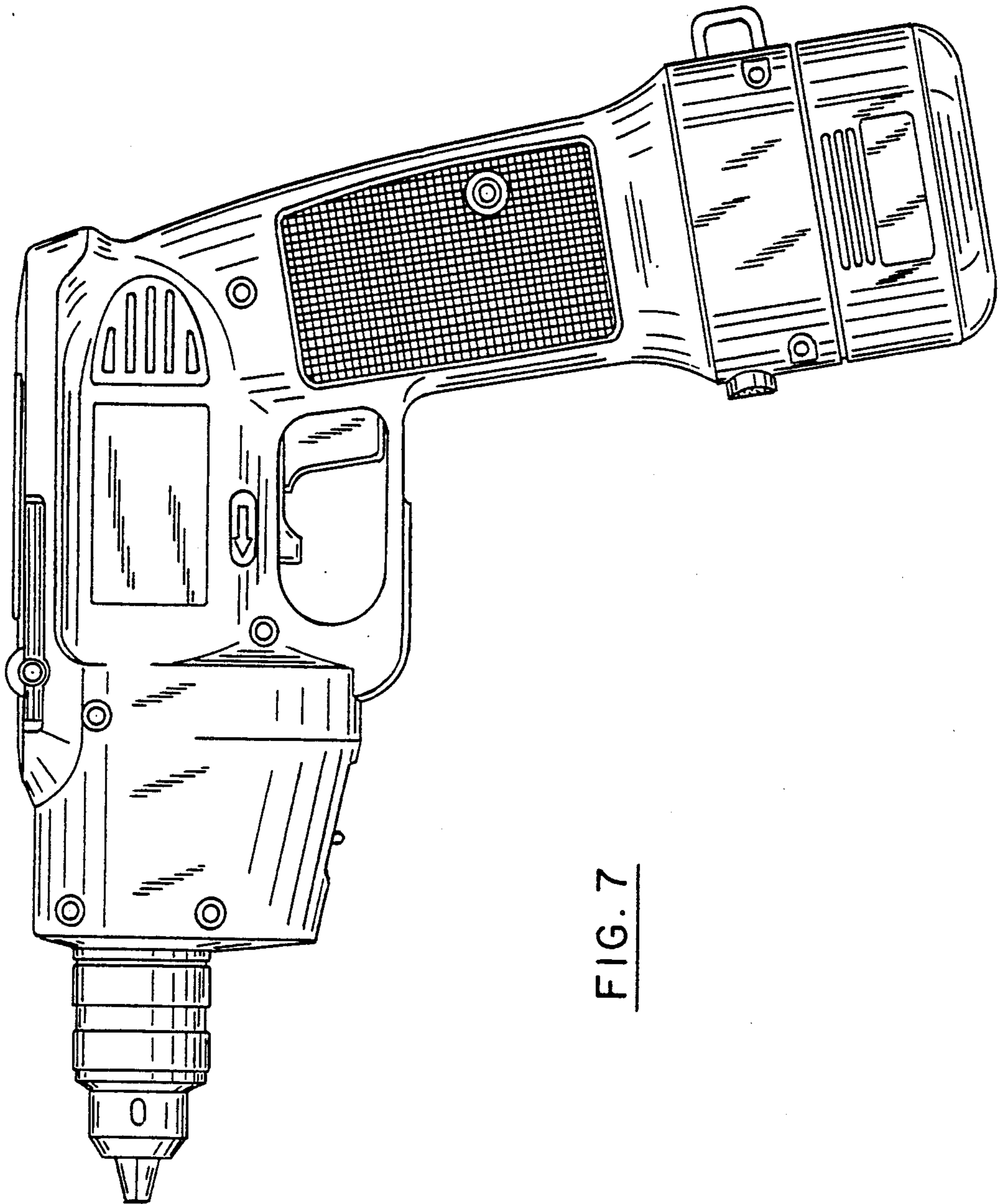


FIG. 7