

# United States Patent [19]

Pioch et al.

[11] Patent Number: **Des. 314,697**

[45] Date of Patent: **\*\* Feb. 19, 1991**

[54] **HAND-HELD POWER SAW**

[75] Inventors: **Peter P. Pioch**, Idstein/Ts.; **Ulrich Berghäuser**, Traunstein, both of Fed. Rep. of Germany

[73] Assignee: **Black & Decker Inc.**, Newark, Del.

[\*\*] Term: **14 Years**

[21] Appl. No.: **202,911**

[22] Filed: **Jun. 3, 1988**

[30] **Foreign Application Priority Data**

Feb. 19, 1988 [DE] Fed. Rep. of Germany ..... 261/88  
[52] U.S. Cl. .... **D8/64**  
[58] Field of Search ..... D8/61-70;  
D15/133, 138; 30/355, 369, 381-383, 392-394,  
501, 502; 83/788, 808, 835, 840, 848-851

[56] **References Cited**

**U.S. PATENT DOCUMENTS**

- D. 268,089 3/1983 Sato ..... D8/65
- D. 285,894 9/1986 Kawakami et al. .... D8/8
- 3,537,490 11/1970 Shaw et al. .... 30/394
- 3,716,916 2/1973 Alexander ..... 83/835 X
- 4,031,622 6/1977 Alexander ..... 30/392
- 4,784,034 11/1988 Stones et al. .... 83/835 X
- 4,798,001 1/1989 Grossmann et al. .... 30/369 X

4,856,195 8/1989 Grossman et al. .... 30/383 X

**FOREIGN PATENT DOCUMENTS**

MR27278 4/1987 Fed. Rep. of Germany .  
1570631 7/1980 United Kingdom .

**OTHER PUBLICATIONS**

*Wright* catalog, 4/1969, cover, saw pictured.

*Primary Examiner*—Nelson C. Holtje  
*Assistant Examiner*—Gary D. Watson  
*Attorney, Agent, or Firm*—Dennis A. Dearing; Charles E. Yocum; Edward D. C. Bartlett

[57] **CLAIM**

The ornamental design for a hand-held power saw, as shown and described.

**DESCRIPTION**

FIG. 1 is a left side elevational view of a hand-held power saw, showing our new design; FIG. 2 is a top plan view; FIG. 3 is a bottom plan view; FIG. 4 is a rear elevational view; FIG. 5 is a front elevational view; FIG. 6 is a right side elevational view; and FIG. 7 is a top right front perspective view thereof. The power cord has been omitted for ease illustration.

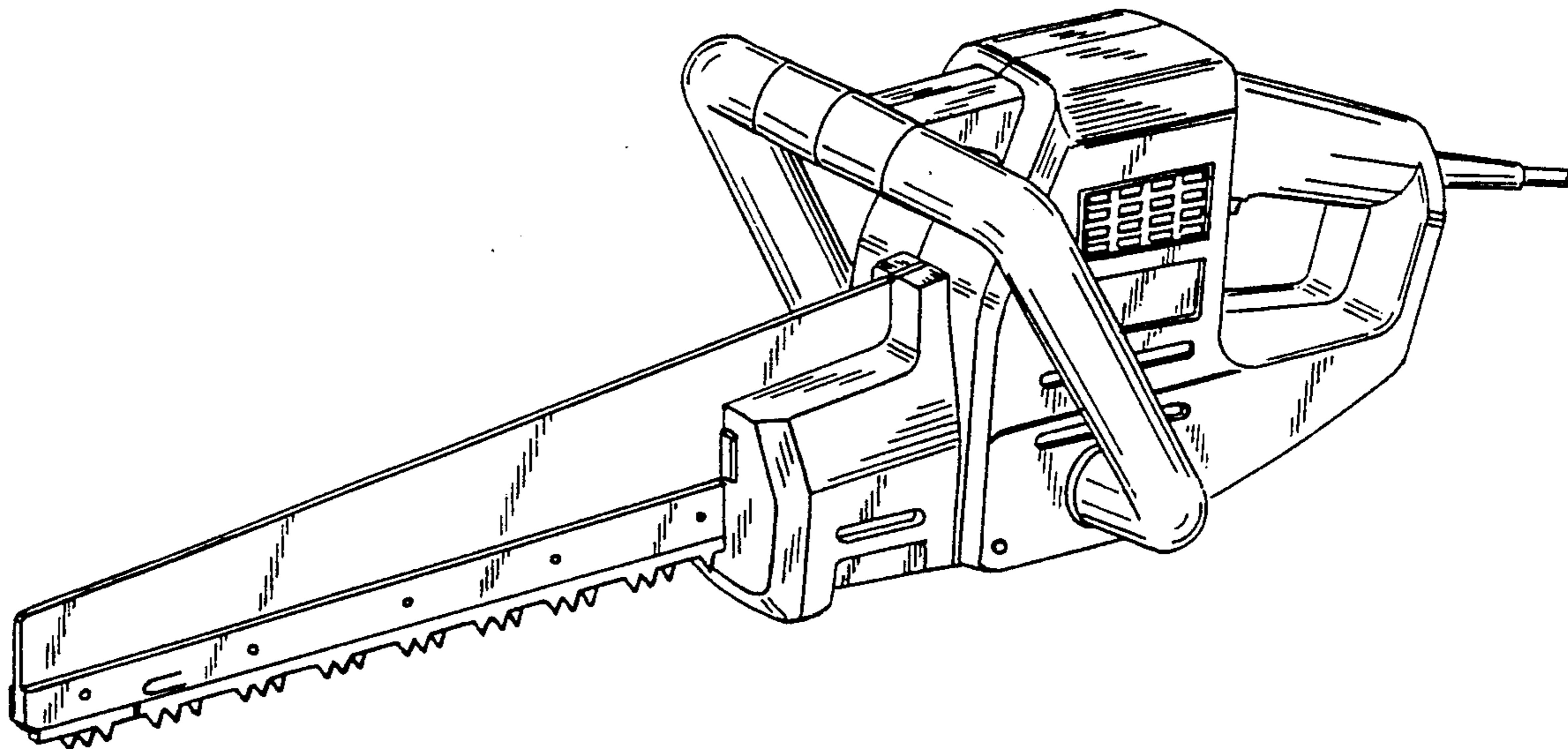


Fig. 3

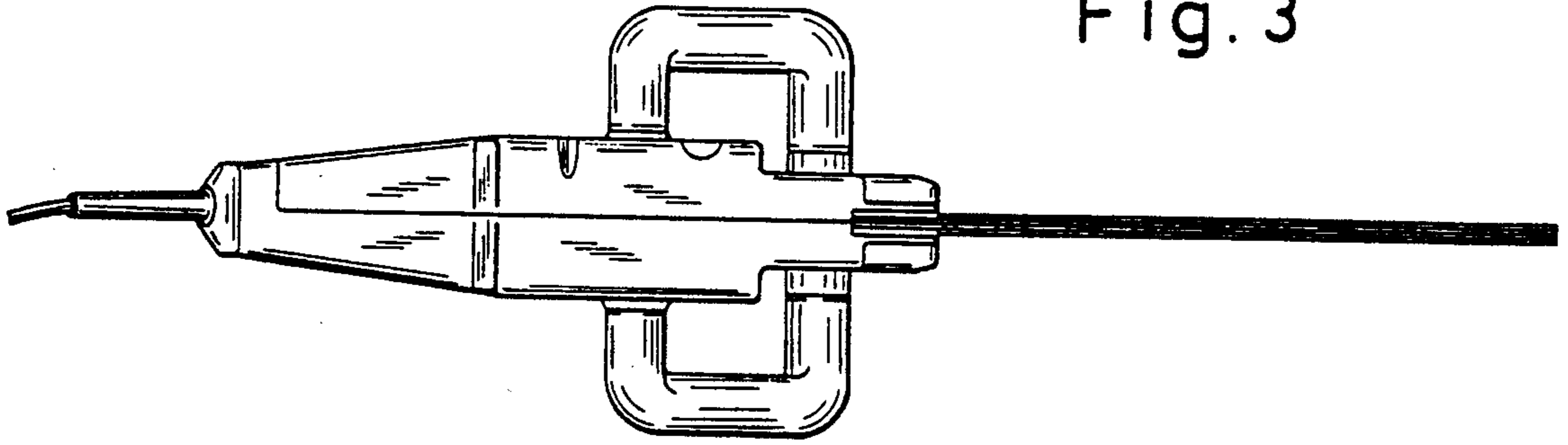


Fig. 1

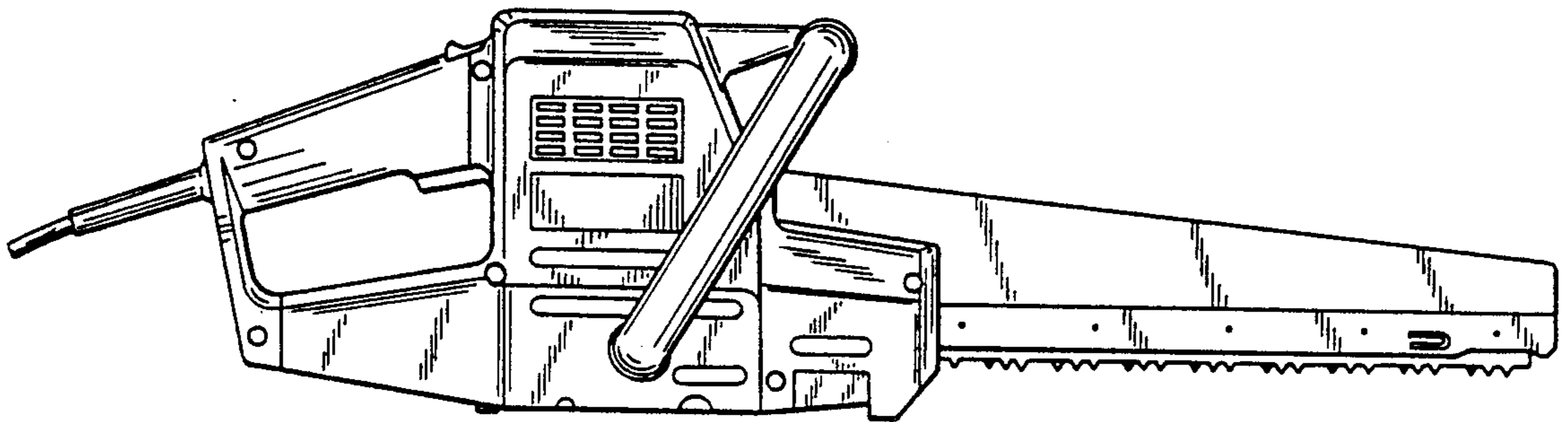


Fig. 2

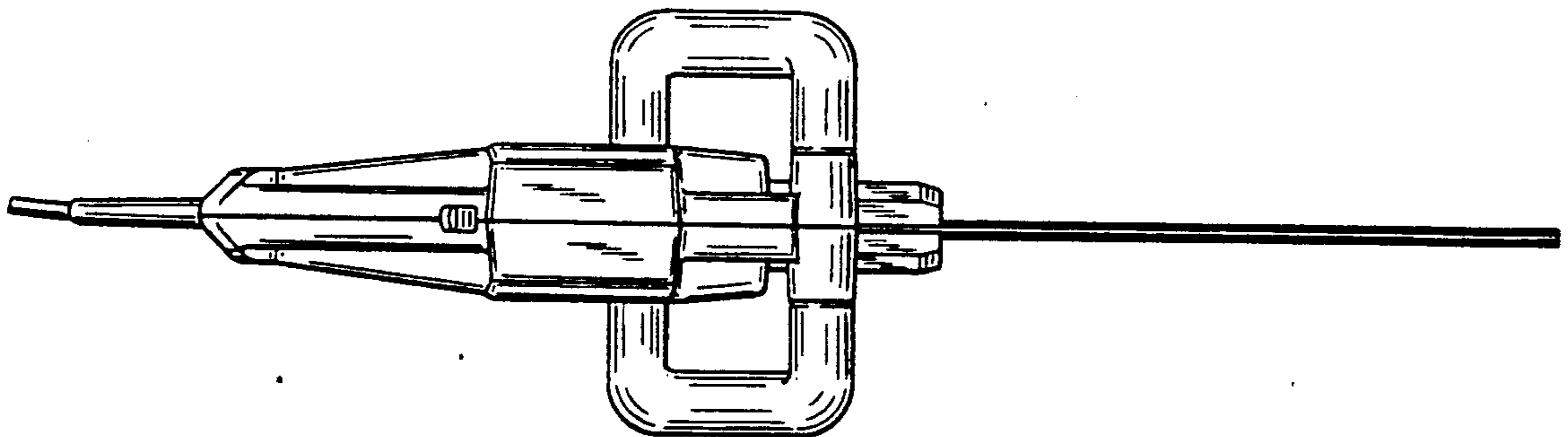


Fig. 4

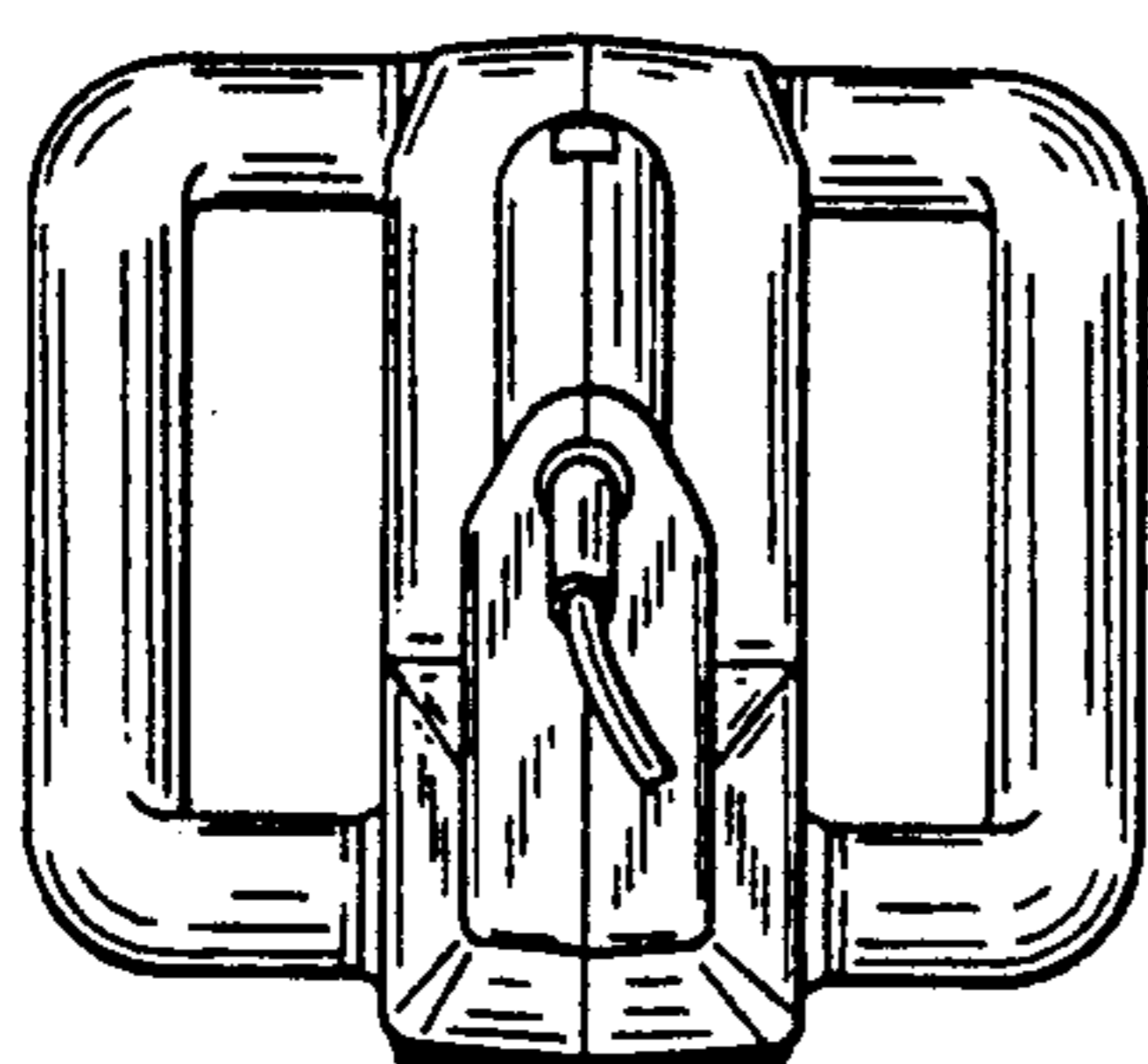


Fig. 5

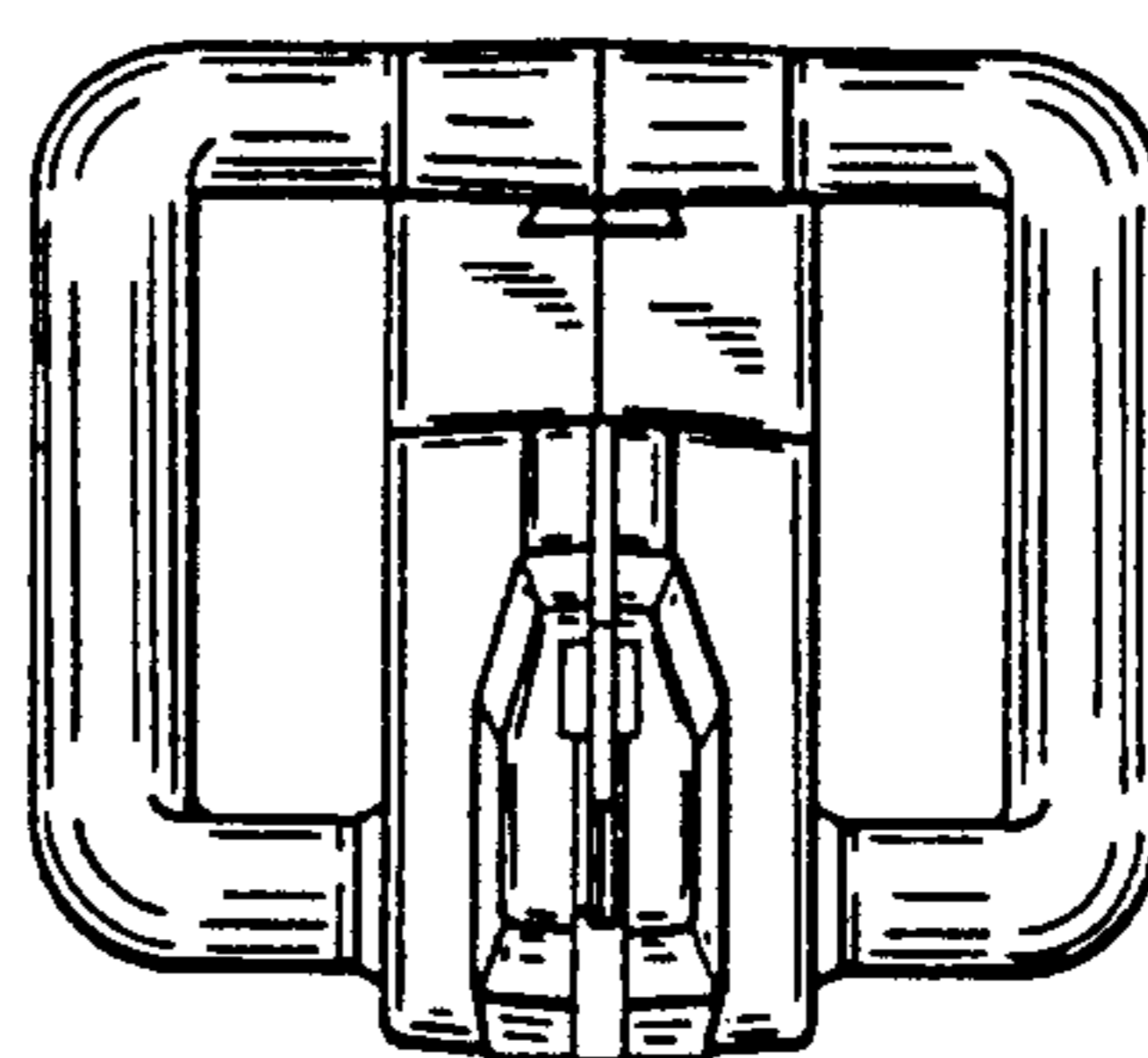
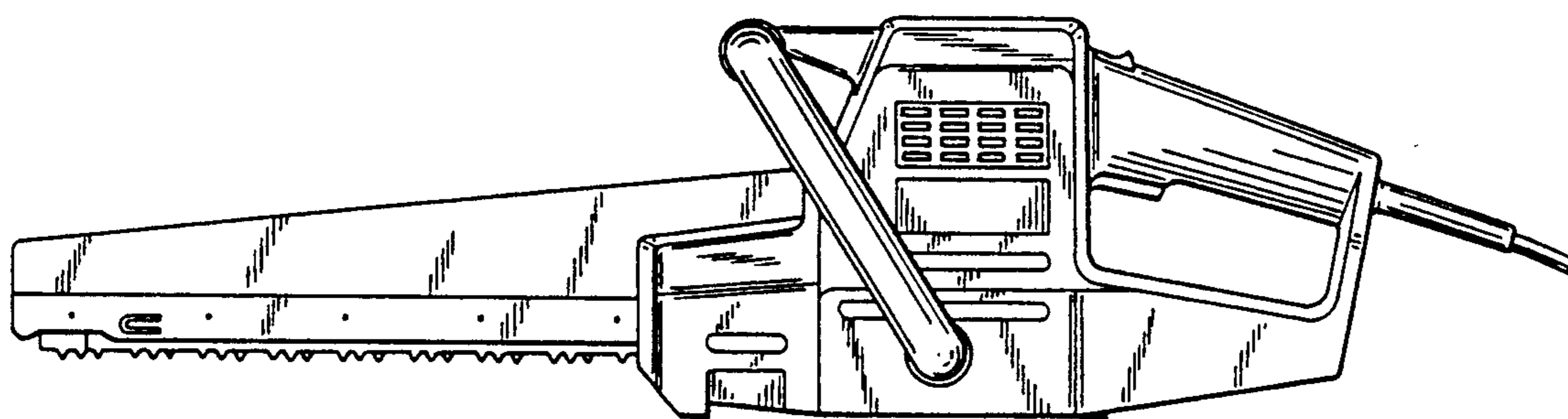


Fig. 6



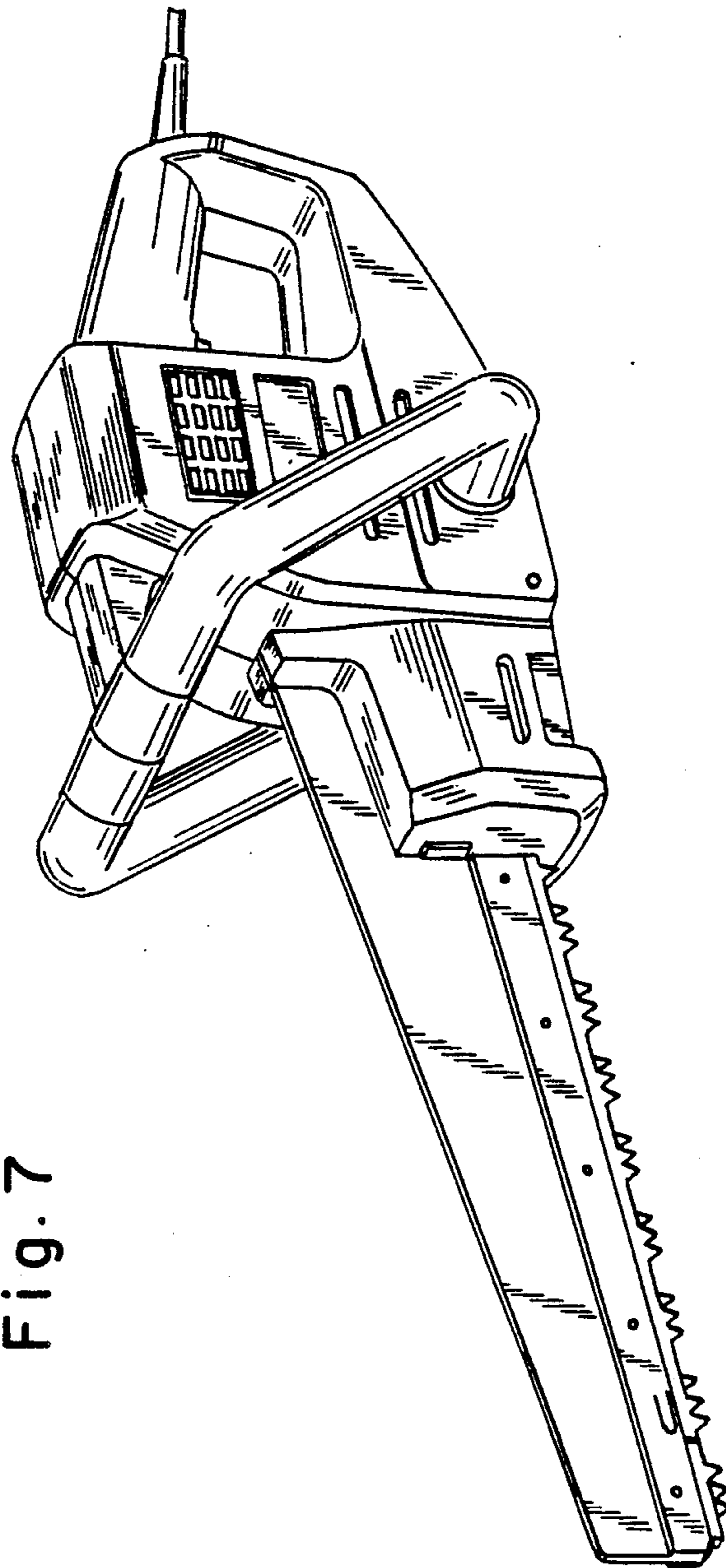


Fig. 7