

[54] BREADSTICKS CUTTER

[75] Inventor: James B. Marston, Wichita, Kans.

[73] Assignee: Pizza Hut, Inc., Wichita, Kans.

[**] Term: 14 Years

[21] Appl. No.: 99,513

[22] Filed: Sep. 22, 1987

[52] U.S. Cl. D7/673

[58] Field of Search D7/43, 106; 425/298, 425/308, 289, 310-311; 30/305, 314-315

[56] References Cited

U.S. PATENT DOCUMENTS

D. 295,708 5/1988 Castonguay D7/43

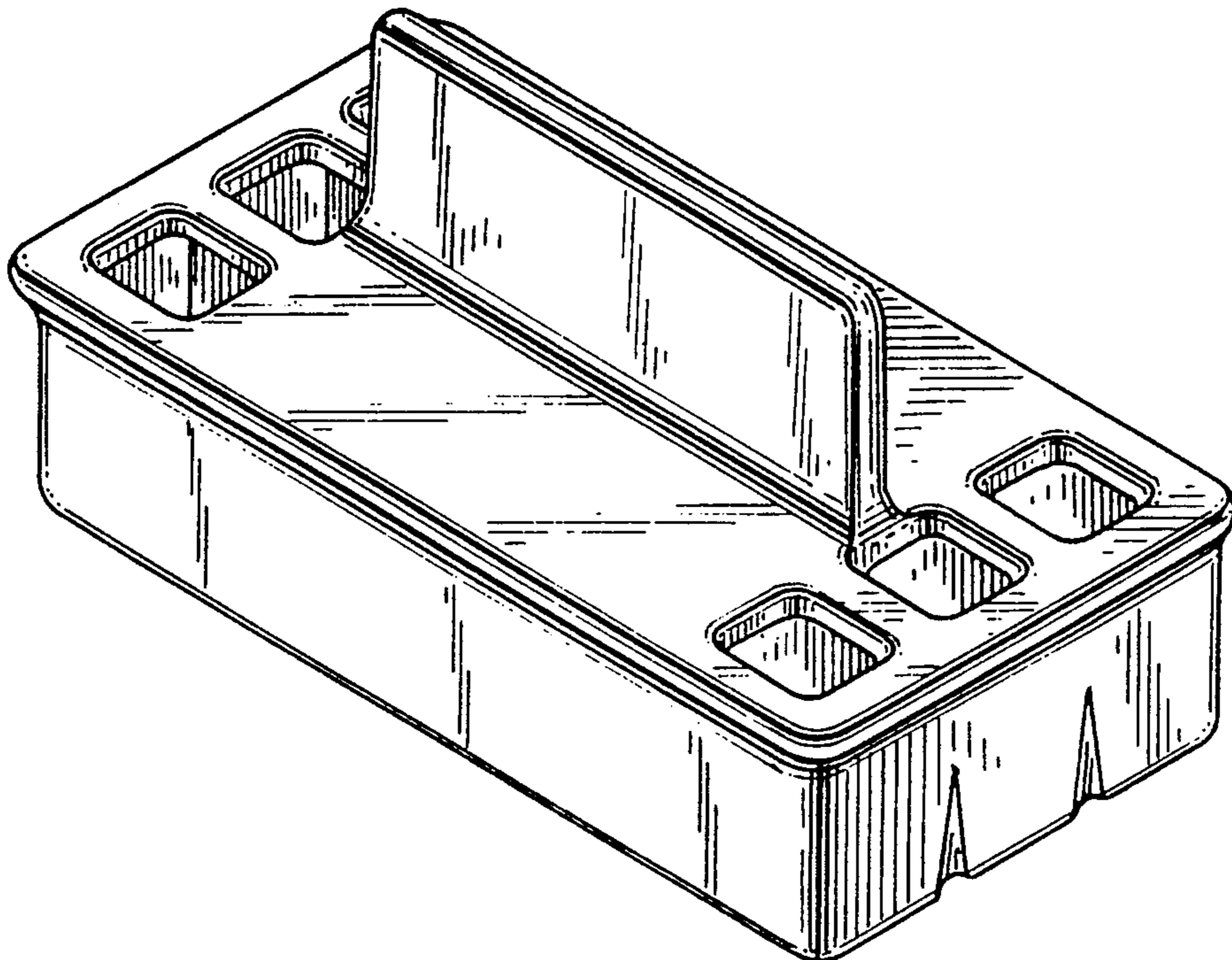
Primary Examiner—Bernard Ansher
Assistant Examiner—Terry A. Pfeffer

[57] CLAIM

The ornamental design for the breadsticks cutter, as shown.

DESCRIPTION

FIG. 1 is a top perspective view of the breadsticks cutter showing my new design; FIG. 2 is a bottom perspective view thereof; FIG. 3 is a rear elevational view thereof; FIG. 4 is a left side elevational view thereof; FIG. 5 is a top plan view thereof; FIG. 6 is a bottom plan view thereof; and FIG. 7 is a cross-sectional view thereof taken along line 7—7 of FIG. 3.



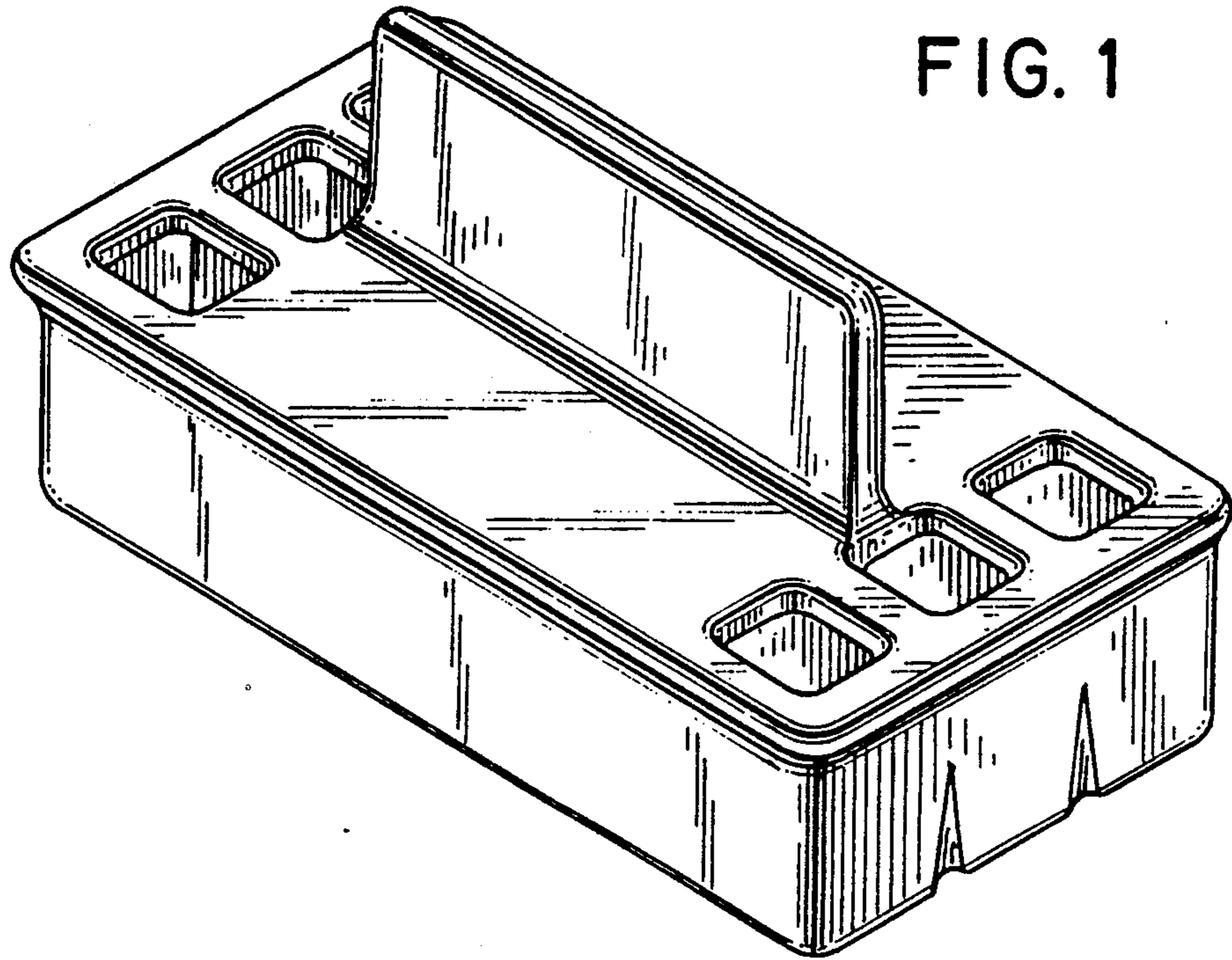


FIG. 1

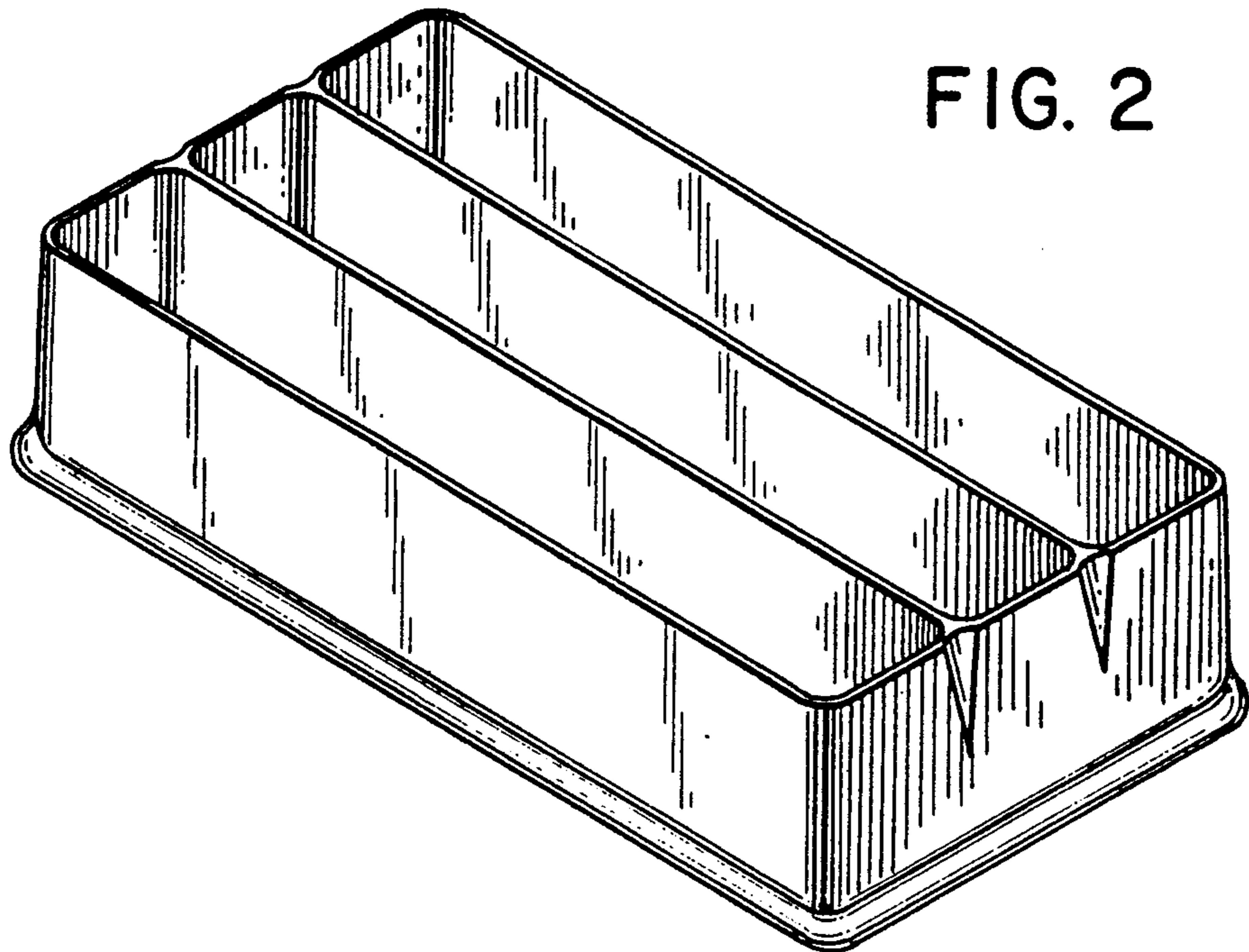


FIG. 2

FIG. 3

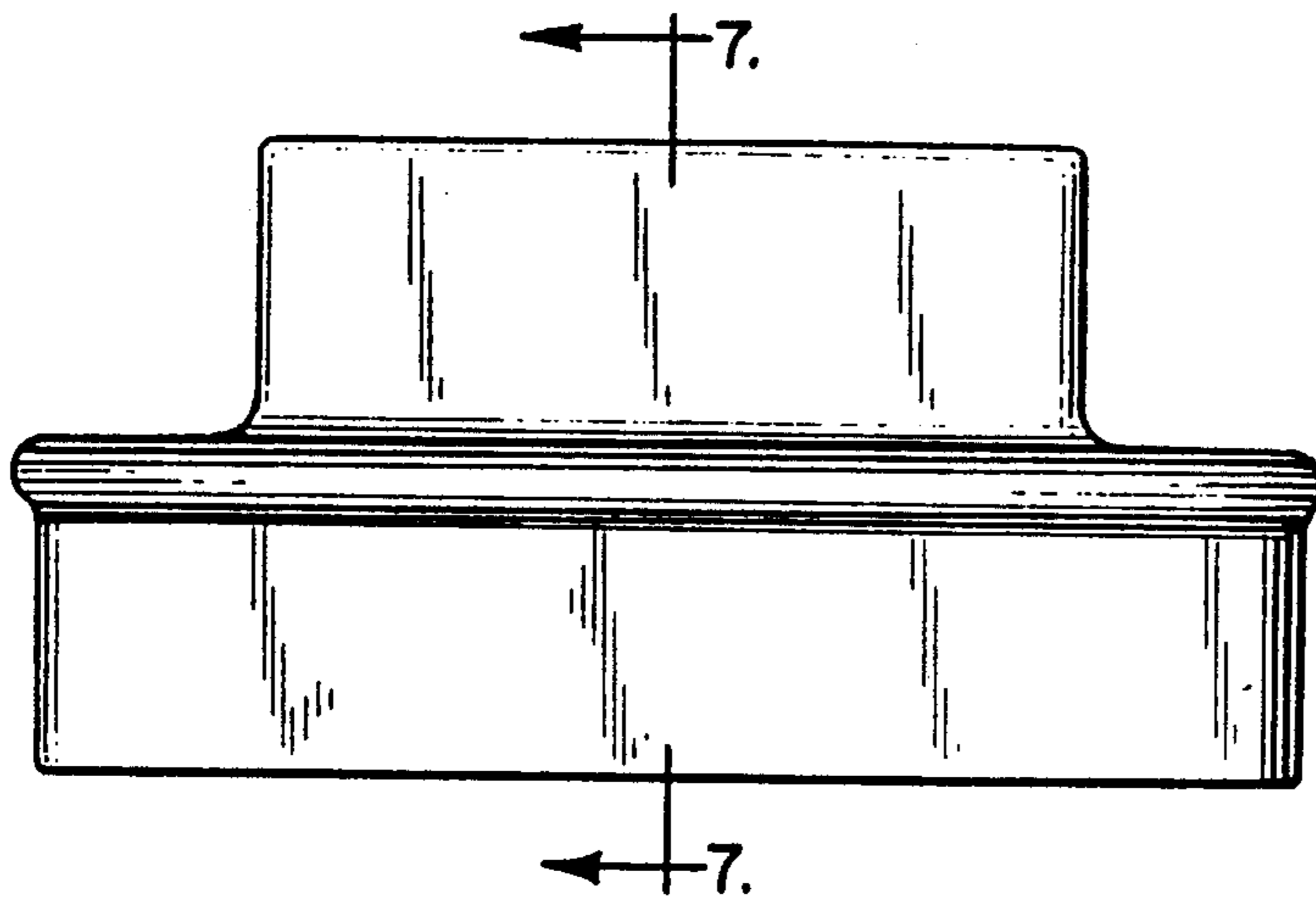


FIG. 4

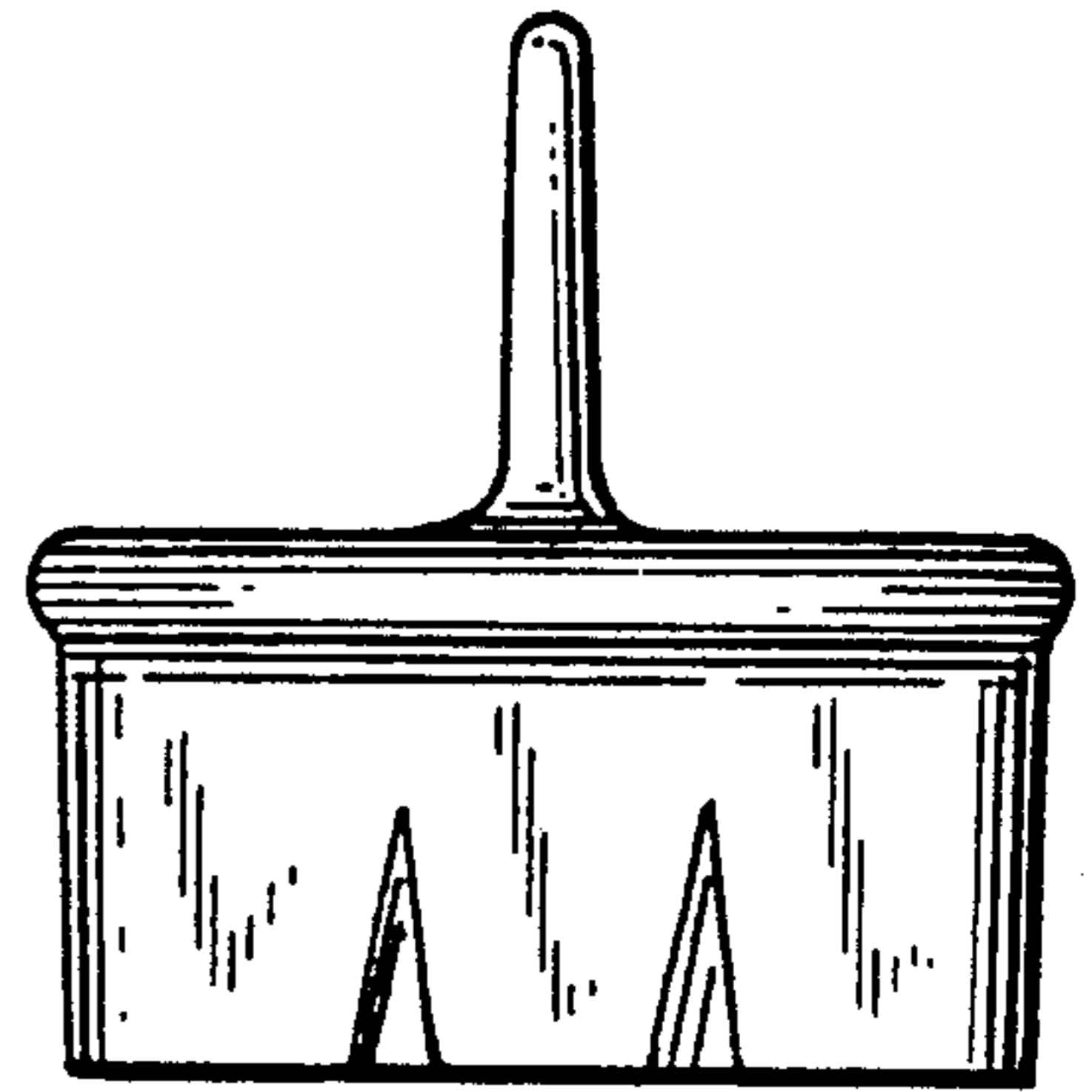


FIG. 5

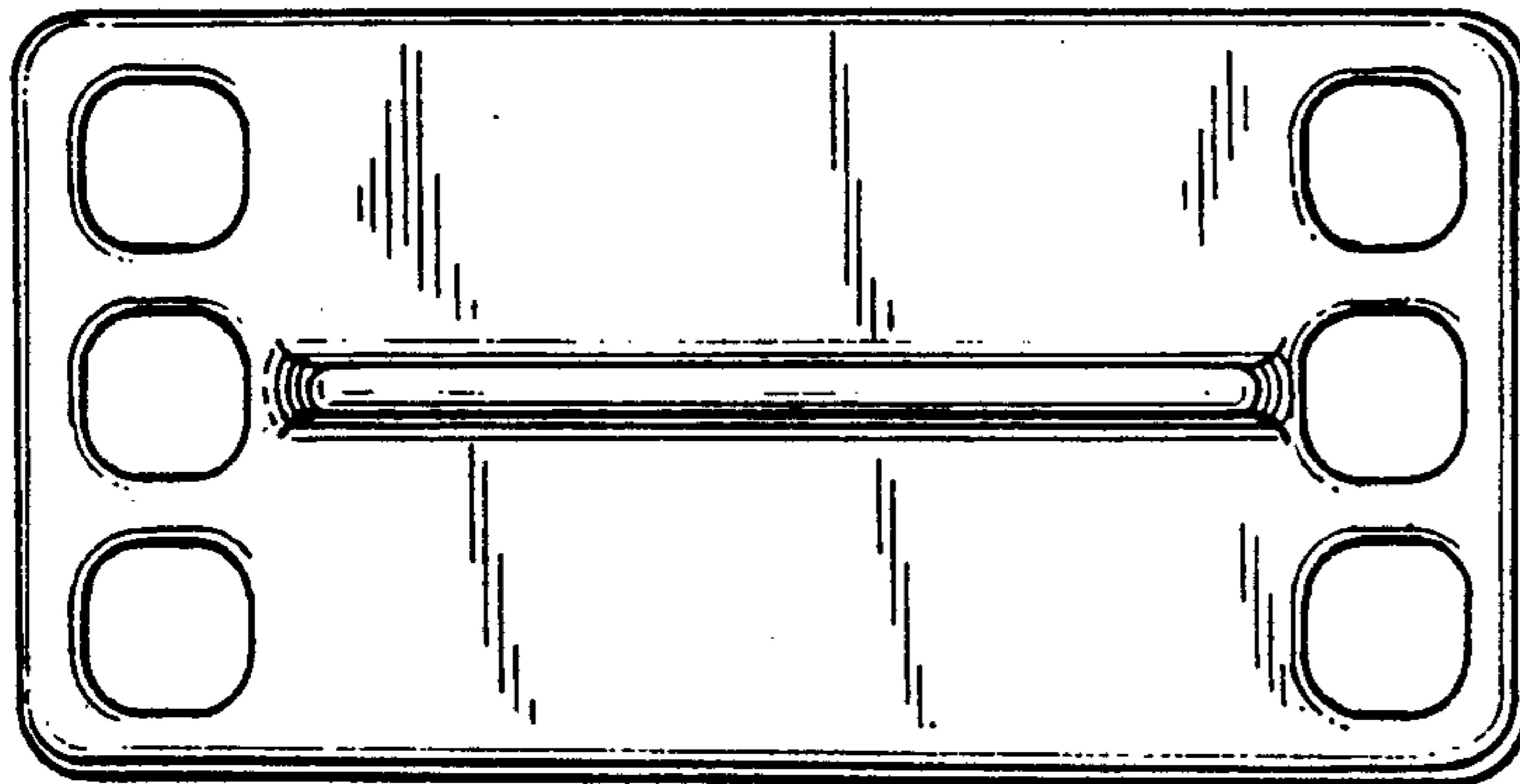


FIG. 7

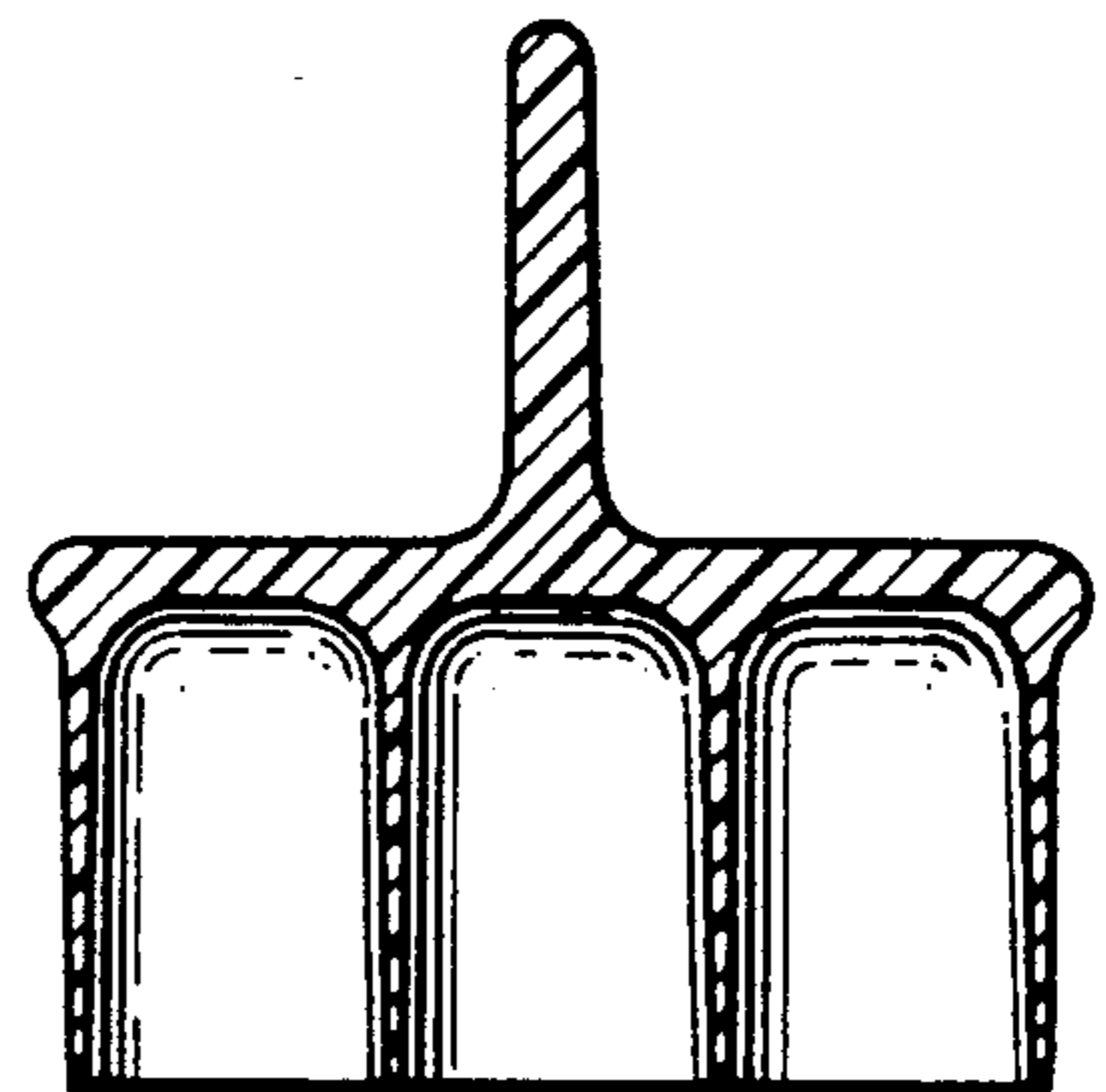


FIG. 6

